



US00D413505S

# United States Patent [19]

Perkins et al.

[11] Patent Number: **Des. 413,505**

[45] Date of Patent: **\*\* Sep. 7, 1999**

[54] **HINGE**

[75] Inventors: **David Perkins**, Brighton; **Brian Perkins**, Malvern; **Robert Mead**, Somerville; **Jon Seddon**, Surrey Hills, all of Australia

[73] Assignee: **George Fethers & Co Trading Pty Ltd**, Australia

[\*\*] Term: **14 Years**

[21] Appl. No.: **29/072,919**

[22] Filed: **Jun. 16, 1997**

[30] **Foreign Application Priority Data**

Dec. 19, 1996 [AU] Australia ..... 4328/96

[51] **LOC (6) Cl.** ..... **08-06**

[52] **U.S. Cl.** ..... **D8/323**

[58] **Field of Search** ..... D8/323, 327, 328; 16/221, 252, 382, 387, DIG. 43

[56] **References Cited**

**U.S. PATENT DOCUMENTS**

D. 265,048 6/1982 Guardia ..... D8/328

D. 372,852 8/1996 Noll et al. .... D8/328  
2,268,669 1/1942 Moore ..... D8/328  
3,231,929 2/1966 Hiltunen et al. .... D8/328  
3,613,150 10/1971 Osborn ..... D8/328  
5,079,798 1/1992 Burke et al. .... 16/252

*Primary Examiner*—B. J. Bullock  
*Attorney, Agent, or Firm*—Larson & Taylor

[57] **CLAIM**

The ornamental design for a hinge, as shown and described.

**DESCRIPTION**

FIG. 1 is a side view of the hinge, the opposite side being a mirror image;

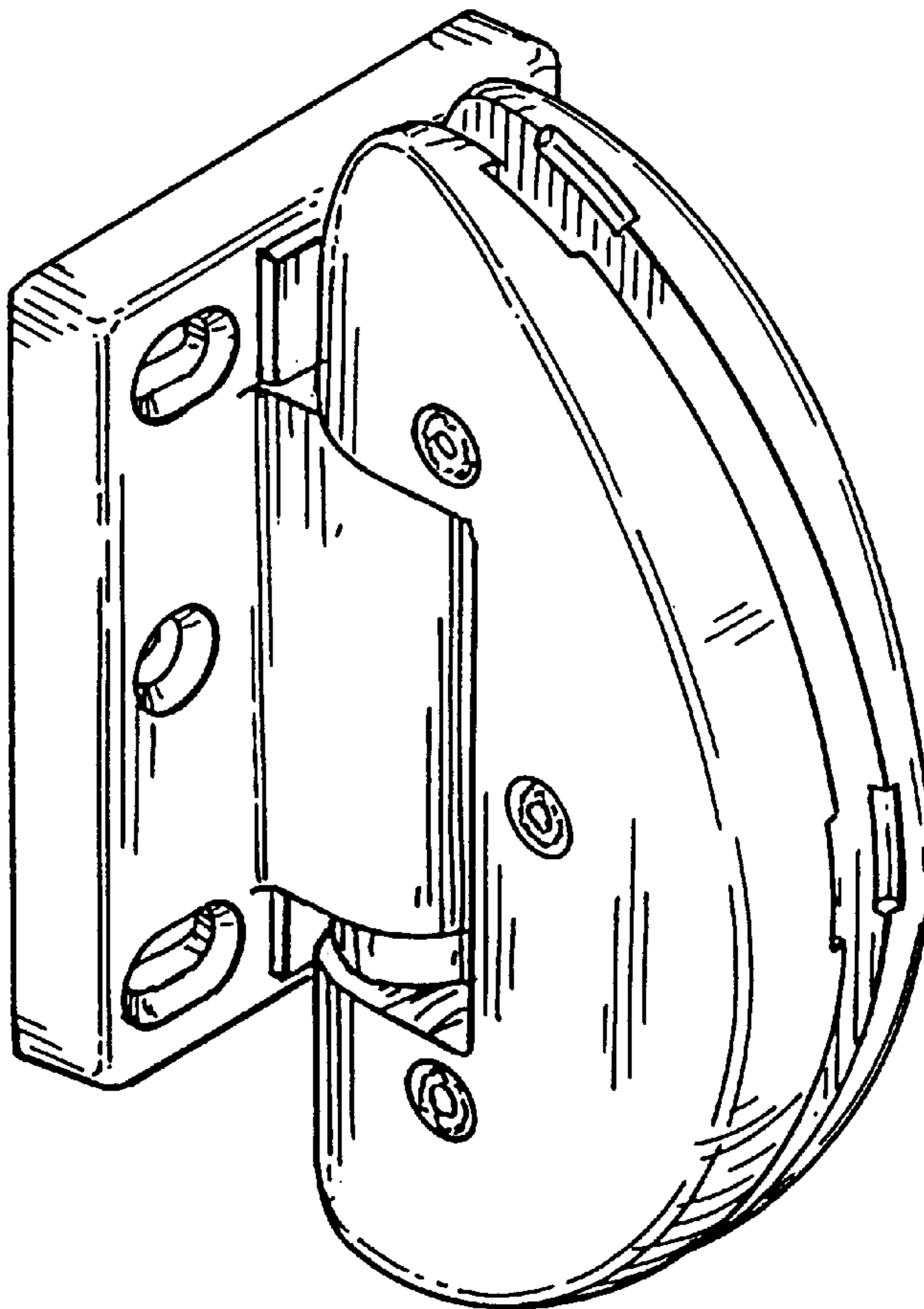
FIG. 2 is a front view thereof;

FIG. 3 is a top view thereof, the bottom being a mirror image;

FIG. 4 is a rear view thereof; and,

FIG. 5 is a perspective view thereof.

**1 Claim, 2 Drawing Sheets**



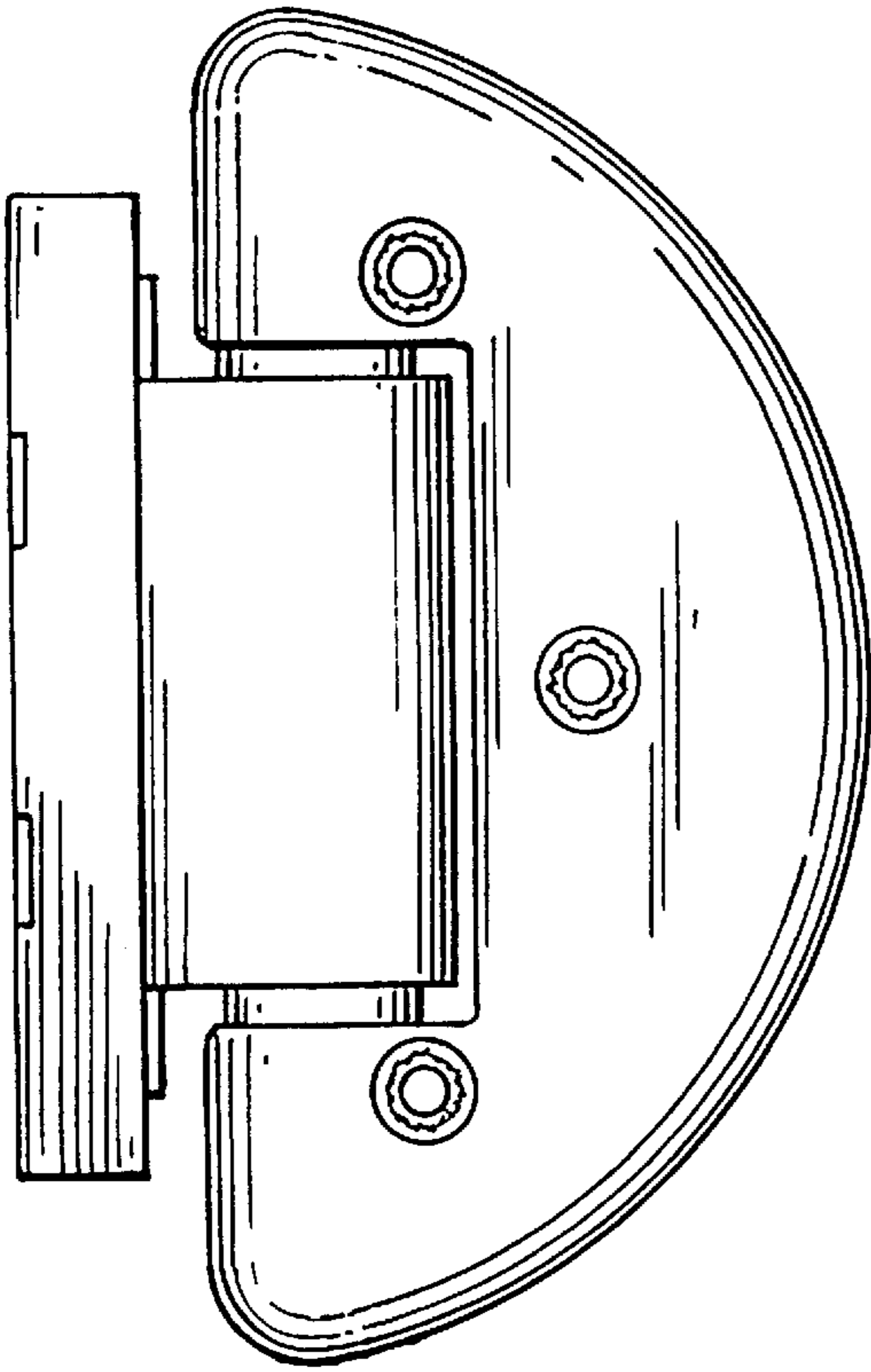


FIG. 1

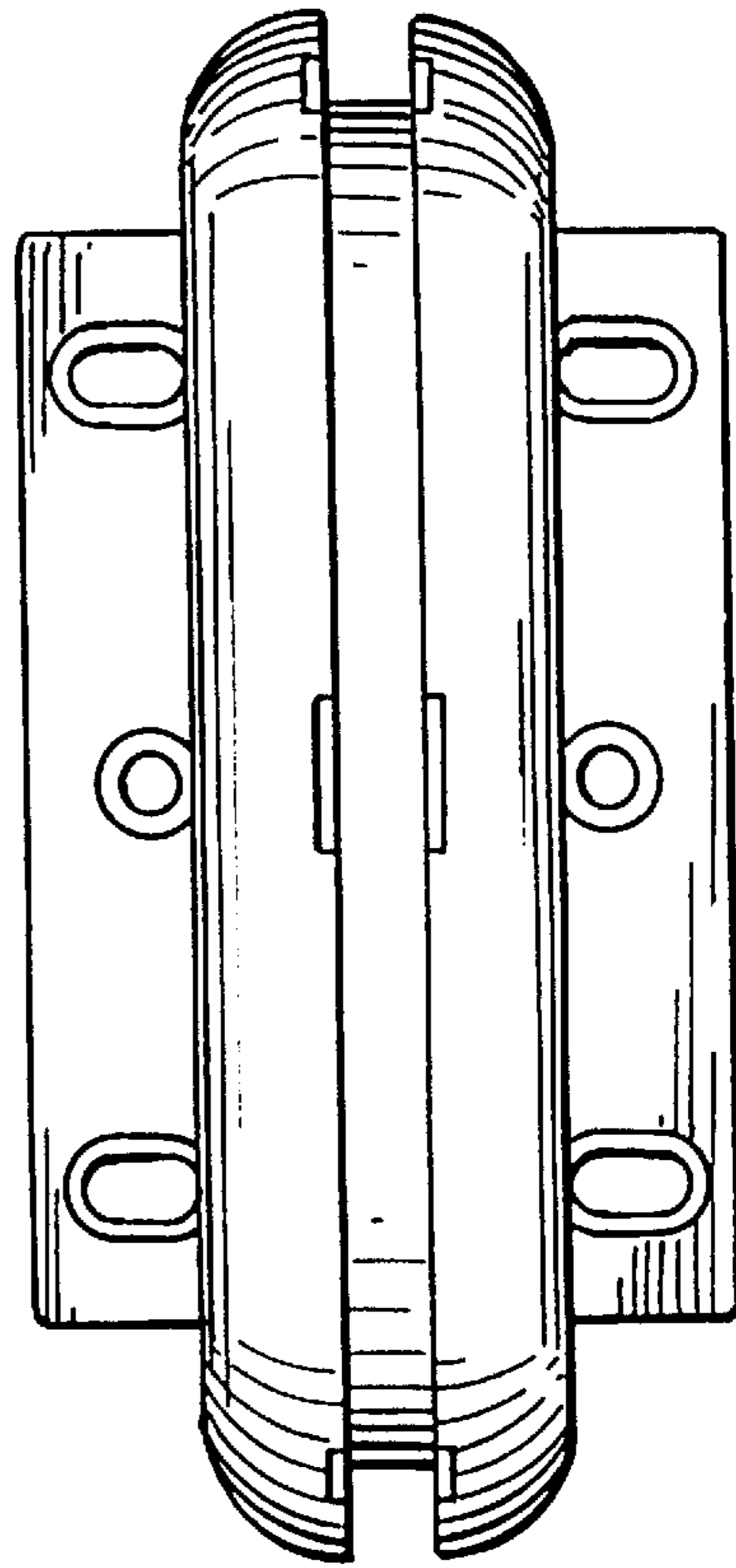


FIG. 2

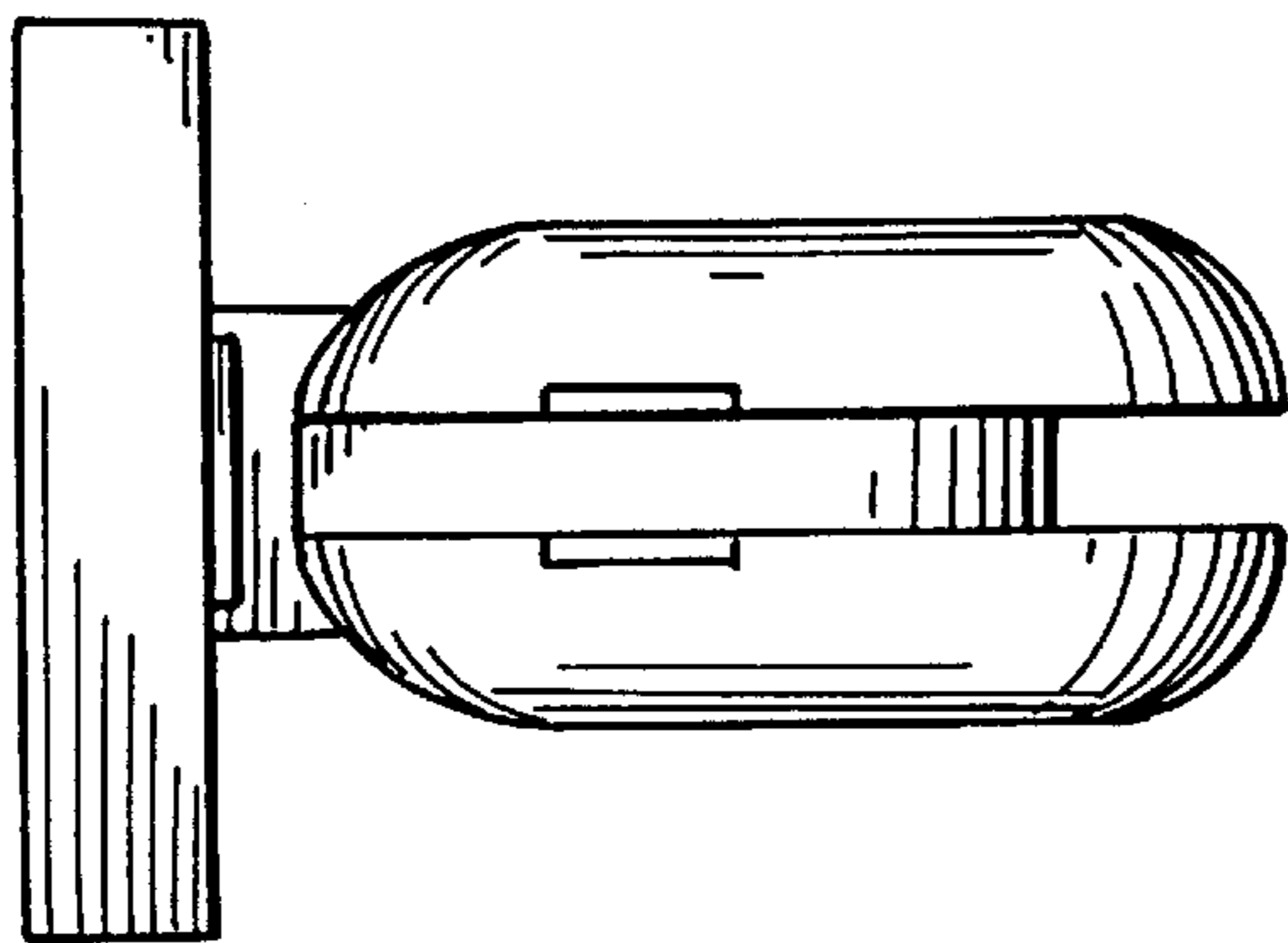


FIG. 3

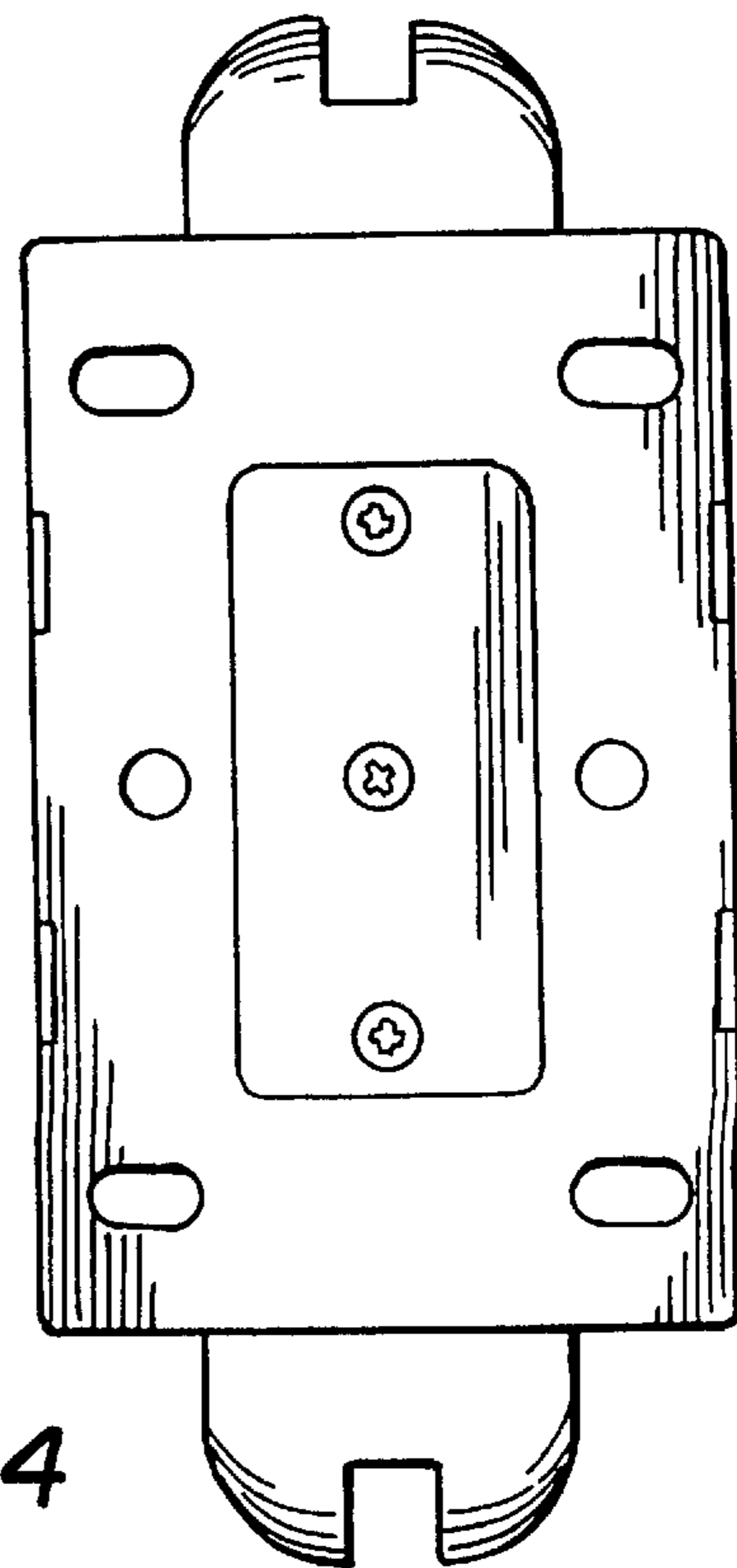
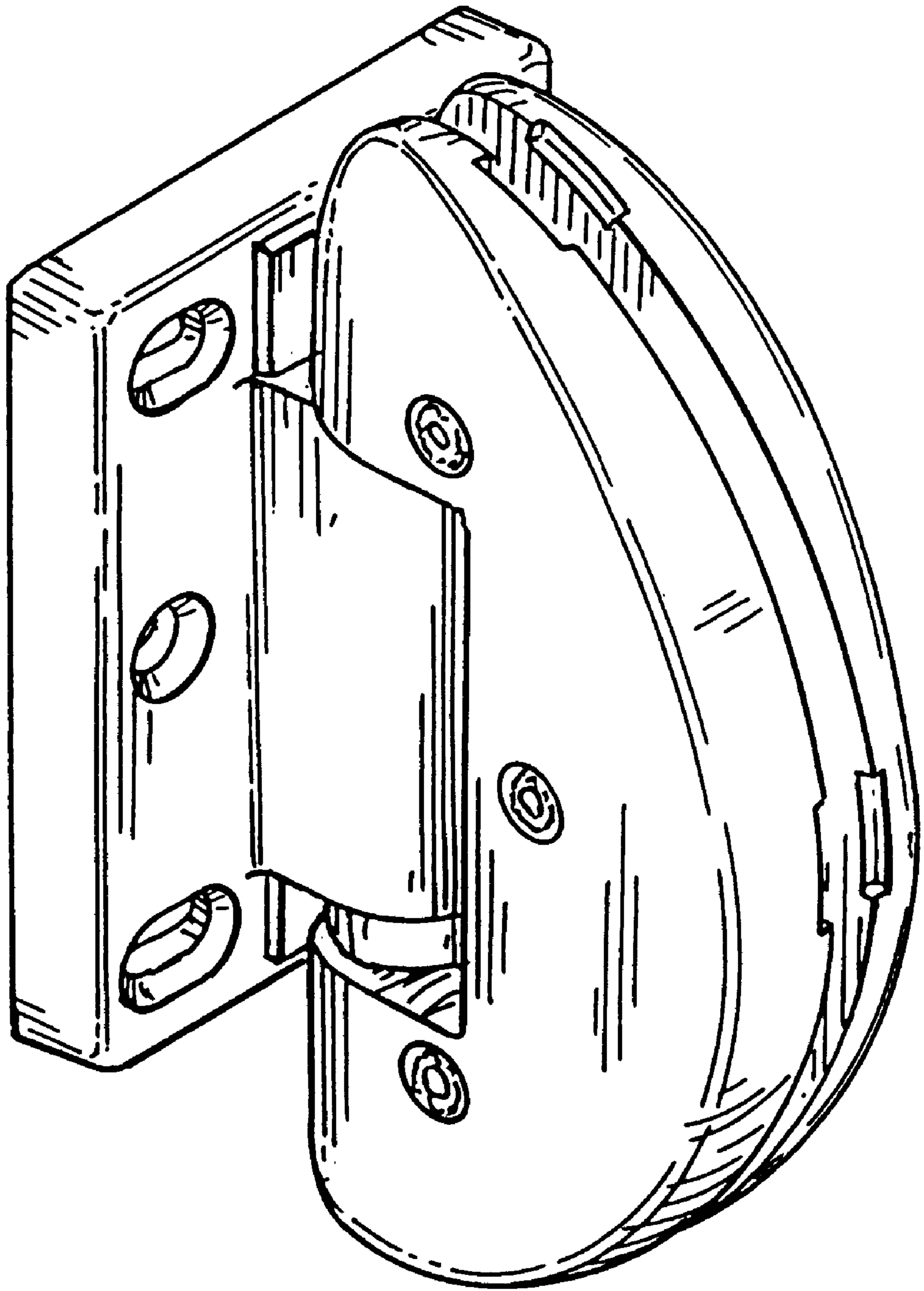


FIG. 4



**FIG. 5**