



US00D413502S

United States Patent [19] Chang

[11] Patent Number: Des. 413,502

[45] Date of Patent: ** Sep. 7, 1999

[54] **HOLDER FOR A WELDING TORCH OR A GLUE GUN**

D. 307,105 4/1990 Nusse et al. D8/71
4,910,385 3/1990 Shye-long 219/242 X
5,472,133 12/1995 Lin 219/242

[76] Inventor: **Chun Yuan Chang**, 5F-1, No. 81, Sec. 2, Chern Der Road, Taipei, Taiwan

Primary Examiner—Terry A. Wallace

[**] Term: **14 Years**

[57] **CLAIM**

[21] Appl. No.: **29/093,757**

The ornamental design for a holder for a welding torch or a glue gun, as shown and described.

[22] Filed: **Sep. 17, 1998**

DESCRIPTION

[51] **LOC (6) Cl.** **08-05**

[52] **U.S. Cl.** **D8/71**

[58] **Field of Search** D8/71, 14.1, 30;
211/70, 70.1, 70.8; 219/242, 259; 222/173;
248/117.1-117.7, 176.1, 176.2

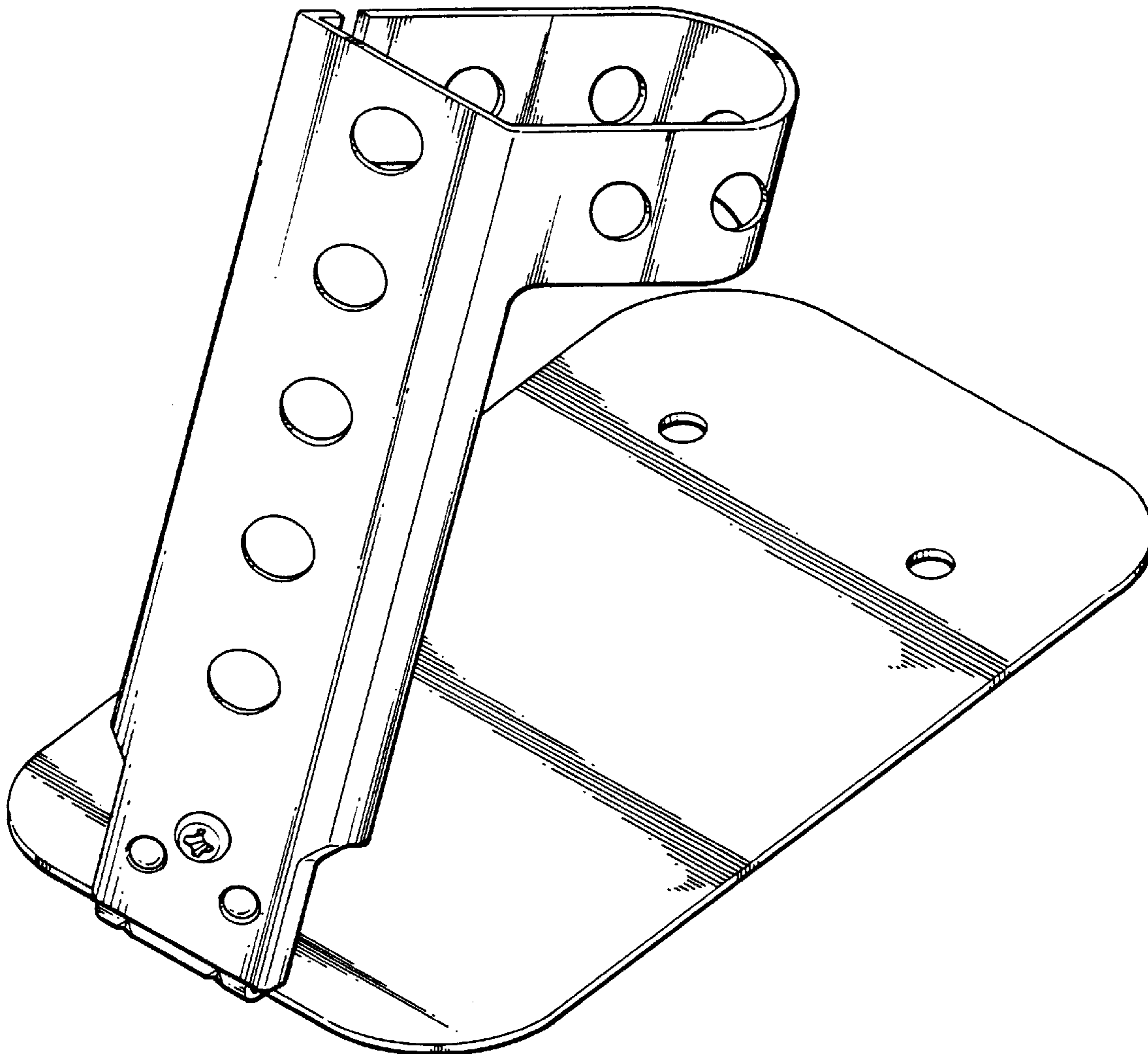
FIG. 1 is a perspective view of a holder for a welding torch or glue gun showing my new design;
FIG. 2 is a front elevational view thereof;
FIG. 3 is a rear elevational view thereof;
FIG. 4 is a top plan view thereof;
FIG. 5 is a bottom plan view thereof;
FIG. 6 is a left side elevational view thereof; and,
FIG. 7 is a right side elevational view thereof.

[56] **References Cited**

U.S. PATENT DOCUMENTS

D. 262,862 2/1982 Lytle D8/71
D. 290,221 6/1987 Wilson et al. D8/71

1 Claim, 4 Drawing Sheets



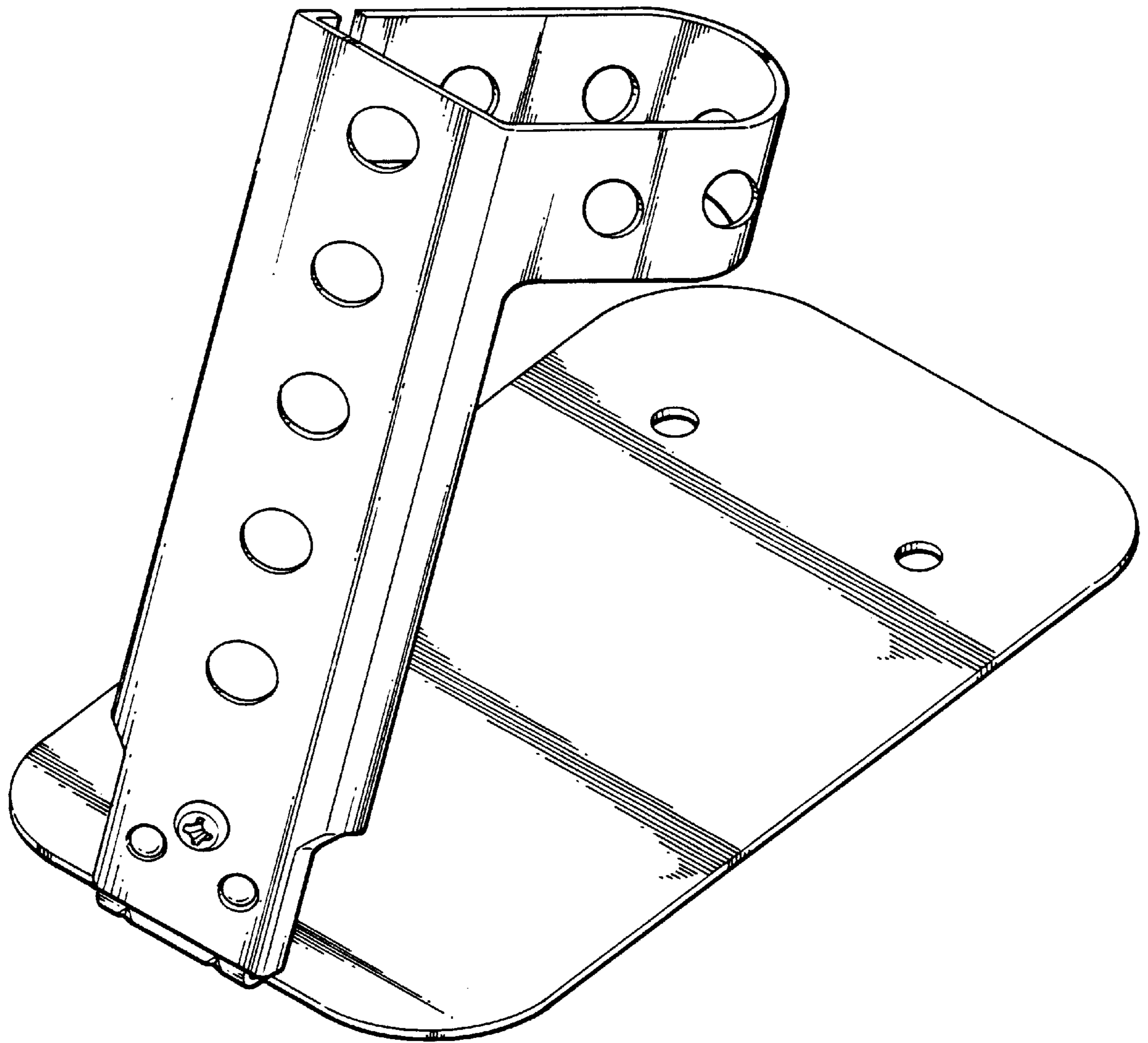


FIG. 1

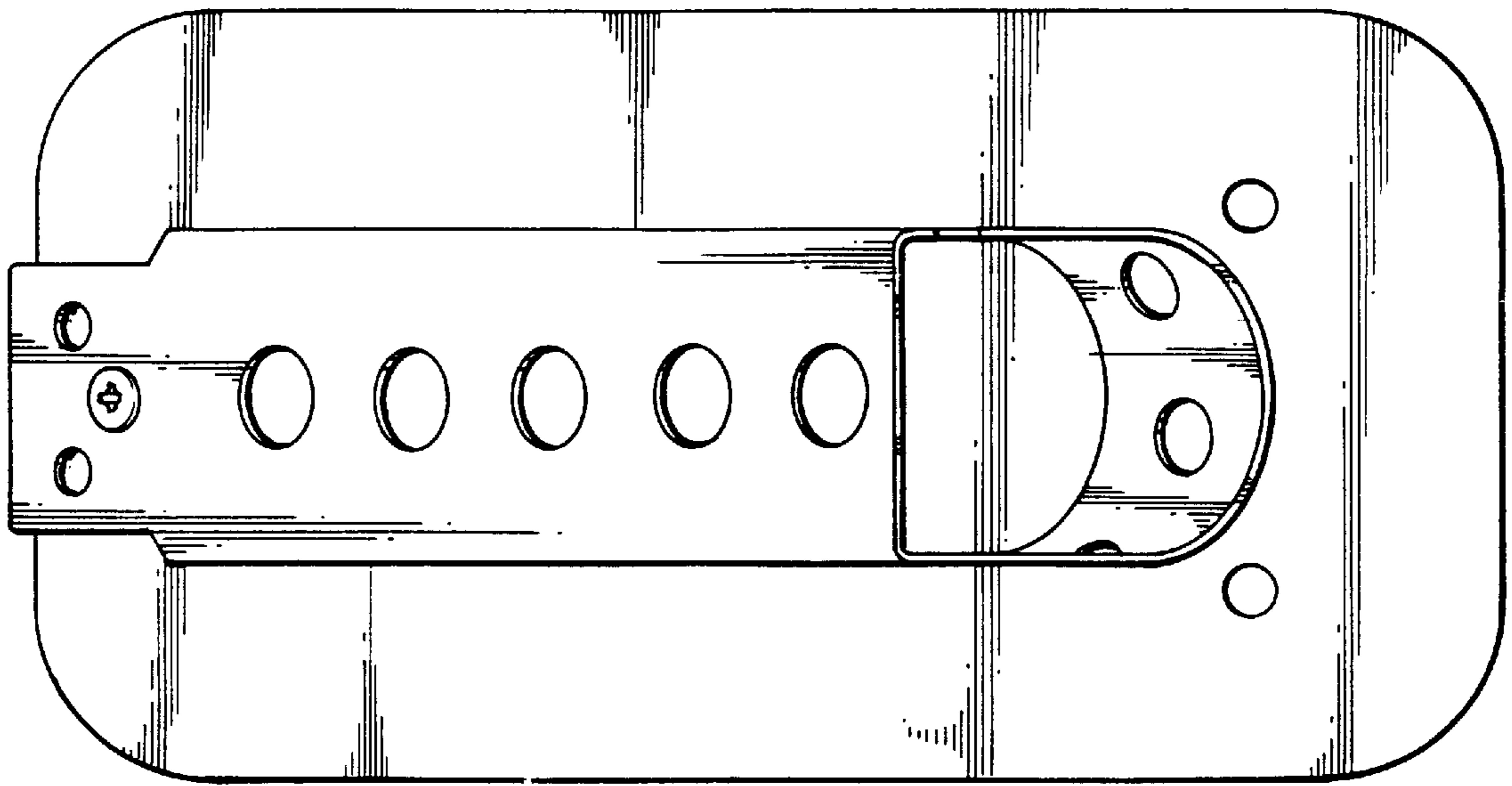


FIG. 4

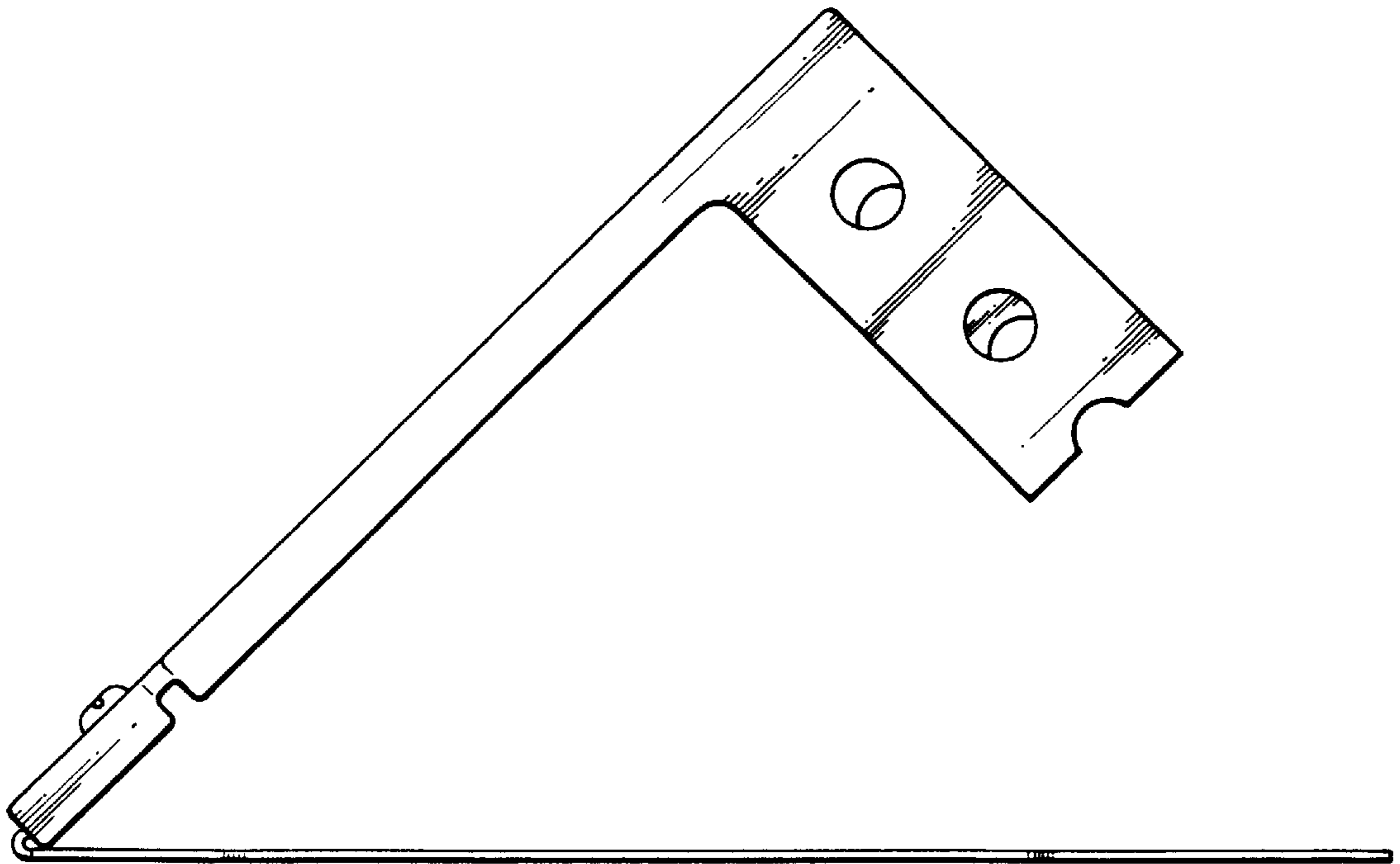


FIG. 2

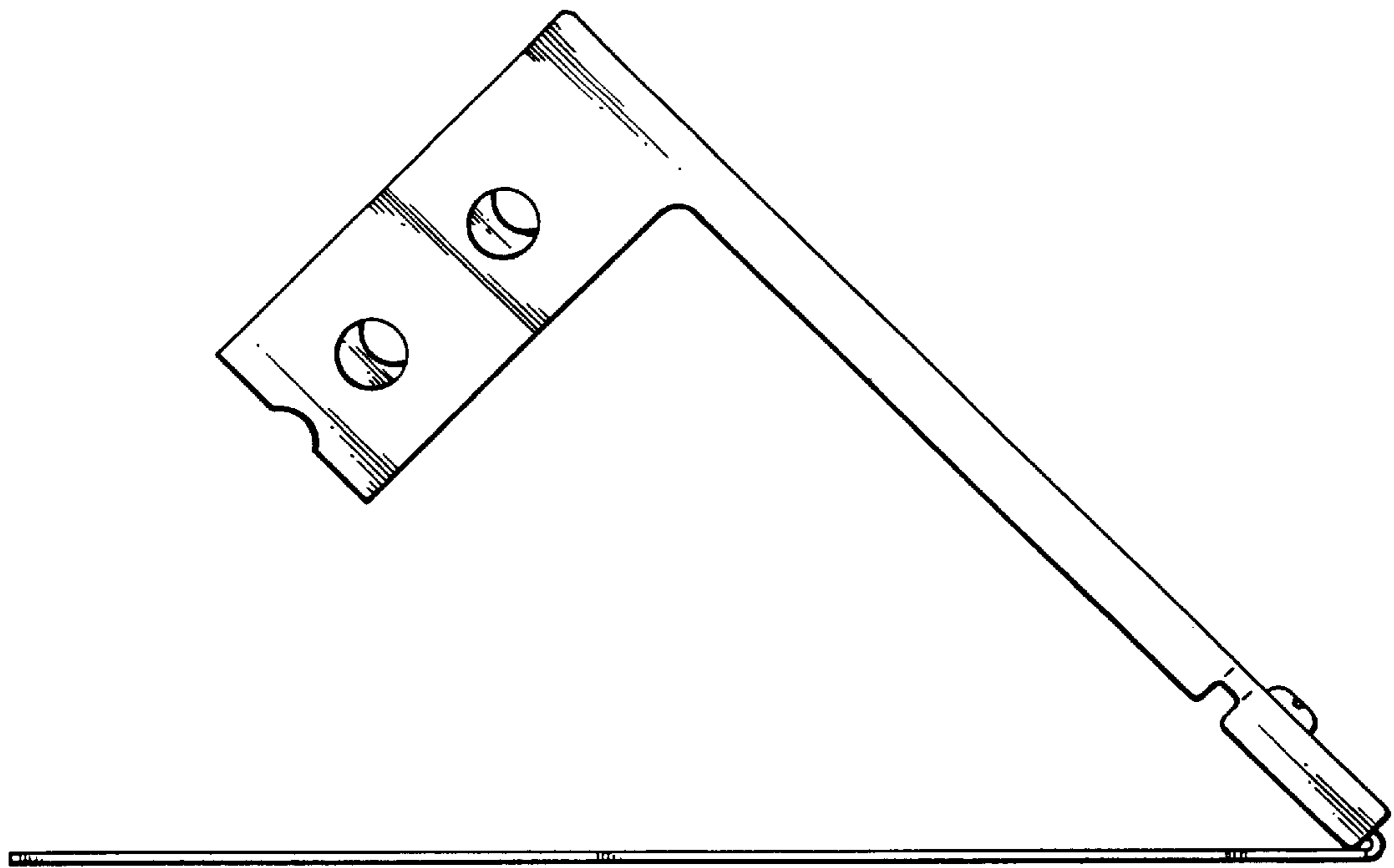


FIG. 3

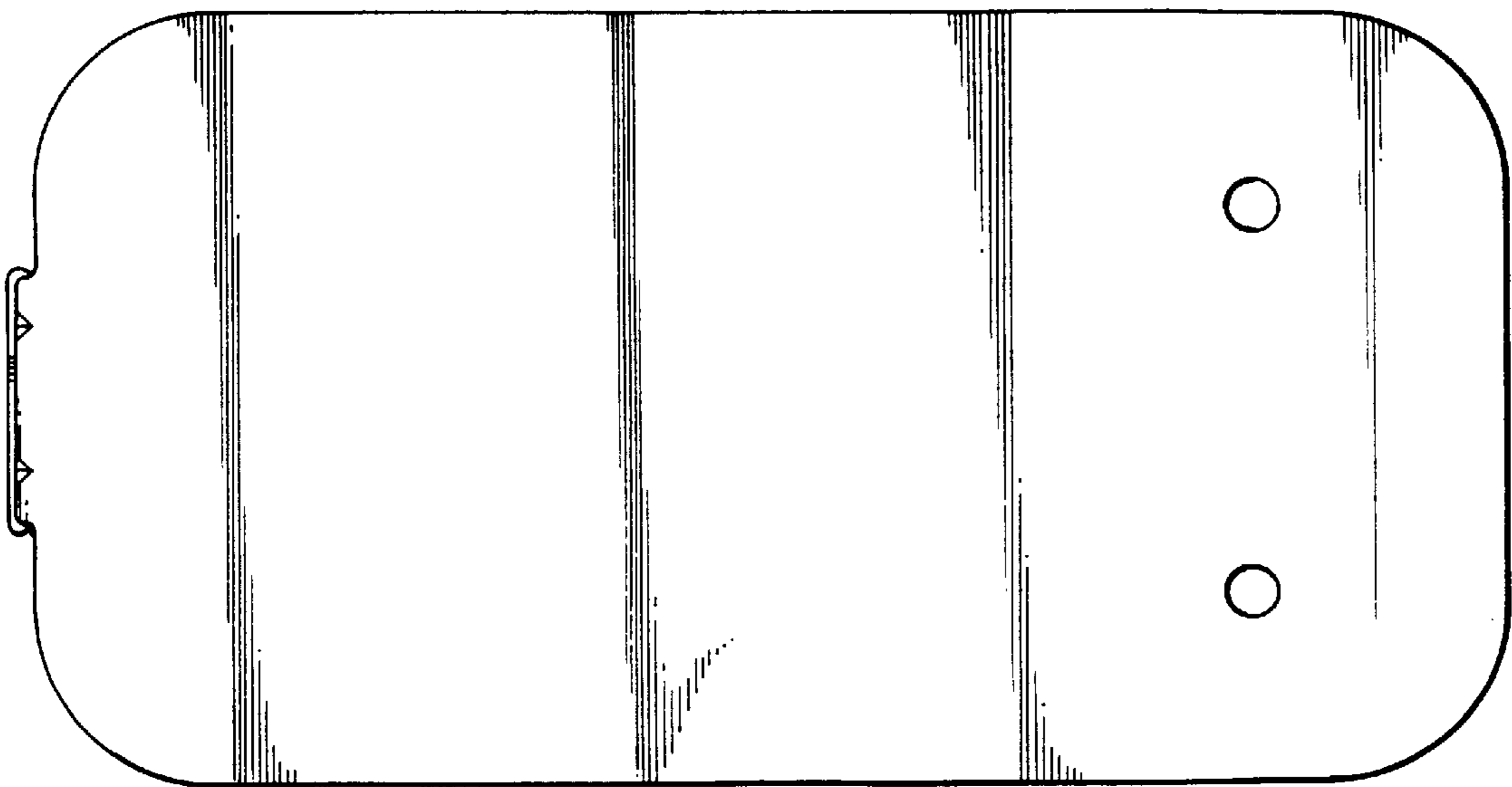


FIG. 5

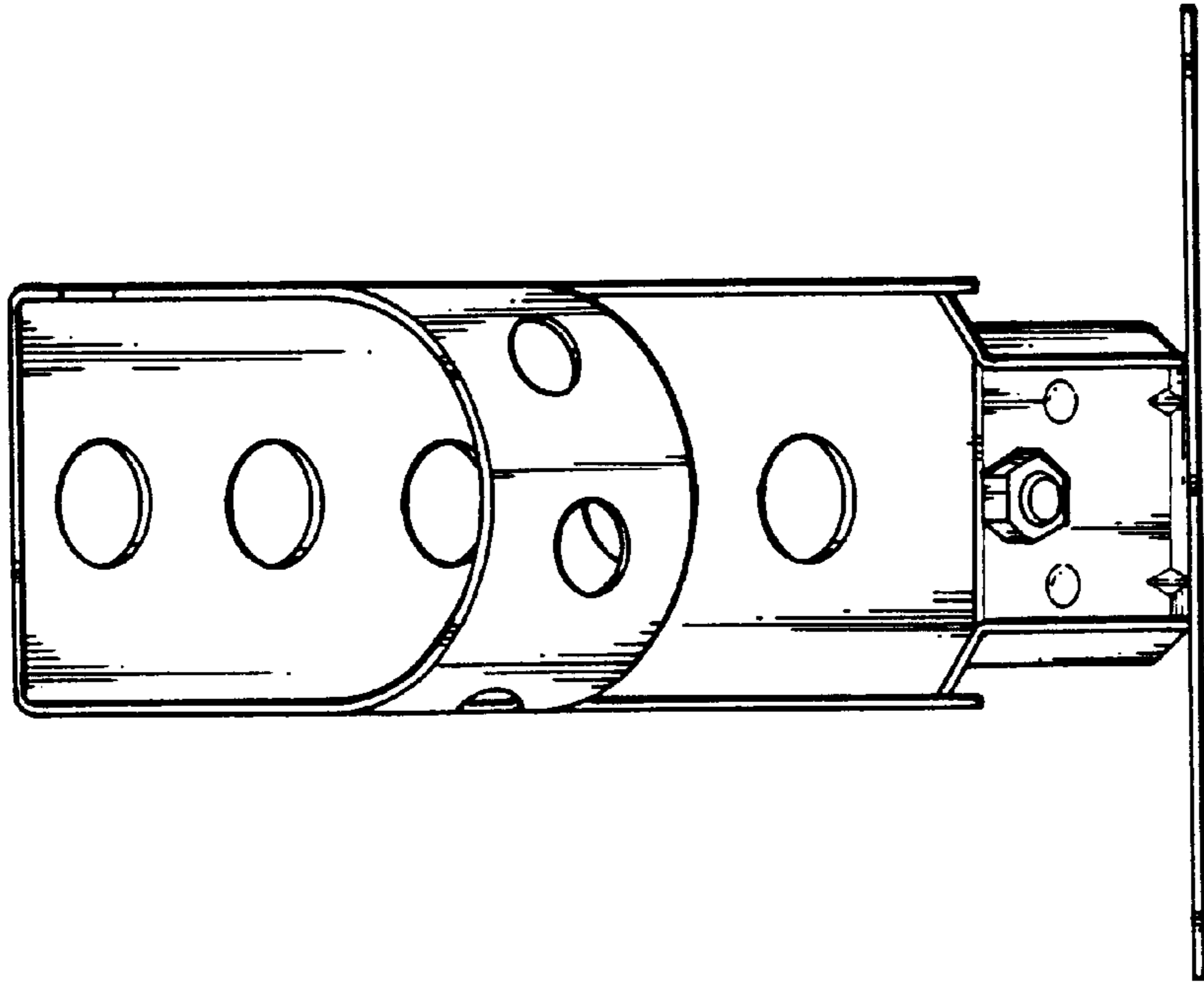


FIG. 7

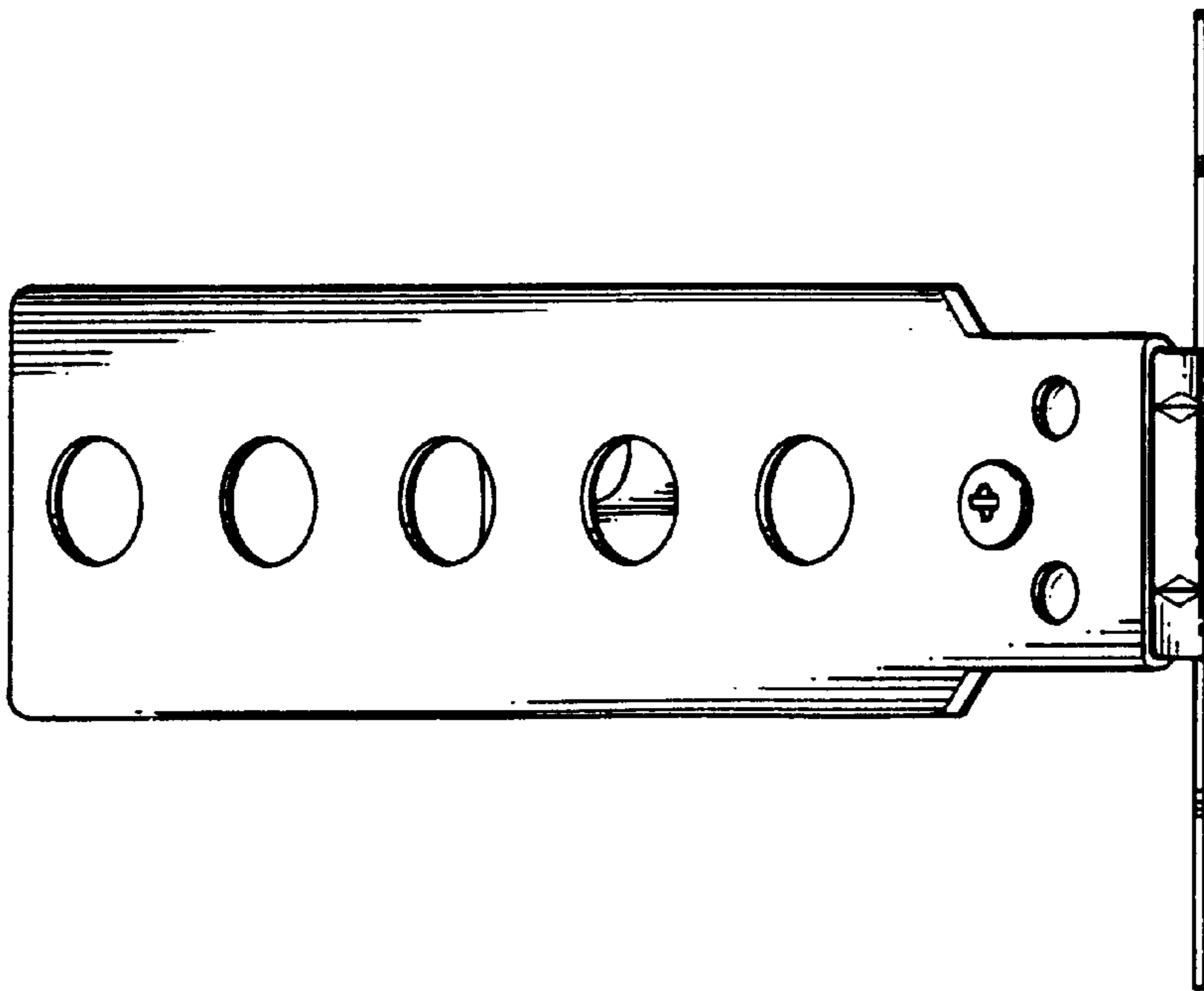


FIG. 6