



US00D413499S

United States Patent [19]

Anderson et al.

[11] Patent Number: **Des. 413,499**

[45] Date of Patent: **** Sep. 7, 1999**

[54] **PORTION OF A FOLDED TOOL INCLUDING A CORKSCREW AND A BOTTLE OPENER**

[75] Inventors: **Craig J. Anderson**, Gresham;
Benjamin C. Rivera, West Linn, both of Oreg.

[73] Assignee: **Leatherman Tool Group, Inc.**,
Portland, Oreg.

[**] Term: **14 Years**

[21] Appl. No.: **29/099,871**

[22] Filed: **Jan. 29, 1999**

[51] **LOC (6) Cl.** **07-06**

[52] **U.S. Cl.** **D8/34; D8/40; D8/42; D8/43; D8/105**

[58] **Field of Search** **D8/33-43, 18, D8/19; 30/400-443; 81/3.07-3.49; 7/151-156**

[56] **References Cited**

U.S. PATENT DOCUMENTS

D. 347,775	6/1994	Seiler	D8/34
D. 392,519	3/1998	Hung	D8/105
D. 393,993	5/1998	De Bergen	D8/43
D. 398,213	9/1998	Rivera	D8/105
455,826	7/1891	Davis	7/155
637,048	11/1899	Toulotte	81/3.35
1,248,608	12/1917	Brown	81/3.35
1,273,026	7/1918	Brown	81/3.35
1,695,098	12/1928	Hiering	81/3.35

2,798,290	7/1957	Bassett	30/408 X
3,451,076	6/1969	Denver	D8/42 X
4,437,359	3/1984	Dejoux et al.	7/154 X
5,007,310	4/1991	Cellini	81/3.45
5,454,282	10/1995	Del Mistro	81/3.48
5,829,965	11/1998	Rubalcava	7/151 X

Primary Examiner—Jeffrey Asch
Attorney, Agent, or Firm—Chernoff, Vilhauer, McClung & Stenzel, LLP

[57] **CLAIM**

The ornamental design for a portion of a folded tool including a corkscrew and a bottle opener, as shown and described.

DESCRIPTION

FIG. 1 is an isometric view from the upper left front of a portion of a folded tool including a corkscrew and a bottle opener showing our new design, wherein the material shown in broken lines is for illustrative purposes and forms no part of the claimed design;

FIG. 2 is an isometric view from the upper left front of the portion of a folded tool including a corkscrew and a bottle opener shown in FIG. 1;

FIG. 3 is a top plan view thereof;

FIG. 4 is a left side elevational view thereof;

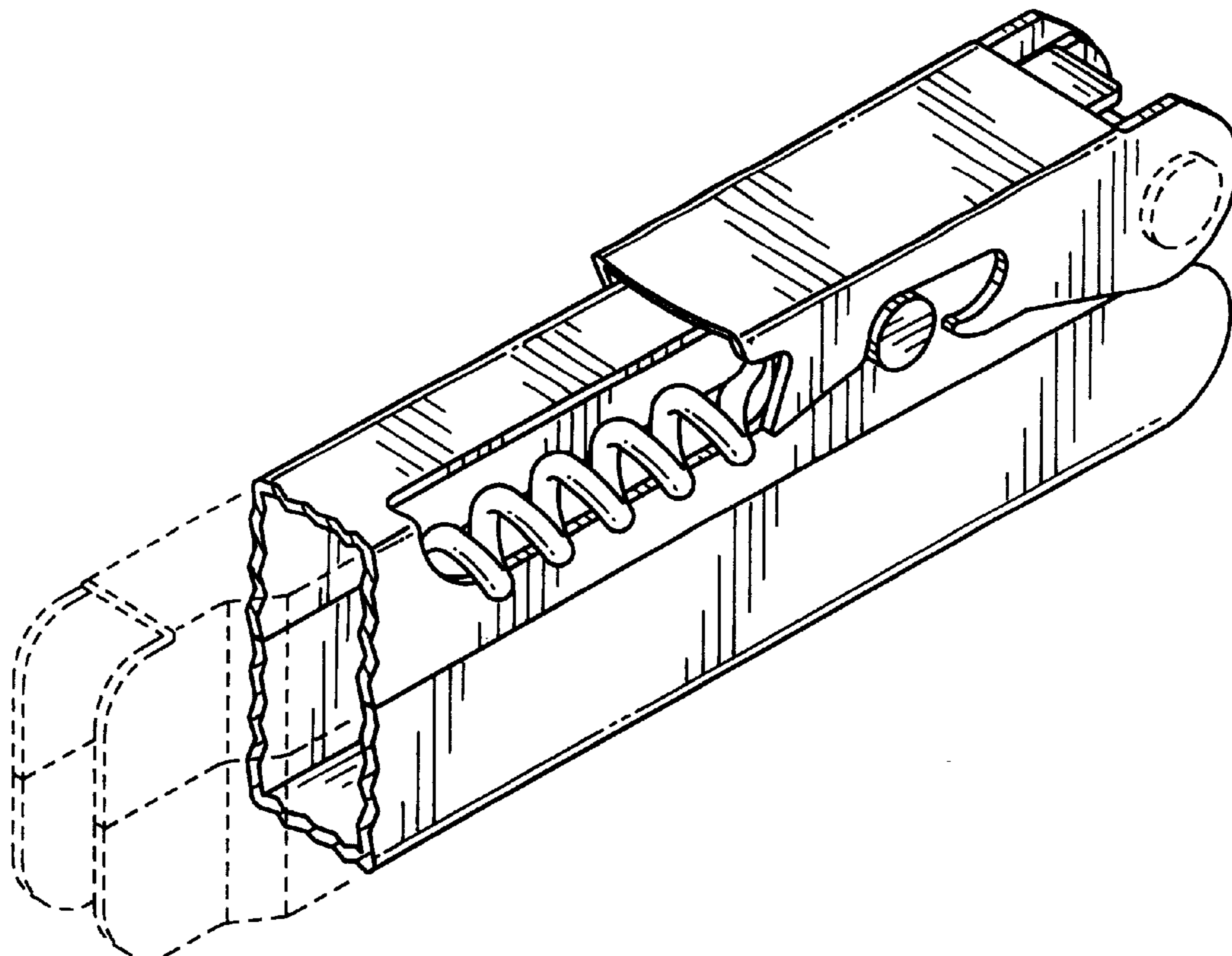
FIG. 5 is a bottom plan view thereof;

FIG. 6 is a right side elevational view thereof;

FIG. 7 is a front end elevational view thereof; and,

FIG. 8 is a rear end elevational view thereof.

1 Claim, 2 Drawing Sheets



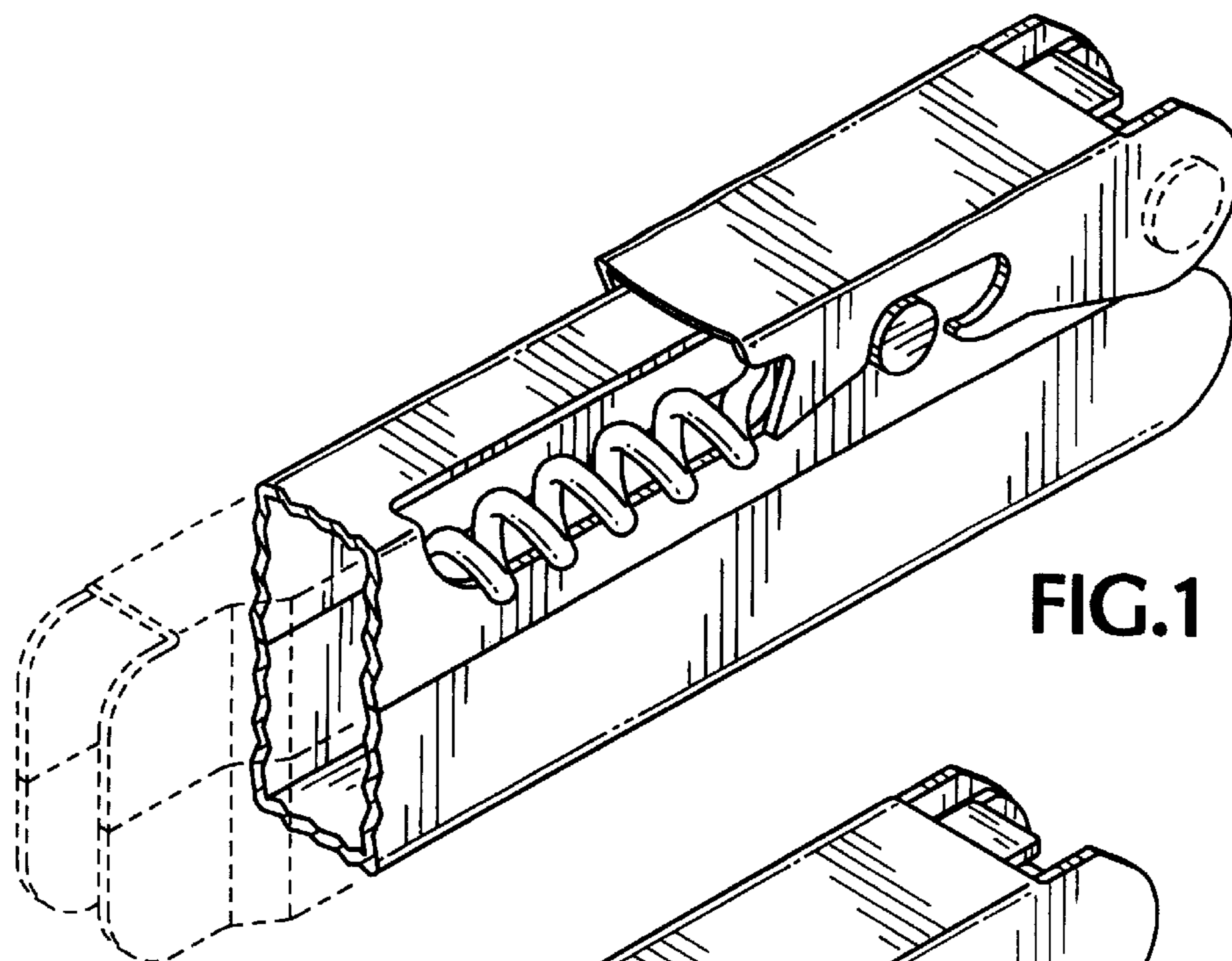


FIG. 1

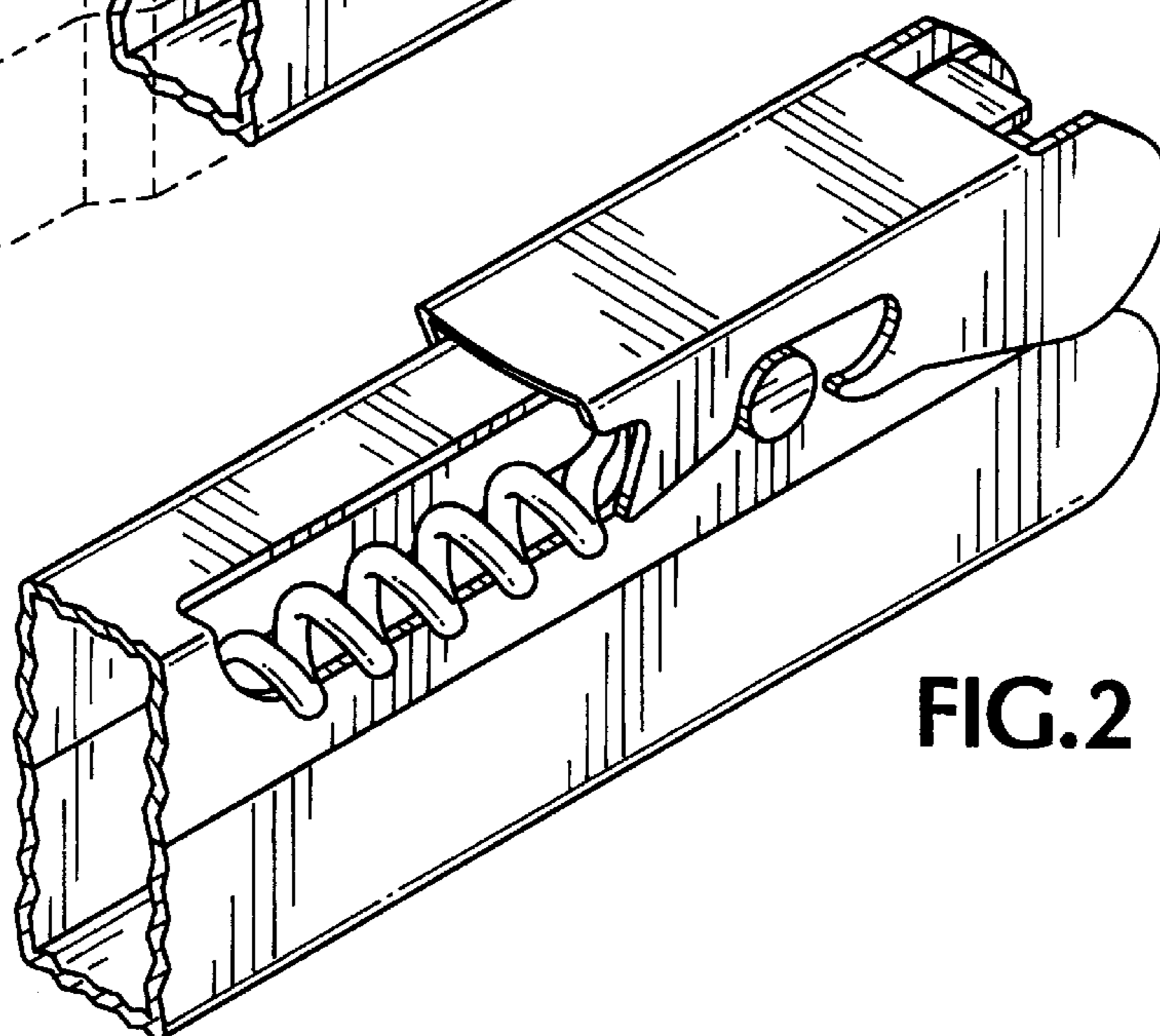


FIG. 2

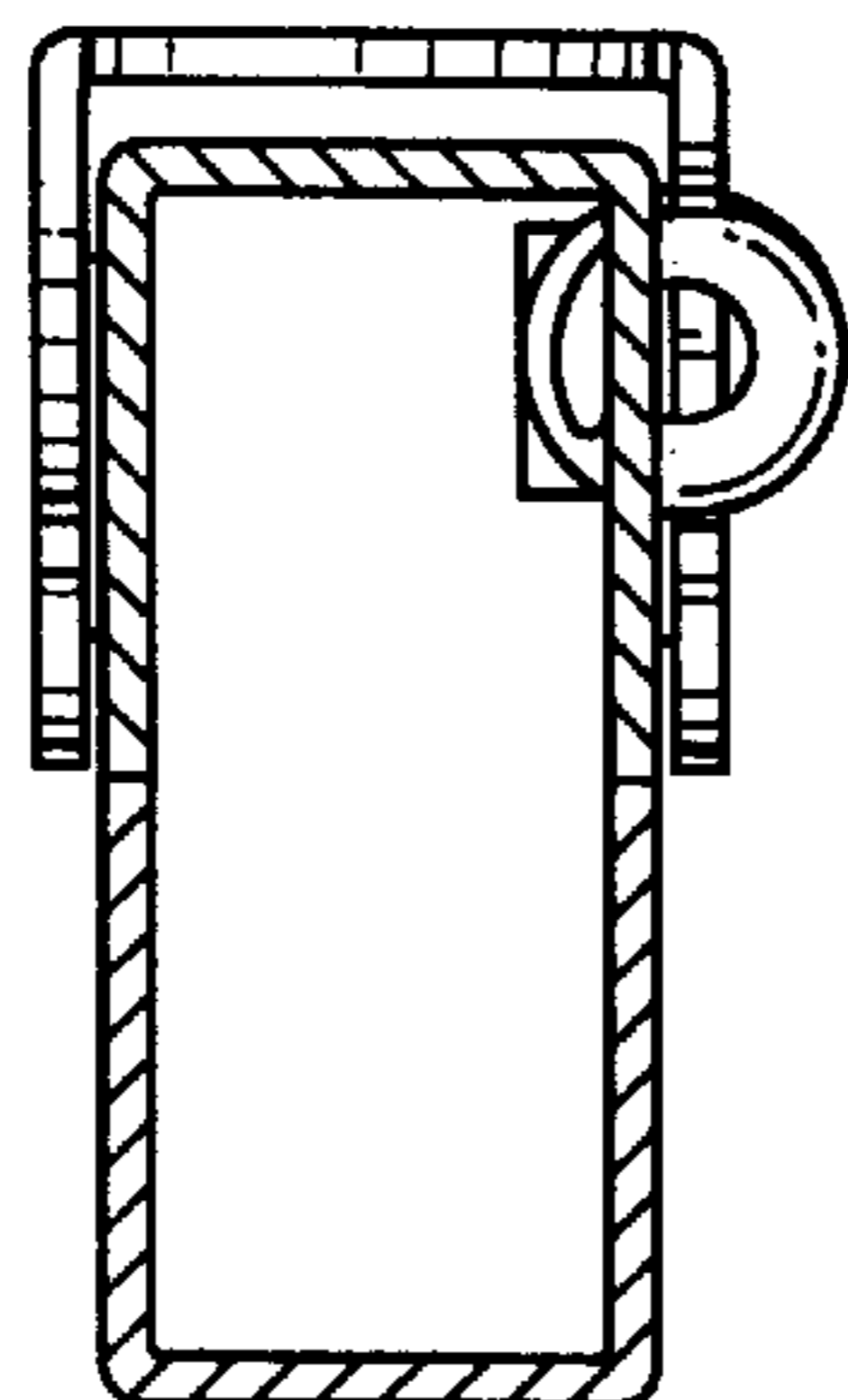


FIG. 7

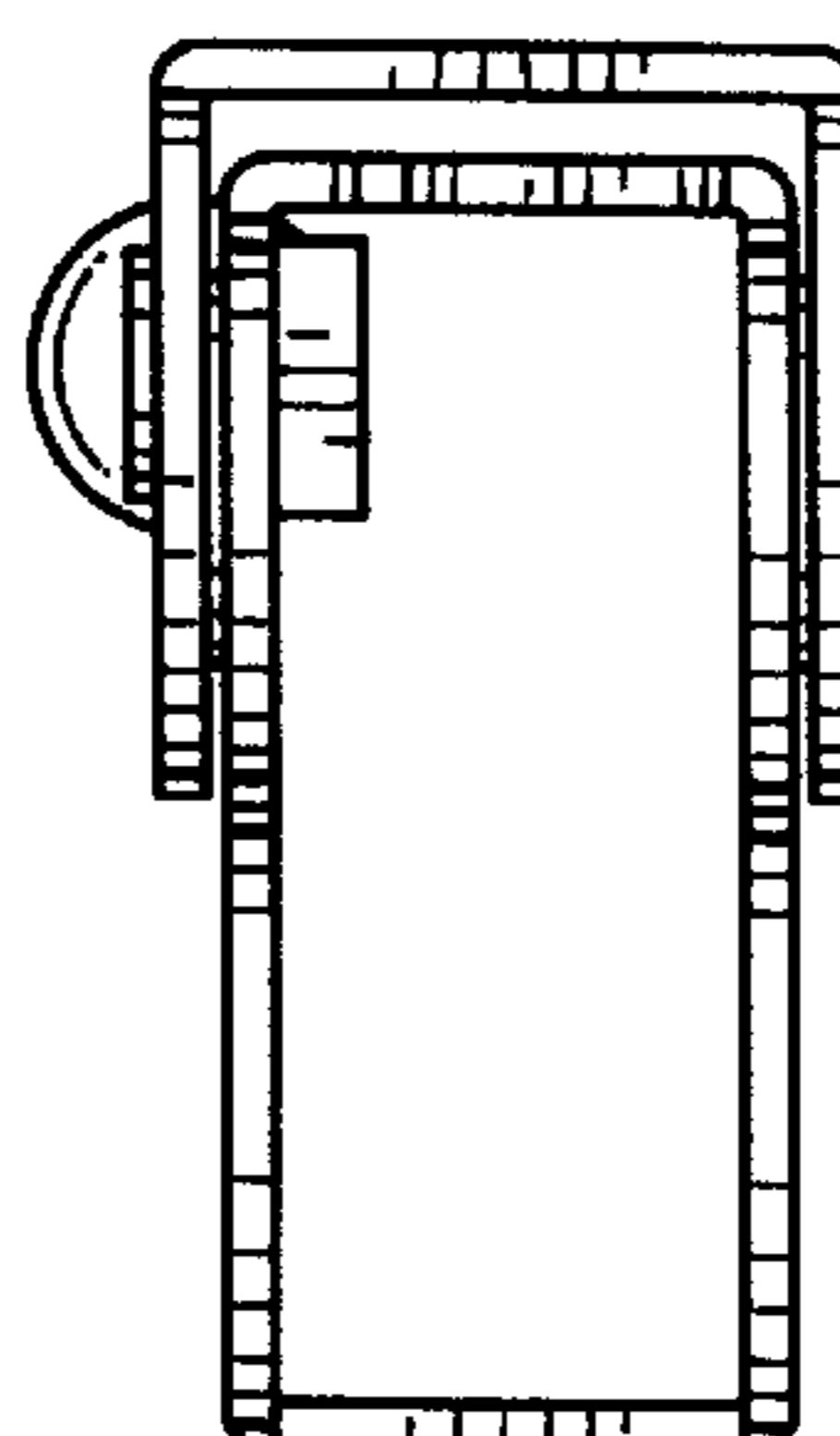


FIG. 8

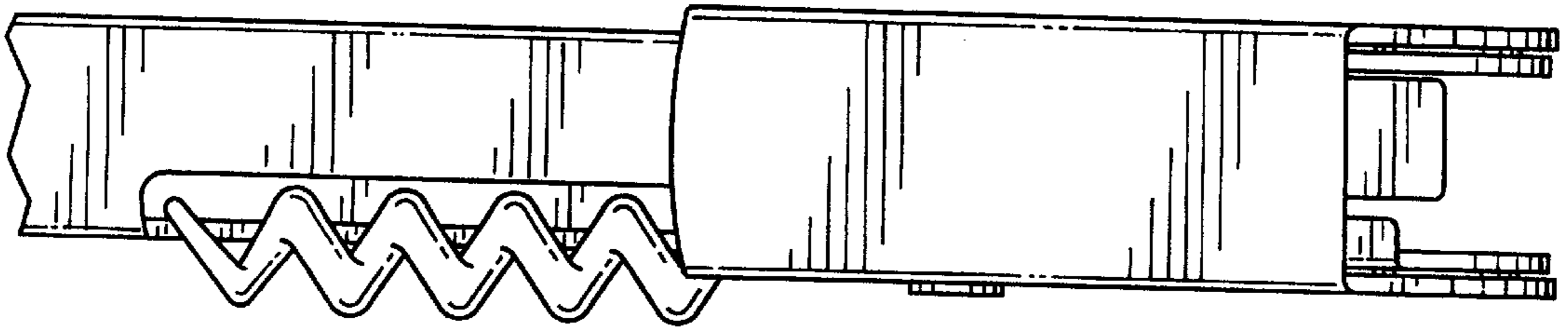


FIG.3

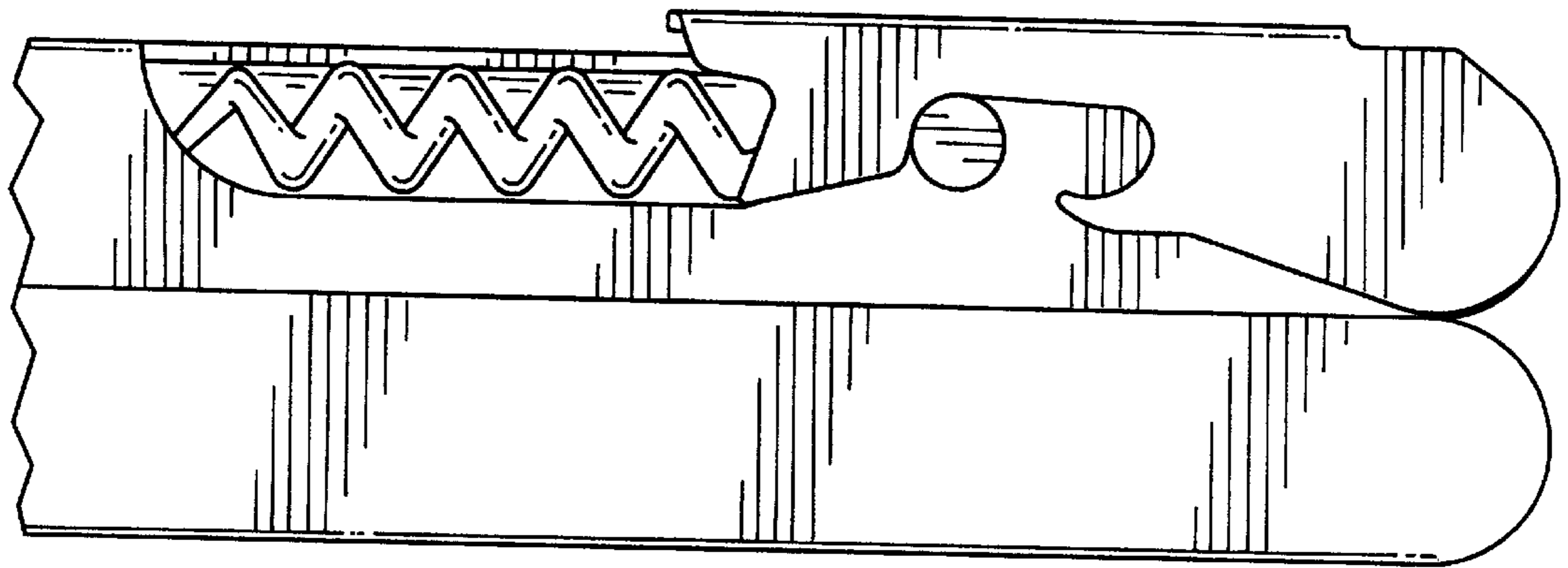


FIG.4

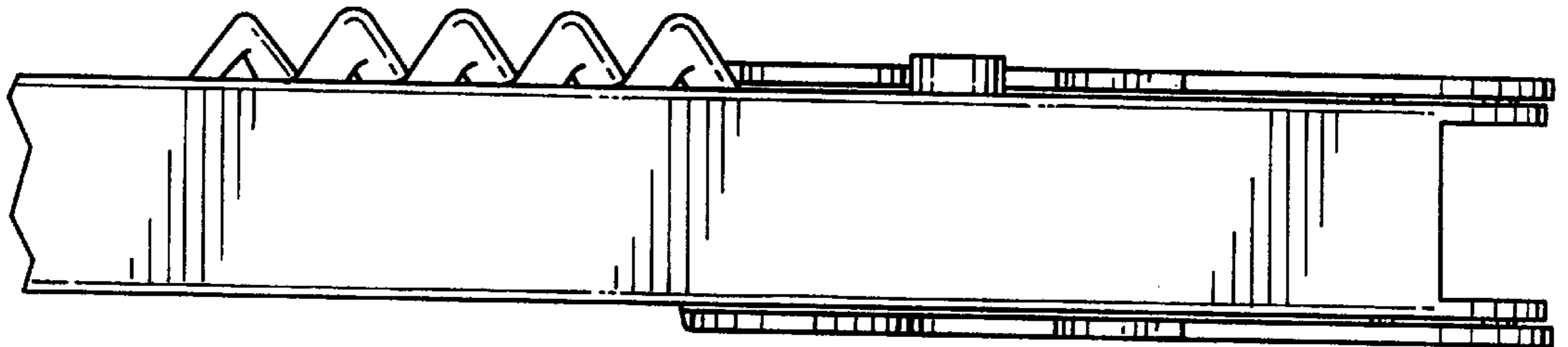


FIG.5

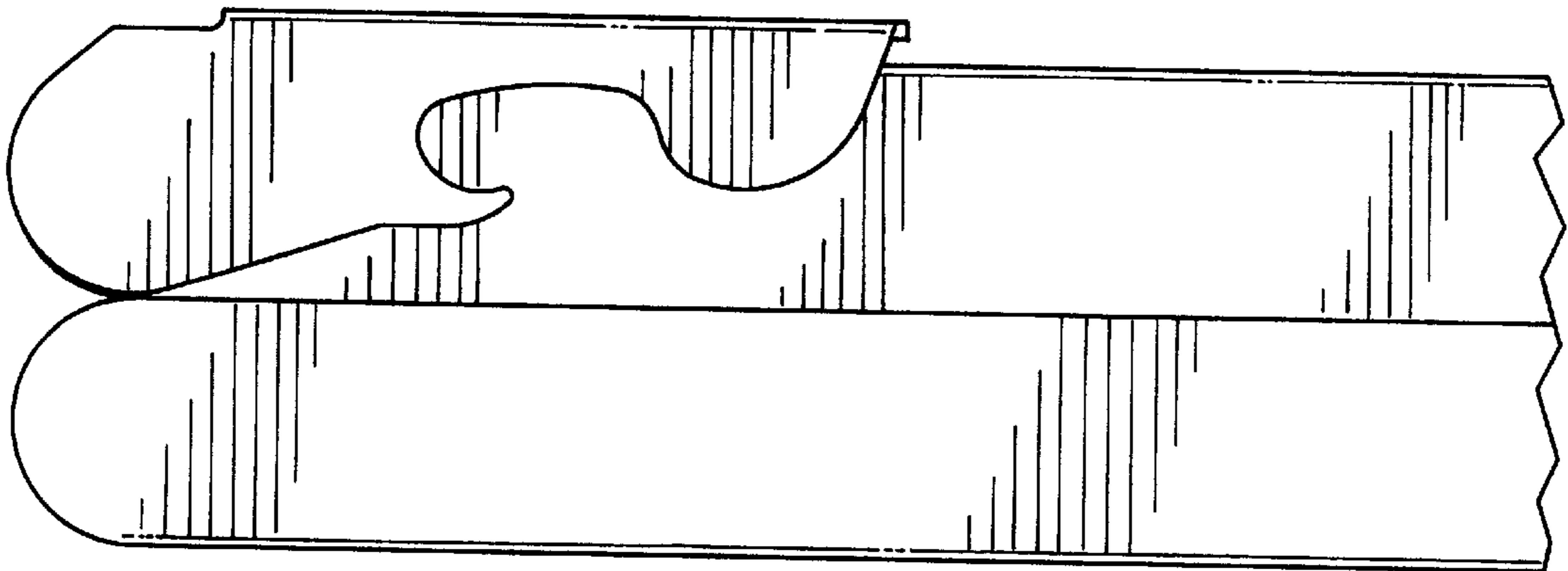


FIG.6