



US00D413490S

United States Patent [19] Pinkas

[11] **Patent Number: Des. 413,490**

[45] **Date of Patent: ** Sep. 7, 1999**

[54] **NAPKIN HOLDER**

D. 190,511 6/1961 D'Arbeloff D7/631
D. 310,767 9/1990 Minuti D7/631

[76] Inventor: **Anita Avolio Pinkas**, 2342 Upper
Barness Rd., Warrington, Pa. 18976

Primary Examiner—Terry A. Wallace
Attorney, Agent, or Firm—Sperry, Zoda & Kane

[**] Term: **14 Years**

[57] **CLAIM**

[21] Appl. No.: **29/091,822**

The ornamental design for a napkin holder, as shown.

[22] Filed: **Aug. 6, 1998**

DESCRIPTION

[51] **LOC (6) Cl.** **07-06**

FIG. 1 is a front perspective view embodying my new design;

[52] **U.S. Cl.** **D7/634**

FIG. 2 is a top plan view;

[58] **Field of Search** D7/631, 632, 634;
D19/75, 78, 86, 90, 91; 206/449; 211/41.1,
41.2, 41.3, 49.1, 50

FIG. 3 is a front plan view;

FIG. 4 is a side plan view;

FIG. 5 is a rear plan view; and,

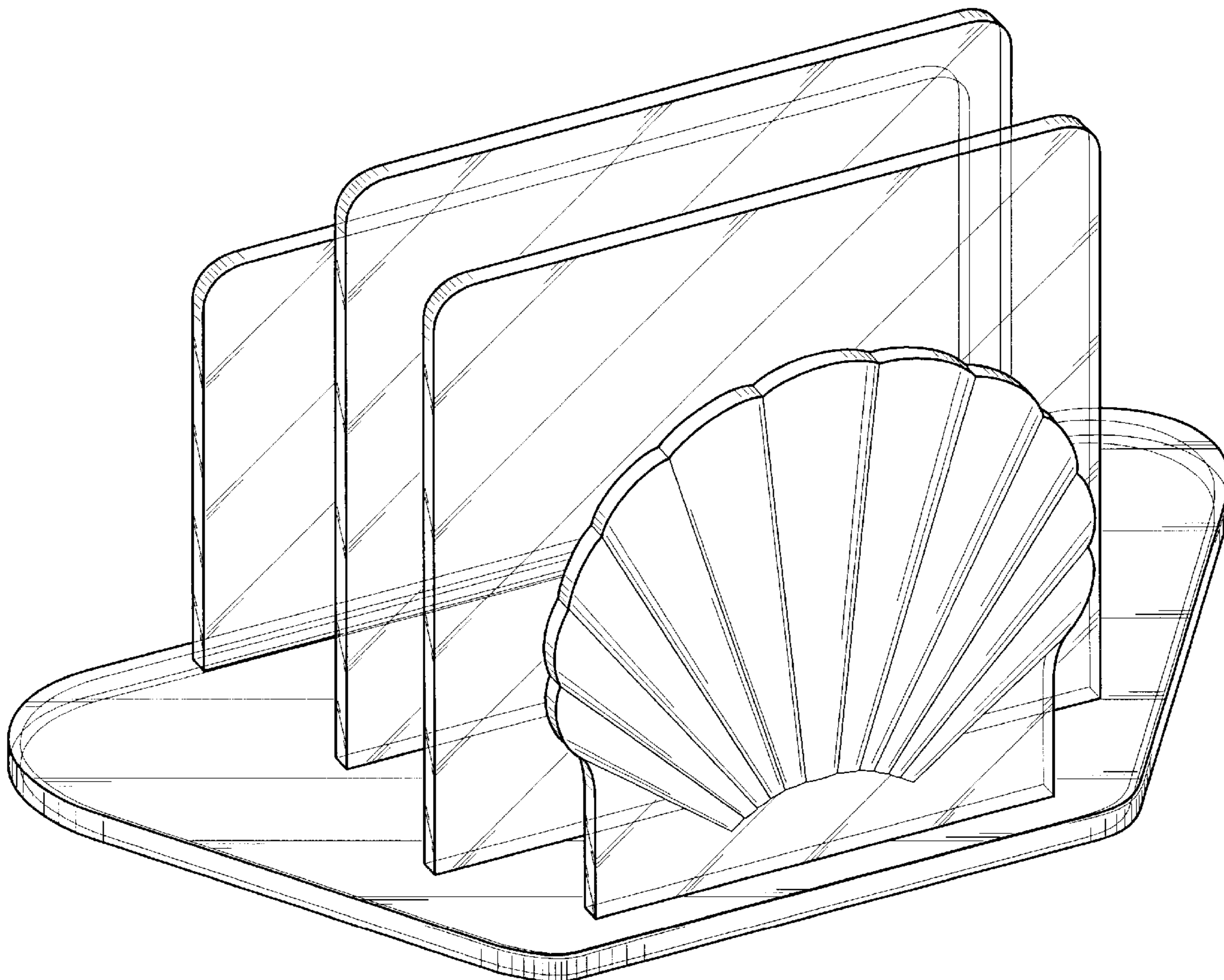
FIG. 6 is a bottom plan.

[56] **References Cited**

U.S. PATENT DOCUMENTS

D. 102,743 1/1937 Bottome D7/634 X

1 Claim, 3 Drawing Sheets



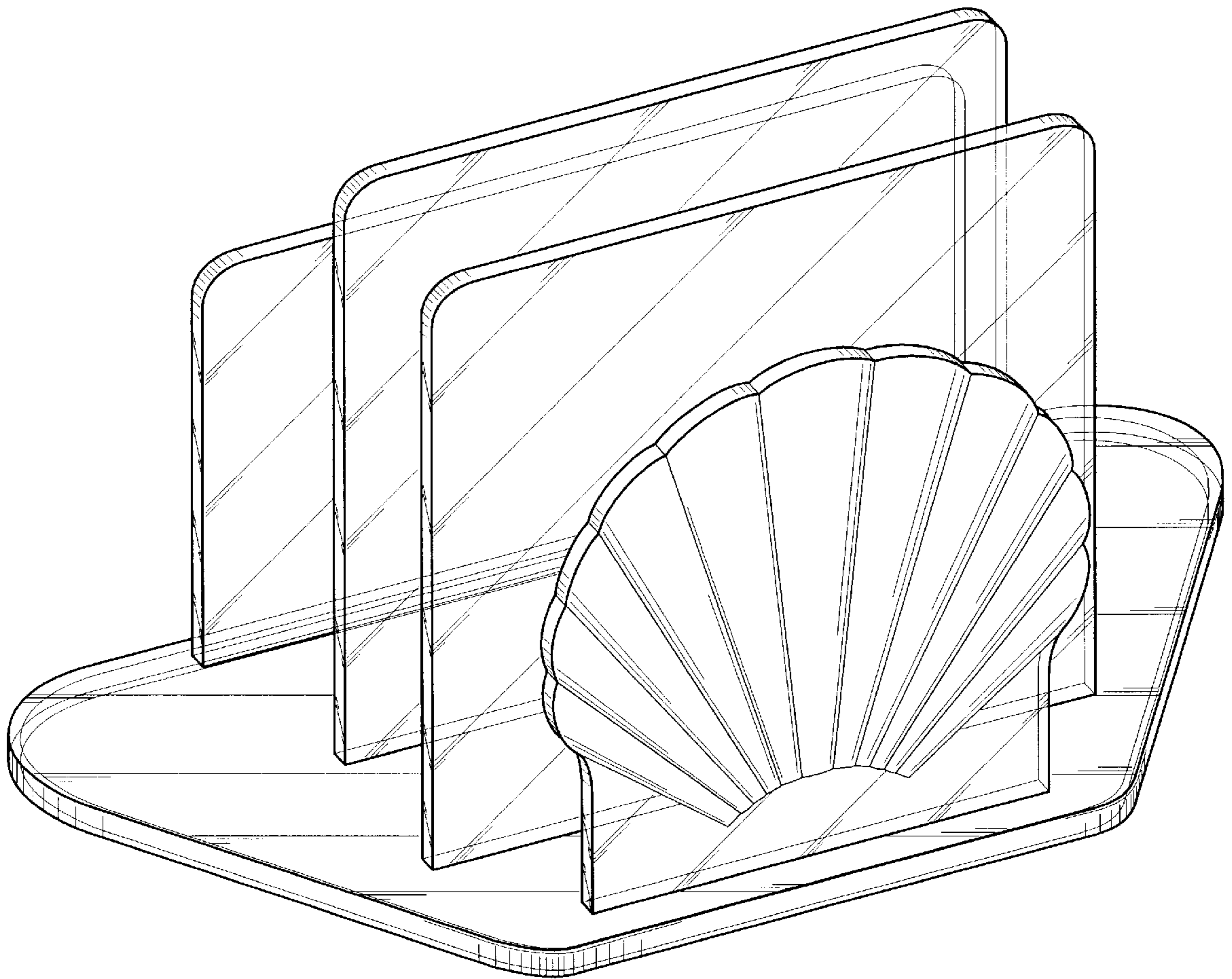


FIG. 1

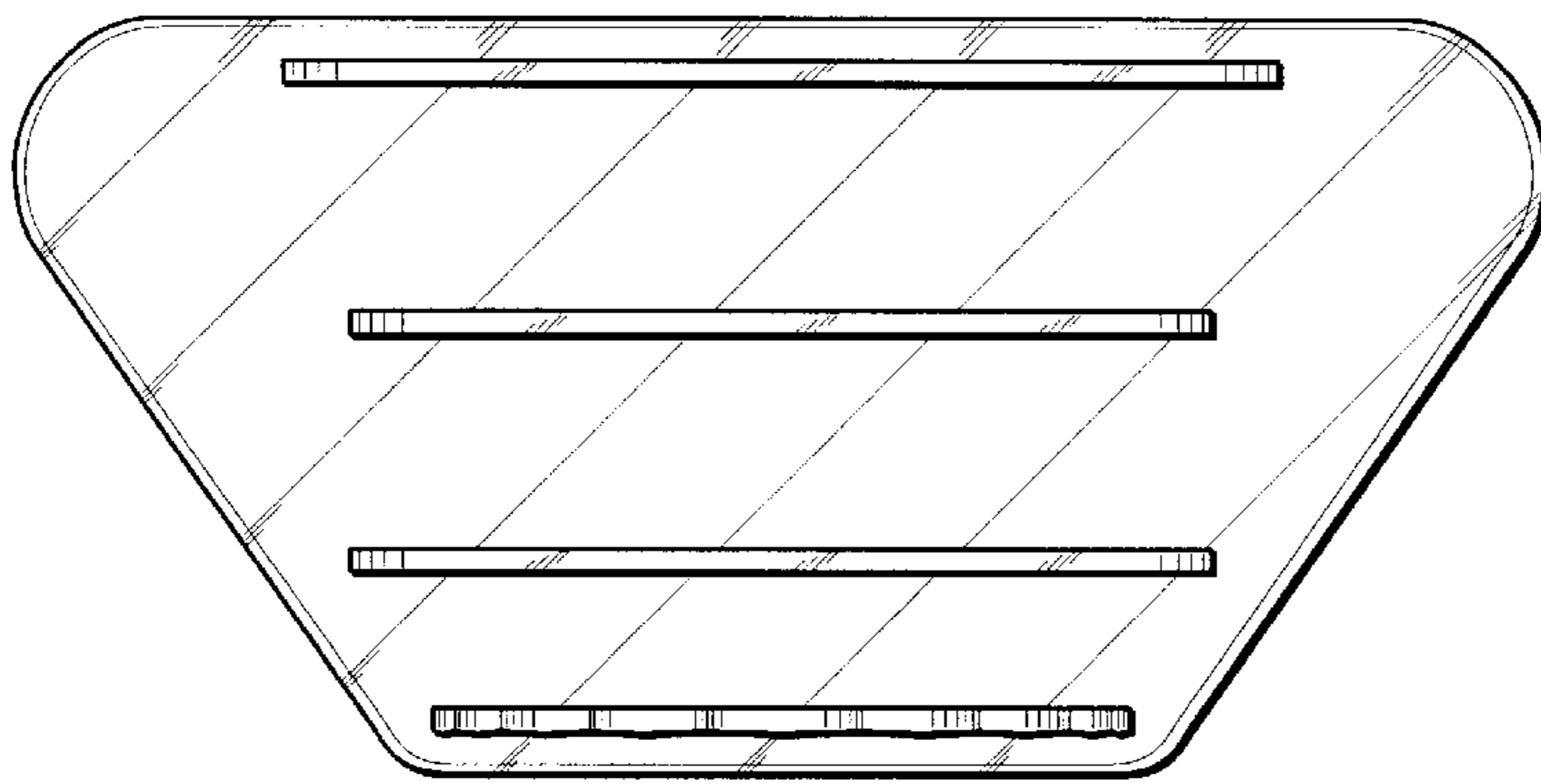


FIG. 2

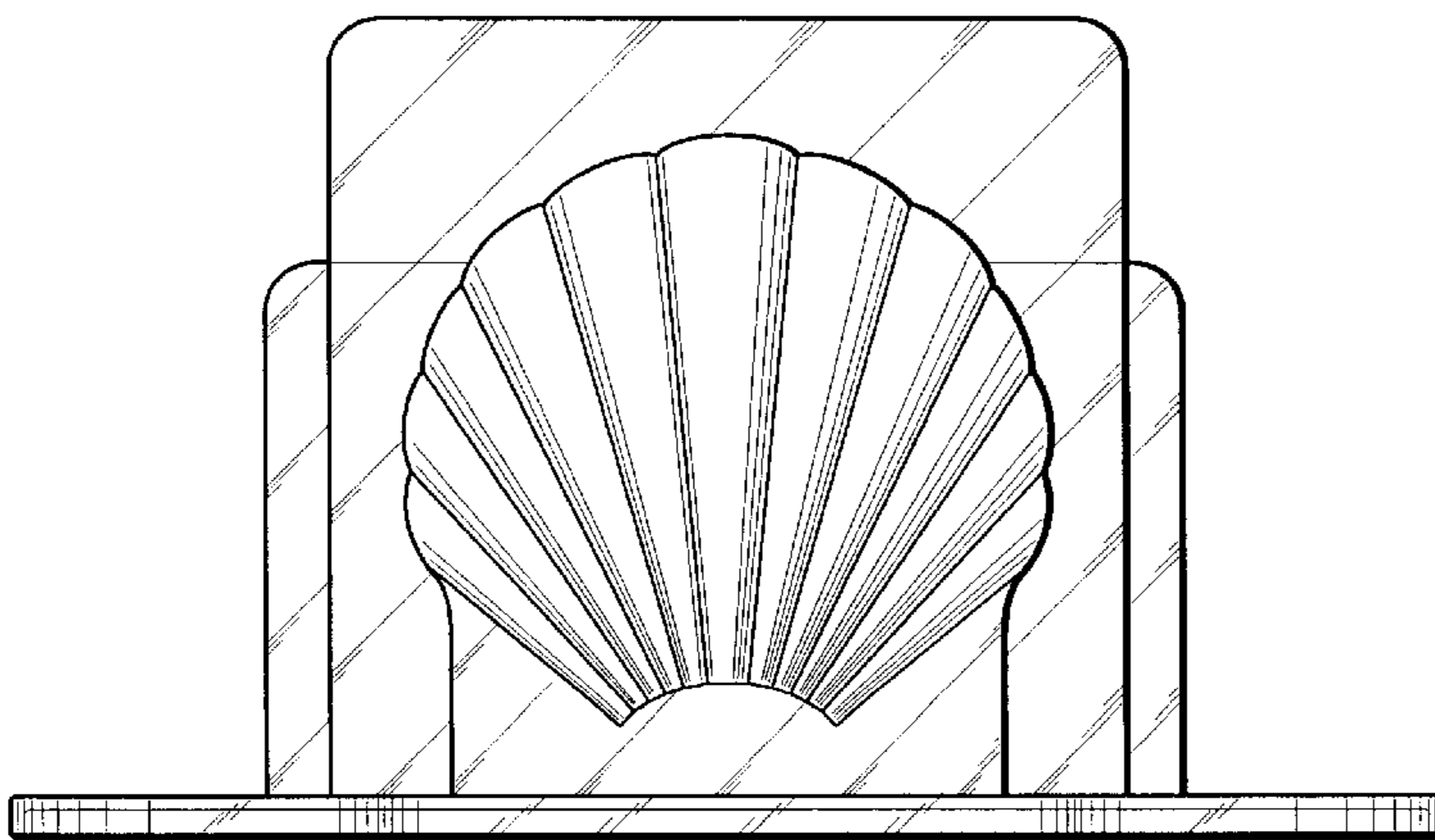


FIG. 3



FIG. 4

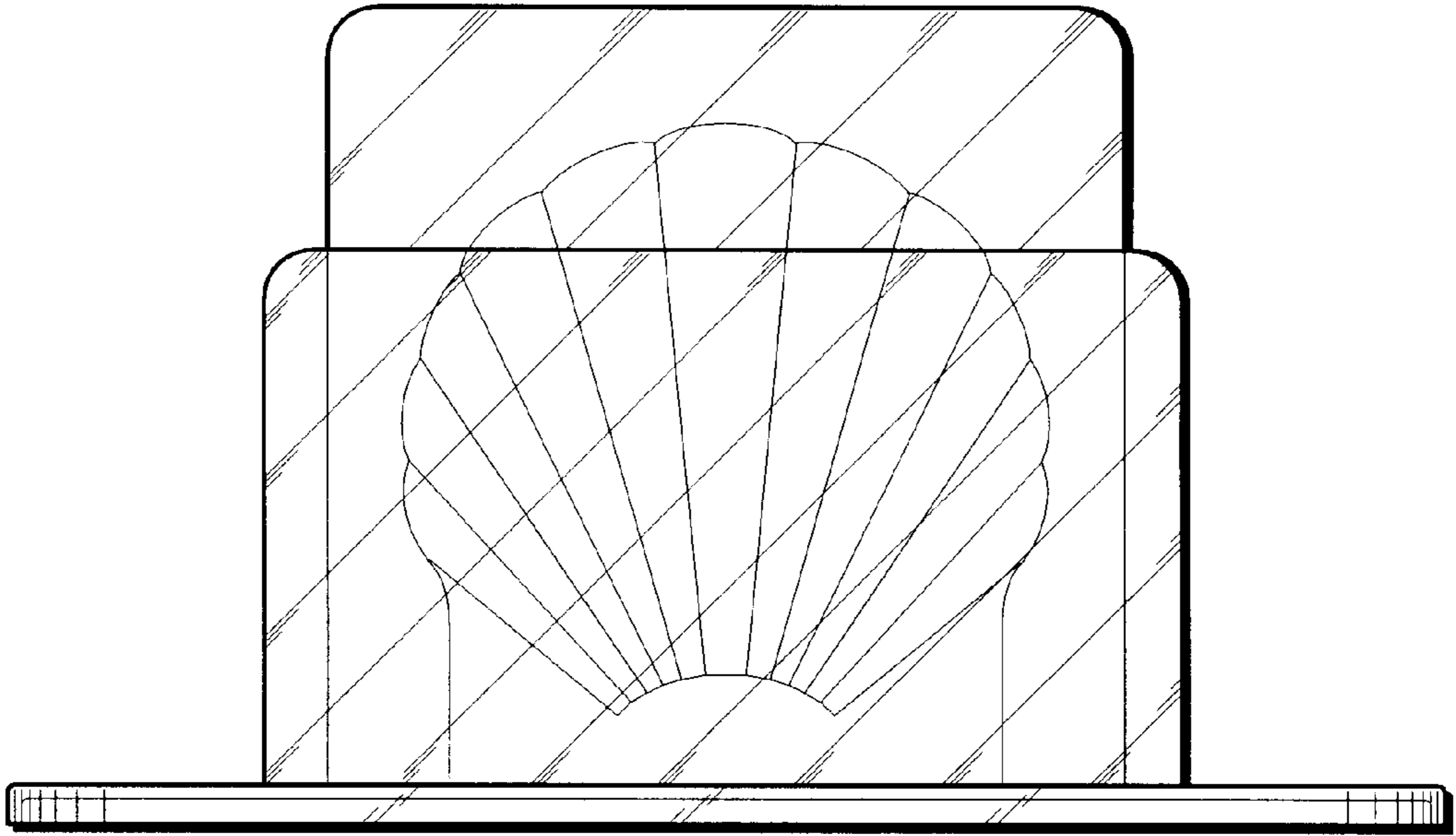


FIG. 5

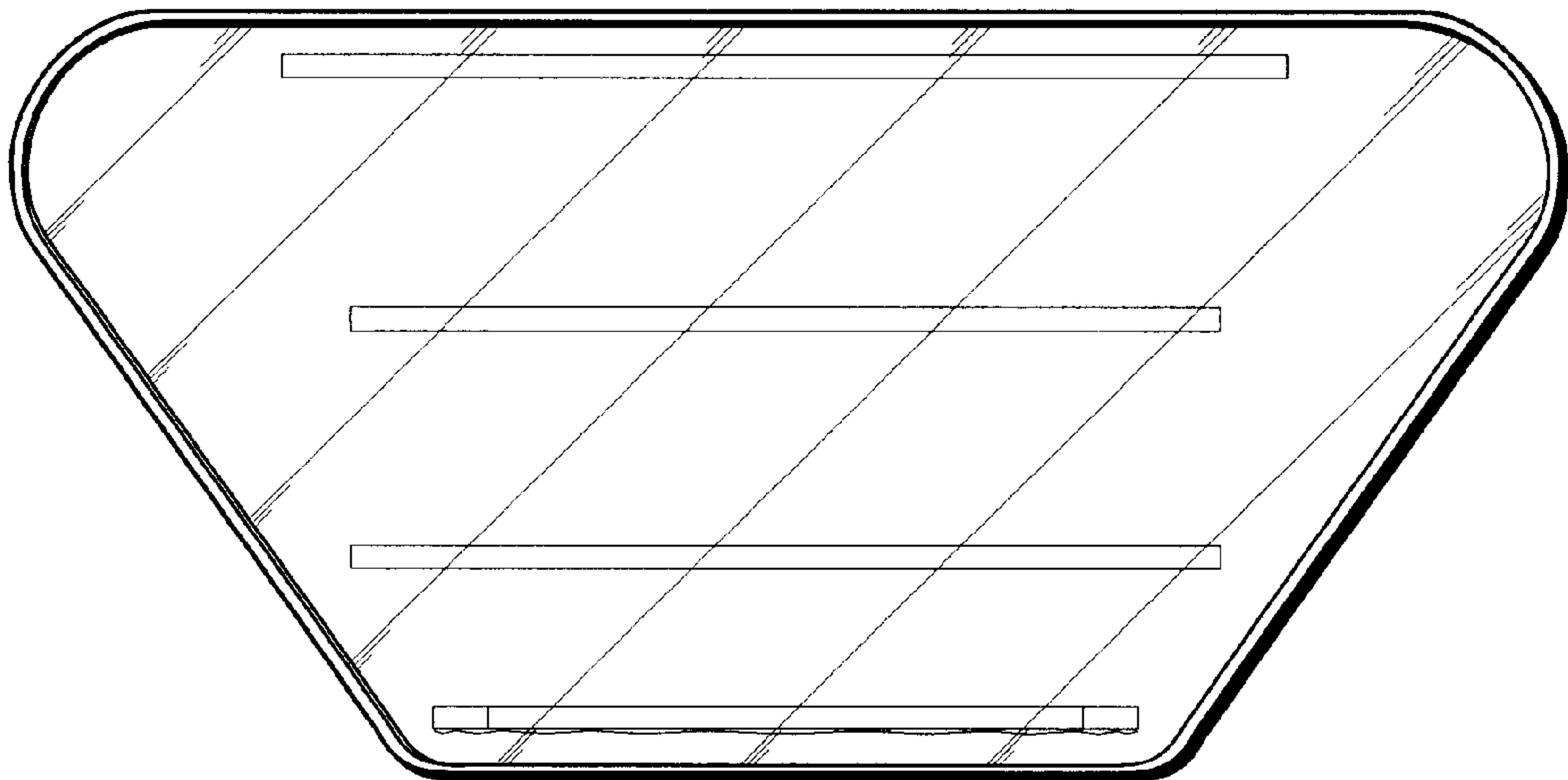


FIG. 6