



US00D413489S

United States Patent [19]
Miller

[11] **Patent Number: Des. 413,489**

[45] **Date of Patent: ** Sep. 7, 1999**

[54] **COVERED SERVING BOWL**

[75] Inventor: **D. Scott Miller**, Orlando, Fla.

[73] Assignee: **Dart Industries Inc.**, Orlando, Fla.

[**] Term: **14 Years**

[21] Appl. No.: **29/093,505**

[22] Filed: **Sep. 11, 1998**

[51] **LOC (6) Cl.** **07-01**

[52] **U.S. Cl.** **D7/602**

[58] **Field of Search** D7/601, 602, 538-542,
D7/629; D9/414-432; 62/457.1, 457.6,
371, 372; 220/306, 352, 356, 574

[56] **References Cited**

U.S. PATENT DOCUMENTS

D. 61,009	5/1922	Amato	D7/602
D. 228,542	10/1973	Swett	D9/416
D. 257,930	1/1981	Conti	D7/17
D. 272,213	1/1984	Daenen	D7/6
D. 344,210	2/1994	Cousins et al.	D7/503
D. 383,939	9/1997	Jeppesen et al.	D7/391

D. 398,485 9/1998 Landauer et al. D7/629

Primary Examiner—Mitchell I. Siegel
Attorney, Agent, or Firm—Taylor J. Ross

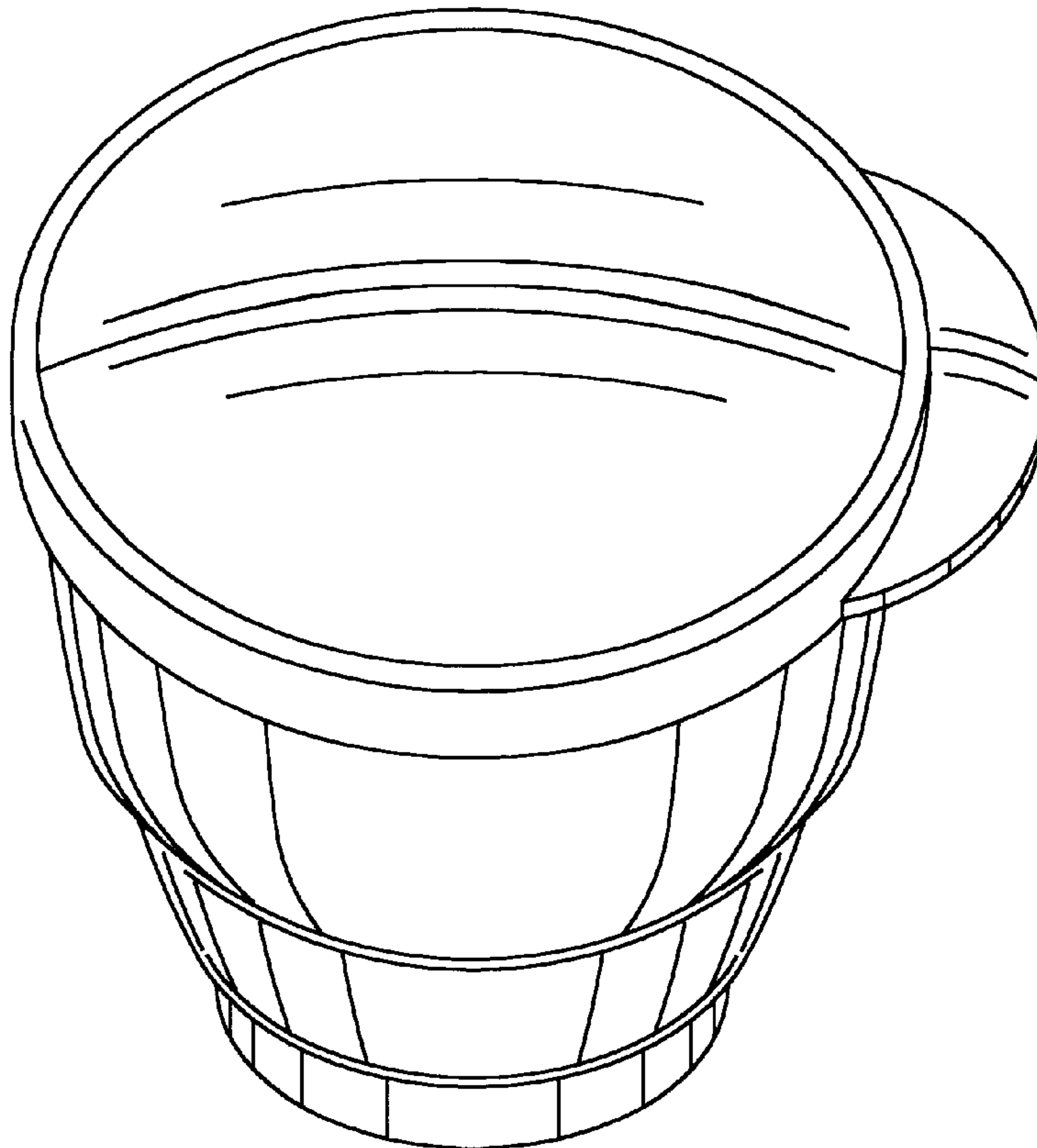
[57] **CLAIM**

The ornamental design for a covered serving bowl, as shown and described.

DESCRIPTION

FIG. 1 is a top, front perspective view of a covered serving bowl showing the new design;
FIG. 2 is a bottom, front perspective view thereof;
FIG. 3 is a front elevation view thereof;
FIG. 4 is a rear elevation view thereof;
FIG. 5 is a right side elevation view thereof;
FIG. 6 is a left side elevation view thereof;
FIG. 7 is a top plan view thereof;
FIG. 8 is a bottom plan view thereof;
FIG. 9 is a cross-sectional side view along line 9—9 of FIG. 7; and,
FIG. 10 is a cross-sectional side view along line 10—10 of FIG. 7.

1 Claim, 4 Drawing Sheets



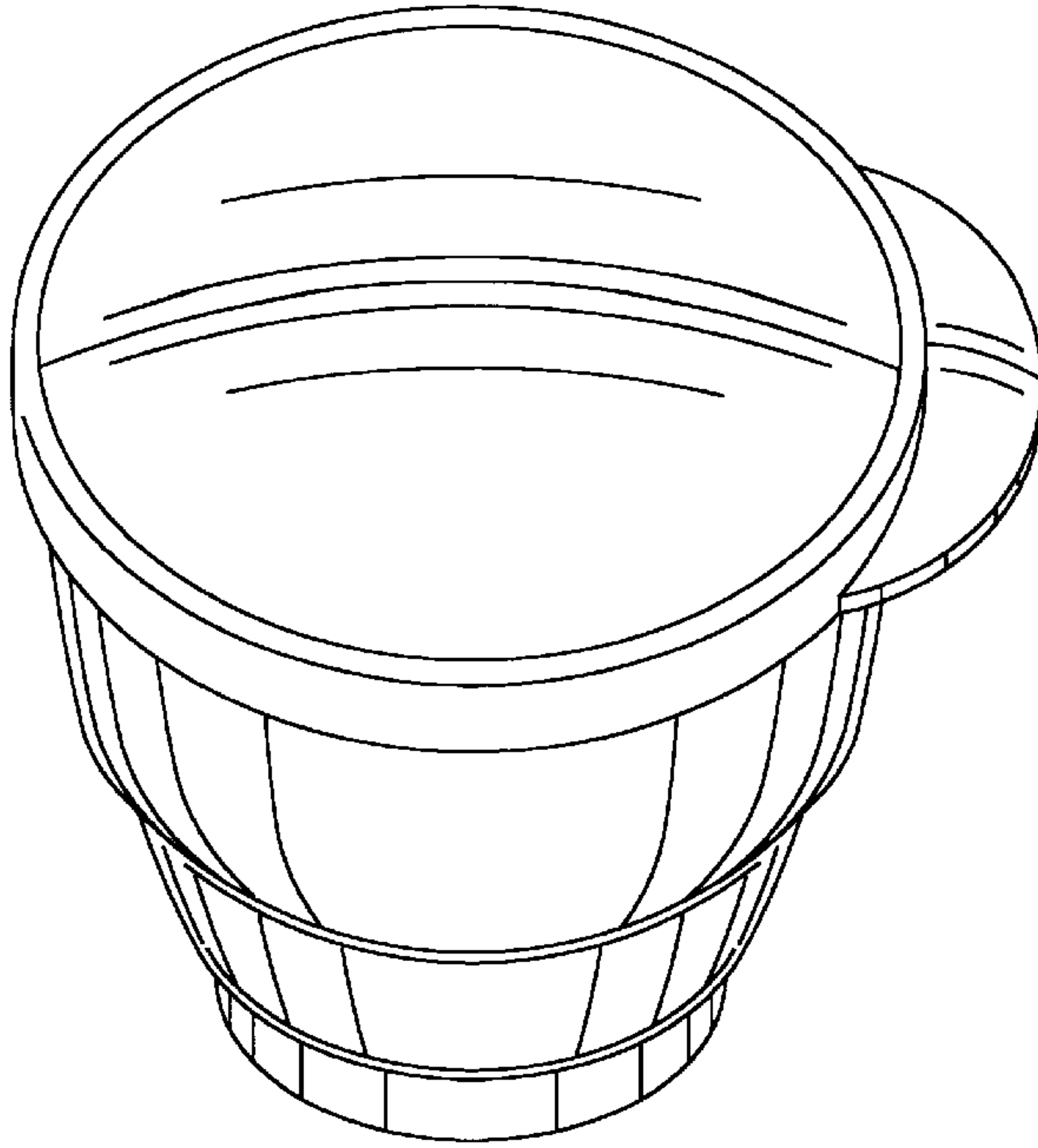


FIG. 1

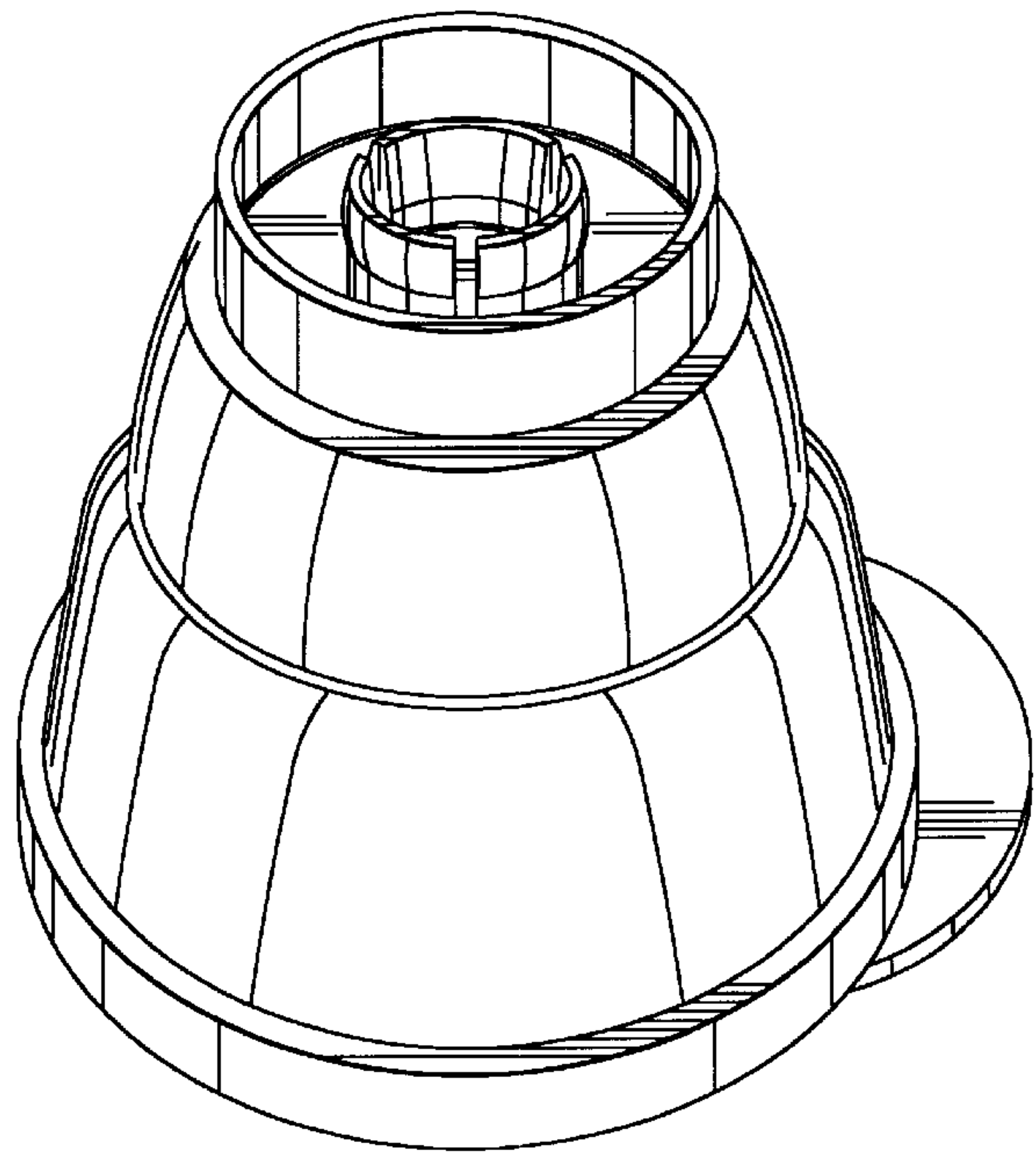


FIG. 2

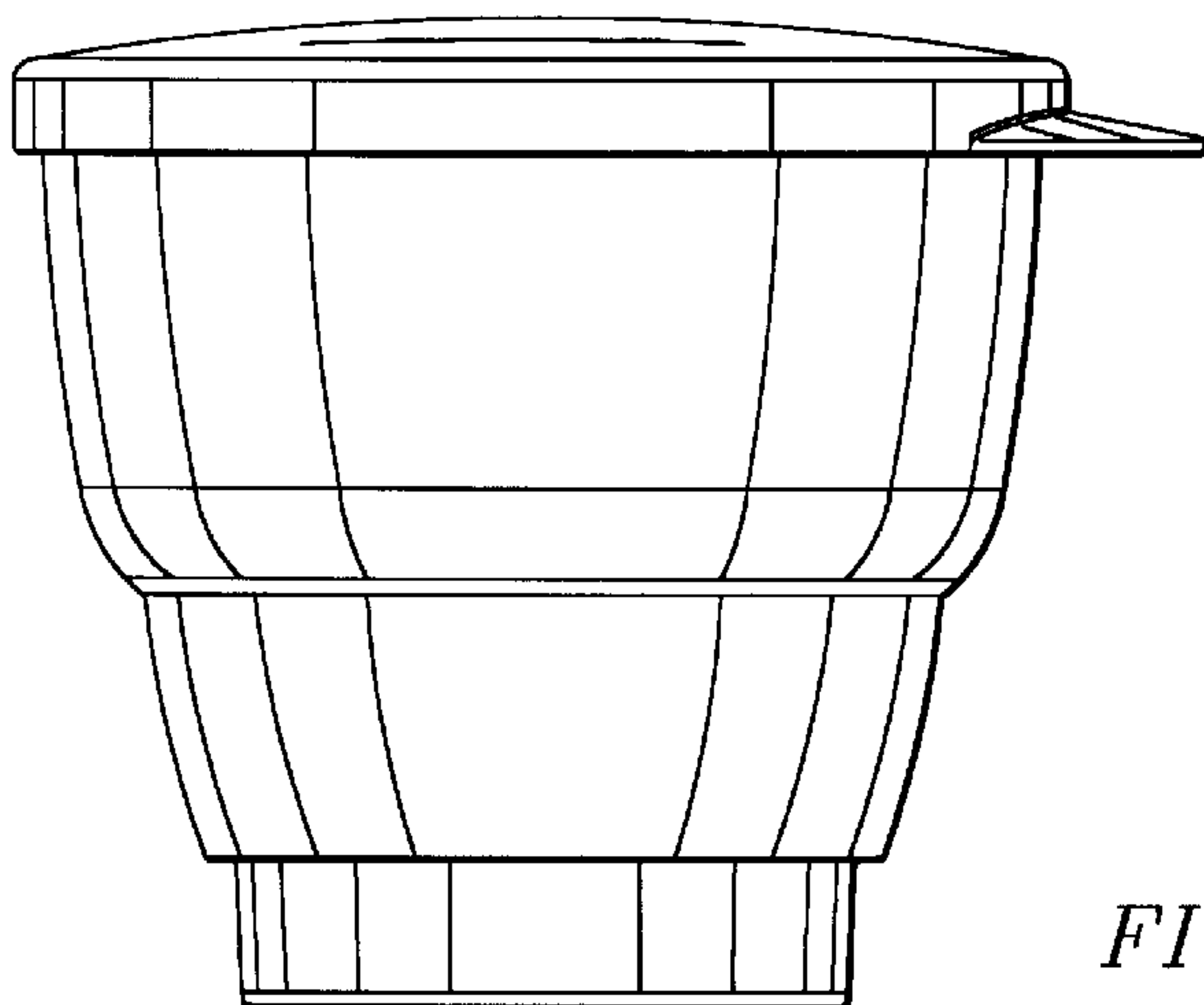


FIG. 3

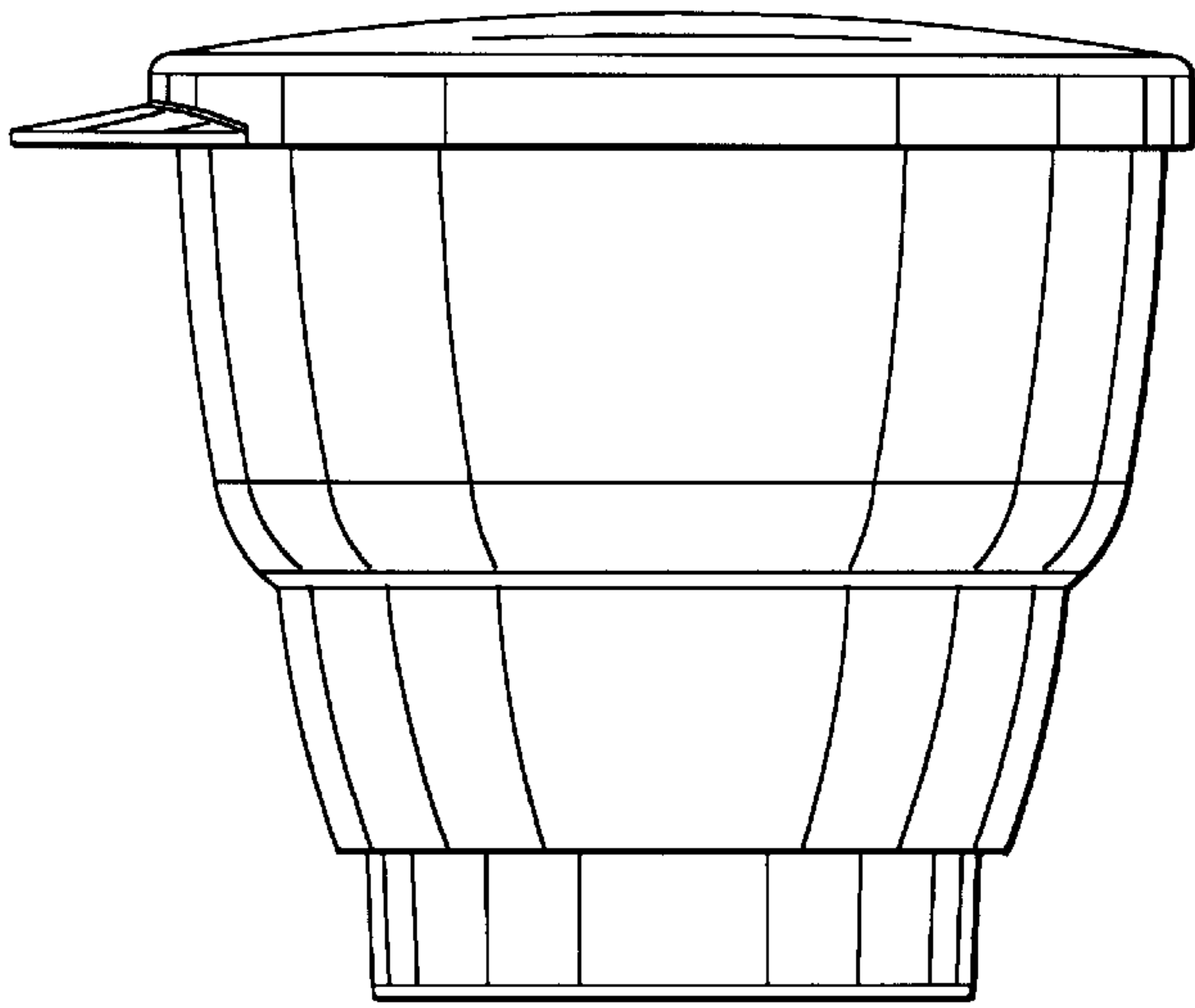


FIG. 4

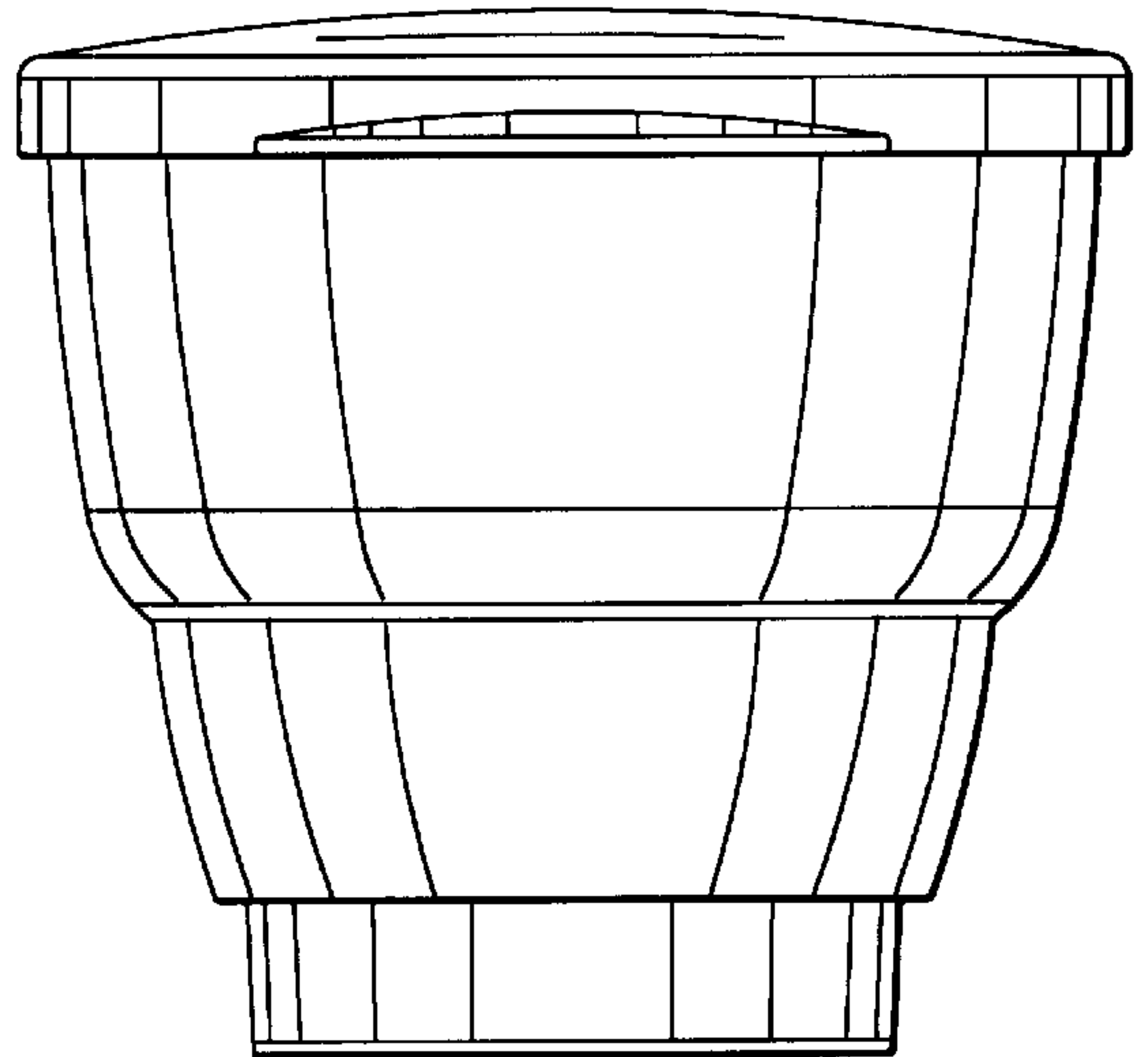


FIG. 5

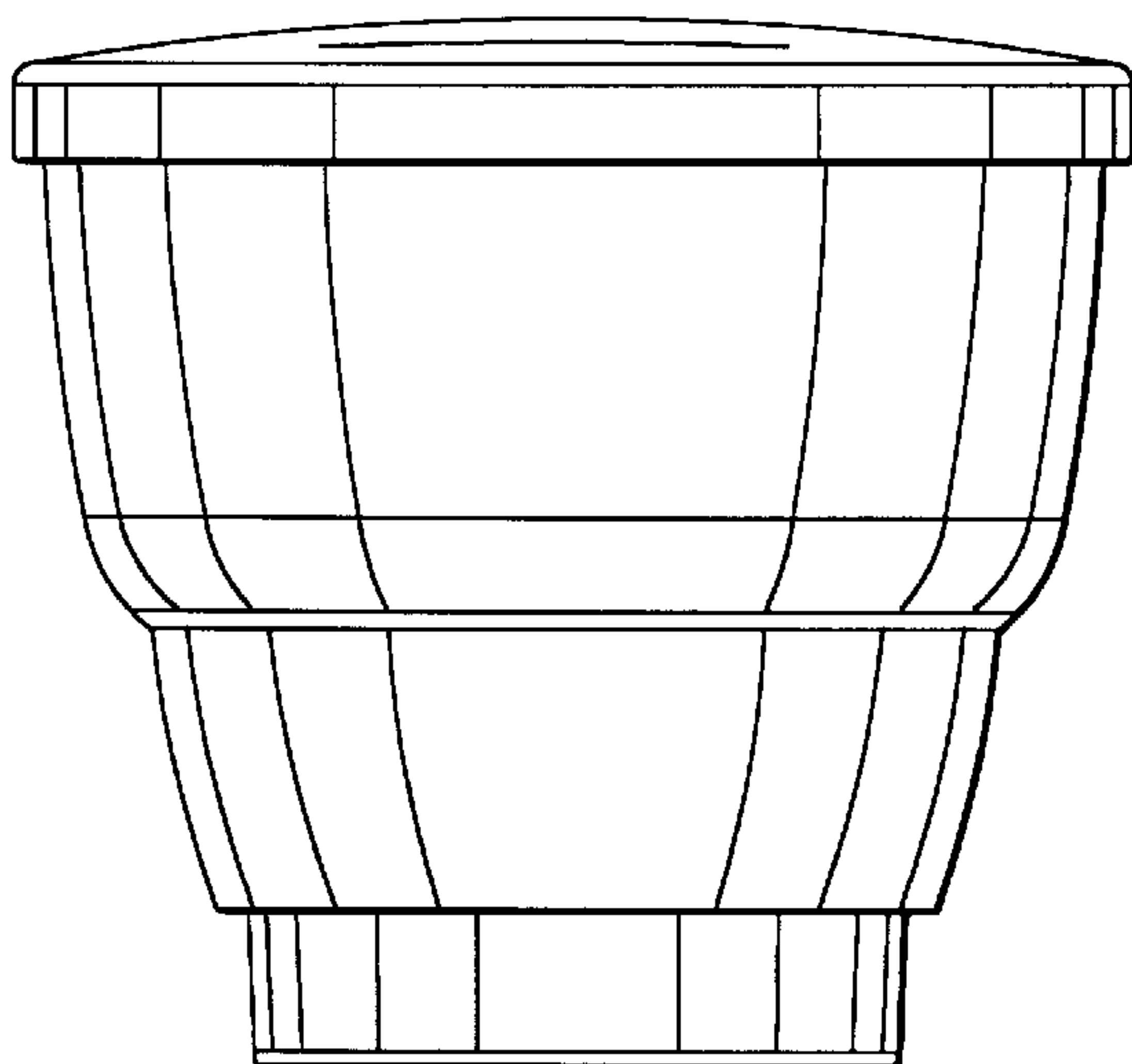


FIG. 6

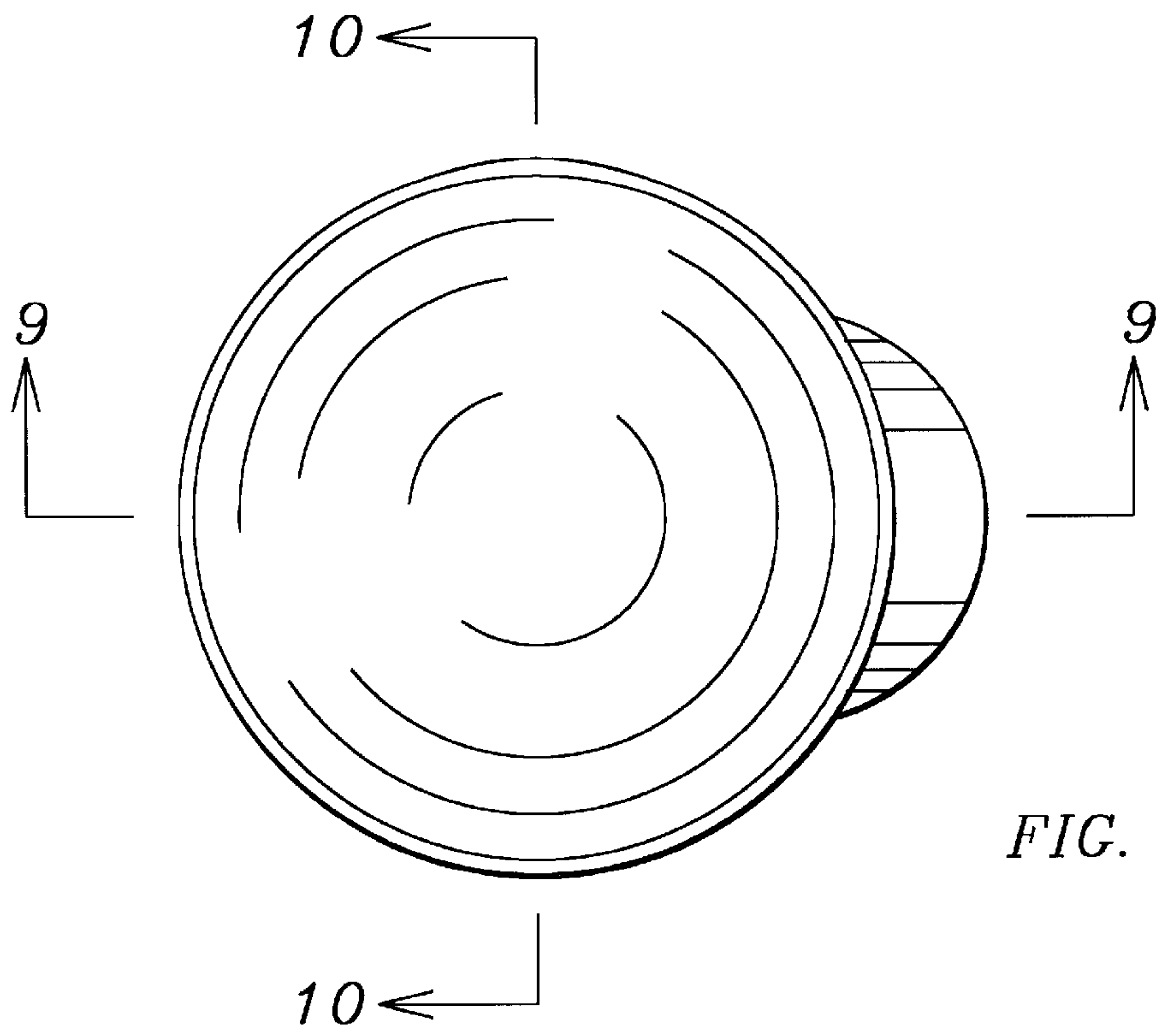


FIG. 7

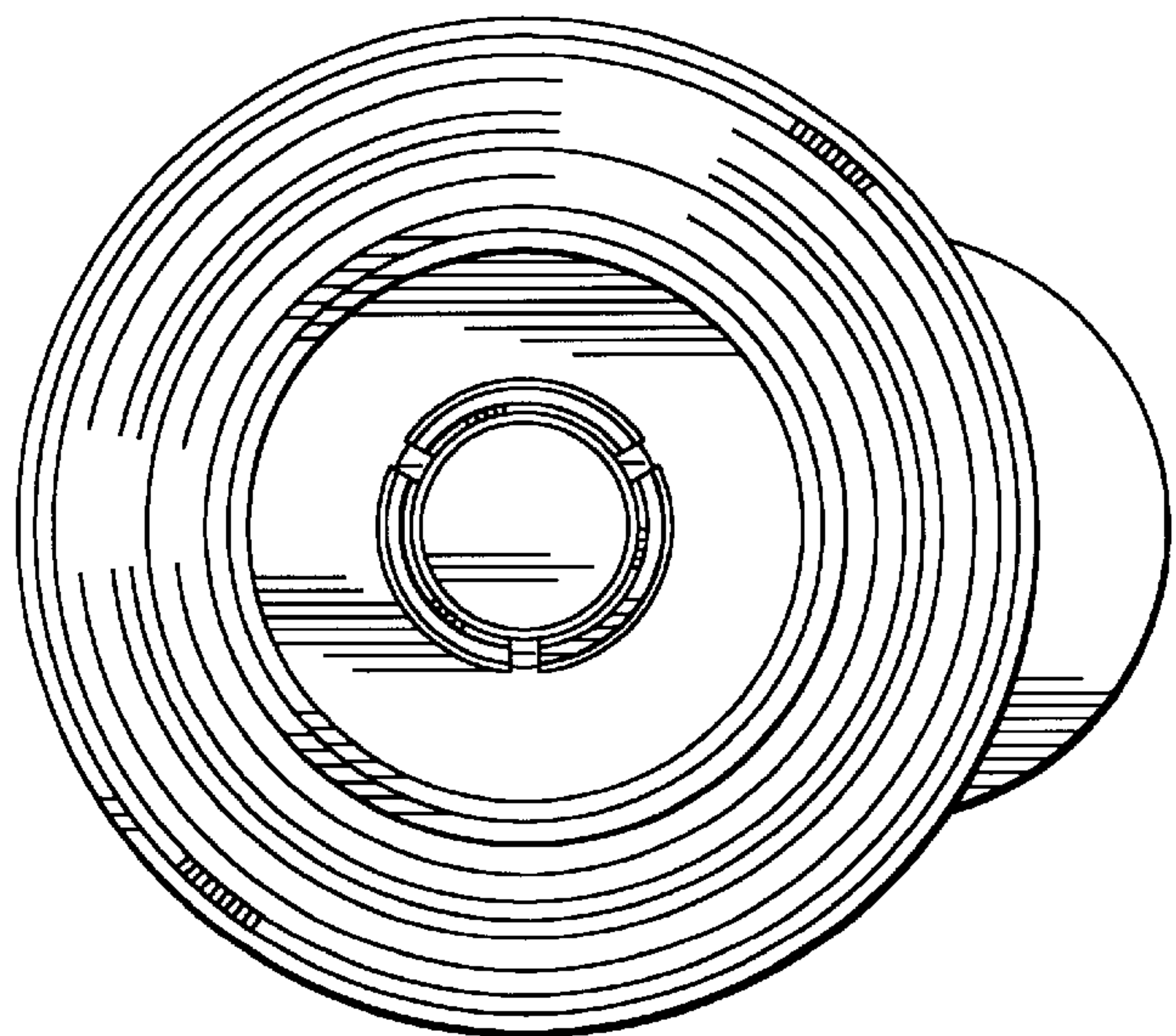


FIG. 8

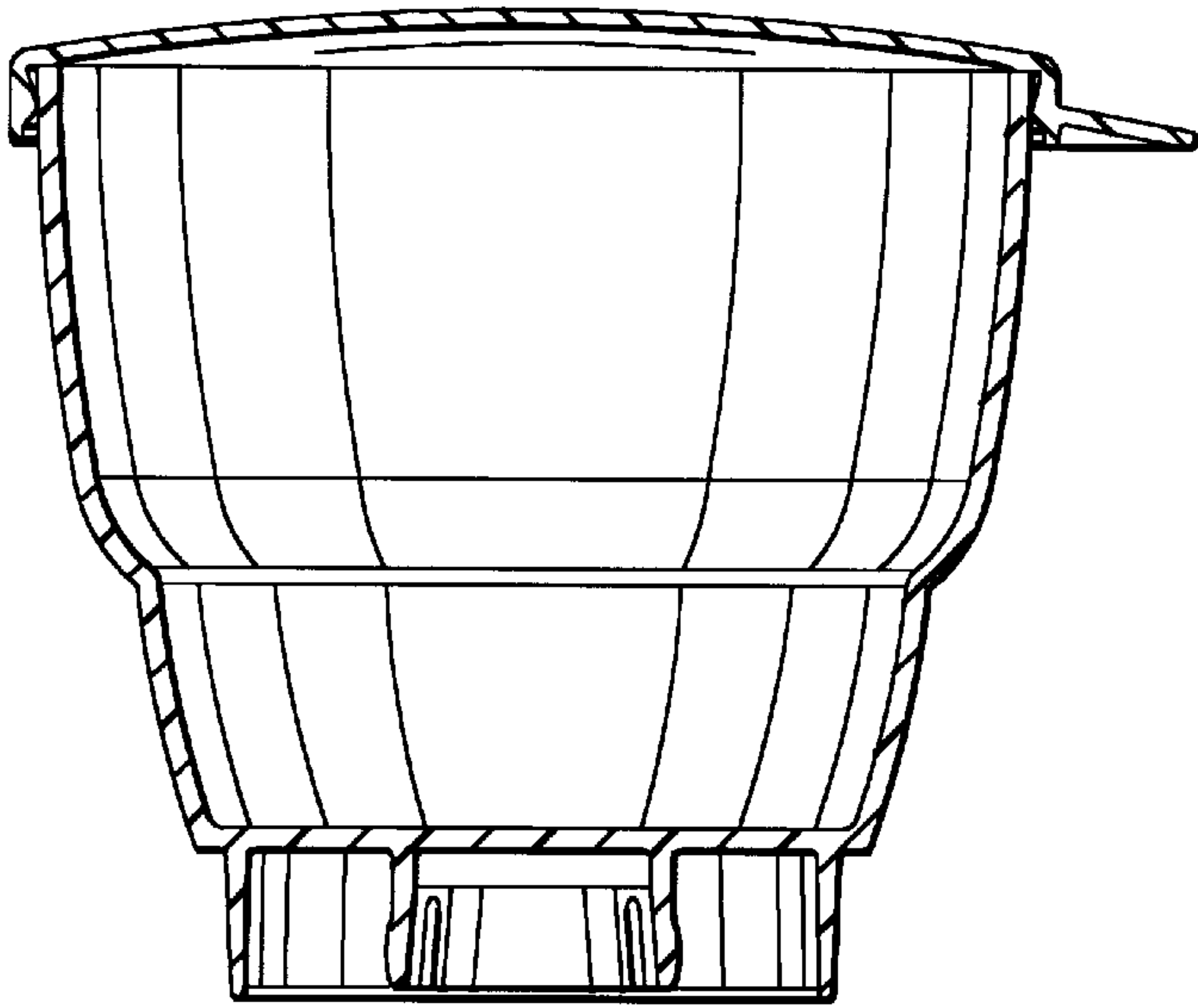


FIG. 9

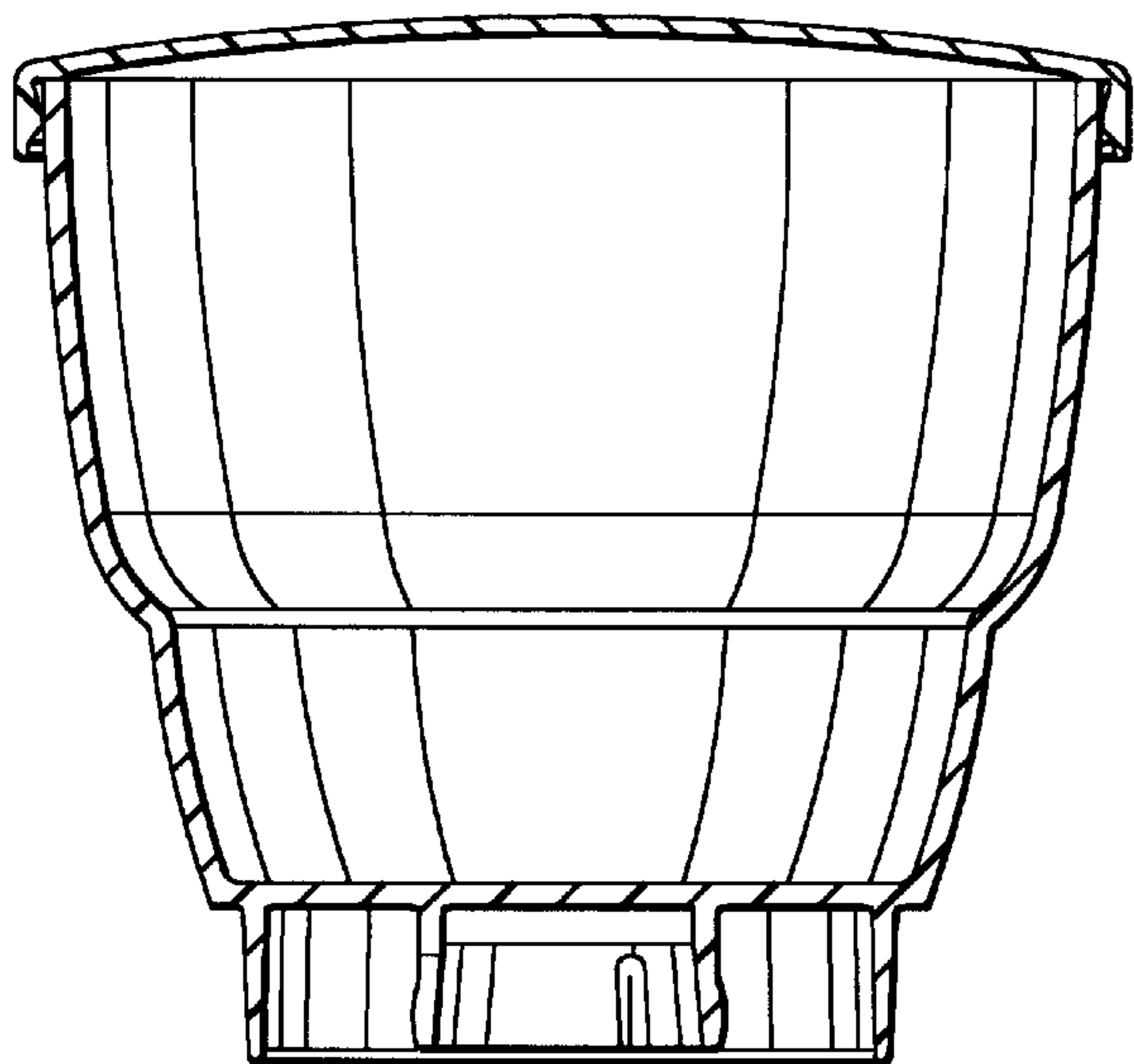


FIG. 10