



US00D413486S

United States Patent [19]

Kaposi et al.

[11] Patent Number: Des. 413,486

[45] Date of Patent: ** Sep. 7, 1999

[54] HANDLE FOR BARBECUE TOOL

D. 331,171 11/1992 Berthet D7/395

[75] Inventors: Sascha Kaposi; Lance L. Hood, both of Seattle, Wash.

Primary Examiner—Terry A. Wallace
Attorney, Agent, or Firm—John R. Benefiel

[73] Assignee: Progressive International Corporation, Kent, Wash.

[57] CLAIM

[**] Term: 14 Years

The ornamental design for handle for barbecue tool, as shown and described.

[21] Appl. No.: 29/086,716

DESCRIPTION

[22] Filed: Apr. 17, 1998

[51] LOC (6) Cl. 07-06

[52] U.S. Cl. D7/401.2

[58] Field of Search D7/395, 401.2,
D7/682-696; 16/110 R, 111 R, 116 R;
30/322-328

FIG. 1 is a top plan view of a handle for barbecue tool showing our new design;

FIG. 2 is a side elevation view thereof;

FIG. 3 is a bottom plan view thereof;

FIG. 4 is a front elevational view thereof; and,

FIG. 5 is a rear elevation view thereof.

[56] References Cited

U.S. PATENT DOCUMENTS

D. 323,095 1/1992 Usbeck D7/395

1 Claim, 2 Drawing Sheets

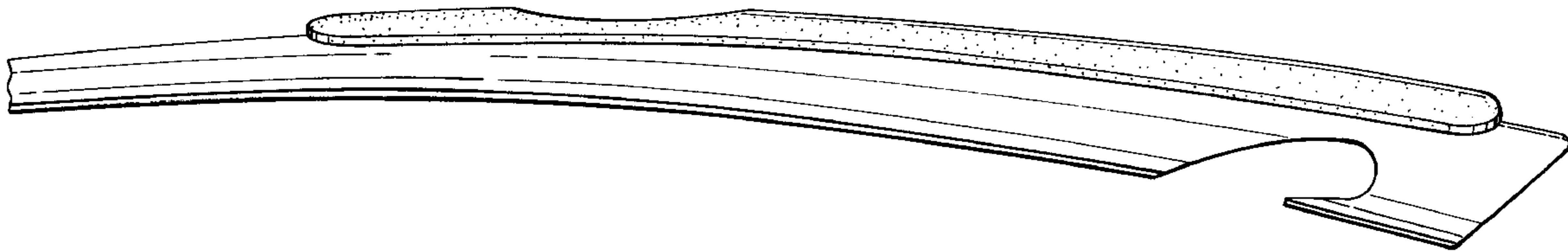
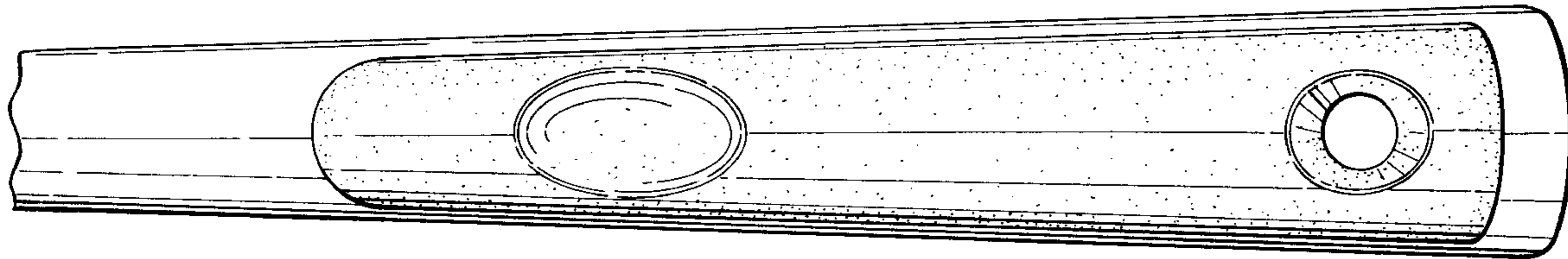


FIG - 1

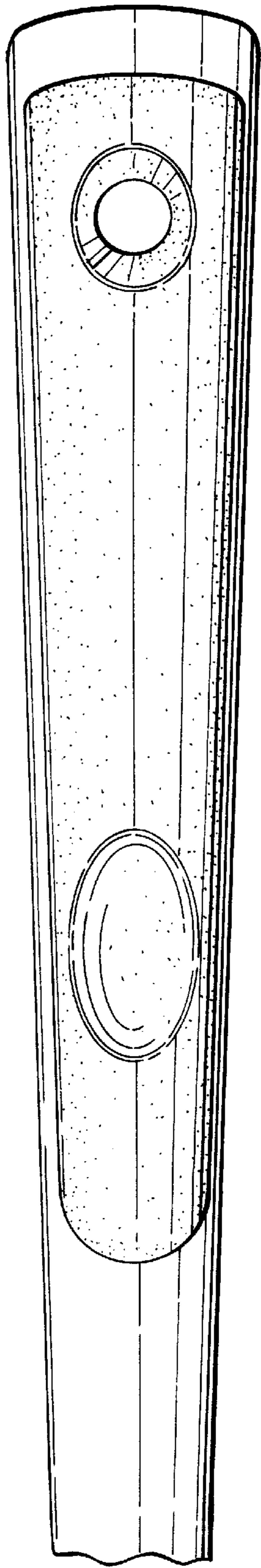


FIG - 2

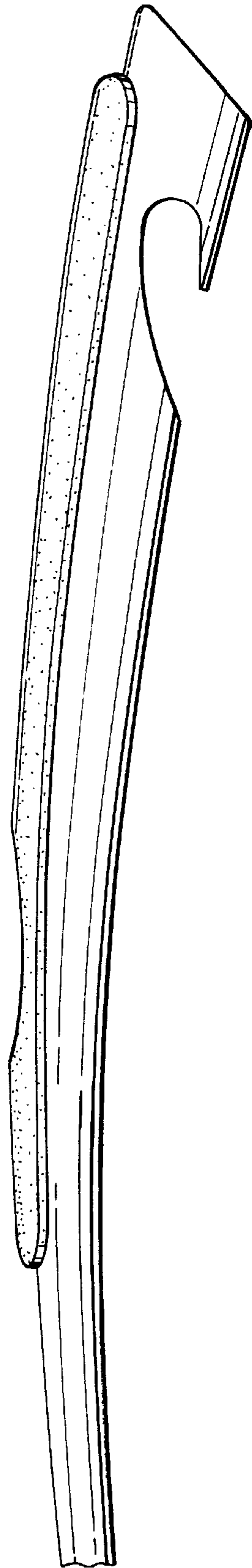


FIG - 3

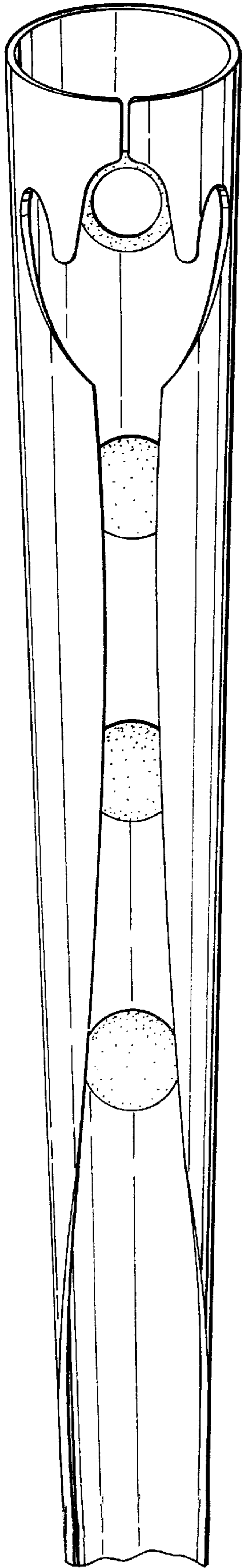


FIG - 4

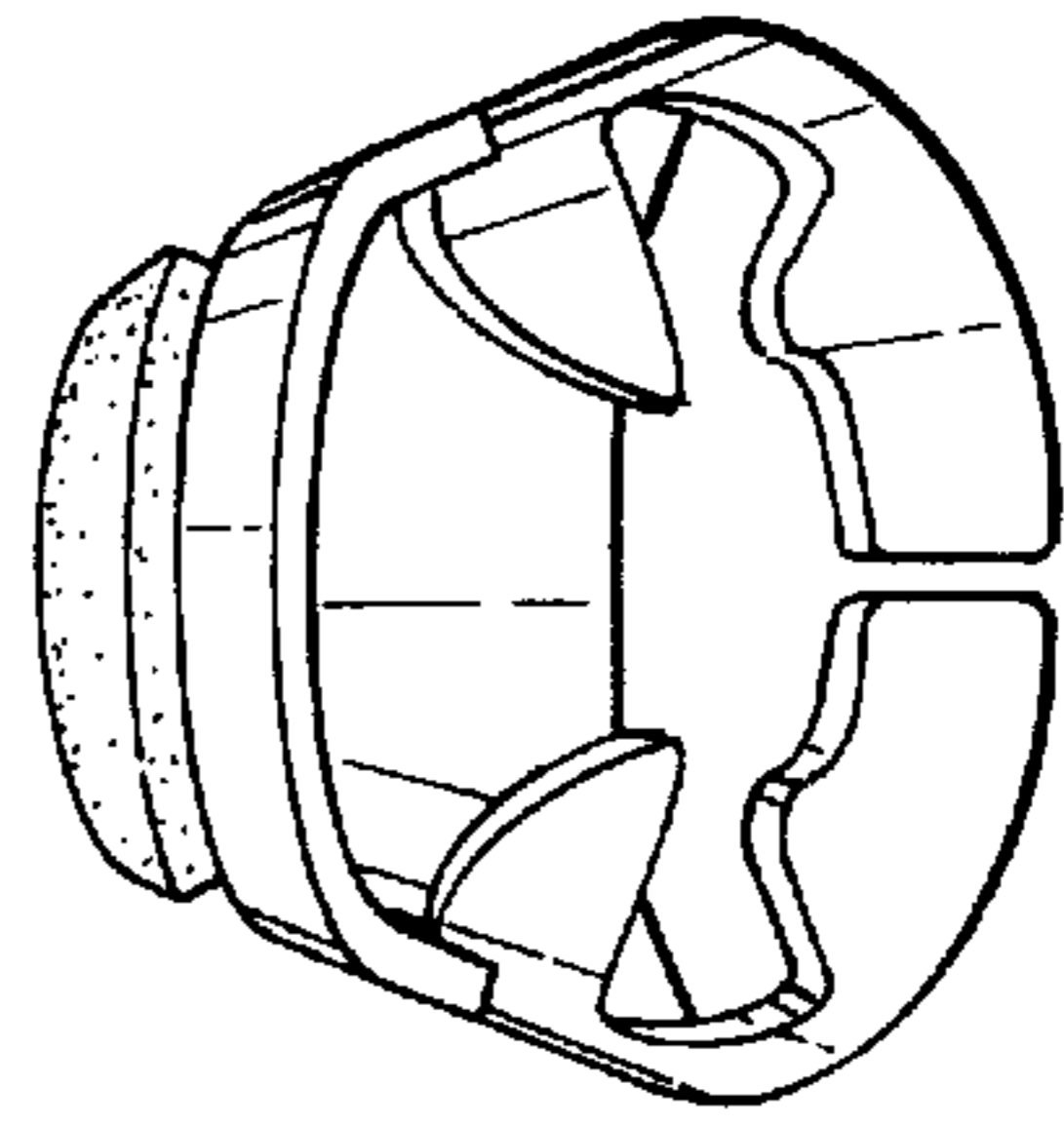


FIG - 5

