



US00D413484S

United States Patent [19]
Joergensen

[11] **Patent Number: Des. 413,484**

[45] **Date of Patent: ** Sep. 7, 1999**

[54] **LID FOR A NON-ELECTRIC COFFEE MAKER**

[75] Inventor: **Carsten Joergensen**, Kriens, Switzerland

[73] Assignee: **PI-Design AG**, Triengen, Switzerland

[**] Term: **14 Years**

[21] Appl. No.: **29/077,617**

[22] Filed: **Oct. 7, 1997**

[30] **Foreign Application Priority Data**

Apr. 23, 1997 [DK] Denmark MA 0436 1997

[51] **LOC (6) Cl.** **07-99**

[52] **U.S. Cl.** **D7/392; D7/392.1**

[58] **Field of Search** D7/391, 392, 392.1, D7/317, 321, 538, 612; D9/445, 454; 220/903, 553, 369; 222/144.5; 99/321

[56] **References Cited**

U.S. PATENT DOCUMENTS

- D. 142,977 11/1945 Archer, Jr. D7/391
- D. 155,288 9/1949 Hellberg D7/392.1
- D. 243,741 3/1977 Hauenstein D7/392
- D. 249,624 9/1978 Solomon D7/391
- D. 328,546 8/1992 Unger D7/317
- D. 347,549 6/1994 Ament et al. D7/392
- D. 352,212 11/1994 Burton D7/317

- D. 371,931 7/1996 Lin D7/321 X
- D. 374,623 10/1996 Rafferty D9/443
- D. 378,976 4/1997 Joergensen D7/612
- D. 381,238 7/1997 Joergensen D7/317
- D. 381,859 8/1997 Joergensen D7/321 X
- 3,362,566 1/1968 Hanania D7/391 X

Primary Examiner—M. N. Pandozzi
Attorney, Agent, or Firm—Nath & Associates; Gary M. Nath

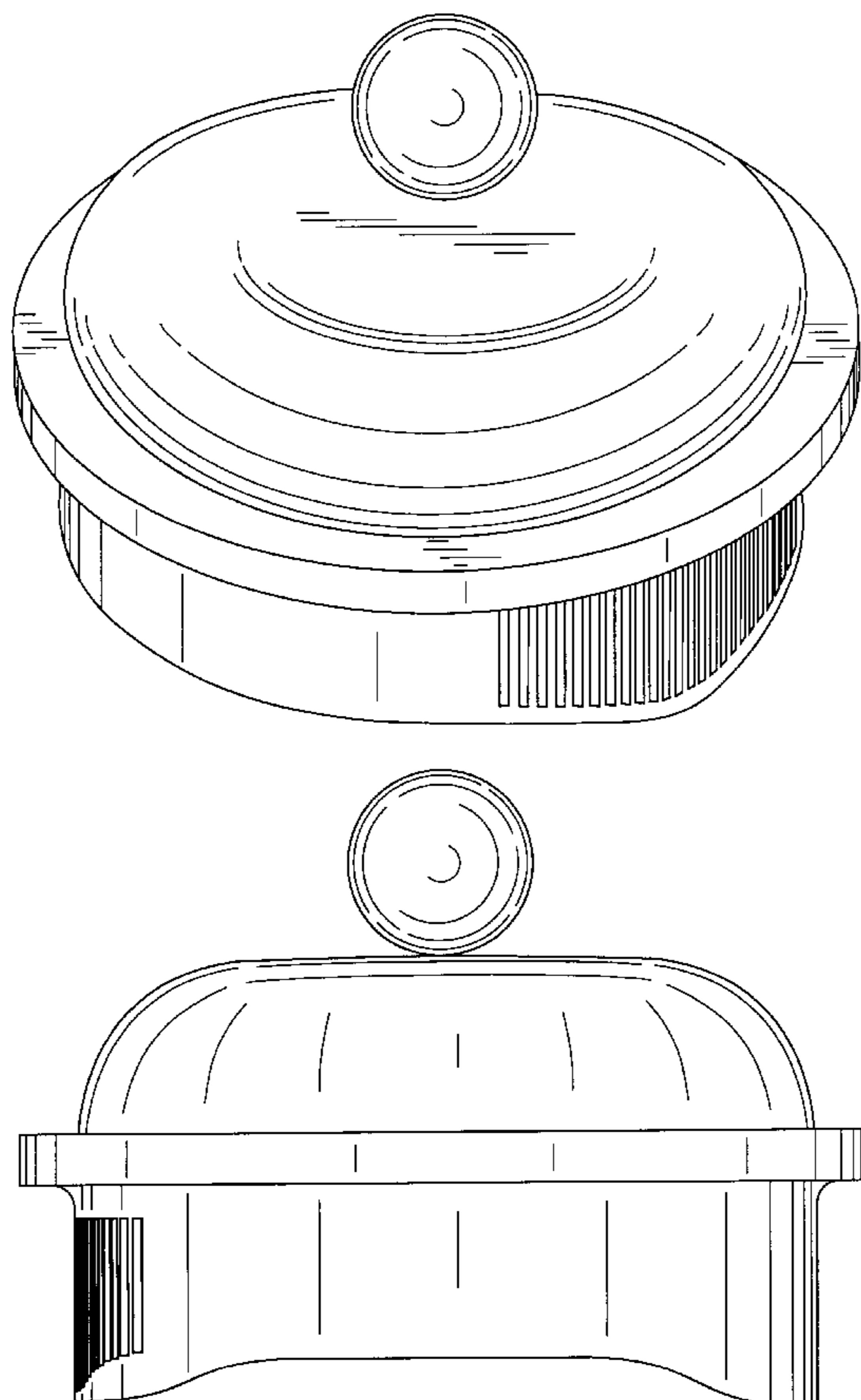
[57] **CLAIM**

The ornamental design for a lid for a non-electric coffee maker, as shown and described.

DESCRIPTION

FIG. 1 is an oblique perspective view of the lid for a non-electric coffee maker;
 FIG. 2 is a right side view of the lid for a non-electric coffee maker, as shown in FIG. 1;
 FIG. 3 is a left side view of the lid for a non-electric coffee maker;
 FIG. 4 is a front side view of the lid for a non-electric coffee maker;
 FIG. 5 is a back side view of the lid for a non-electric coffee maker;
 FIG. 6 is a top view of the lid for a non-electric coffee maker; and,
 FIG. 7 is a bottom view of the lid for a non-electric coffee maker.

1 Claim, 4 Drawing Sheets



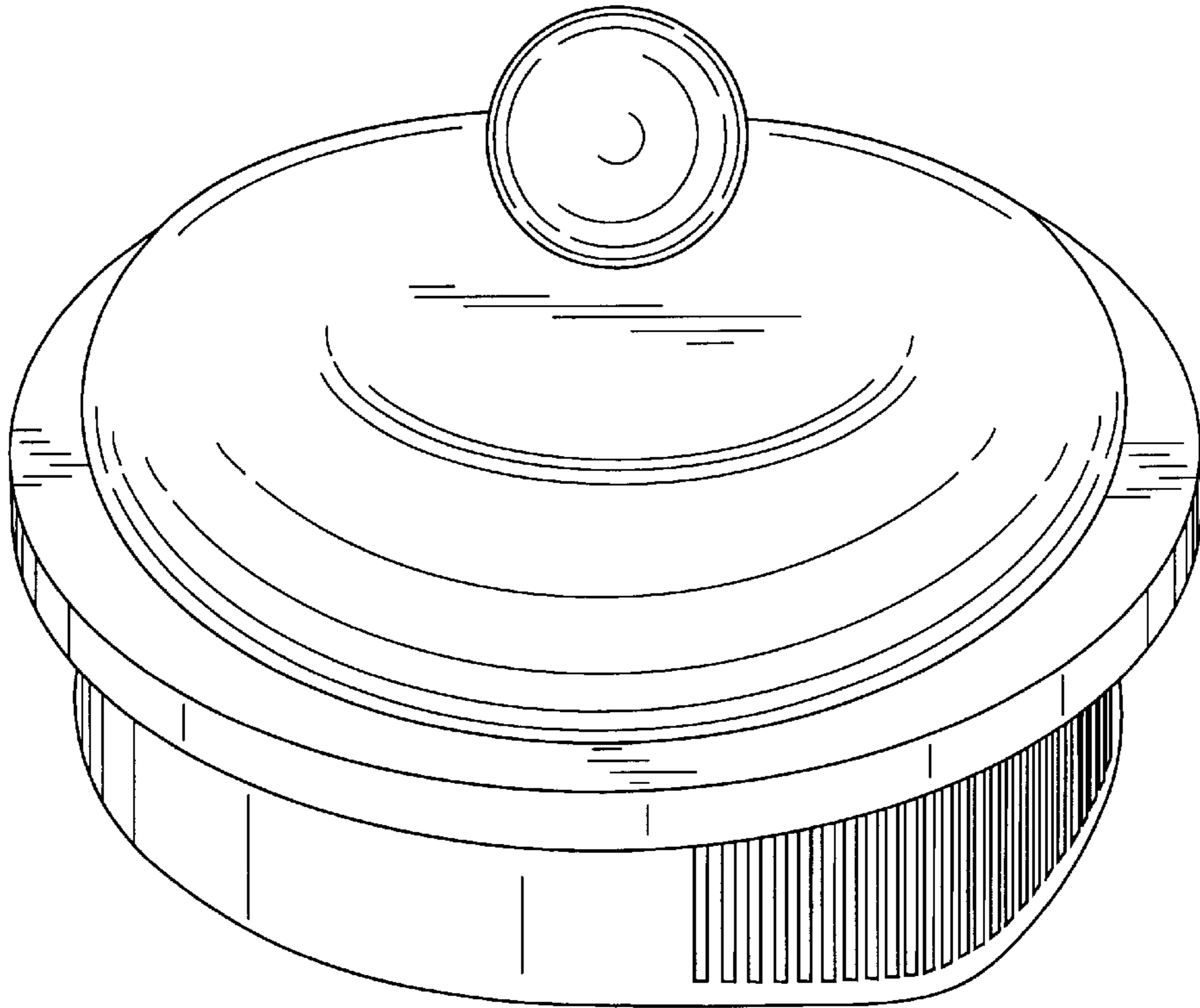


FIG. 1

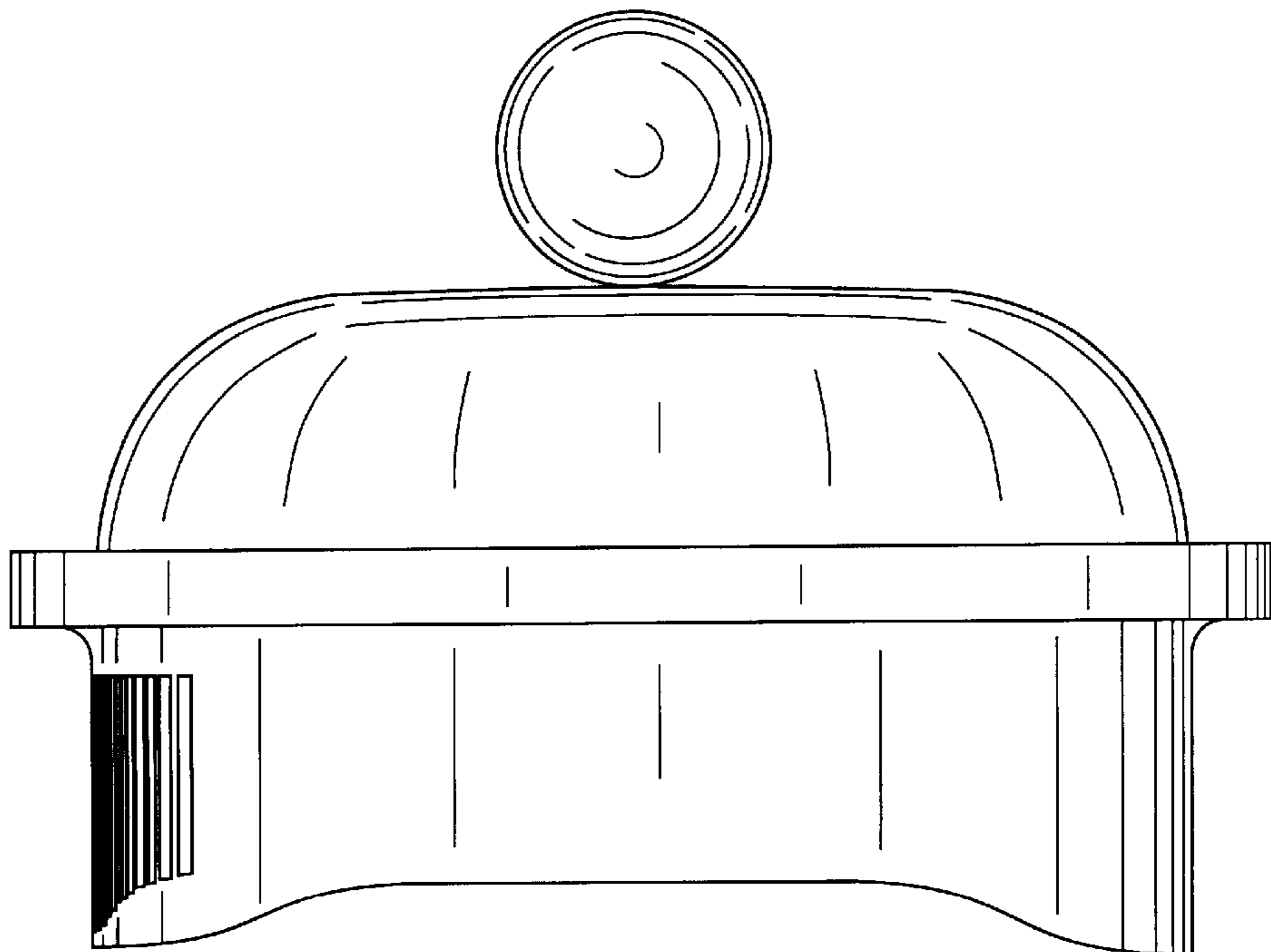


FIG. 2

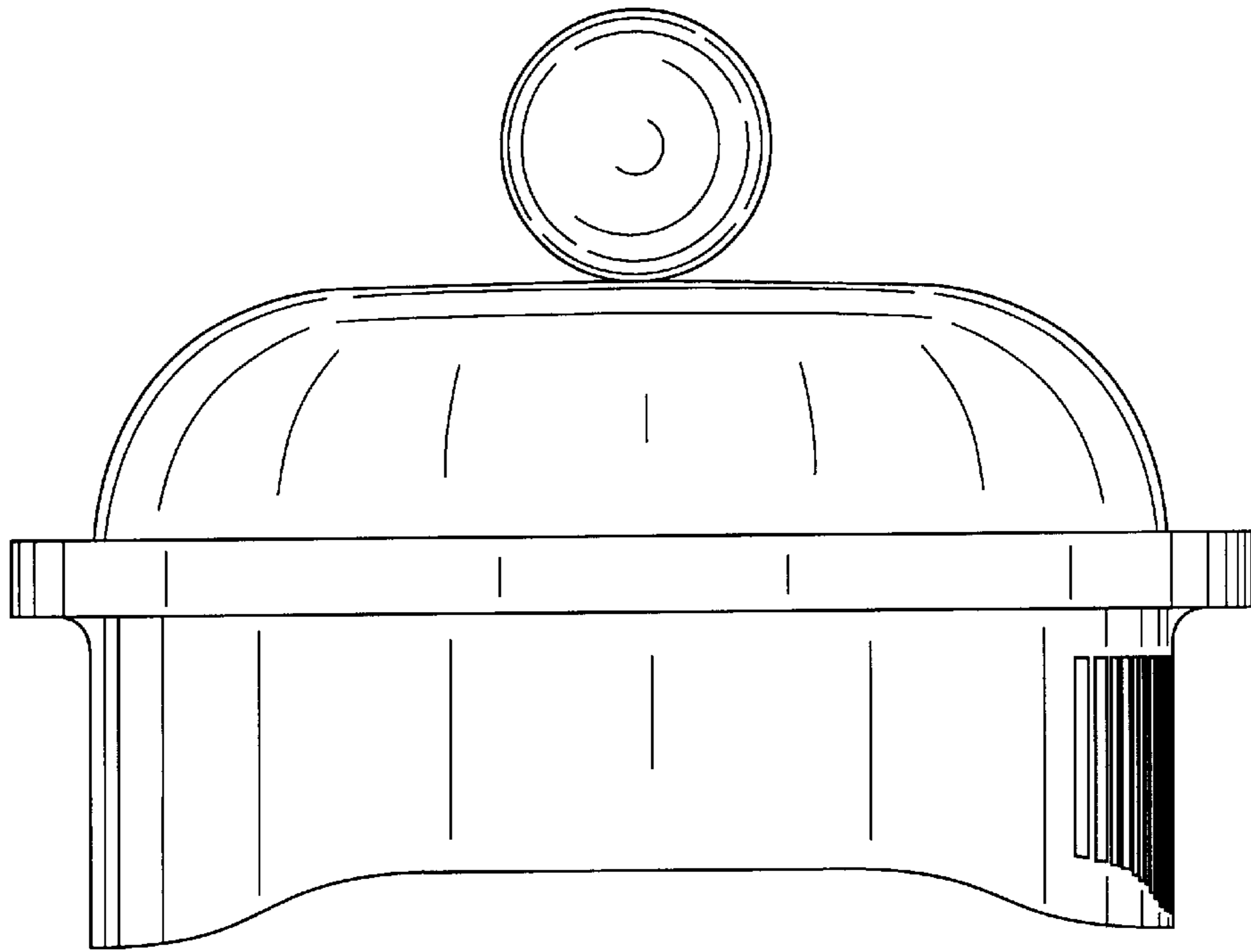


FIG. 3

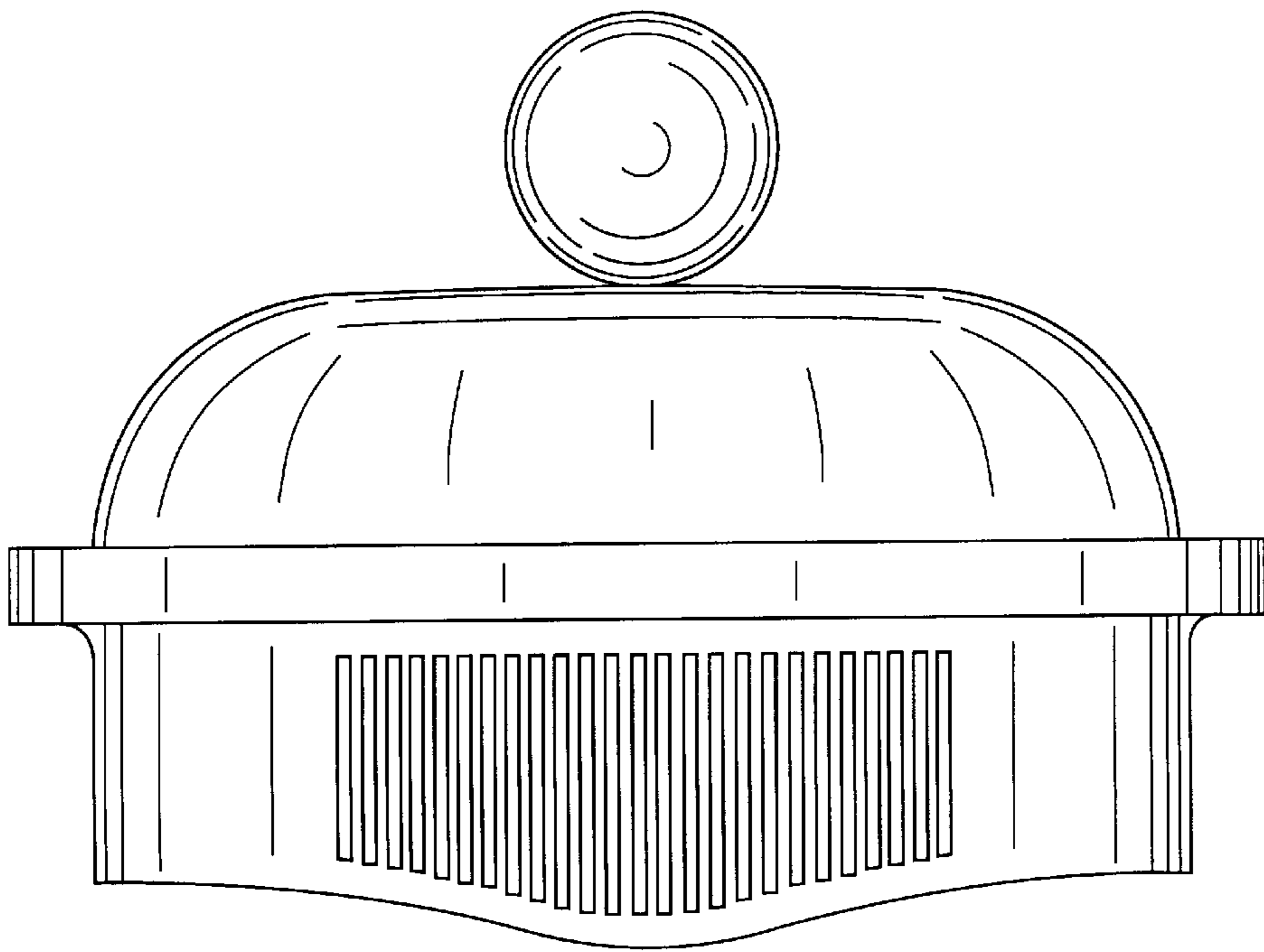


FIG. 4

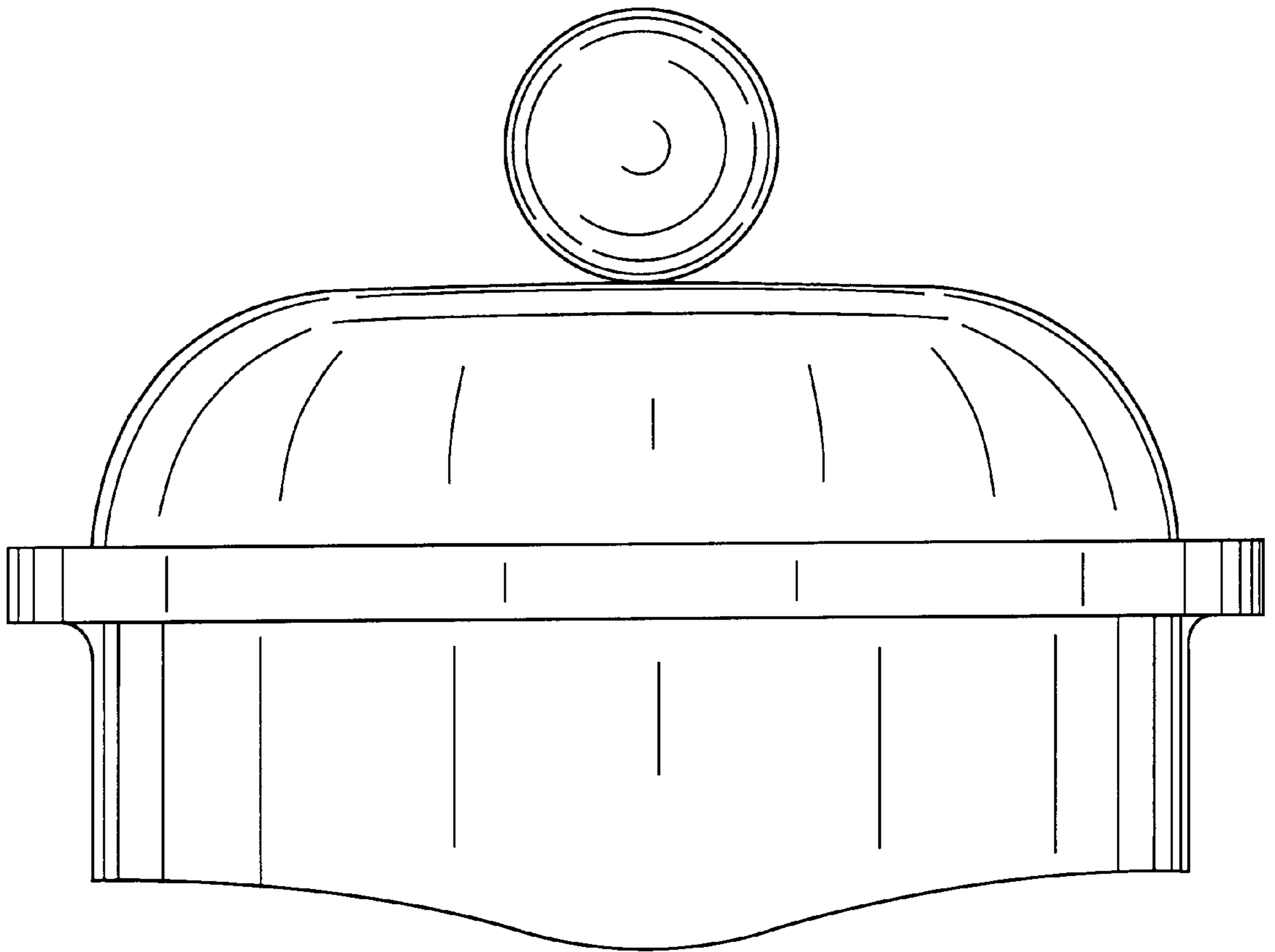


FIG. 5

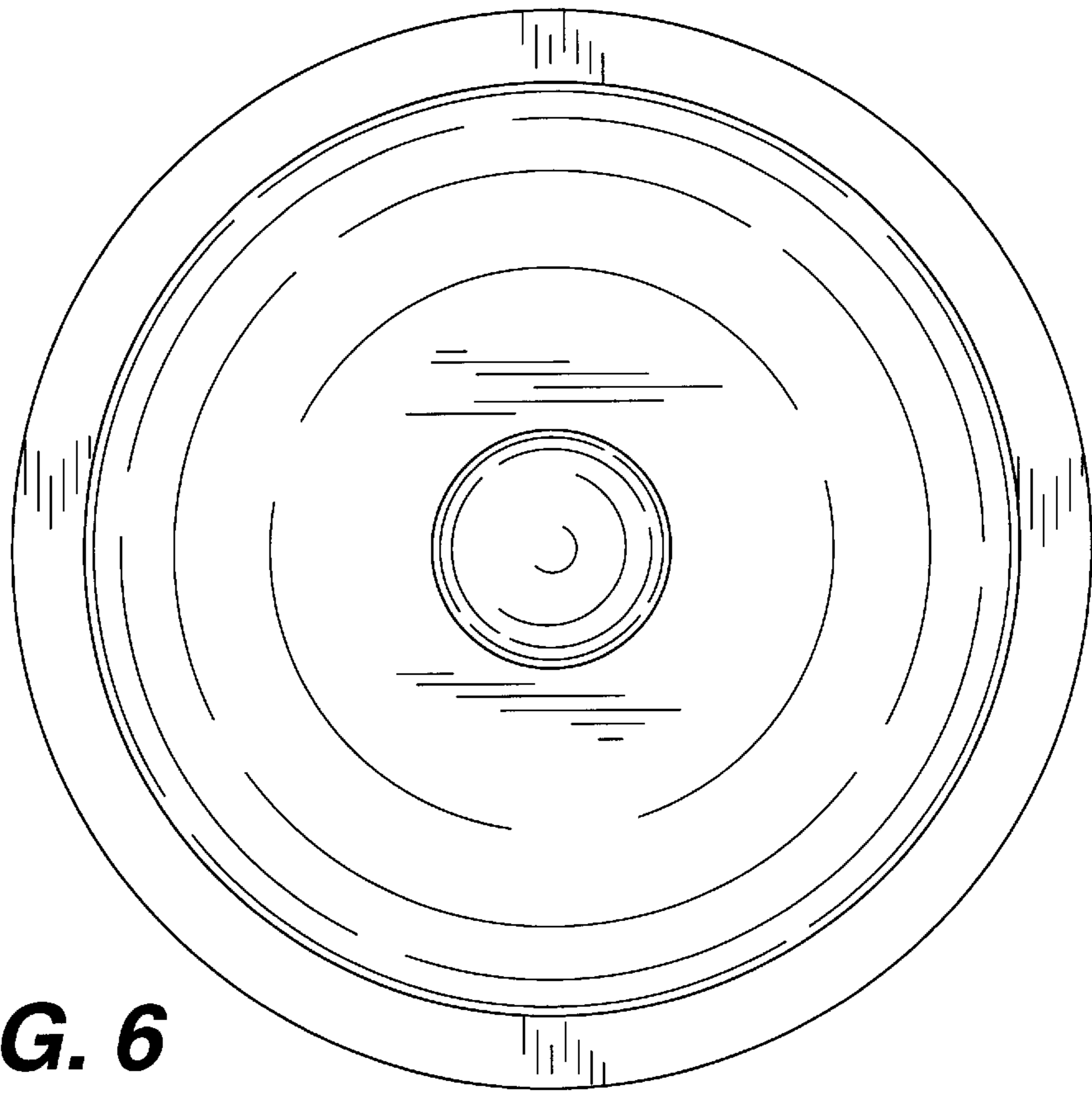


FIG. 6

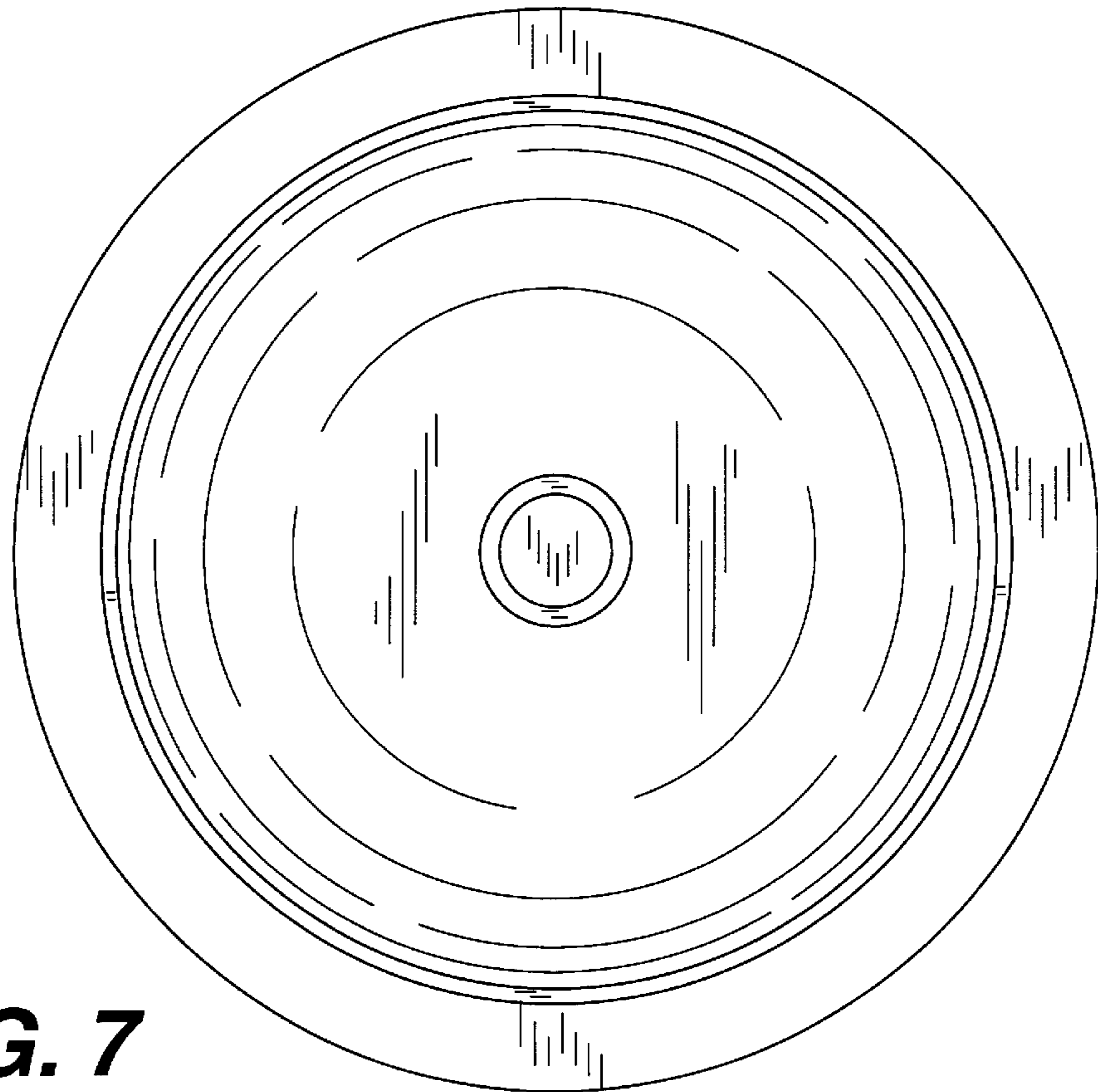


FIG. 7