



US00D413483S

United States Patent [19]
Roussard

[11] **Patent Number: Des. 413,483**

[45] **Date of Patent: ** Sep. 7, 1999**

[54] **PRESSURE COOKER**

D. 400,393 11/1998 Ranzoni D7/360

[75] Inventor: **Phillippe Roussard**, Selongey, France

Primary Examiner—Caron D. Veynar
Attorney, Agent, or Firm—Pillsbury Madison & Sutro

[73] Assignee: **SEB**, Selongey, France

[**] Term: **14 Years**

[57] **CLAIM**

The ornamental design for a pressure cooker, as shown.

[21] Appl. No.: **29/097,203**

[22] Filed: **Dec. 1, 1998**

DESCRIPTION

[30] **Foreign Application Priority Data**

Jun. 2, 1998 [FR] France 98 3324

FIG. 1 is a front elevational view of a pressure cooker according to my new design;

FIG. 2 is a rear elevational view thereof;

FIG. 3 is a right side elevational view thereof;

FIG. 4 is a left side elevational view thereof;

FIG. 5 is a top plan view thereof;

FIG. 6 is a bottom plan view thereof; and,

FIG. 7 is a perspective view thereof; seen from above and to the right.

[51] **LOC (6) Cl.** **07-02**

[52] **U.S. Cl.** **D7/358**

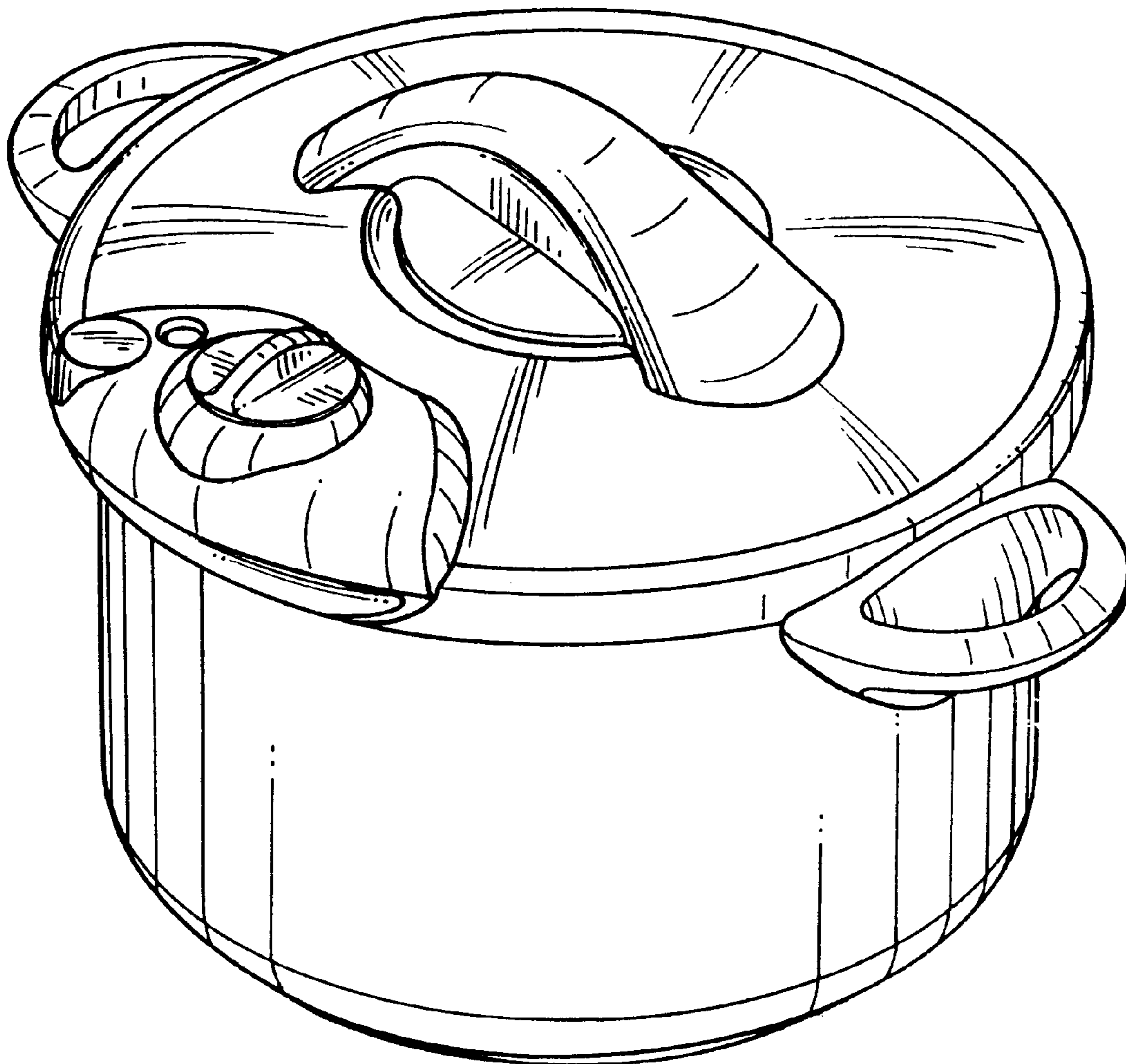
[58] **Field of Search** D7/354-361, 391-395,
D7/500; 220/573.1, 912

[56] **References Cited**

U.S. PATENT DOCUMENTS

D. 345,485 3/1994 Leung D7/360

1 Claim, 4 Drawing Sheets



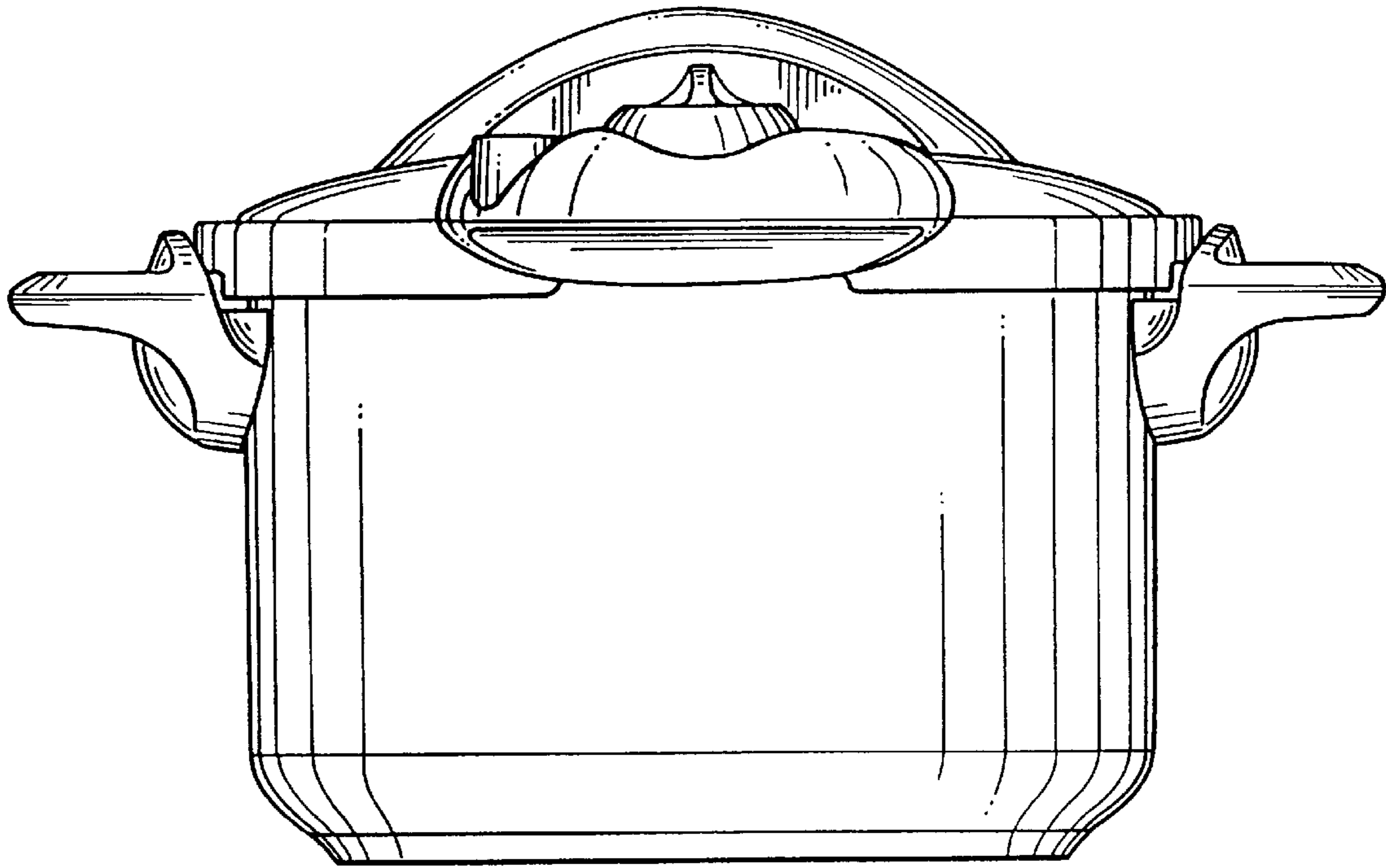


FIG. 1

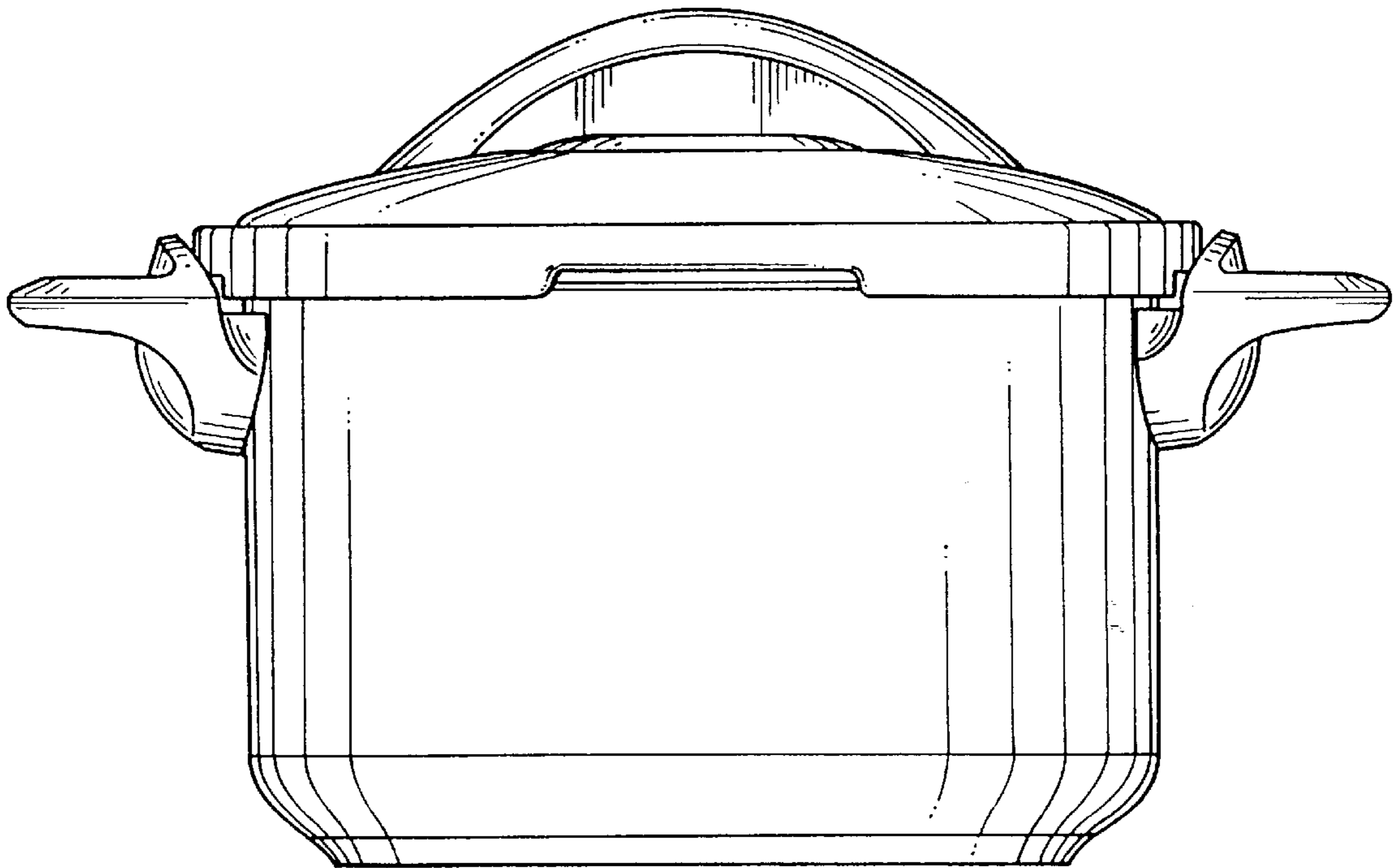


FIG. 2

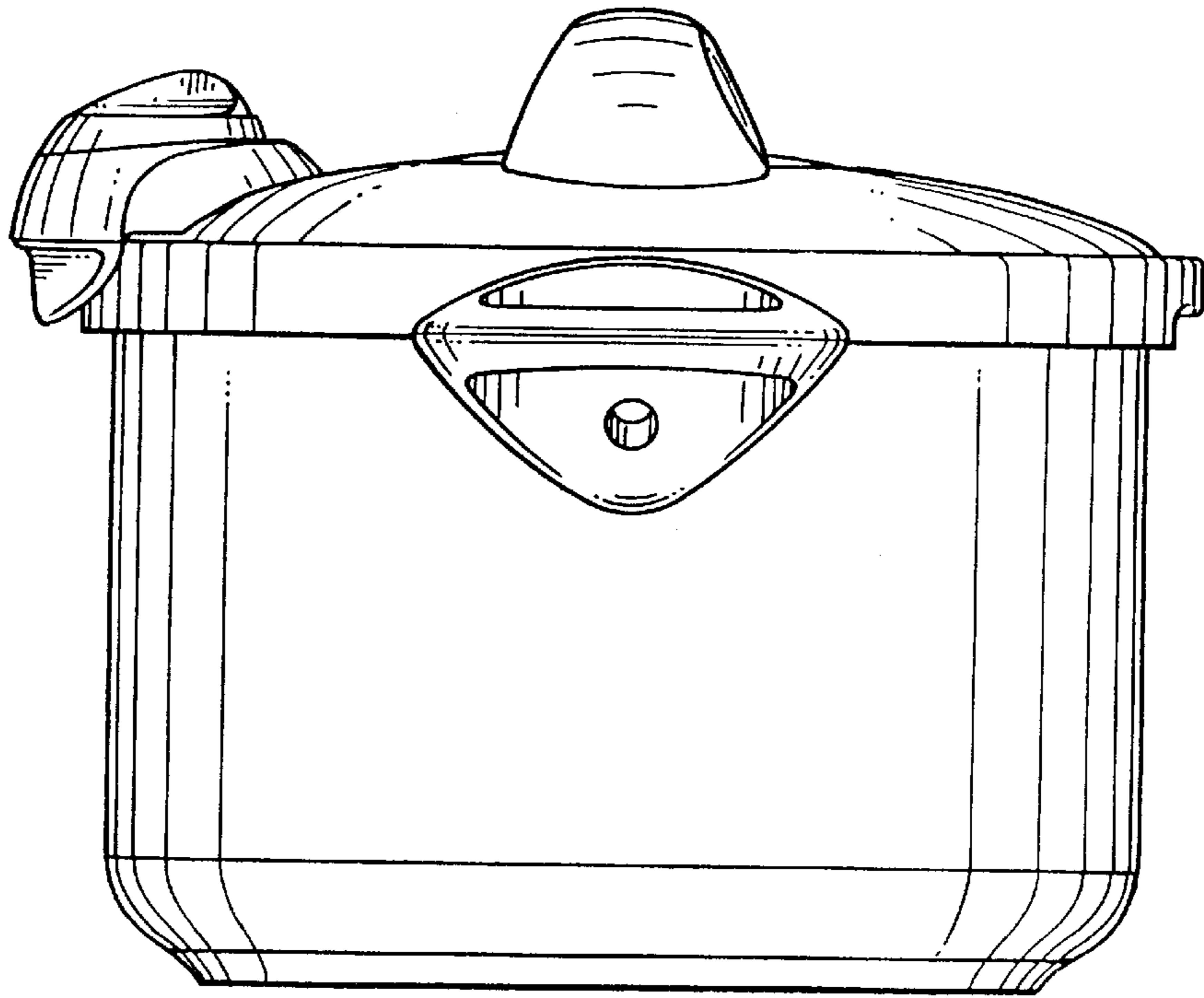


FIG. 3

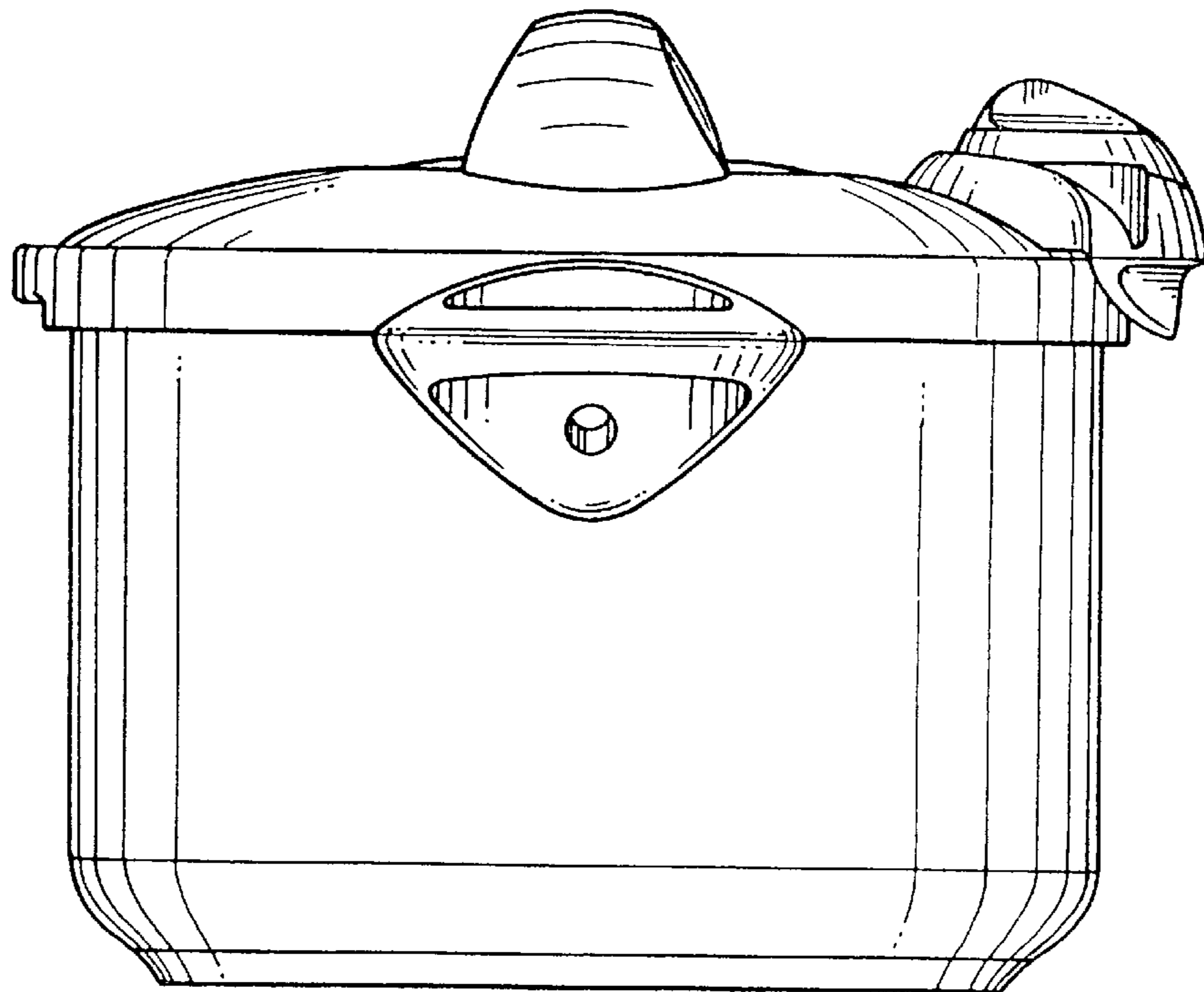


FIG. 4

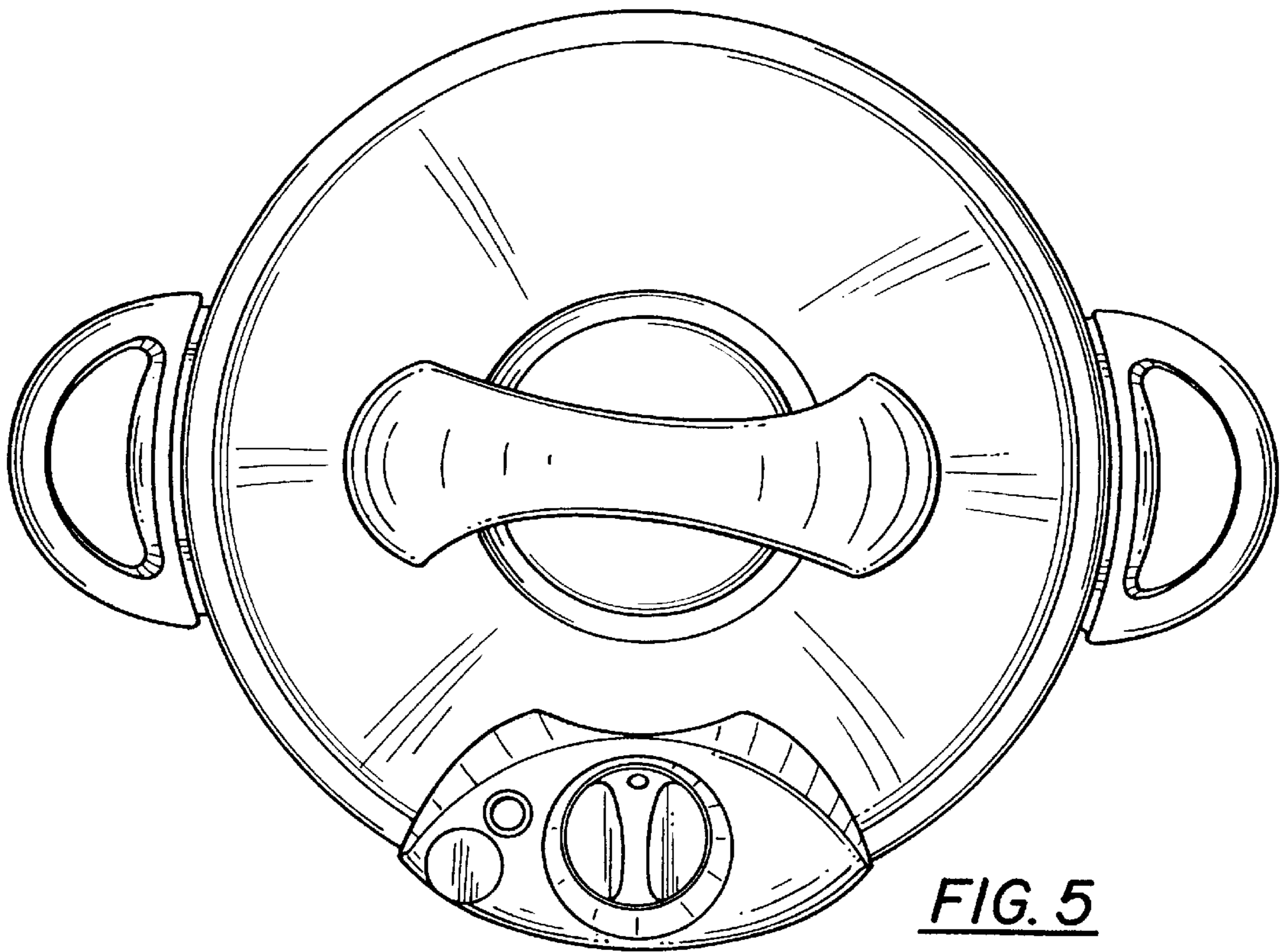


FIG. 5

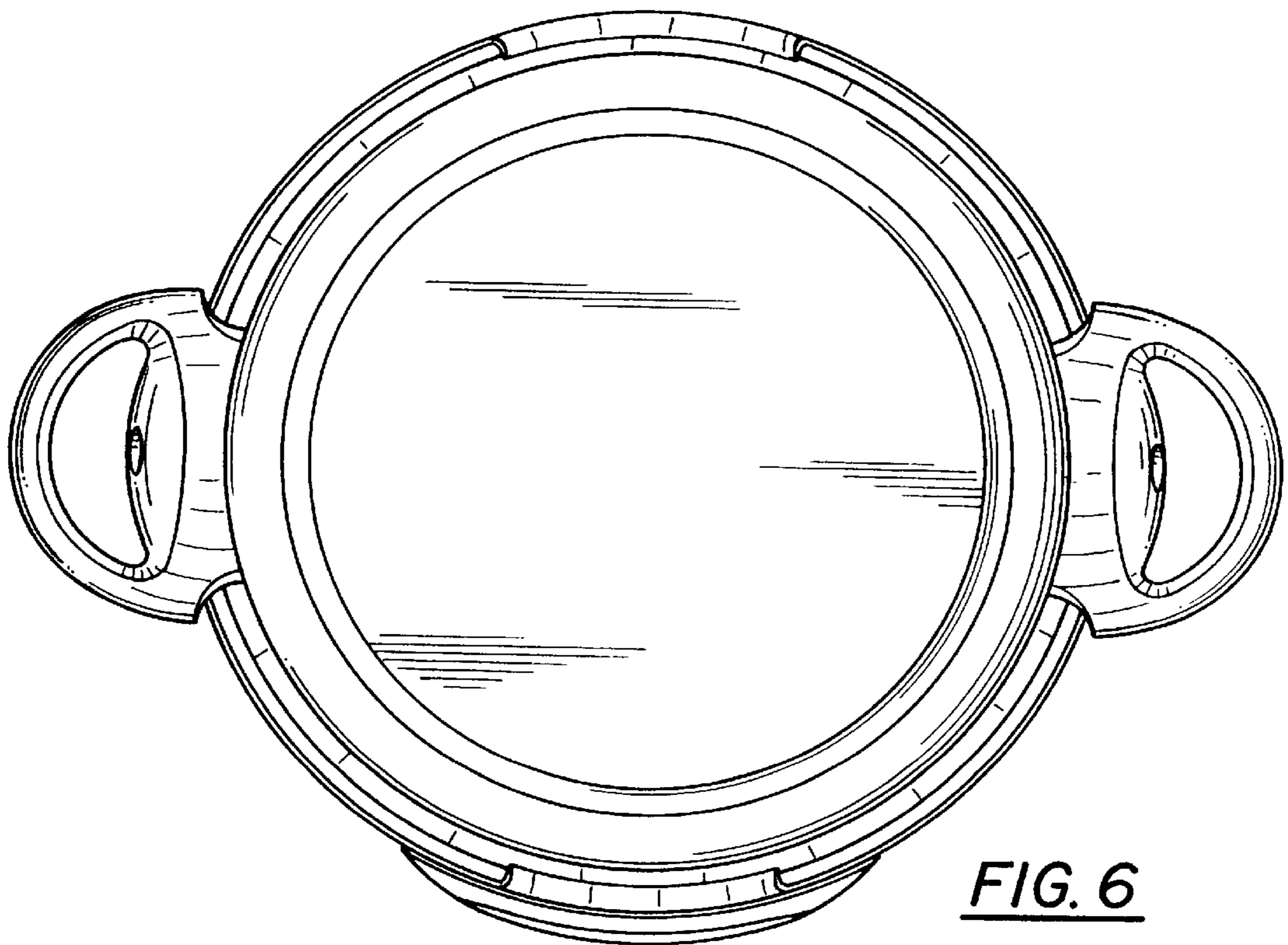


FIG. 6

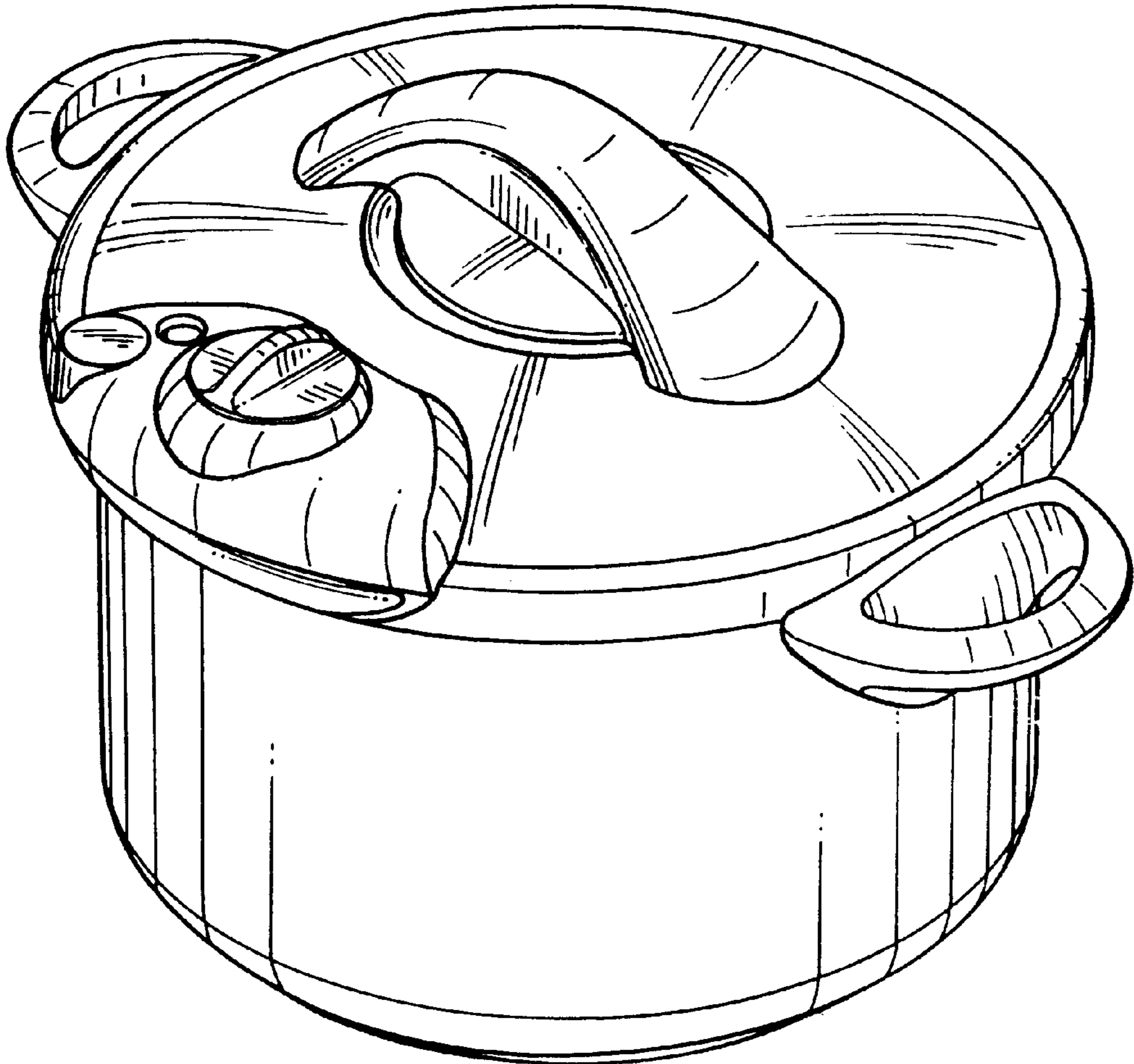


FIG. 7