



US00D413480S

United States Patent [19] Joergensen

[11] Patent Number: **Des. 413,480**

[45] Date of Patent: **** Sep. 7, 1999**

[54] **COFFEE MAKER**

[75] Inventor: **Carsten Joergensen**, St. Niklausen, Switzerland

[73] Assignee: **PI-Design AG**, Triengen, Switzerland

[**] Term: **14 Years**

[21] Appl. No.: **29/087,917**

[22] Filed: **May 12, 1998**

[30] **Foreign Application Priority Data**

Nov. 14, 1997 [DK] Denmark MA 1167/97

[51] **LOC (6) Cl.** **07-01**

[52] **U.S. Cl.** **D7/317; D7/318**

[58] **Field of Search** D7/316, 317, 318,
D7/319, 312, 305, 321, 322; 222/465.1,
475.1, 472

[56] **References Cited**

U.S. PATENT DOCUMENTS

- D. 343,333 1/1994 Jorgensen D7/317
- D. 372,627 8/1996 Ireland D7/319

- D. 377,132 1/1997 Jorgensen D7/318
- D. 382,764 8/1997 Brady D7/317
- D. 384,539 10/1997 Joergensen D7/318
- D. 386,040 11/1997 Joergensen D7/319
- D. 388,275 12/1997 Joergensen D7/319
- D. 401,466 11/1998 Joergensen D7/318
- D. 403,200 12/1998 Joergensen D7/317

Primary Examiner—M. N. Pandozzi
Attorney, Agent, or Firm—Nath & Associates; Gary M. Nath

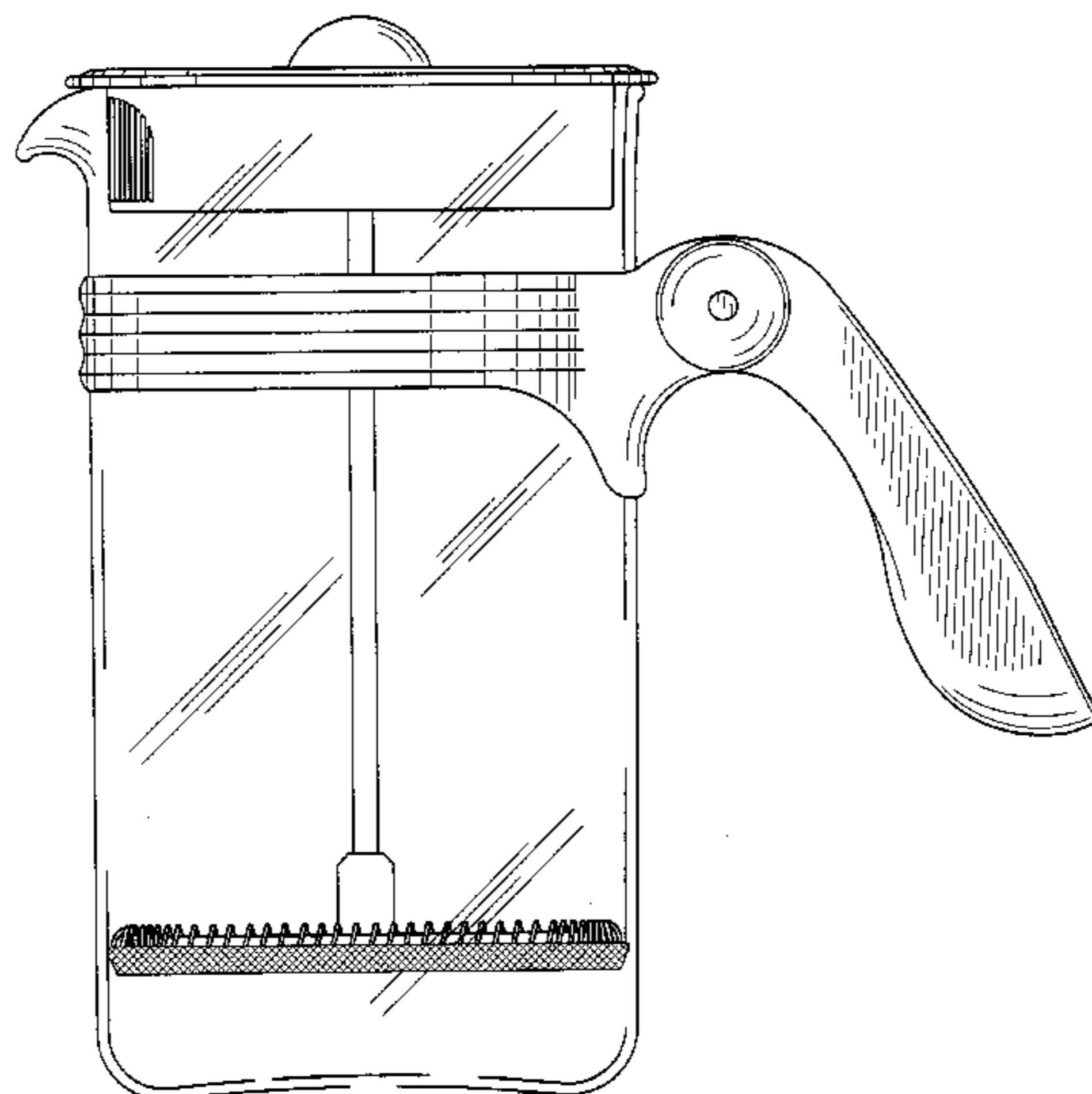
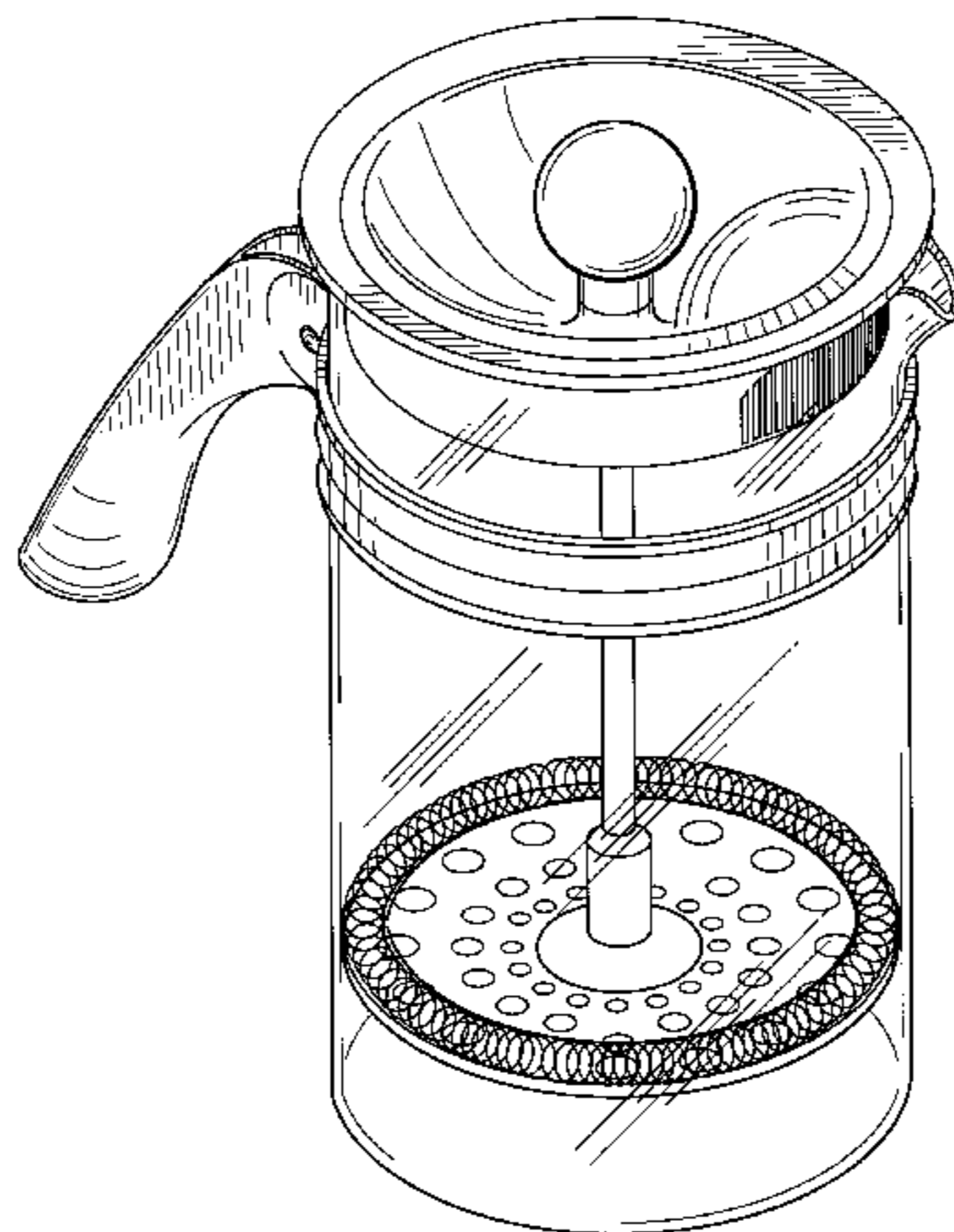
[57] **CLAIM**

The ornamental design for a coffee maker, as shown and described.

DESCRIPTION

FIG. 1 is an oblique perspective view of the coffee maker; FIG. 2 is a right side view of the coffee maker, as shown in FIG. 1; FIG. 3 is a left side view of the coffee maker; FIG. 4 is a front side view of the coffee maker; FIG. 5 is a back side view of the coffee maker; FIG. 6 is a top view of the coffee maker; and, FIG. 7 is a bottom view of the coffee maker.

1 Claim, 7 Drawing Sheets



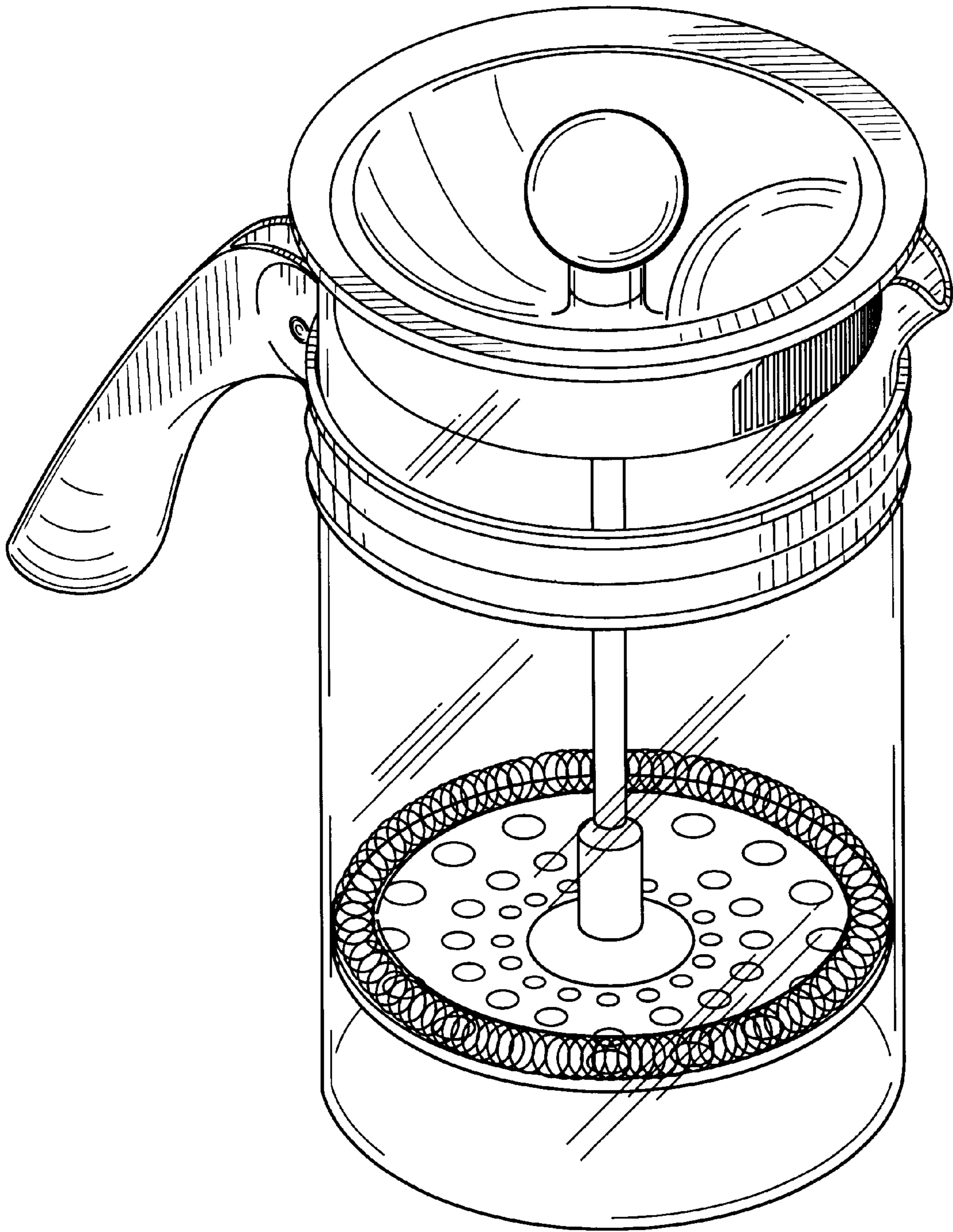


FIG. 1

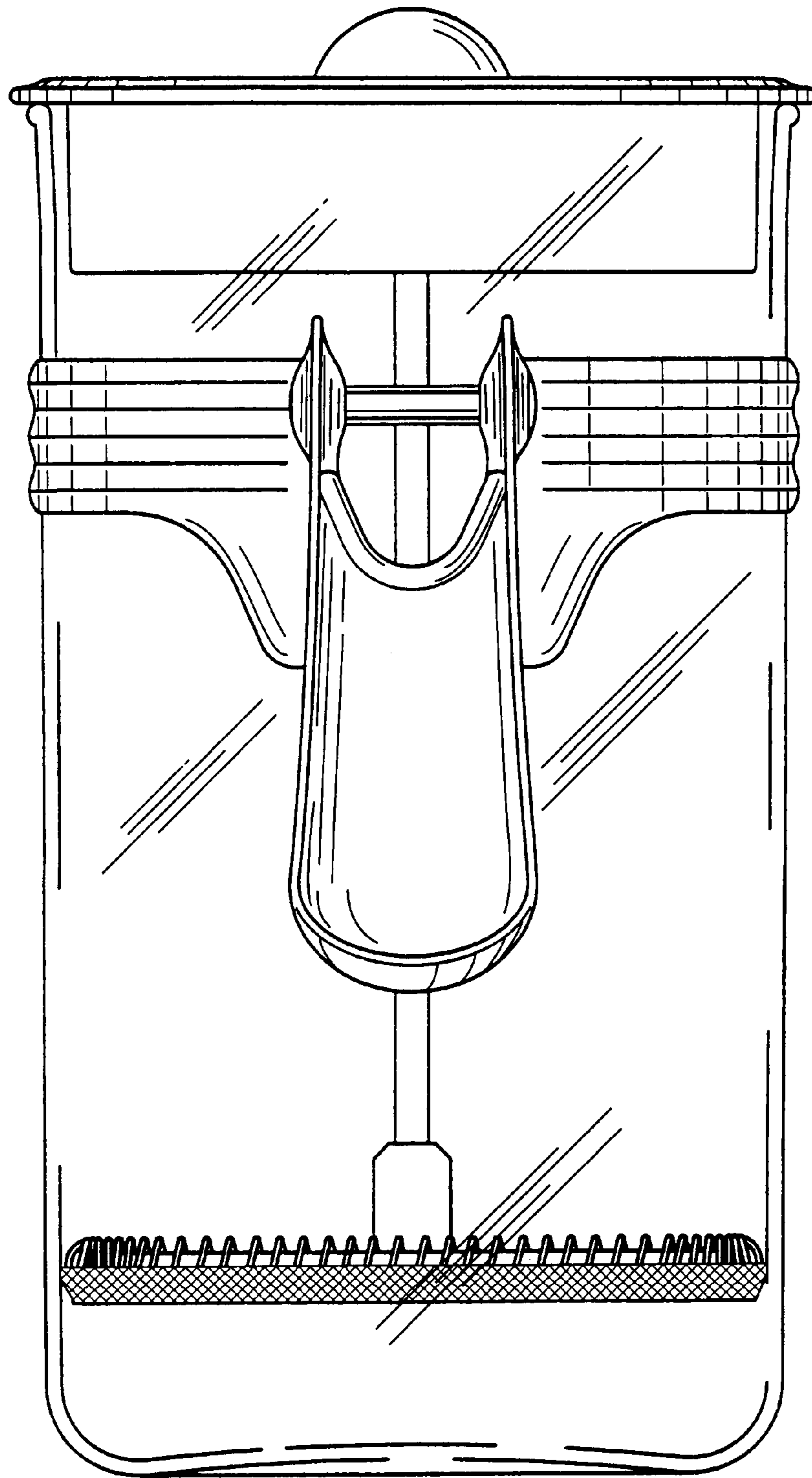


FIG. 2

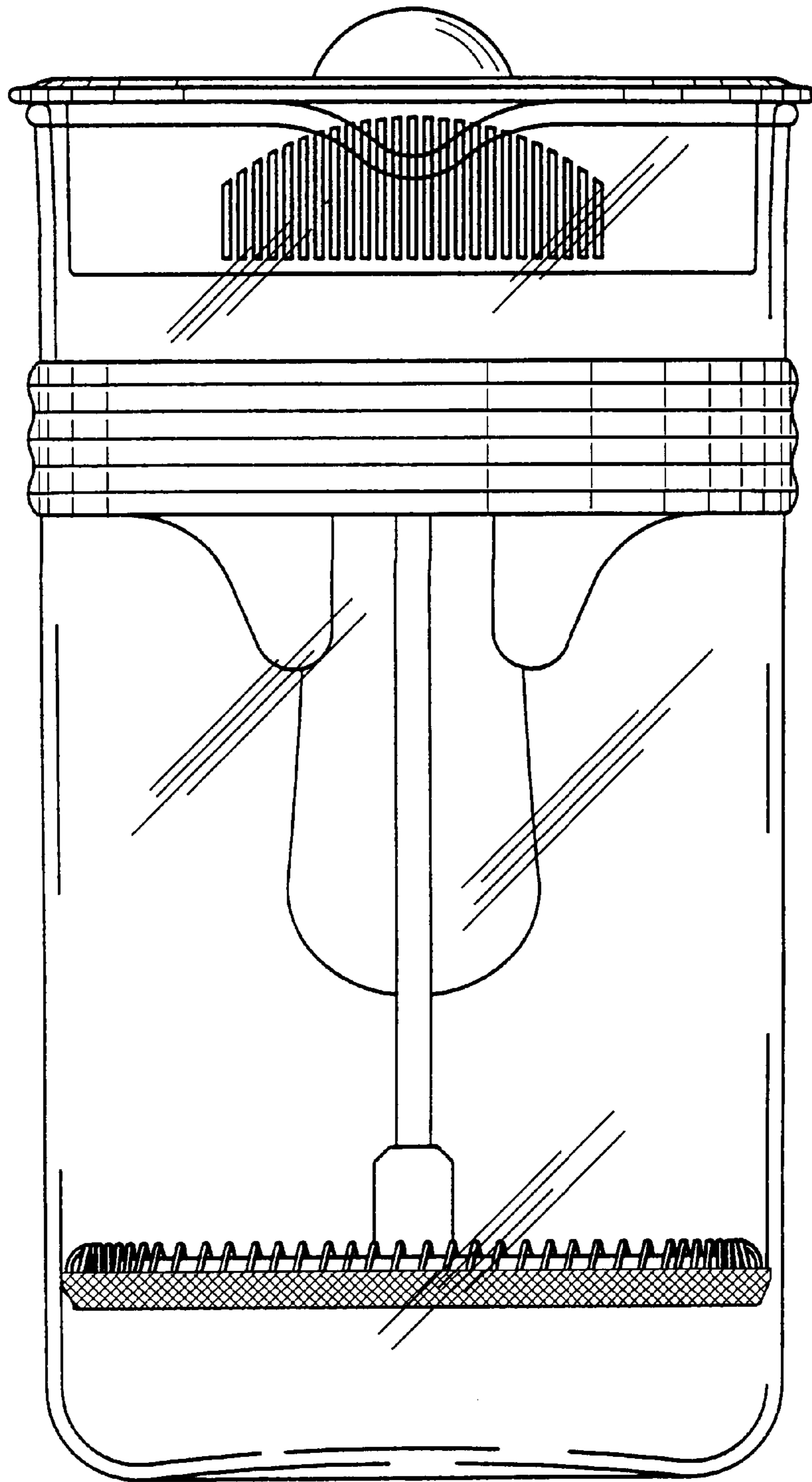


FIG. 3

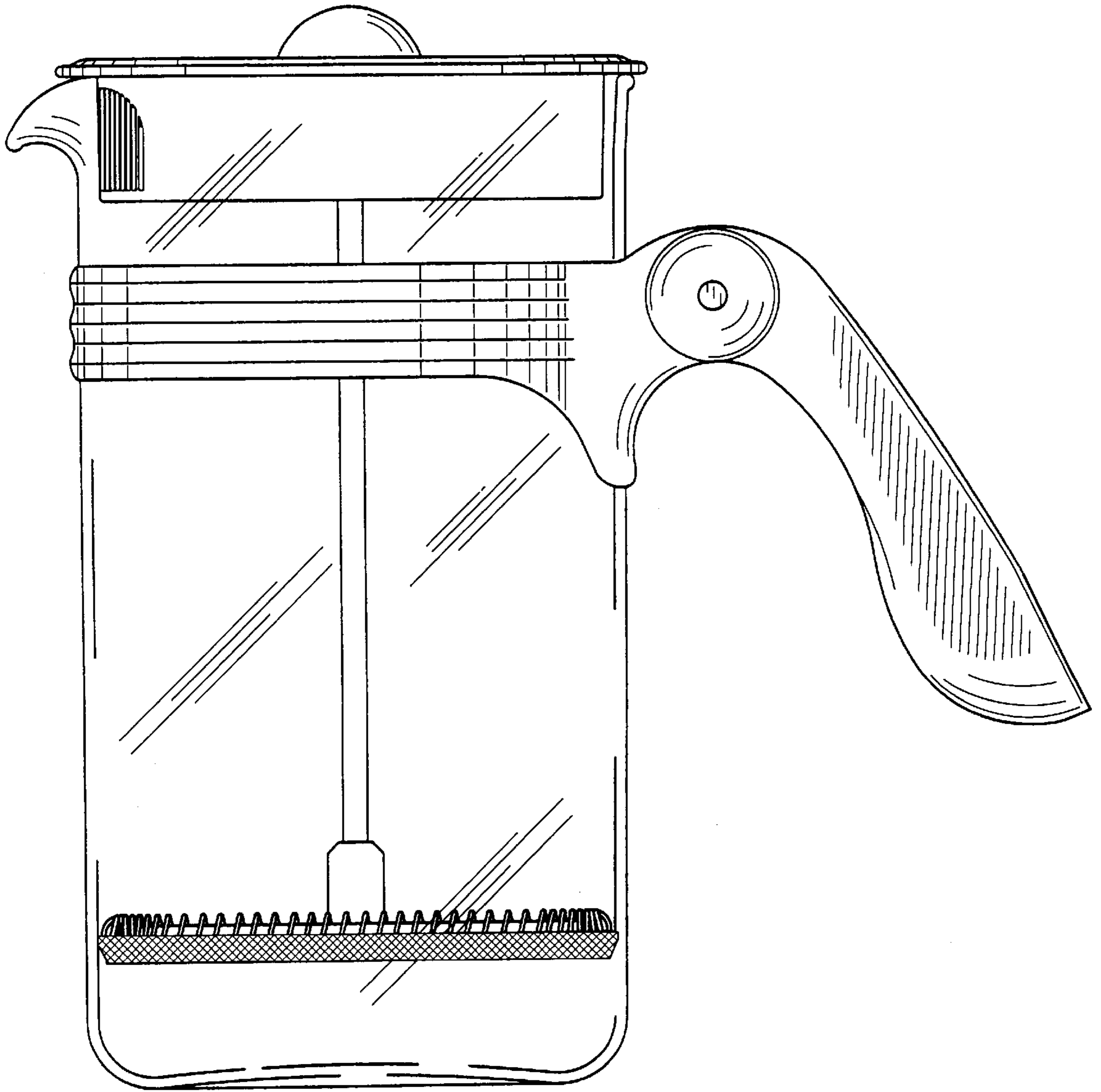


FIG. 4

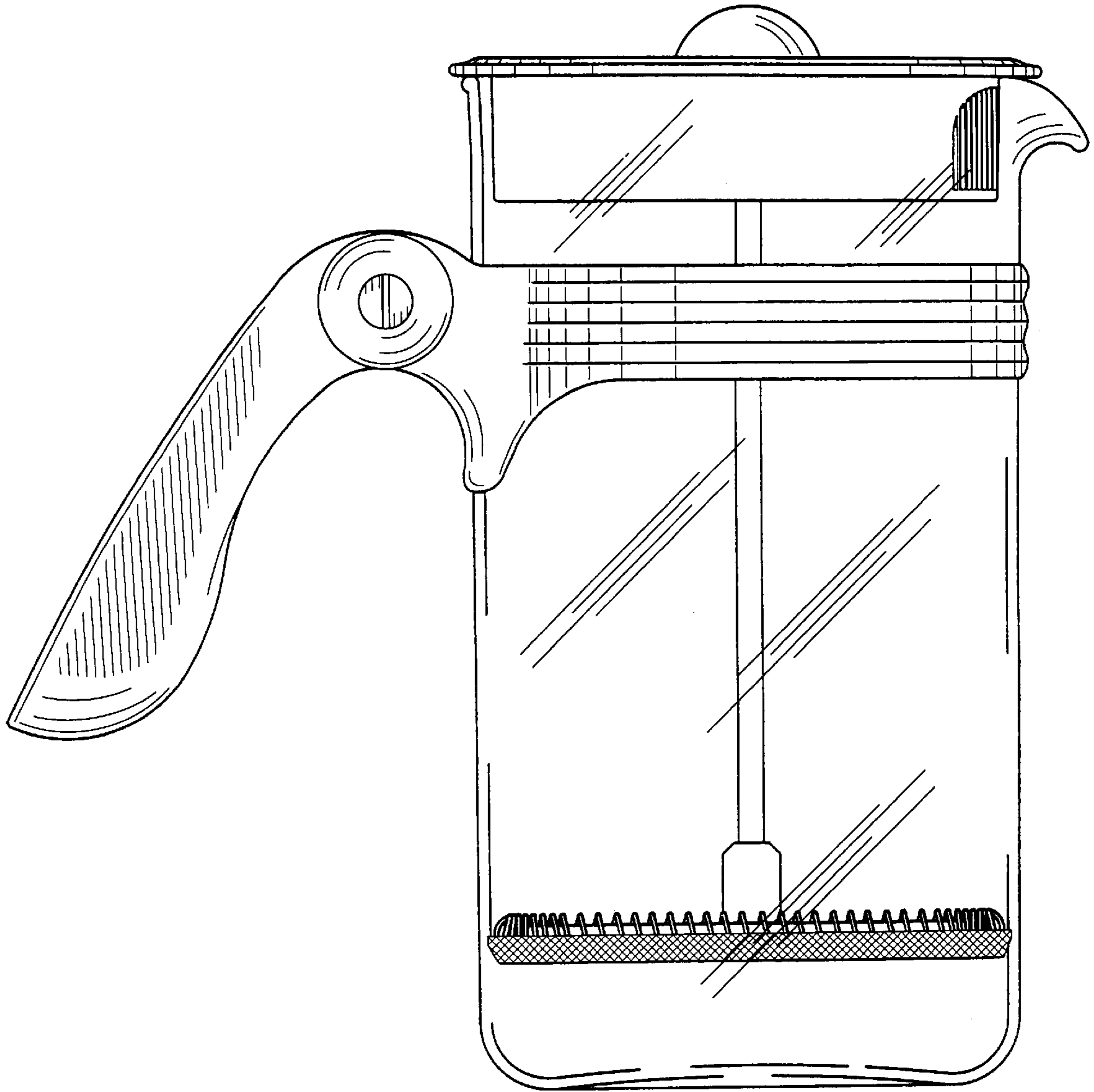


FIG. 5

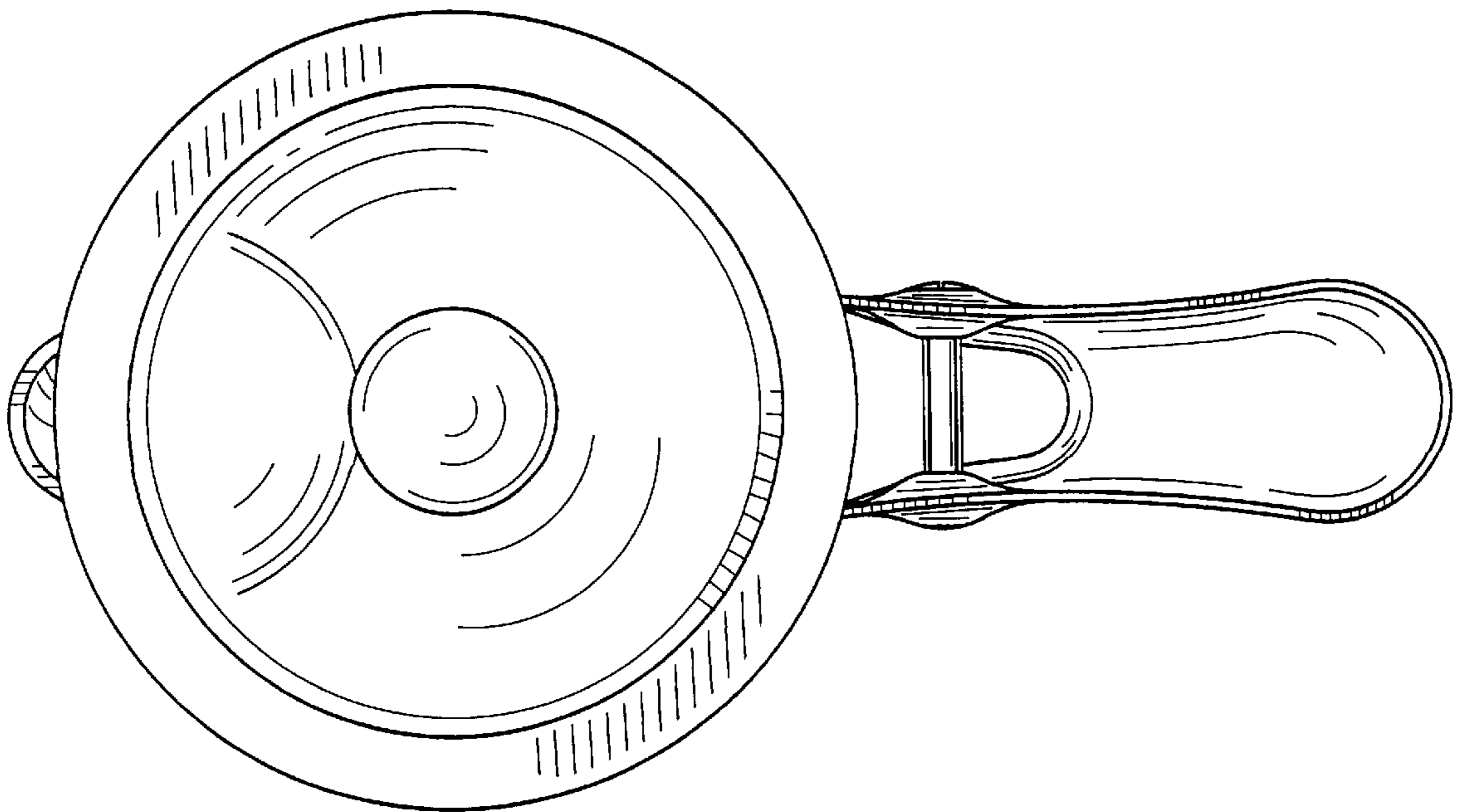


FIG. 6

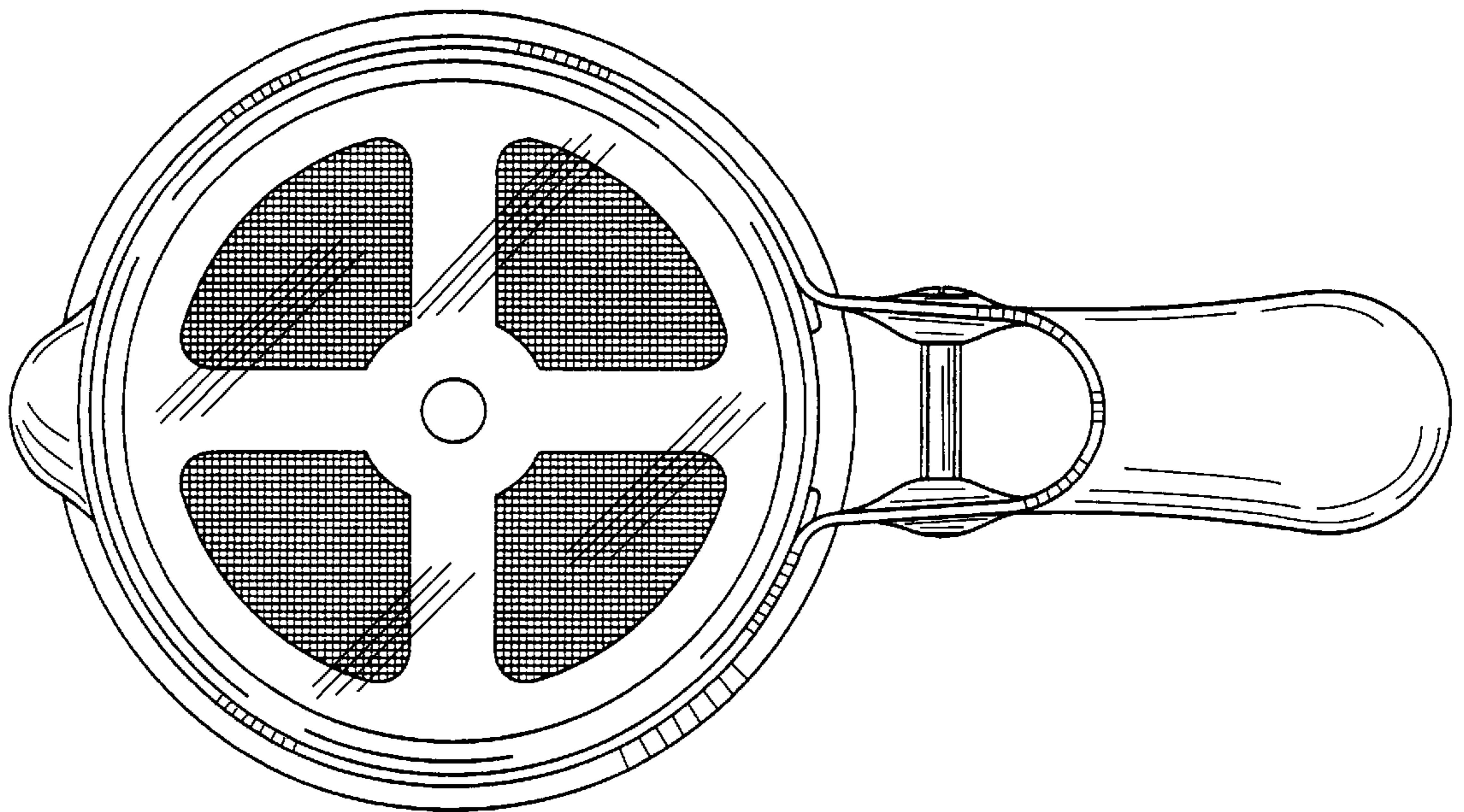


FIG. 7