



US00D413479S

United States Patent [19]

[11] Patent Number: **Des. 413,479**

Mork et al.

[45] Date of Patent: **** Sep. 7, 1999**

- [54] **COFFEE MAKER AND CARAFE**
- [75] Inventors: **Steve O. Mork**, Lowell, Mich.; **Ronald J. Vish**, Somerville, Mass.
- [73] Assignee: **Amway Corporation**, Ada, Mich.
- [**] Term: **14 Years**
- [21] Appl. No.: **29/097,349**
- [22] Filed: **Dec. 4, 1998**
- [51] **LOC (6) Cl.** **07-01**
- [52] **U.S. Cl.** **D7/309; D7/310; D7/311**
- [58] **Field of Search** **D7/309, 310, 311, D7/305, 300; 99/295, 293, 290, 306**

- D. 369,268 4/1996 Assmann et al. D7/309
- D. 371,271 7/1996 Seiffert et al. D7/309
- D. 375,016 10/1996 Ullmann D7/319
- D. 378,722 4/1997 Brady D7/319
- D. 386,039 11/1997 Dingelstad D7/309
- D. 386,934 12/1997 Huang D7/319
- D. 387,946 12/1997 Hippen D7/309
- D. 389,005 1/1998 Brady D7/319
- D. 390,409 2/1998 Littmann D7/309
- D. 391,439 3/1998 Mork et al. D7/310 X
- D. 393,174 4/1998 Mork et al. D7/318
- D. 394,981 6/1998 Huang D7/319
- D. 394,982 6/1998 Huang D7/319
- D. 400,045 10/1998 Schade D7/311 X
- 3,114,484 12/1963 Serio .
- 3,321,115 5/1967 Rendahl .
- 4,251,004 2/1981 Sun .
- 4,825,757 5/1989 Stoner 99/279
- 4,833,978 5/1989 Martone et al. 99/280
- 5,503,060 4/1996 Morecroft et al. 99/295

[56] References Cited

U.S. PATENT DOCUMENTS

- D. 134,876 1/1943 Schneider .
- D. 186,182 9/1959 Wickenberg .
- D. 193,523 9/1962 Douglas .
- D. 219,056 10/1970 Gibson .
- D. 225,365 12/1972 Beckman .
- D. 228,053 8/1973 Knox .
- D. 233,974 12/1974 Kiernan .
- D. 241,400 9/1976 Painter .
- D. 241,401 9/1976 Painter .
- D. 266,978 11/1982 Huisman D7/309
- D. 286,732 11/1986 Darnell D7/319
- D. 292,664 11/1987 Zimmermann D7/317
- D. 336,000 6/1993 Barrault D7/309
- D. 340,833 11/1993 Del Frasco D7/309
- D. 347,961 6/1994 Beeren D7/309
- D. 354,879 1/1995 Ullmann .
- D. 355,329 2/1995 Ullmann D7/317
- D. 356,712 3/1995 Brady D7/309
- D. 367,798 3/1996 Storsberg D7/309
- D. 369,058 4/1996 Simmons D7/319

Primary Examiner—M. N. Pandozzi
Attorney, Agent, or Firm—Warner Norcross & Judd

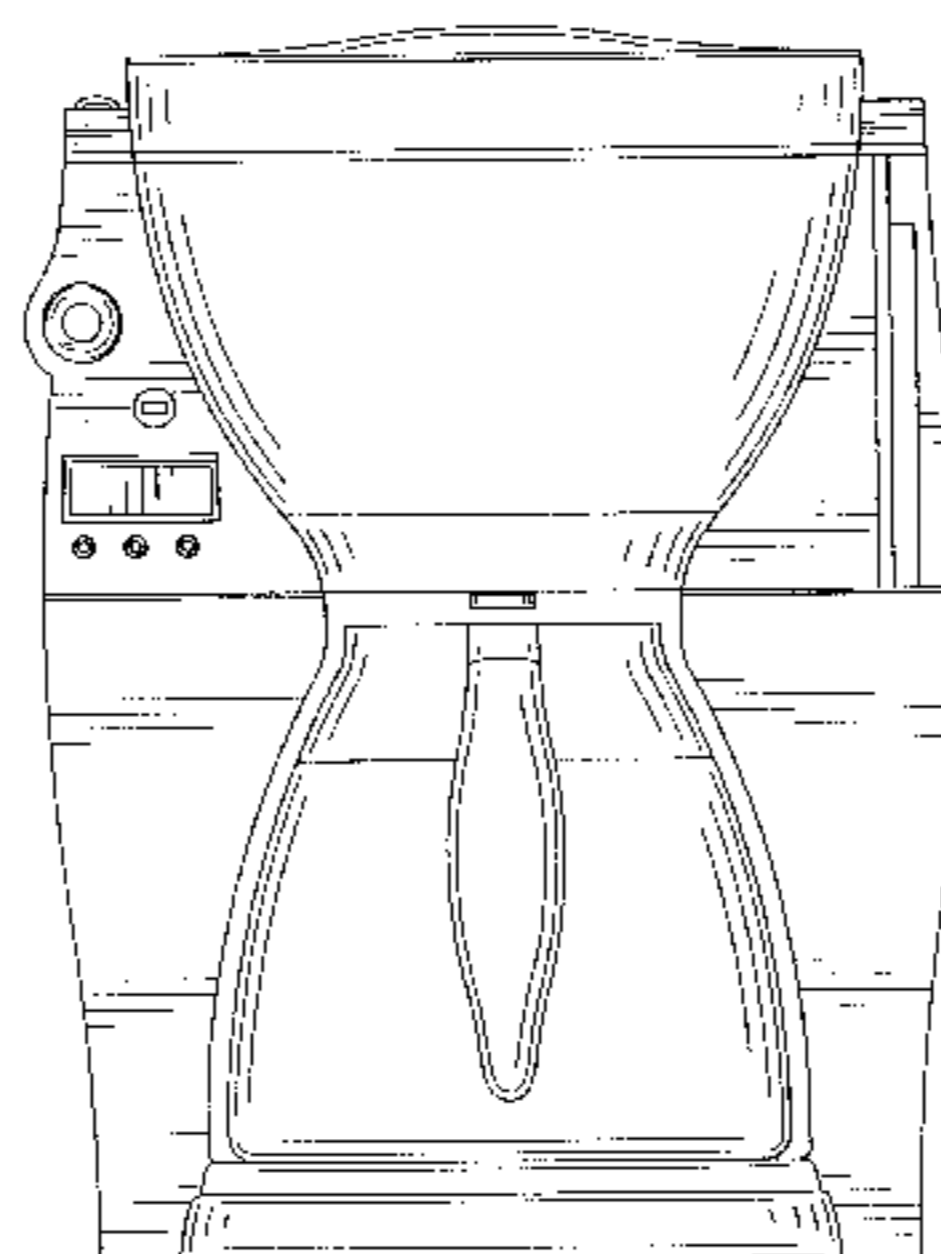
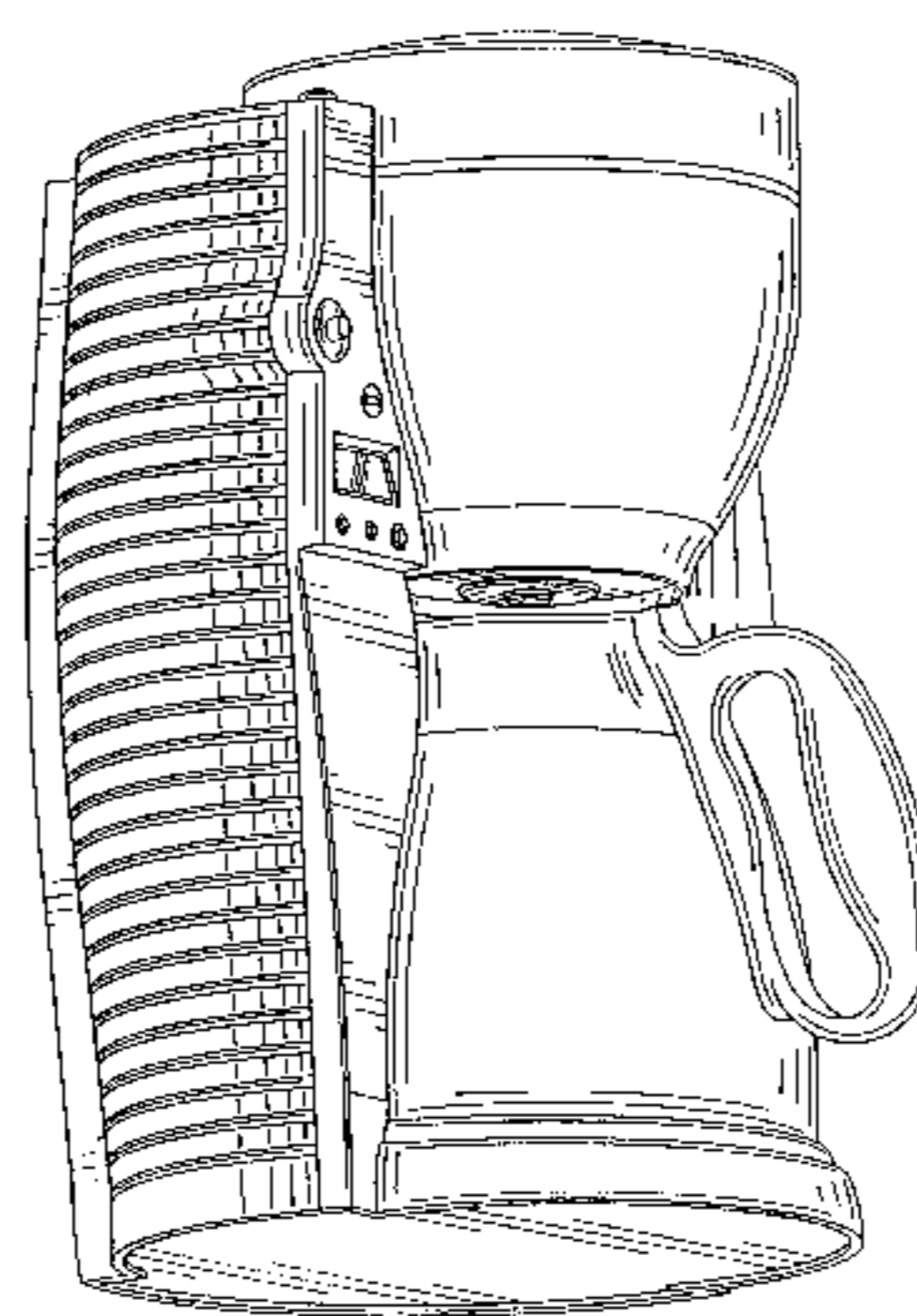
[57] CLAIM

The ornamental design for coffee maker and carafe, as shown and described.

DESCRIPTION

FIG. 1 is a bottom perspective view of the coffee maker and carafe embodying the new design; FIG. 2 is a top perspective view thereof; FIG. 3 is a front elevational view thereof; FIG. 4 is a left side elevational view thereof; FIG. 5 is a right side elevational view thereof; FIG. 6 is a rear elevational view thereof; FIG. 7 is a bottom plan view thereof; and, FIG. 8 is a top plan view thereof.

1 Claim, 7 Drawing Sheets



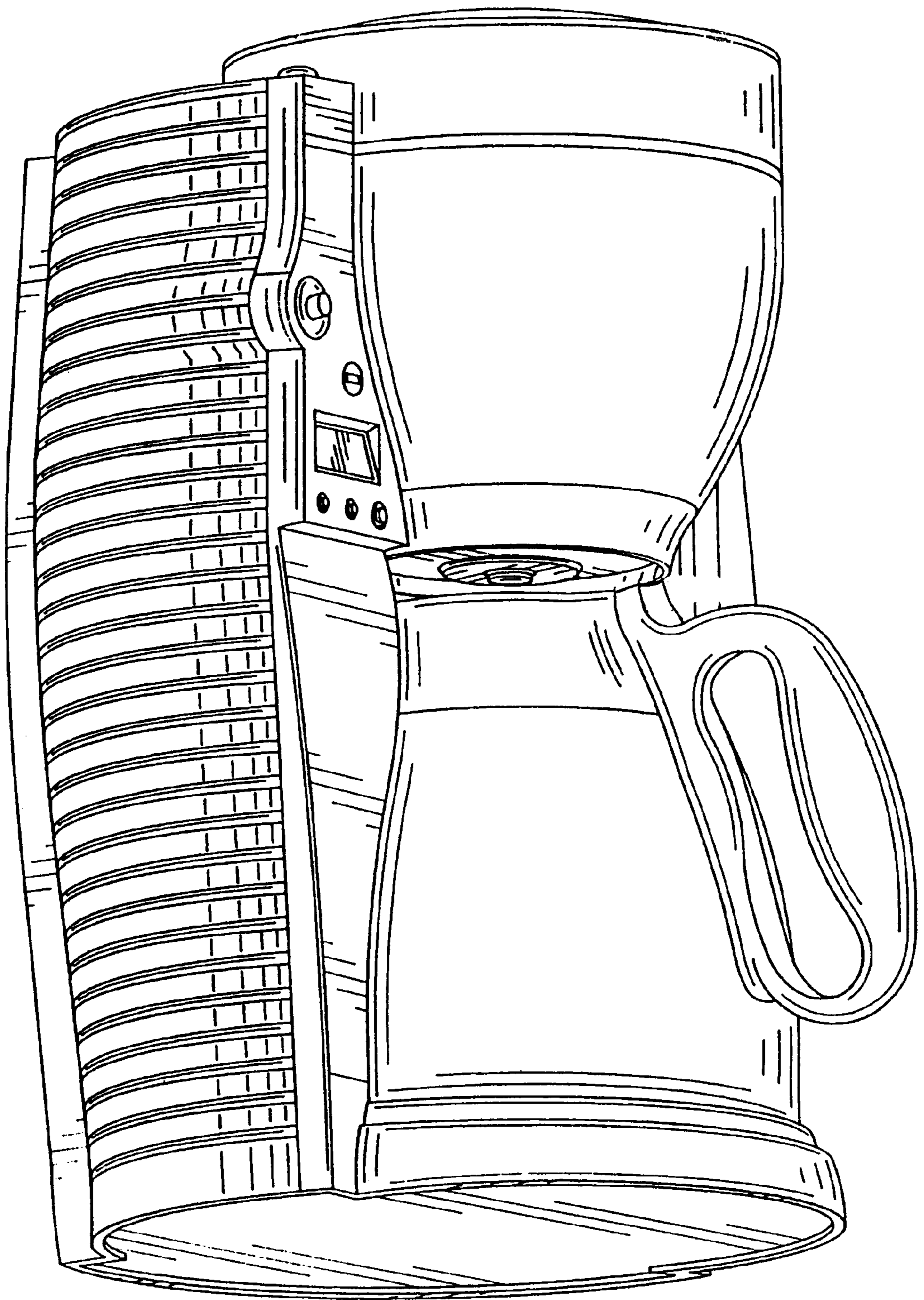


FIG. 1

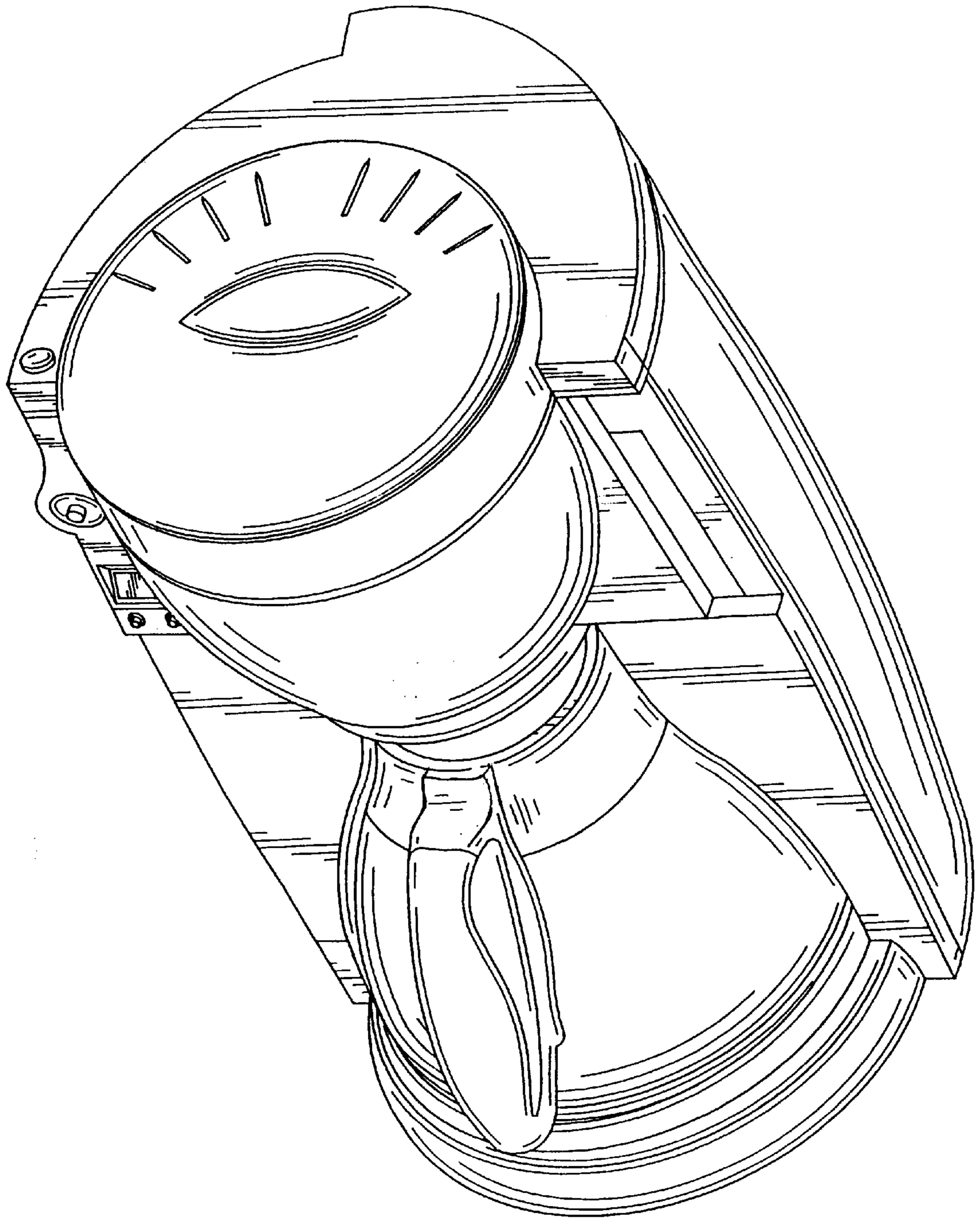


FIG. 2

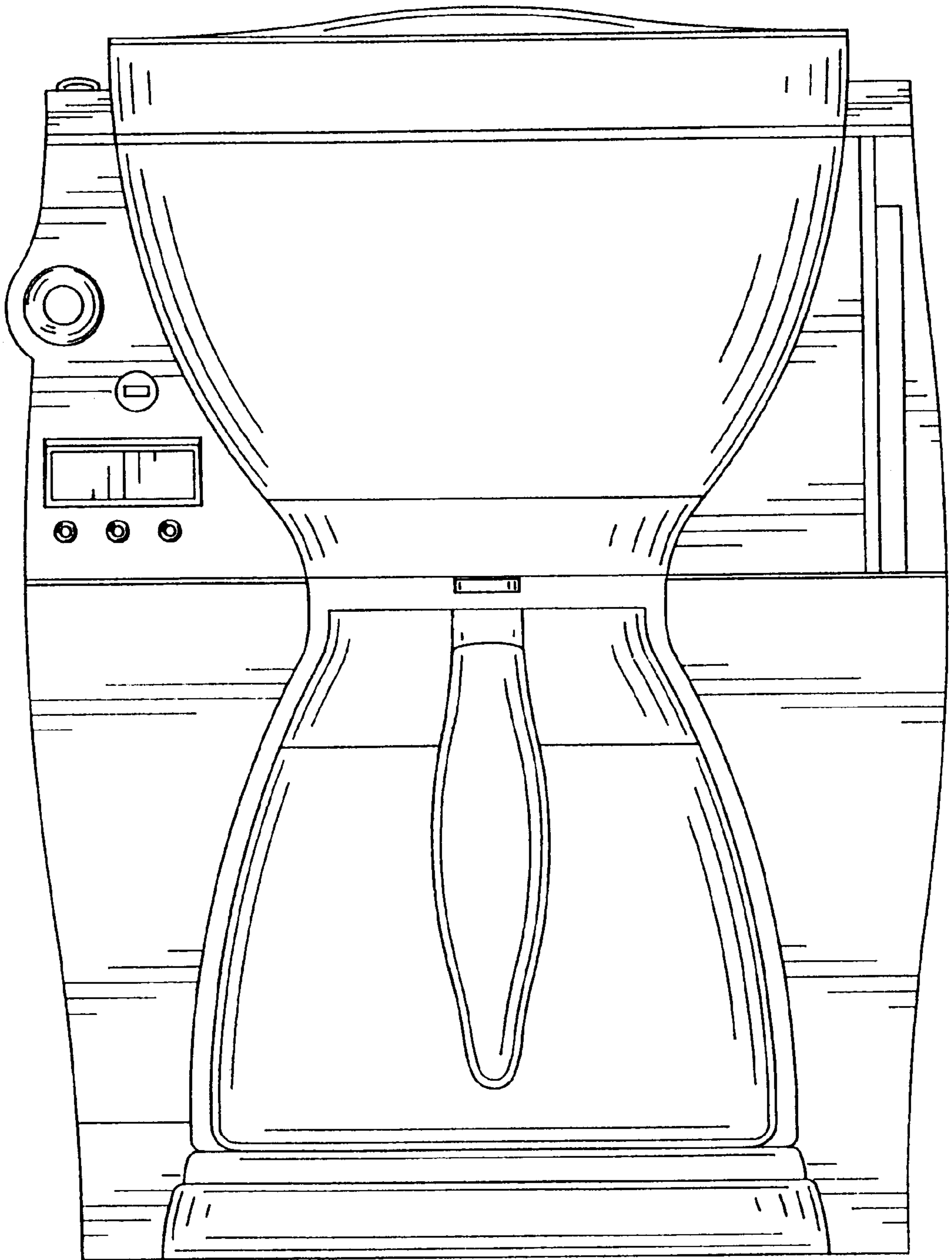


FIG. 3

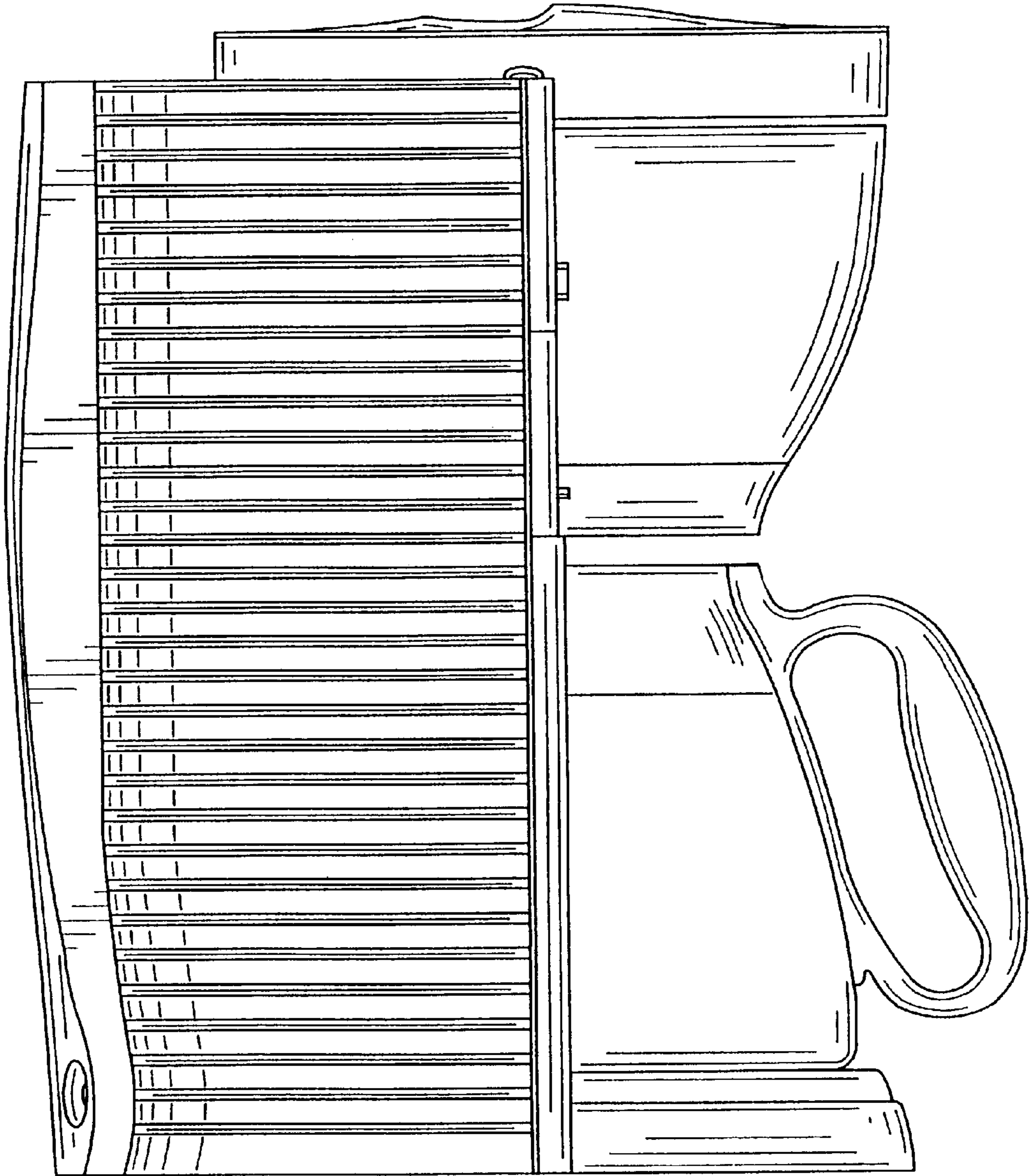


FIG. 4

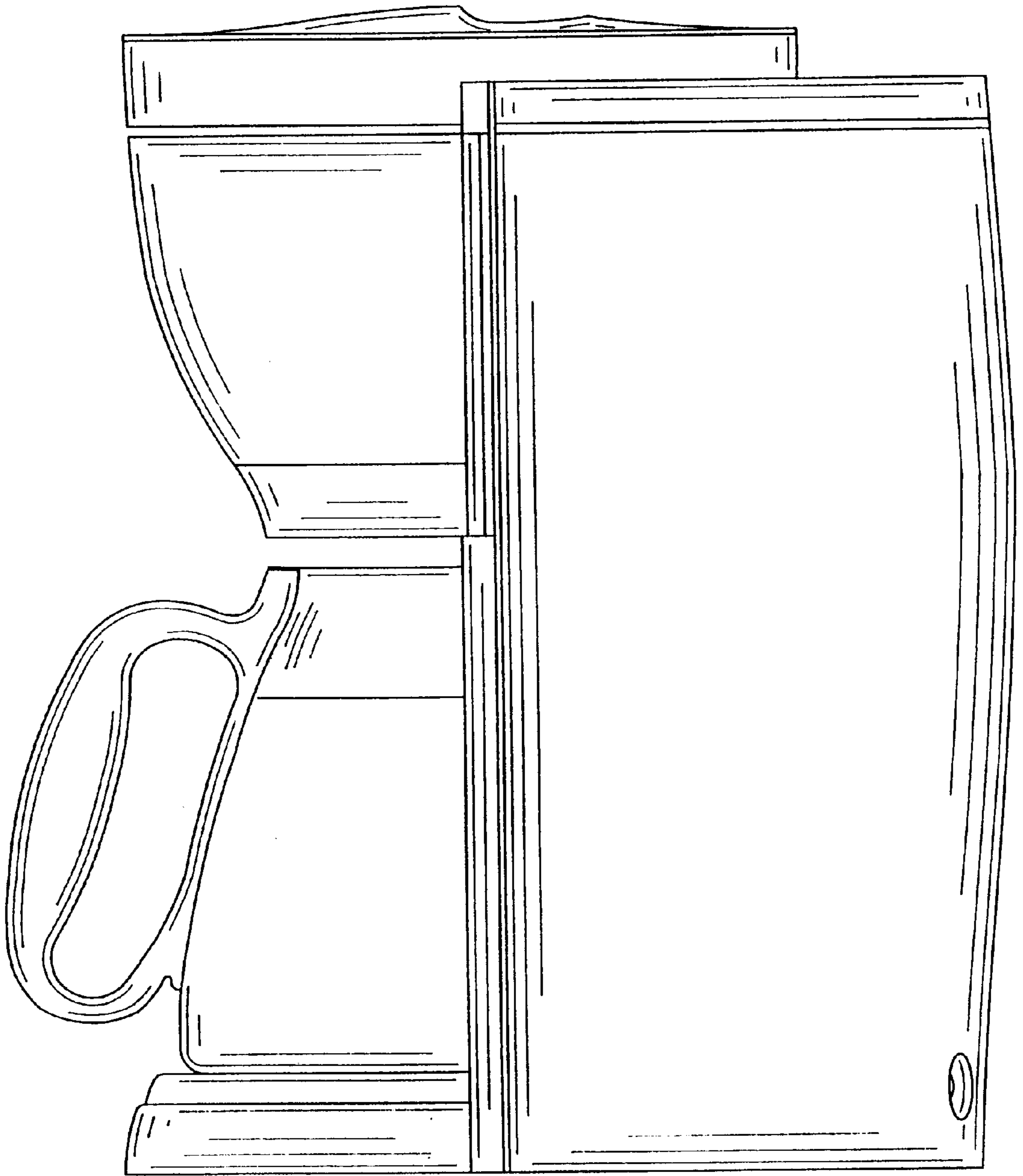


FIG. 5

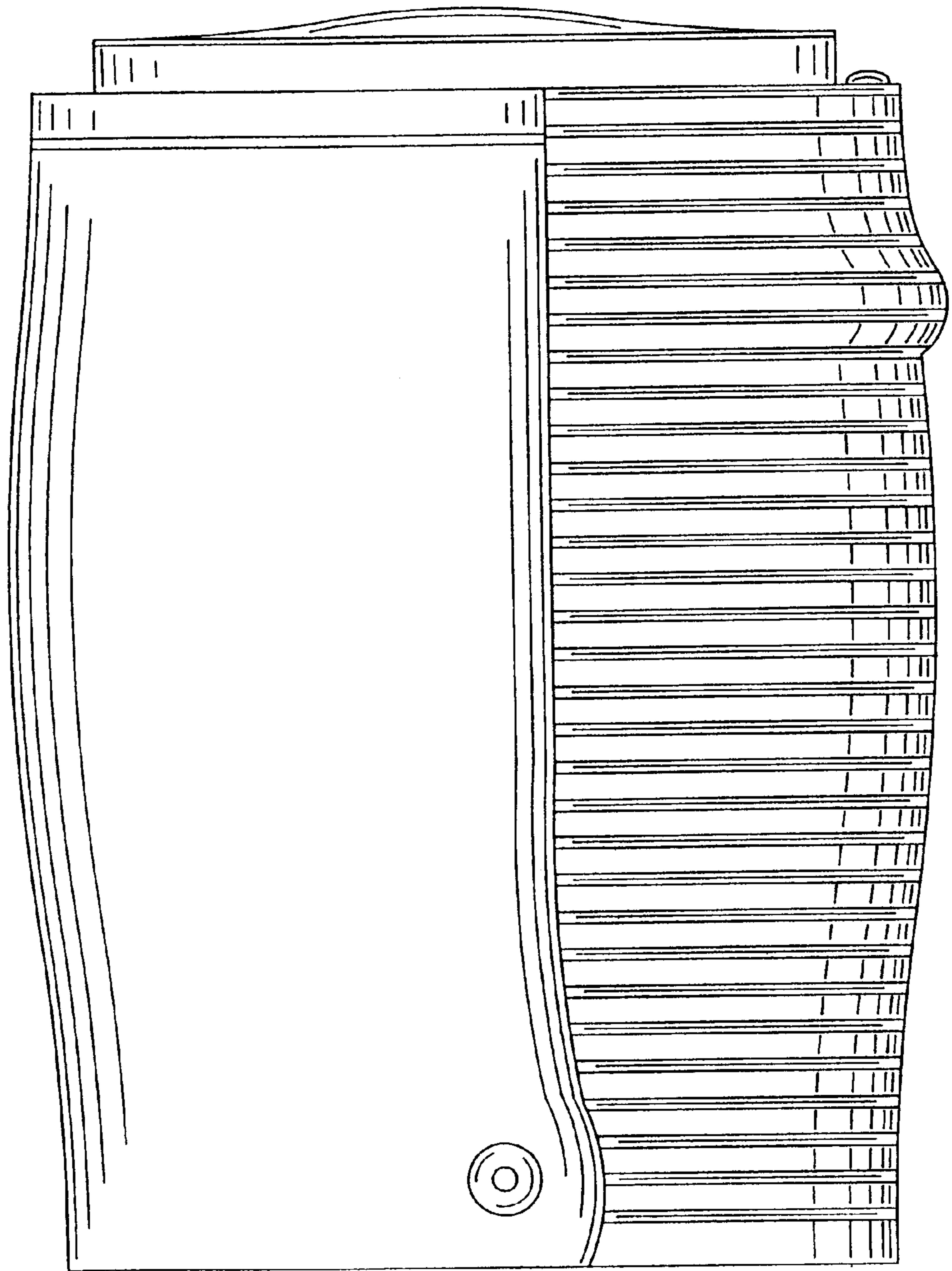


FIG. 6

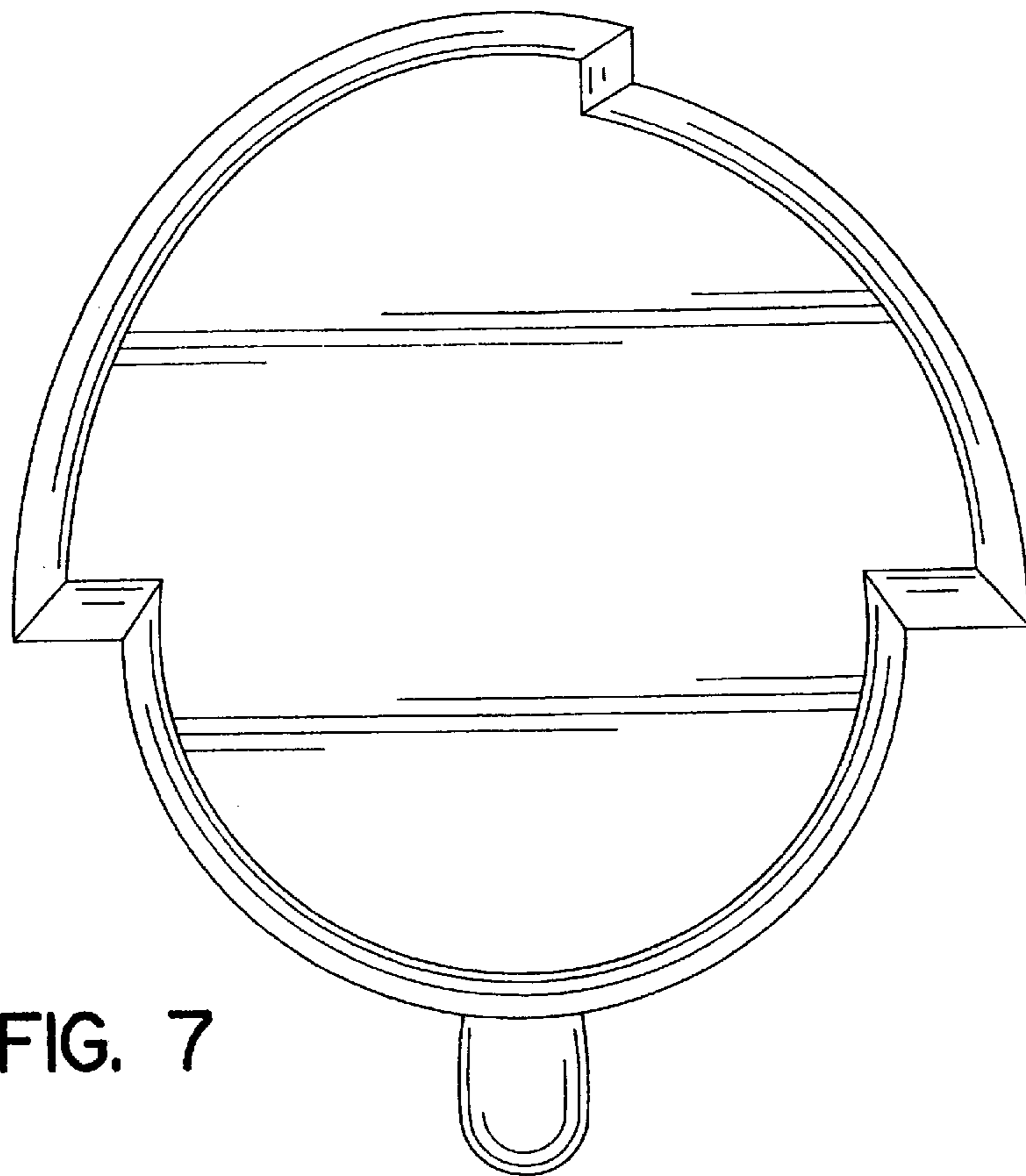


FIG. 7

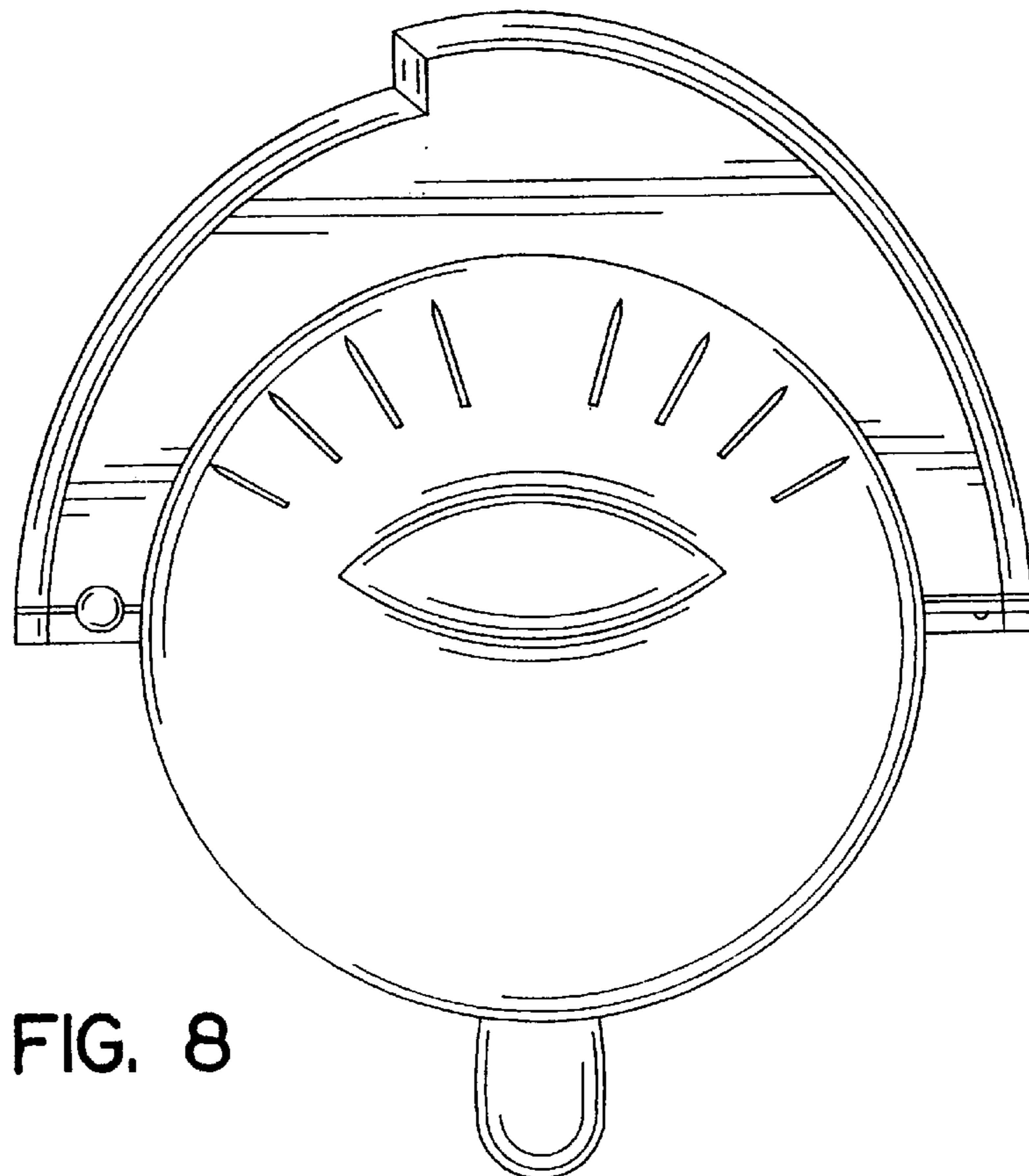


FIG. 8