



US00D413475S

# United States Patent [19] Swapp

[11] Patent Number: Des. 413,475

[45] Date of Patent: \*\* Sep. 7, 1999

[54] **BLADE FOR WINDOW BLIND**

5,458,939 10/1995 Kitchen ..... 160/236

[76] Inventor: **Ronald L. Swapp**, 6850 S. Priest,  
Tempe, Ariz. 85283

*Primary Examiner*—B. J. Bullock  
*Assistant Examiner*—Monica A. Weingart  
*Attorney, Agent, or Firm*—Gregory J. Nelson

[\*\*] Term: **14 Years**

### [57] CLAIM

[21] Appl. No.: **29/094,164**

I claim the ornamental design for a blade for window blind,  
as shown and described.

[22] Filed: **Sep. 28, 1998**

### DESCRIPTION

[51] **LOC (6) Cl.** ..... **06-10**

[52] **U.S. Cl.** ..... **D6/577; D6/575; D6/580;**  
D25/49

[58] **Field of Search** ..... D6/575, 577, 580;  
D25/49; 160/115, 173, 236

FIG. 1 is a perspective view showing the blade for window blind of my new design in an installed position, shown broken away to indicate indeterminate length with the adjacent blade shown in broken lines for illustrative purposes only and forming no part of the claimed design; and FIG. 2 is rear view thereof; FIG. 3 is an end view thereof; FIG. 4 is a top view thereof; FIG. 5 is a bottom view thereof; and, FIG. 6 is a front view thereof.

### [56] References Cited

#### U.S. PATENT DOCUMENTS

D. 384,421	9/1997	Di Giorgio	.....	D25/49
2,533,584	12/1950	Hunter et al.	.....	160/173
2,582,162	1/1952	Ray et al.	.....	160/173
4,475,579	10/1984	Bassett	.....	160/236

**1 Claim, 2 Drawing Sheets**

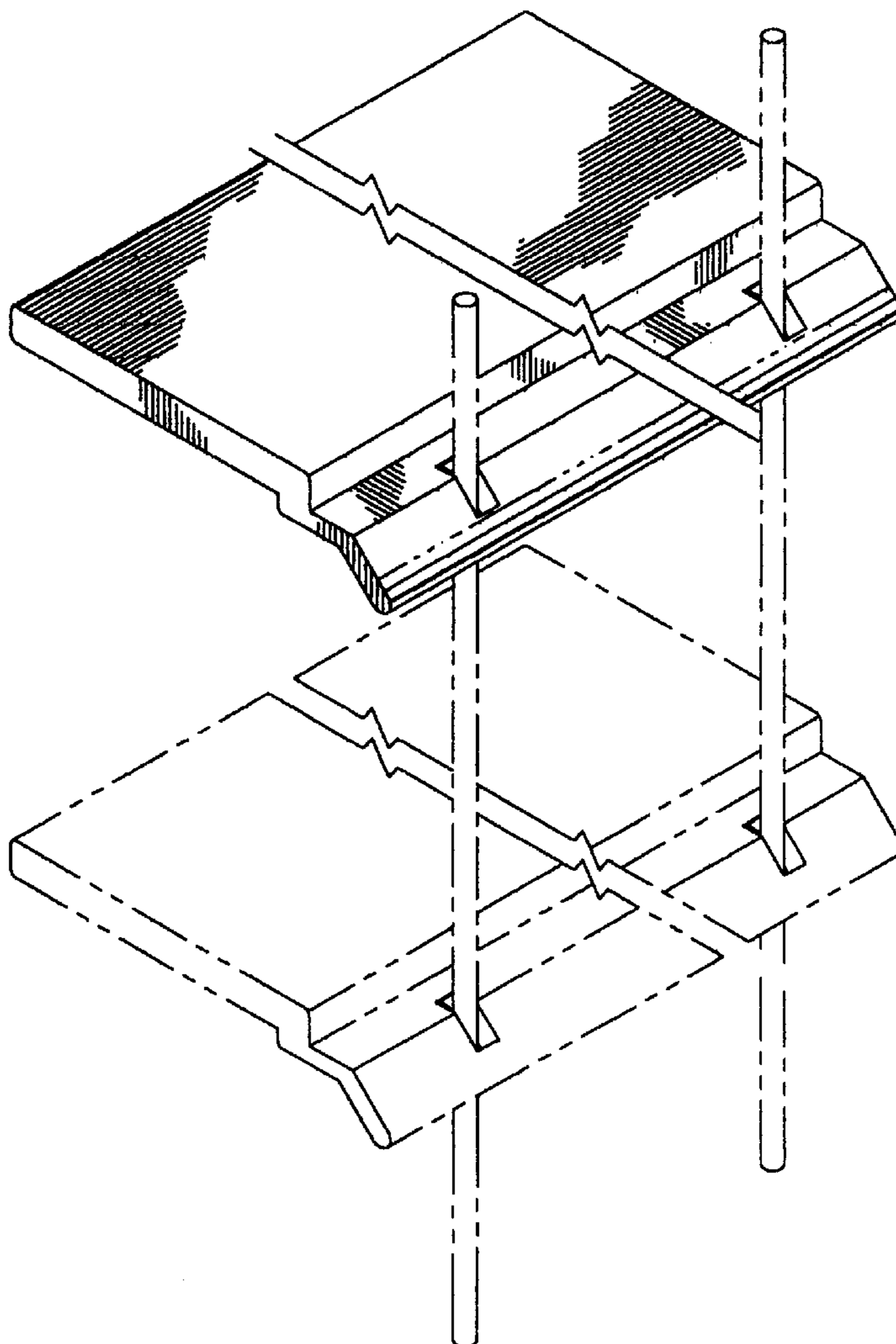
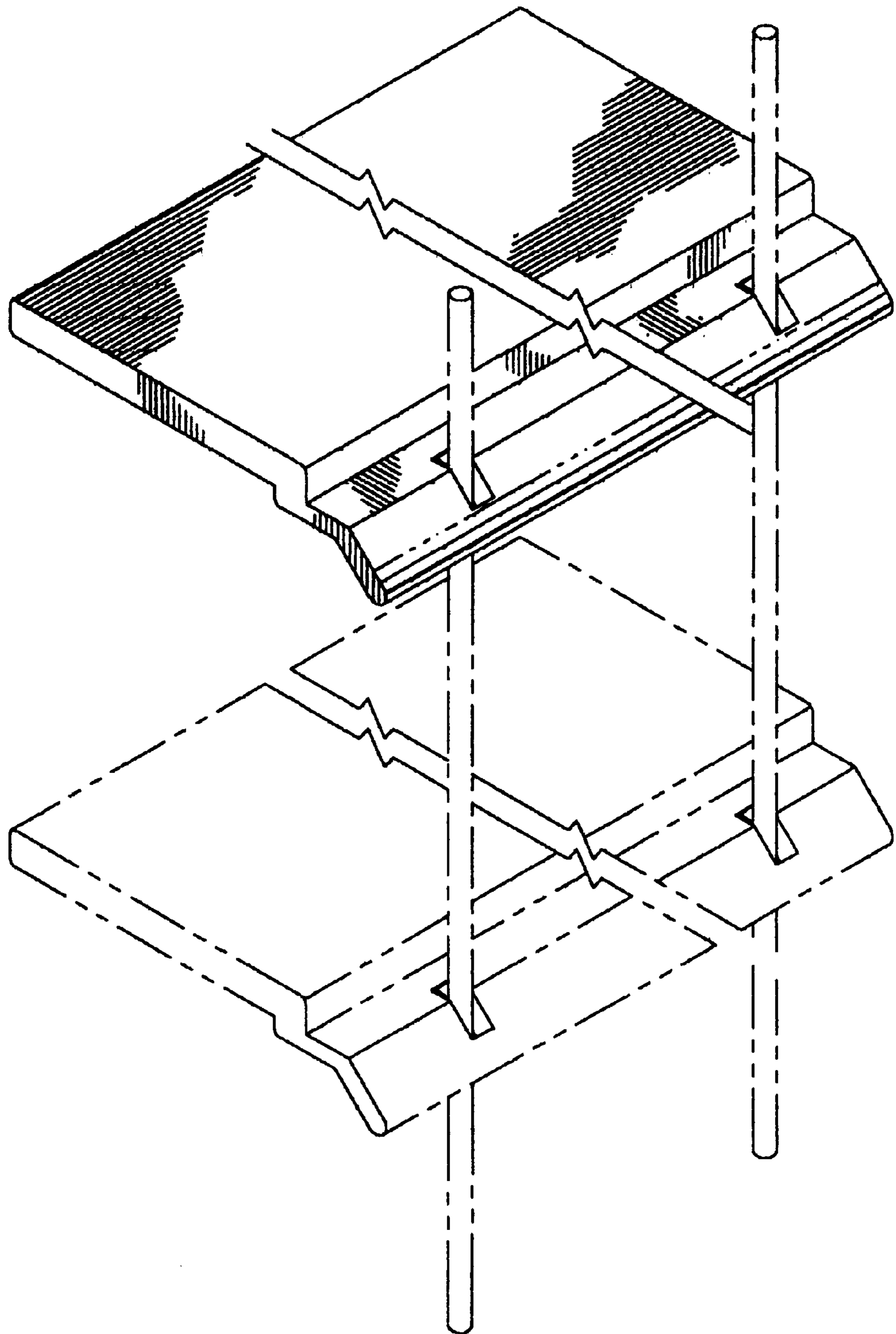


FIG. 1



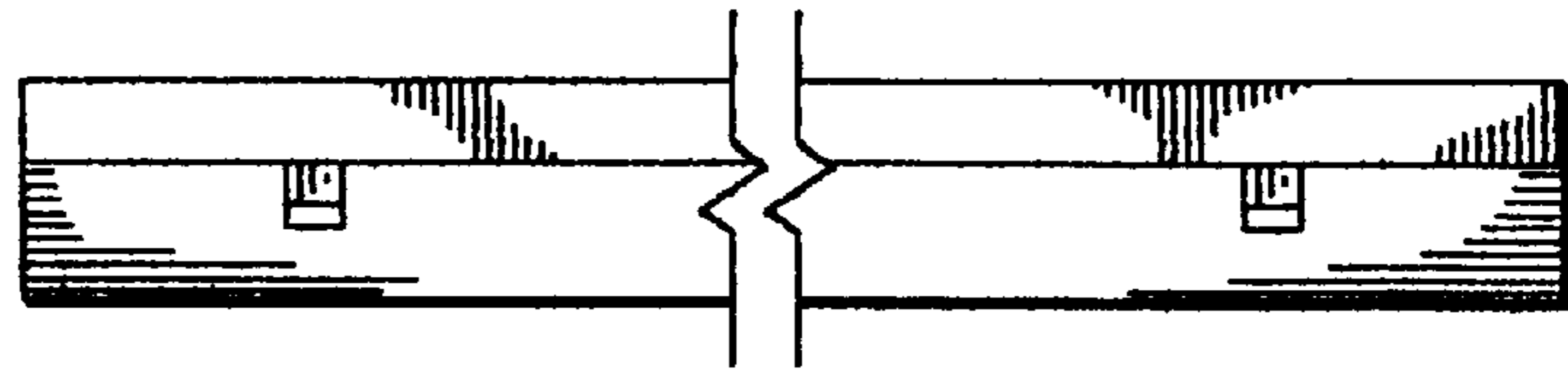


FIG. 2

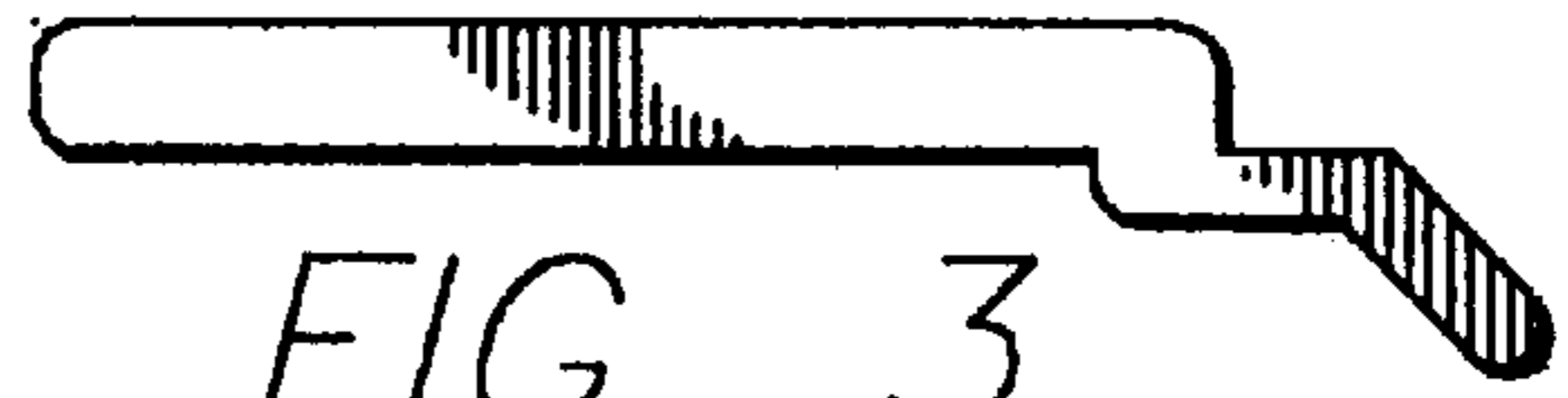


FIG. 3

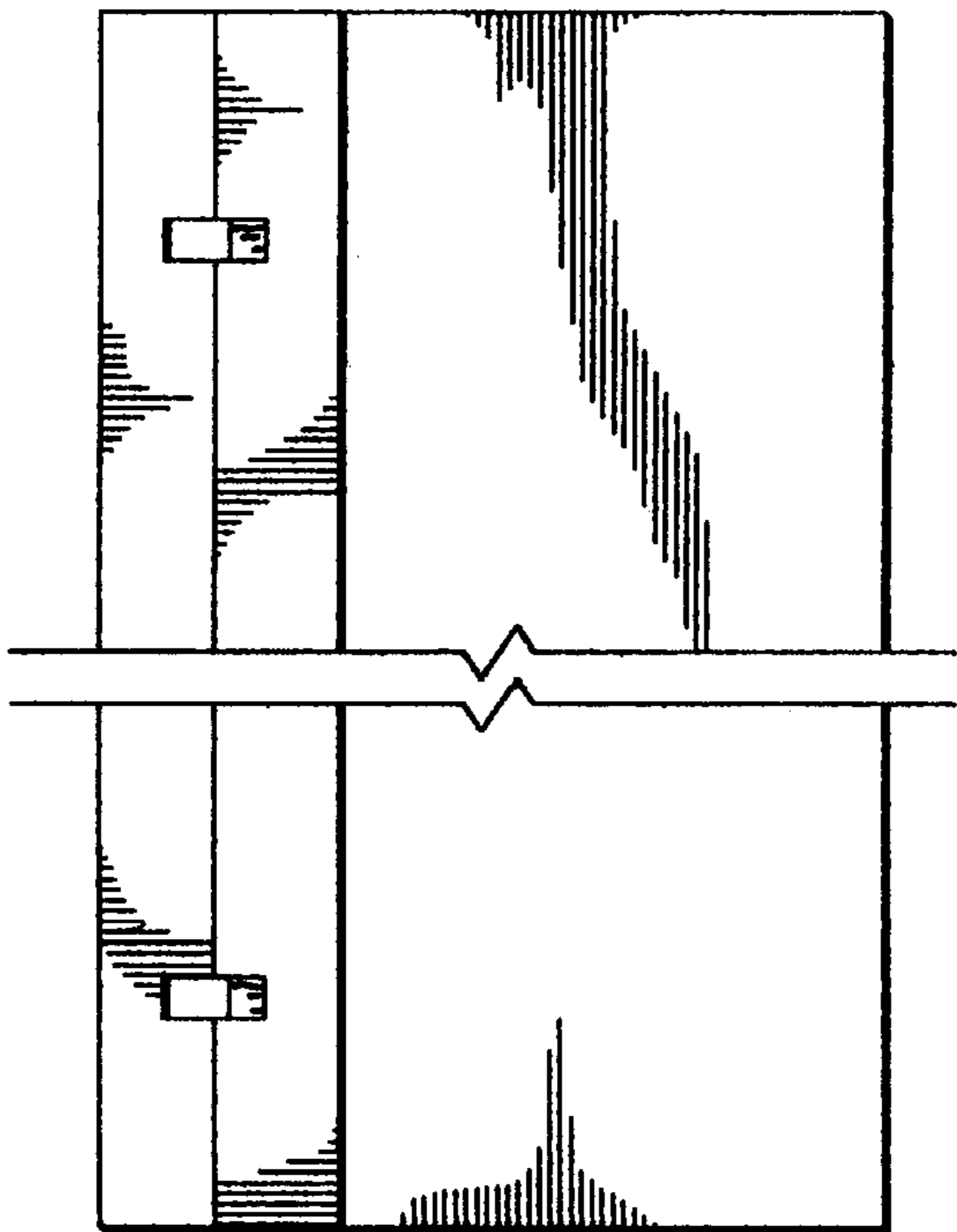


FIG. 4

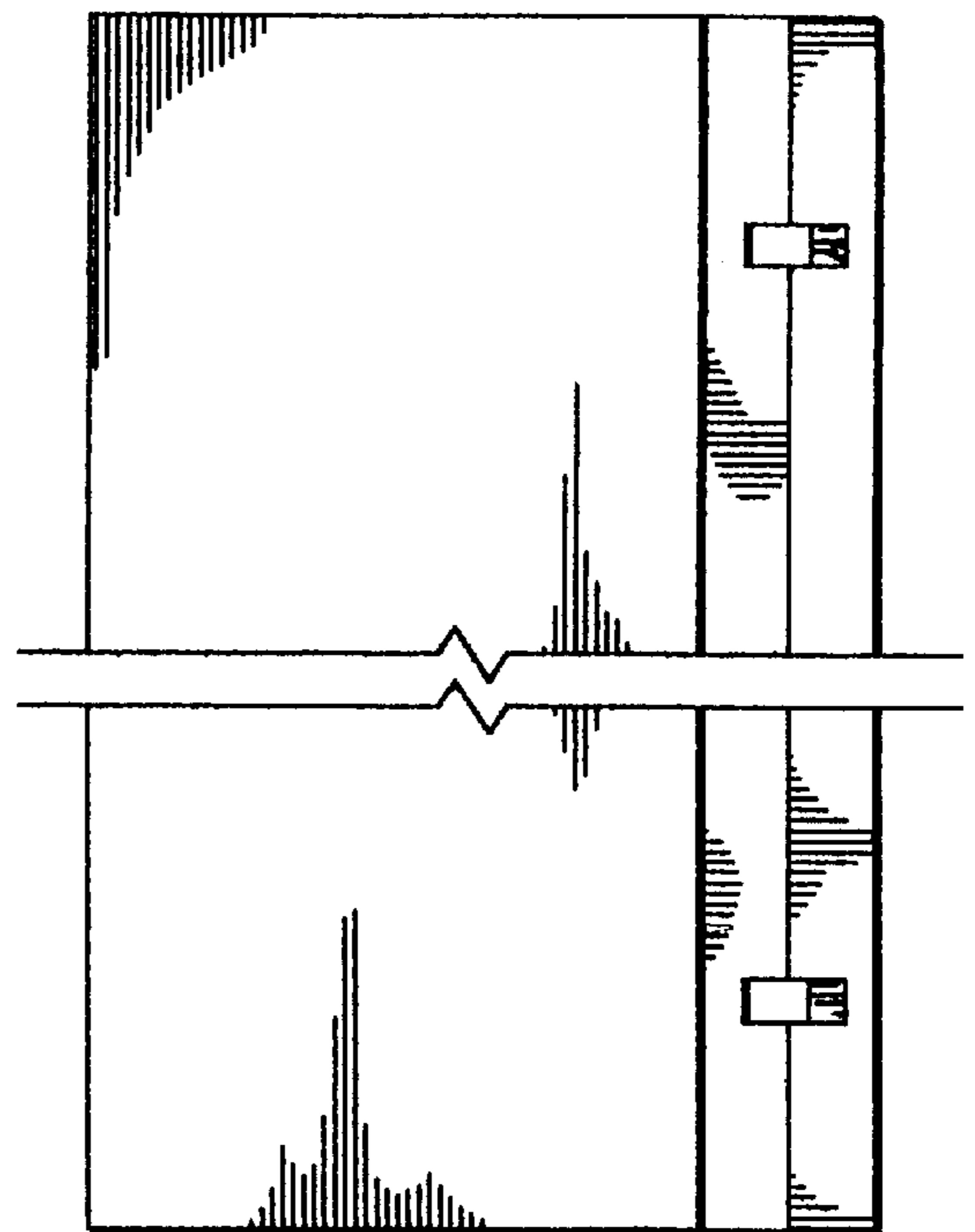


FIG. 5

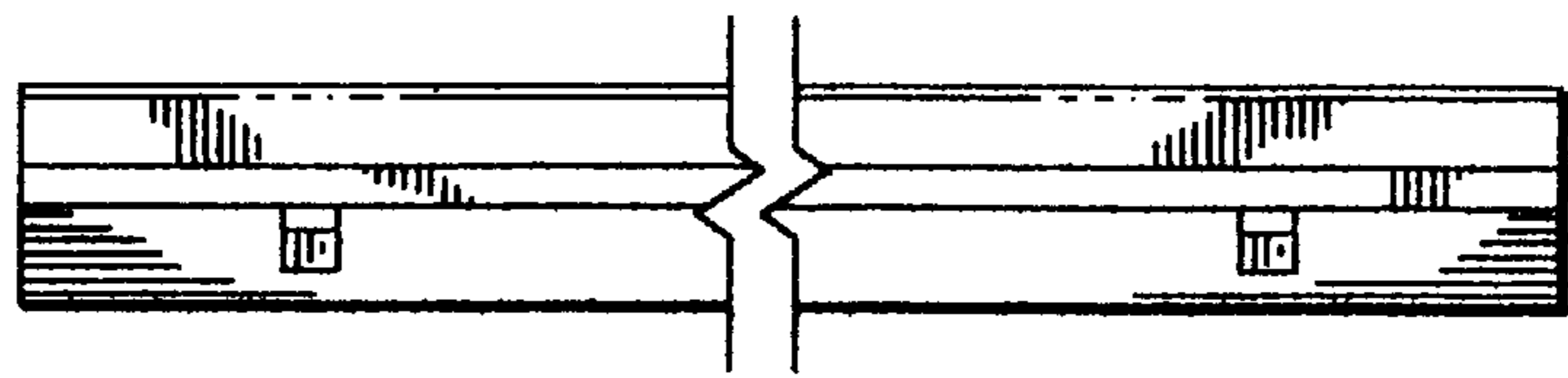


FIG. 6