



US00D413471S

United States Patent [19] Romeo

[11] **Patent Number: Des. 413,471**

[45] **Date of Patent: ** Sep. 7, 1999**

[54] **DISPLAY MOUNTING FOR TOOL HOLDERS**

[75] Inventor: **Vincent S. Romeo**, Corona, Calif.

[73] Assignee: **Alltrade Inc.**, Long Beach, Calif.

[**] Term: **14 Years**

[21] Appl. No.: **29/094,702**

[22] Filed: **Oct. 8, 1998**

[51] **LOC (6) Cl. 08-08**

[52] **U.S. Cl. D6/567**

[58] **Field of Search** D6/512, 546, 549,
D6/552, 553, 566, 567; 211/13.1, 60.1,
86, 87, 89, 113, 127, 181.1, 182; 248/200,
201, 205.1, 220.21, 220.31, 223.31, 251,
300, 302, 309.1, 309.2, 317

[56] **References Cited**

U.S. PATENT DOCUMENTS

D. 058,089 6/1921 Gulick D6/567 X
D. 156,801 1/1950 Zeglen D6/567 X

D. 313,916 1/1991 Ballard D6/553 X
D. 336,726 6/1993 Paulin D6/549

Primary Examiner—Brian N. Vinson
Attorney, Agent, or Firm—Robert R. Thornton

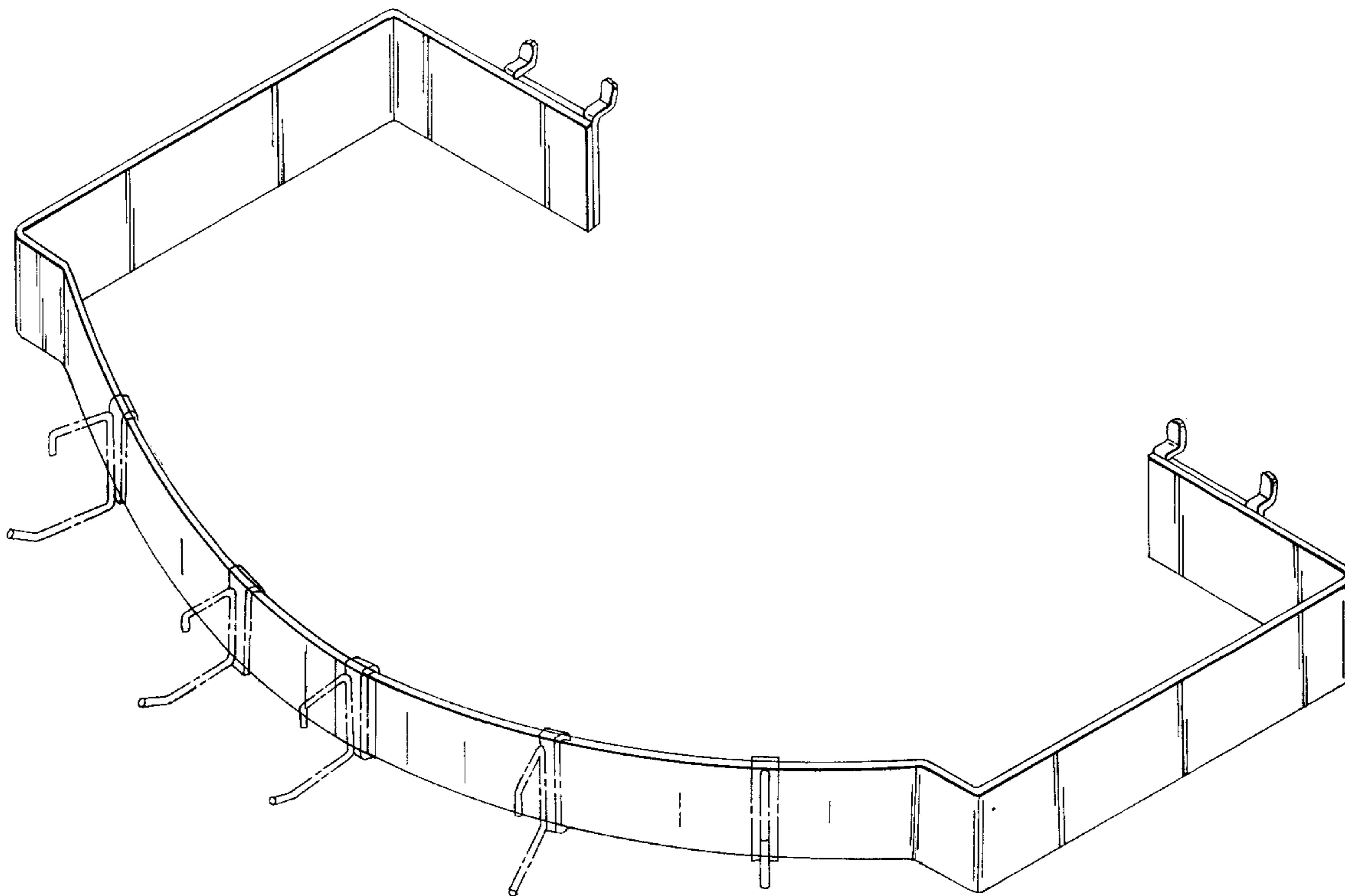
[57] **CLAIM**

The ornamental design for a display mounting for tool holders, as shown and described.

DESCRIPTION

FIG. 1 is a top, front, and right side perspective view of a display mounting for tool holders showing my new design; FIG. 2 is a top plan view thereof; FIG. 3 is a bottom plan view thereof; FIG. 4 is a front elevational view thereof; FIG. 5 is a left side elevational view thereof, the right side being a mirror image of that shown; and, FIG. 6 is a rear elevational view thereof. The broken-line disclosure of tool holder shown in the views is for illustrative purposes only and forms no part of the claimed design.

1 Claim, 3 Drawing Sheets



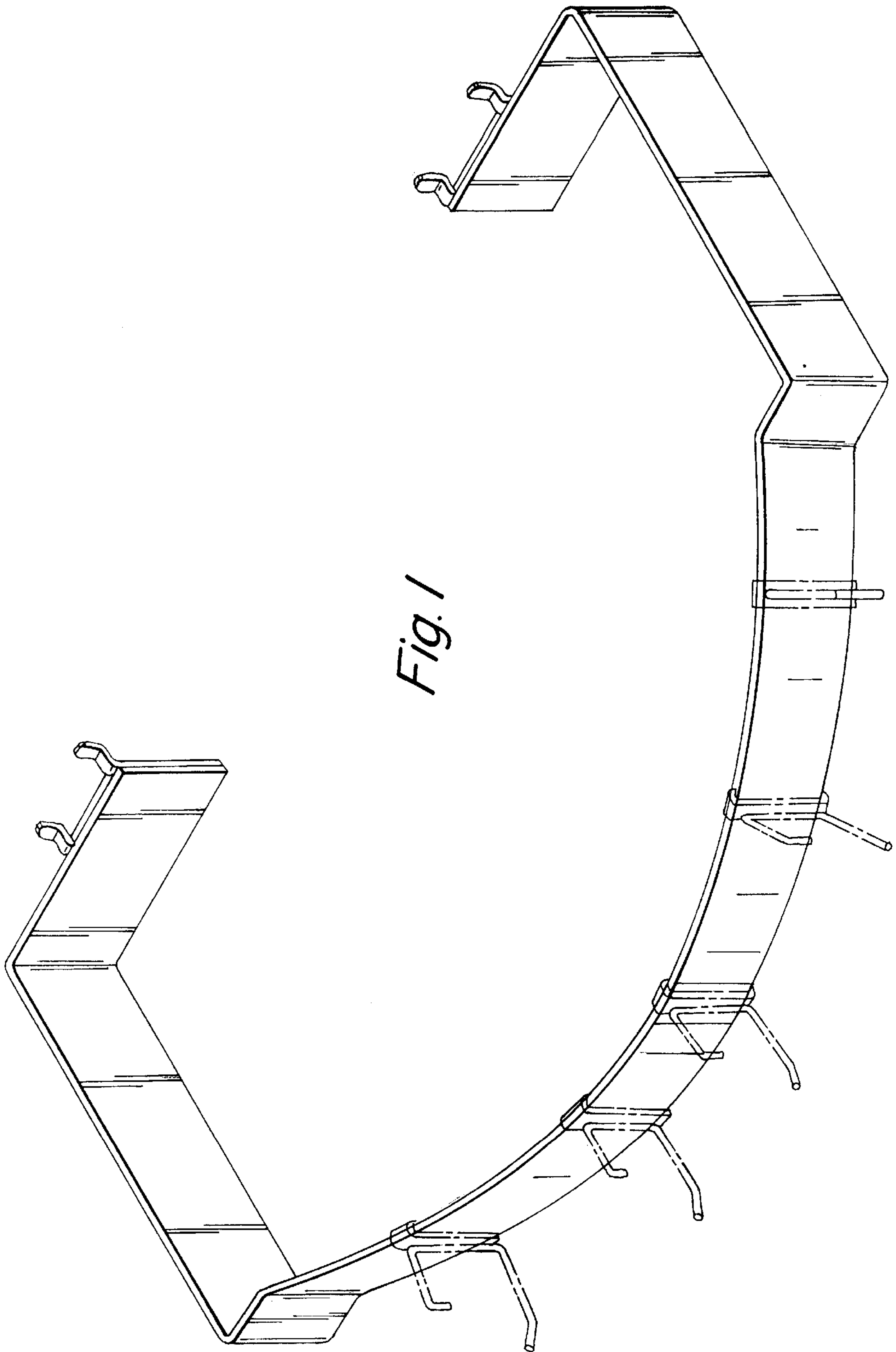


Fig. 1

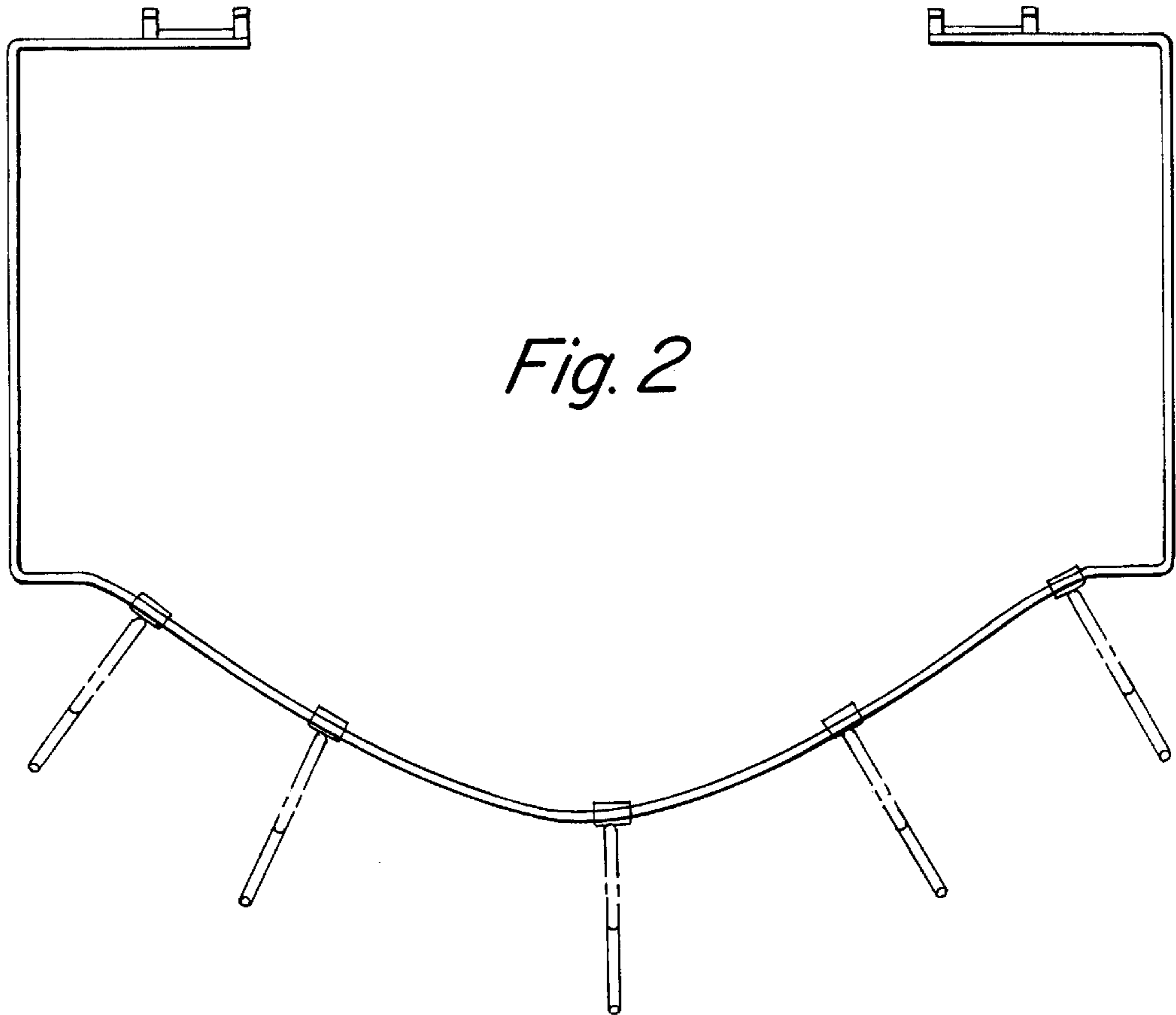


Fig. 2

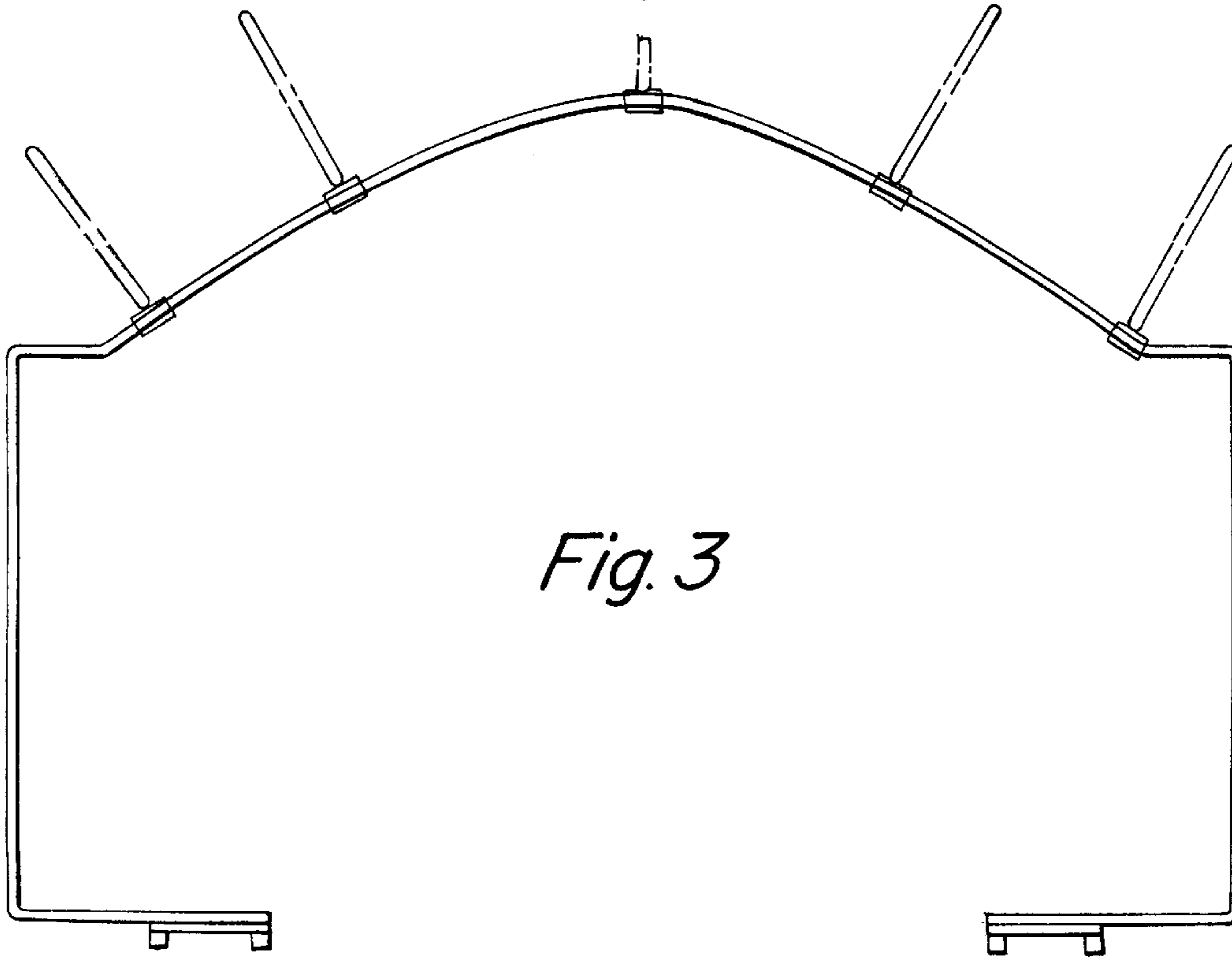


Fig. 3

