



US00D413467S

United States Patent [19]

Patel et al.

[11] Patent Number: Des. 413,467

[45] Date of Patent: ** Sep. 7, 1999

[54] **SHOWER CADDY**

[75] Inventors: **Shailesh Patel**, Glenview; **Chris Cunningham**, Mount Prospect, both of Ill.

[73] Assignee: **Selfix, Inc.**, Chicago, Ill.

[**] Term: **14 Years**

[21] Appl. No.: **29/098,943**

[22] Filed: **Jan. 8, 1999**

[51] **LOC (6) Cl.** **07-07**

[52] **U.S. Cl.** **D6/525**

[58] **Field of Search** D6/524, 525; 211/13.1, 211/86-88, 90, 126.1, 134

[56] **References Cited**

U.S. PATENT DOCUMENTS

D. 298,990 12/1988 Chap D6/525

D. 382,750 8/1997 Andrus D6/525
D. 392,484 3/1998 Yemini D6/525
D. 404,948 2/1999 Yemini D6/525

Primary Examiner—Brian N. Vinson
Attorney, Agent, or Firm—Rockey, Milnamow & Katz

[57] **CLAIM**

The ornamental design for a shower caddy, as shown and described.

DESCRIPTION

FIG. 1 is a perspective view of a shower caddy, showing our new design;
FIG. 2 is a front elevational view thereof;
FIG. 3 is a right side elevational view thereof;
FIG. 4 is a left side elevational view thereof;
FIG. 5 is a rear elevational view thereof;
FIG. 6 is a top plan view thereof; and,
FIG. 7 is a bottom plan view thereof.

1 Claim, 4 Drawing Sheets

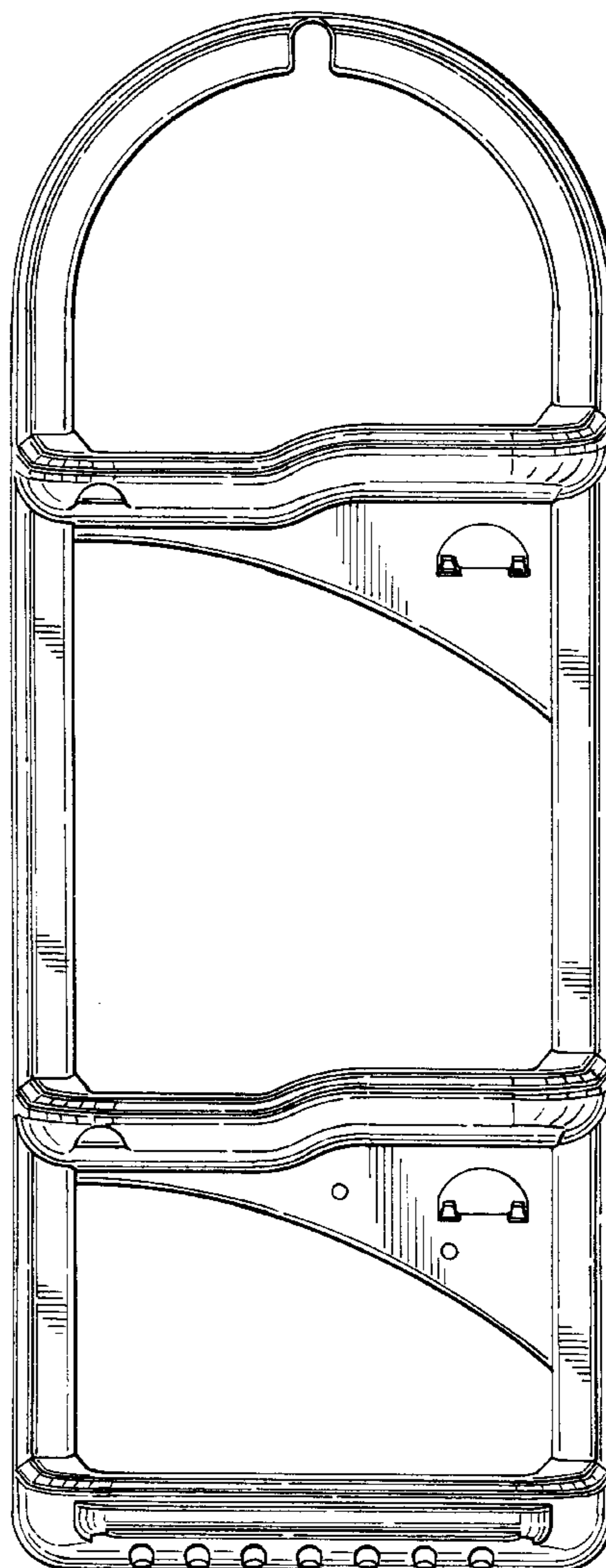
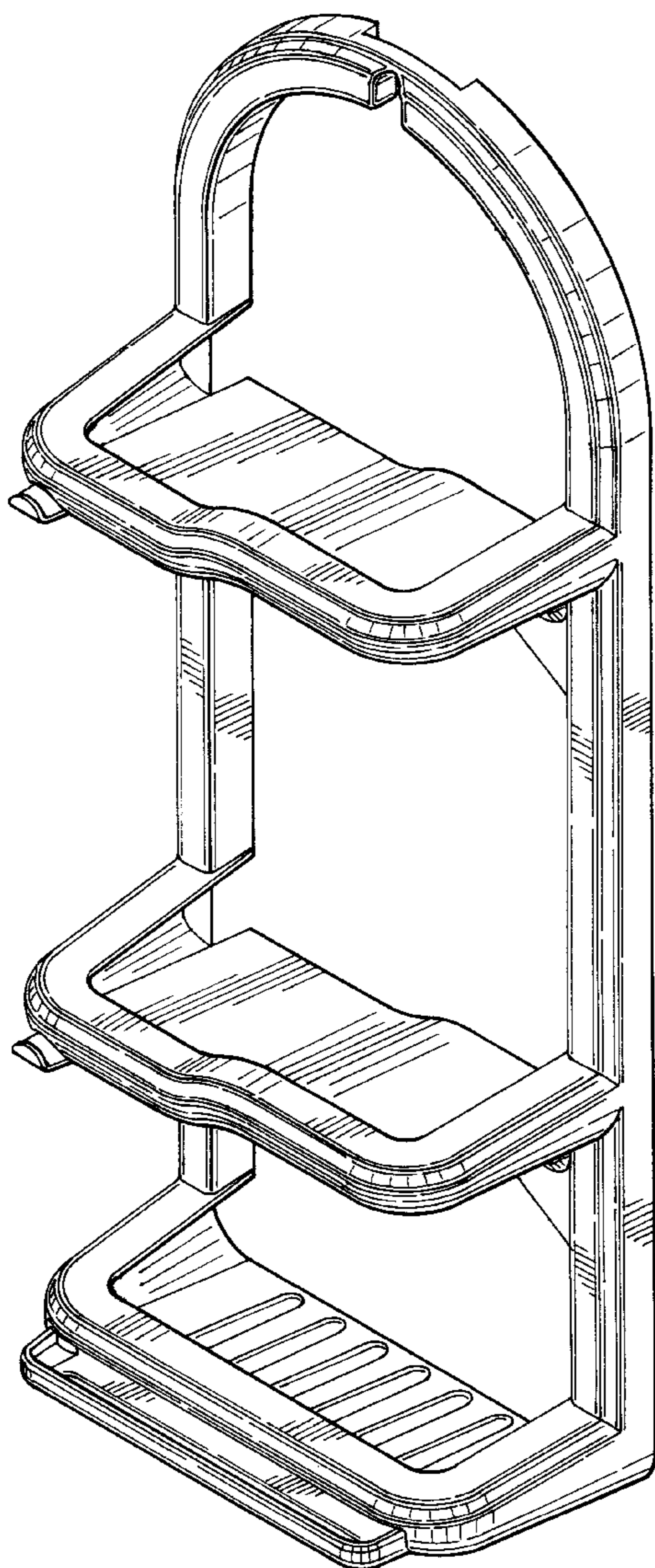


FIG. 1

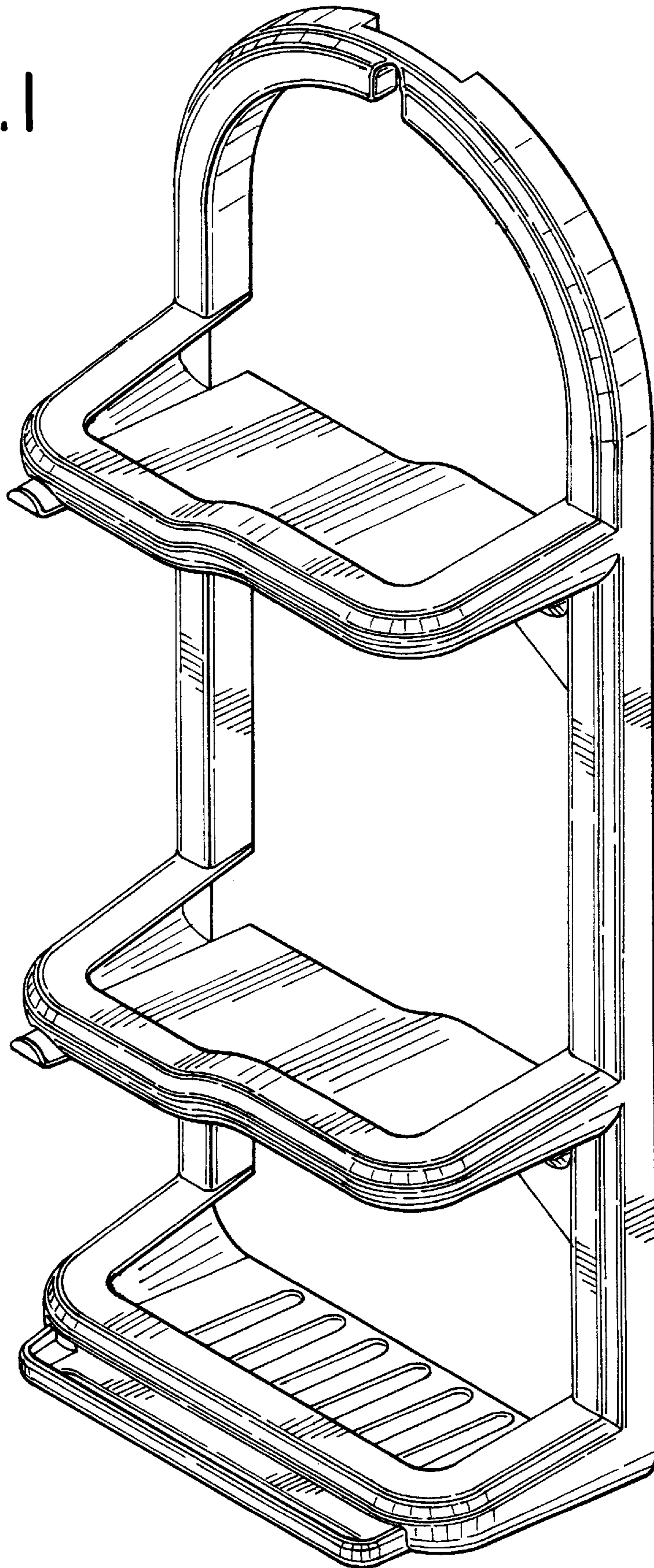


FIG.2

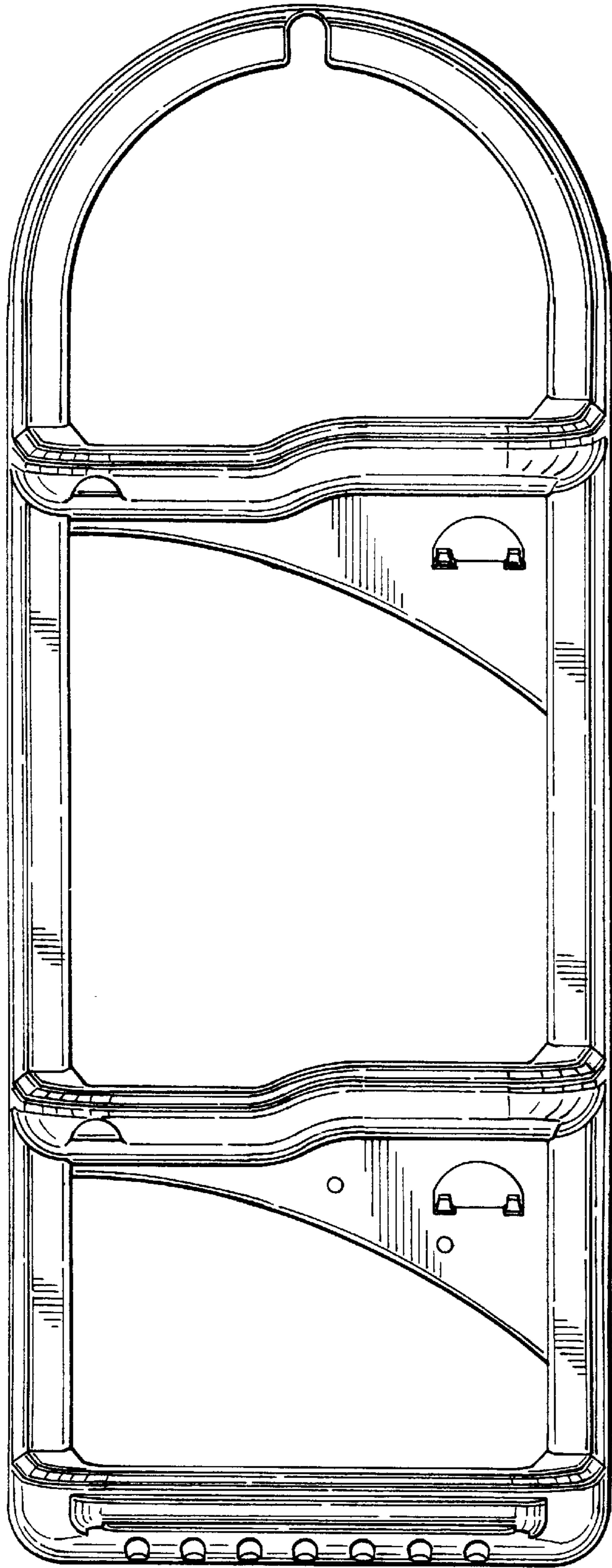


FIG.3

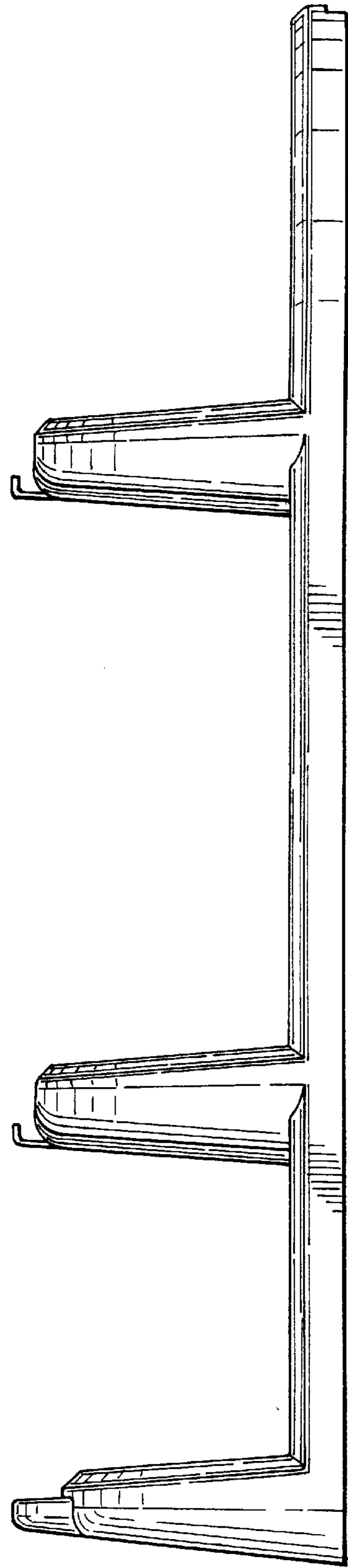


FIG. 4

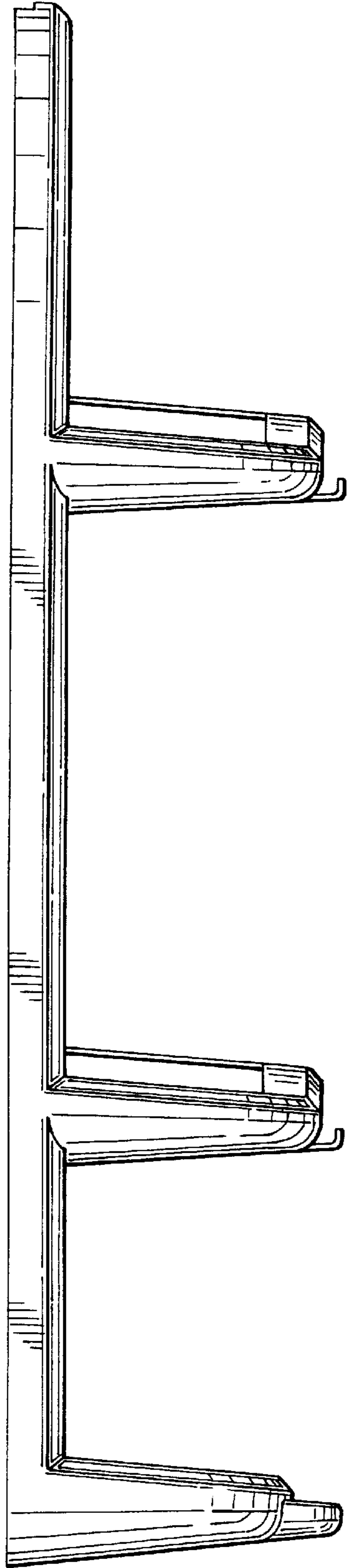


FIG. 5

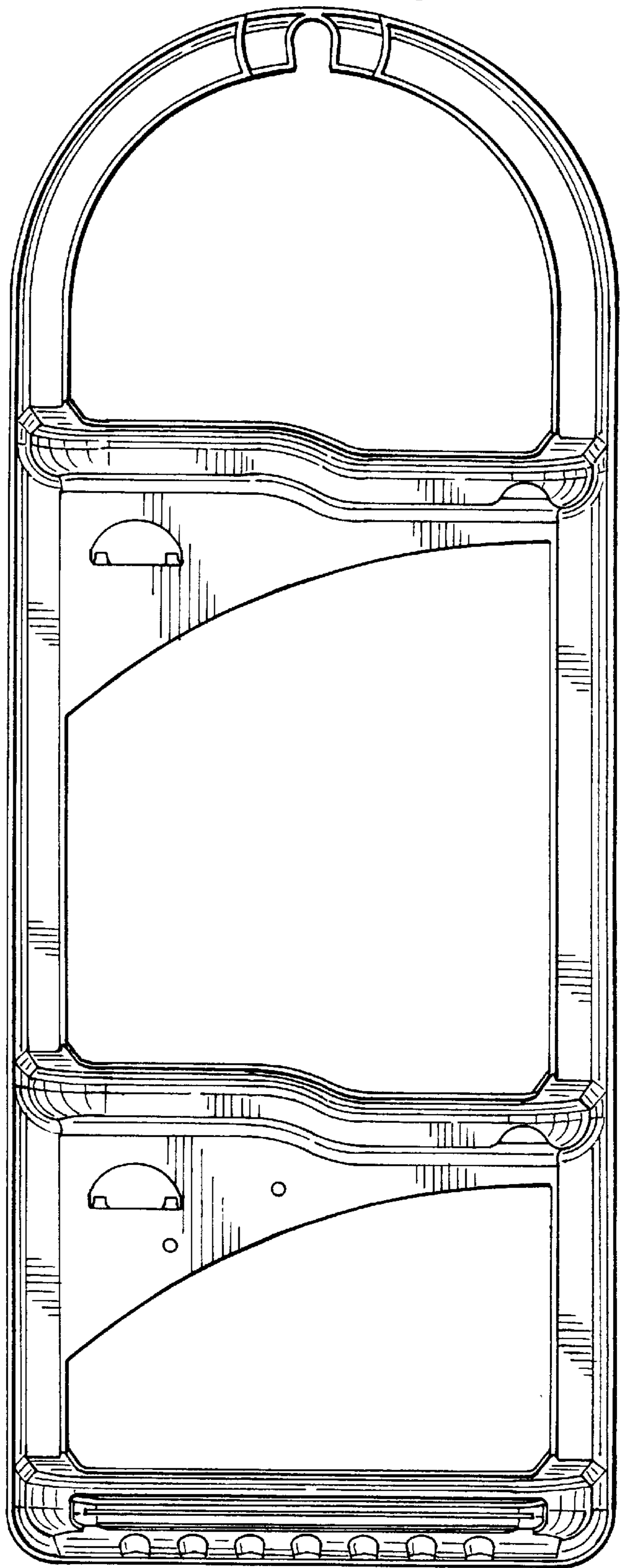


FIG. 6

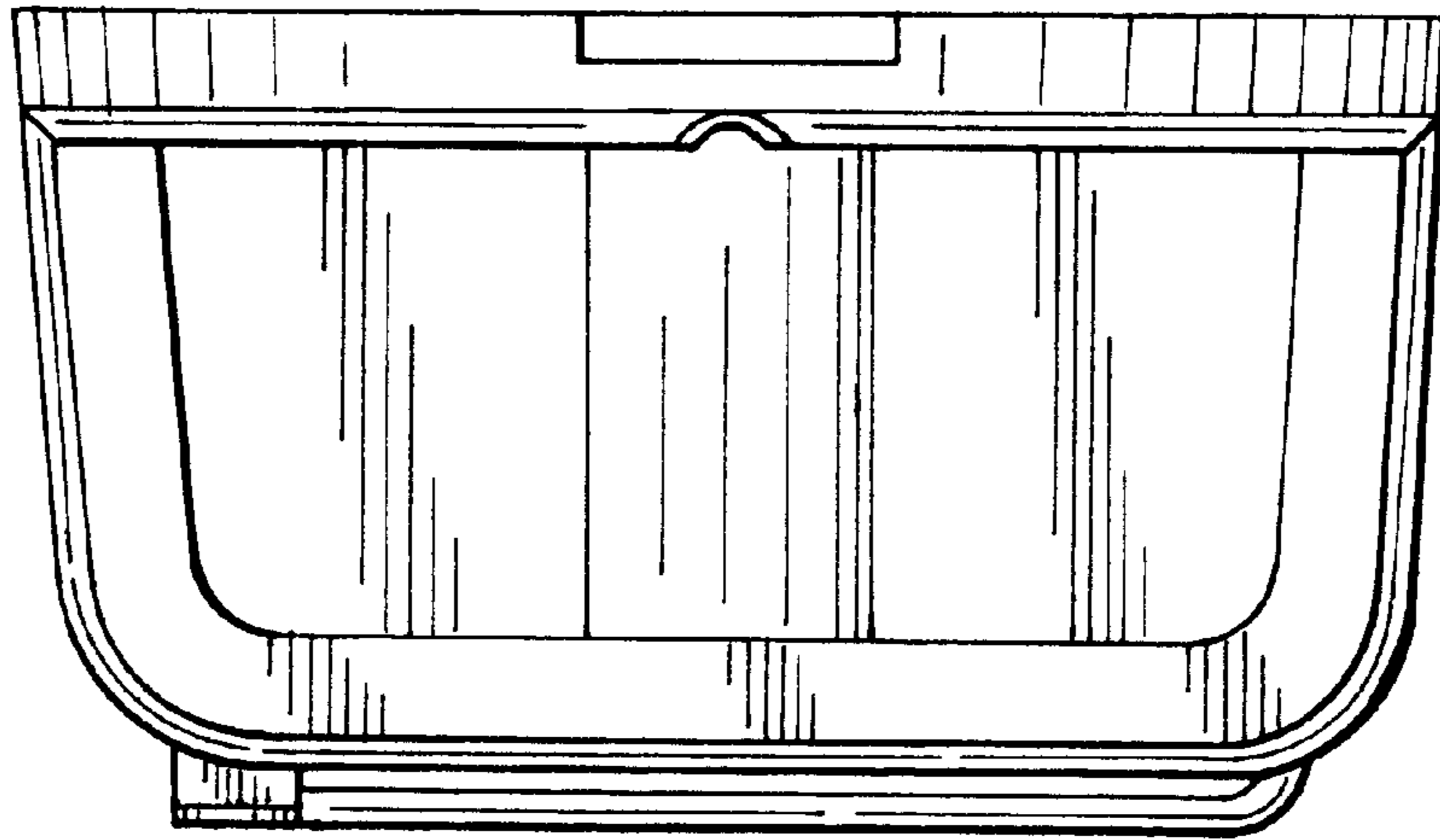


FIG. 7

