



US00D413466S

United States Patent [19]
Warshawsky

[11] **Patent Number: Des. 413,466**

[45] **Date of Patent: ** Sep. 7, 1999**

[54] **CUP DISPENSER**

[75] Inventor: **Jerome Warshawsky**, Hewlett Harbor, N.Y.

[73] Assignee: **I.W. Industries, Inc.**, Melville, N.Y.

[**] Term: **14 Years**

[21] Appl. No.: **29/089,582**

[22] Filed: **Jun. 18, 1998**

[51] **LOC (6) Cl.** **06-02**

[52] **U.S. Cl.** **D6/516**

[58] **Field of Search** D6/516-523, 535,
D6/534, 524; D7/507, 619, 591; 206/139,
427, 446, 390, 517; 221/45, 279, 280, 303;
222/142.1

[56] **References Cited**

U.S. PATENT DOCUMENTS

- D. 201,911 8/1965 Duncan D6/516
- D. 218,637 9/1970 Sims D6/516

- D. 225,266 11/1972 Cousins D6/516
- D. 226,780 4/1973 Thompson D6/516
- D. 307,991 5/1990 Zofquist D6/516
- D. 392,134 3/1998 Hadtke et al. D6/516

Primary Examiner—Marcus A. Jackson
Attorney, Agent, or Firm—Alfred M. Walker

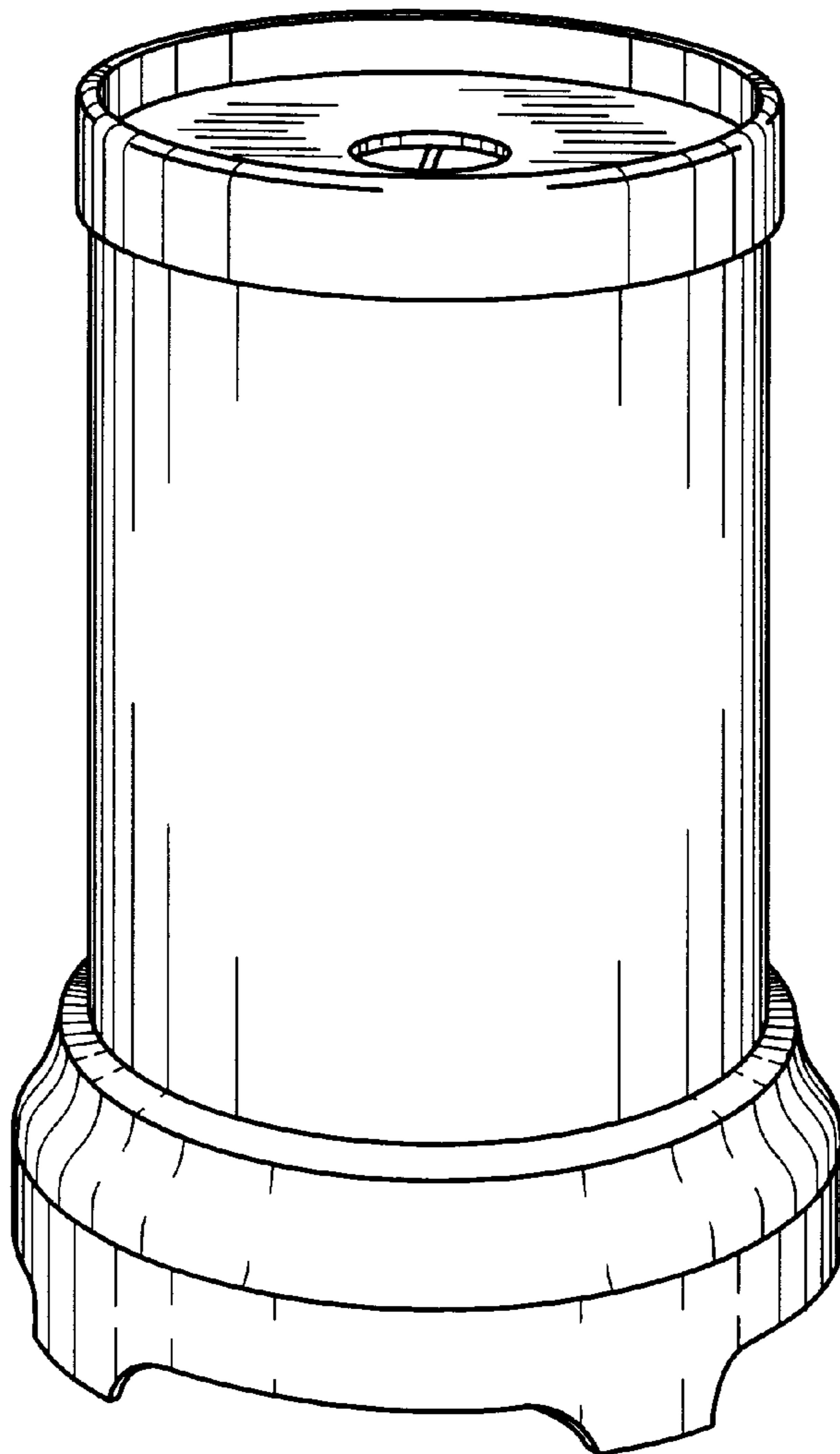
[57] **CLAIM**

The ornamental design for a cup dispenser, as shown and described.

DESCRIPTION

FIG. 1 is a perspective view of a cup dispenser, showing my new design;
FIG. 2 is a front elevational view thereof, the rear elevational view, left side elevational view and right side elevational view being mirror images thereof;
FIG. 3 is a top plan view thereof;
FIG. 4 is a bottom view, thereof; and,
FIG. 5 is a perspective view thereof showing a cup therein in phantom dotted lines for environmental purposes only.

1 Claim, 4 Drawing Sheets



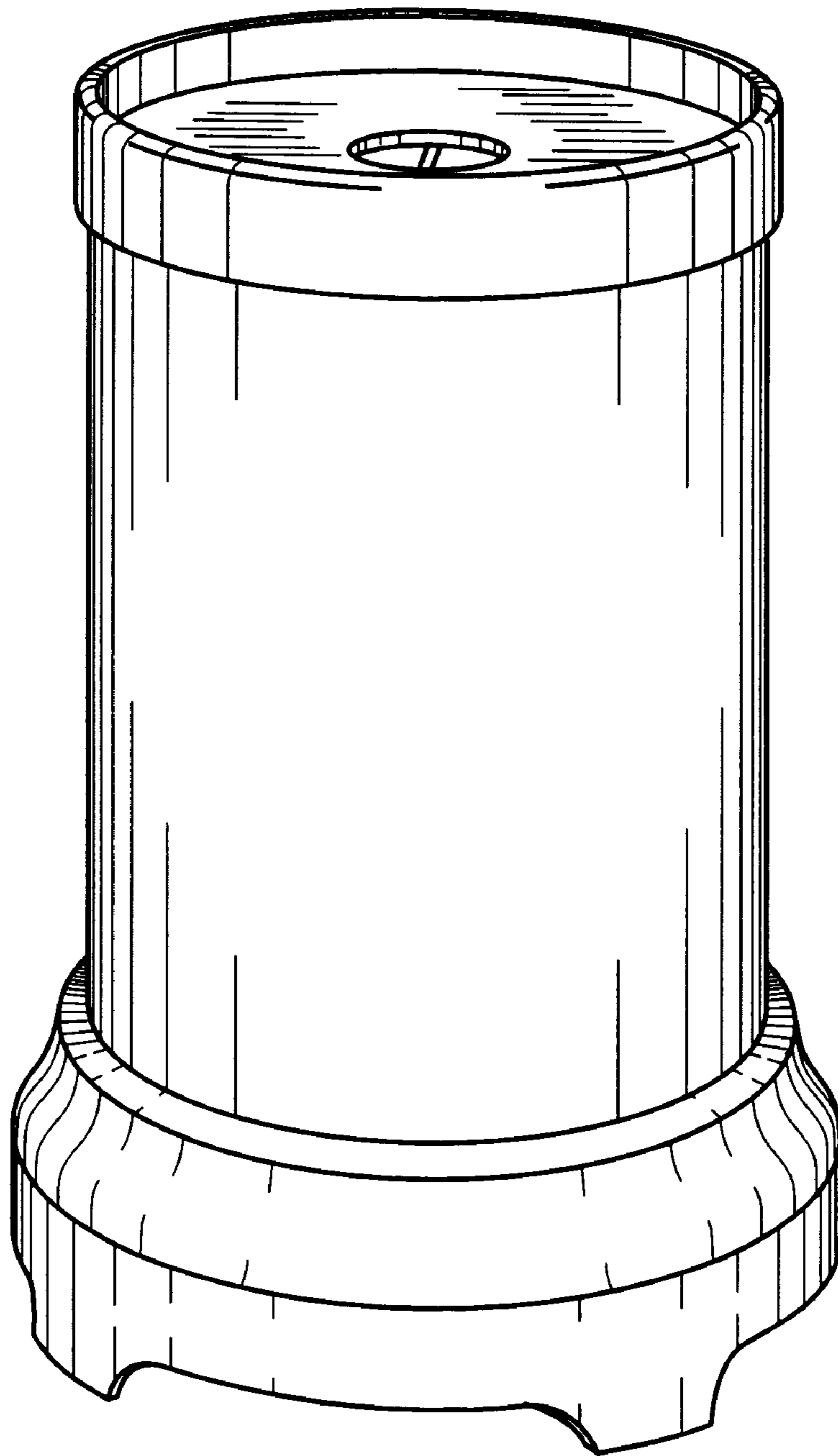


FIG. 1

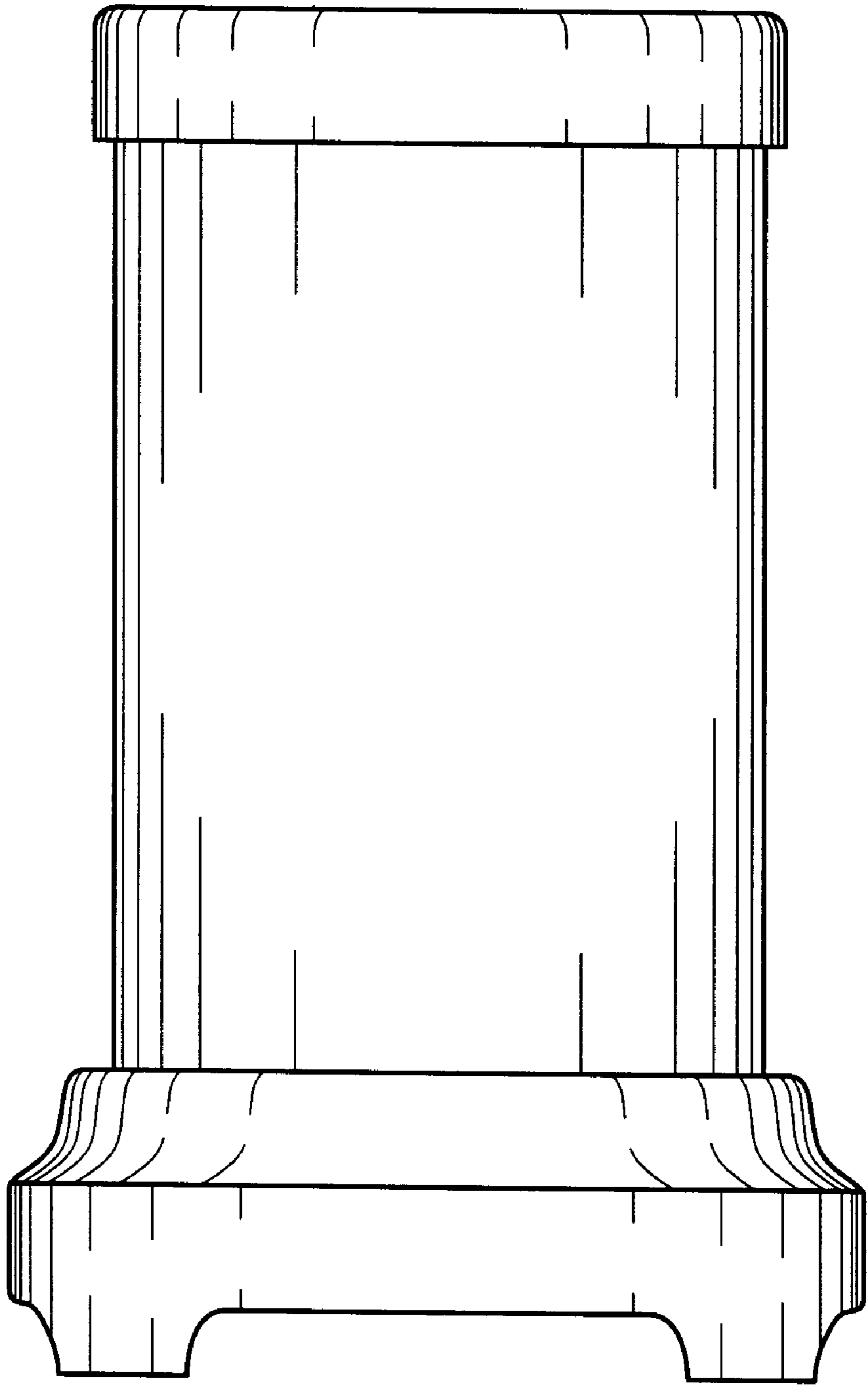


FIG. 2

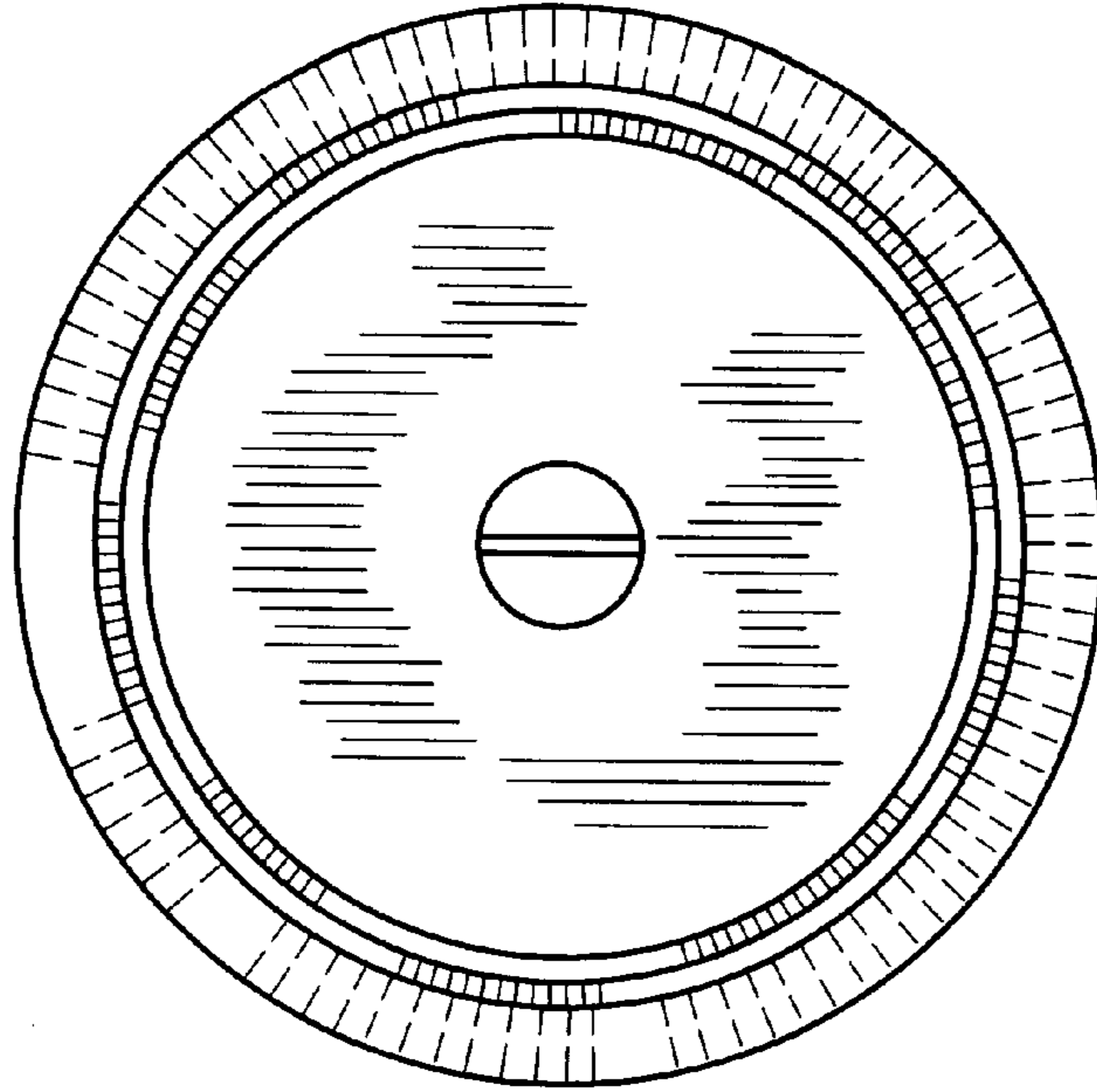


FIG. 3

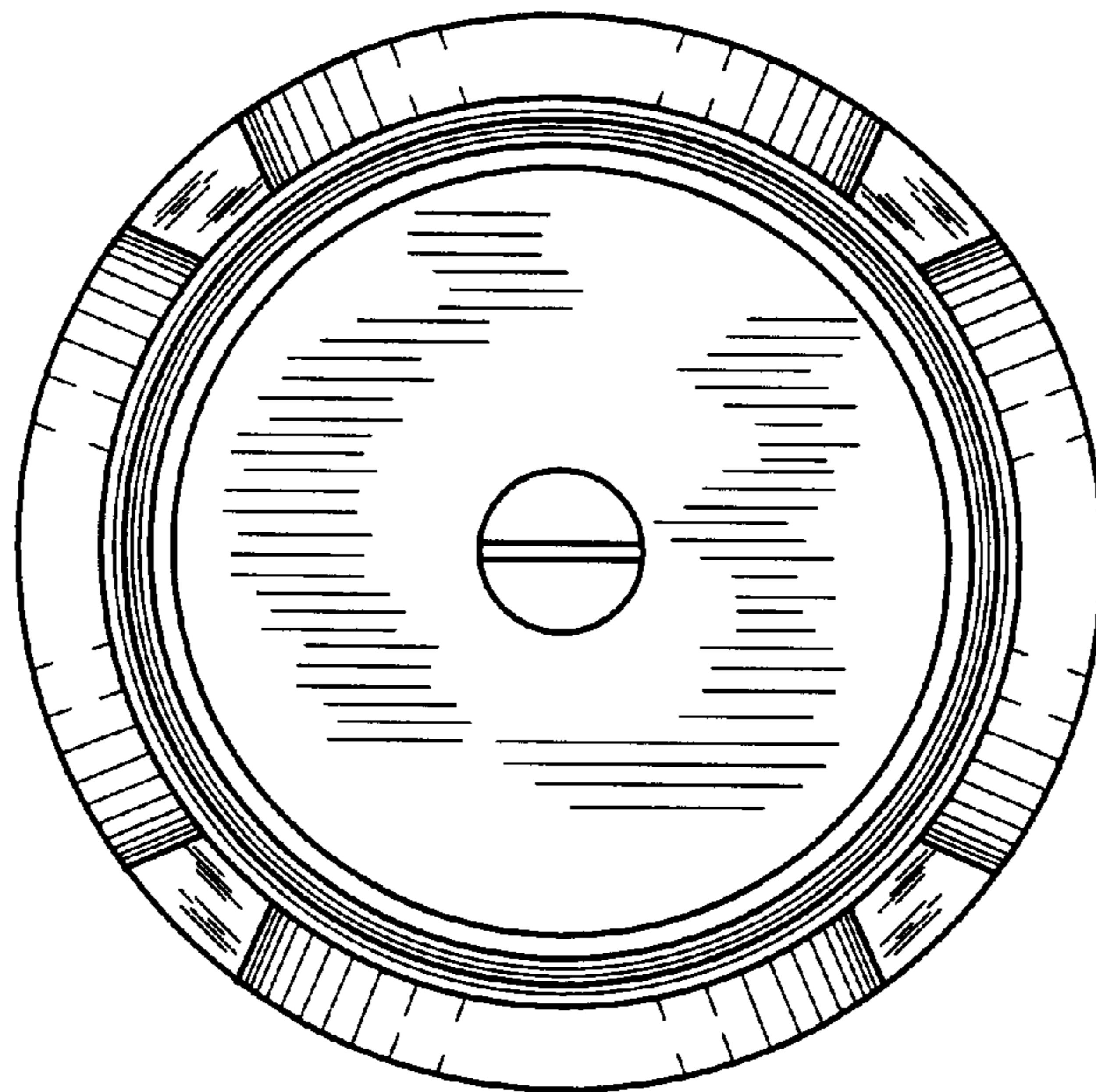


FIG. 4

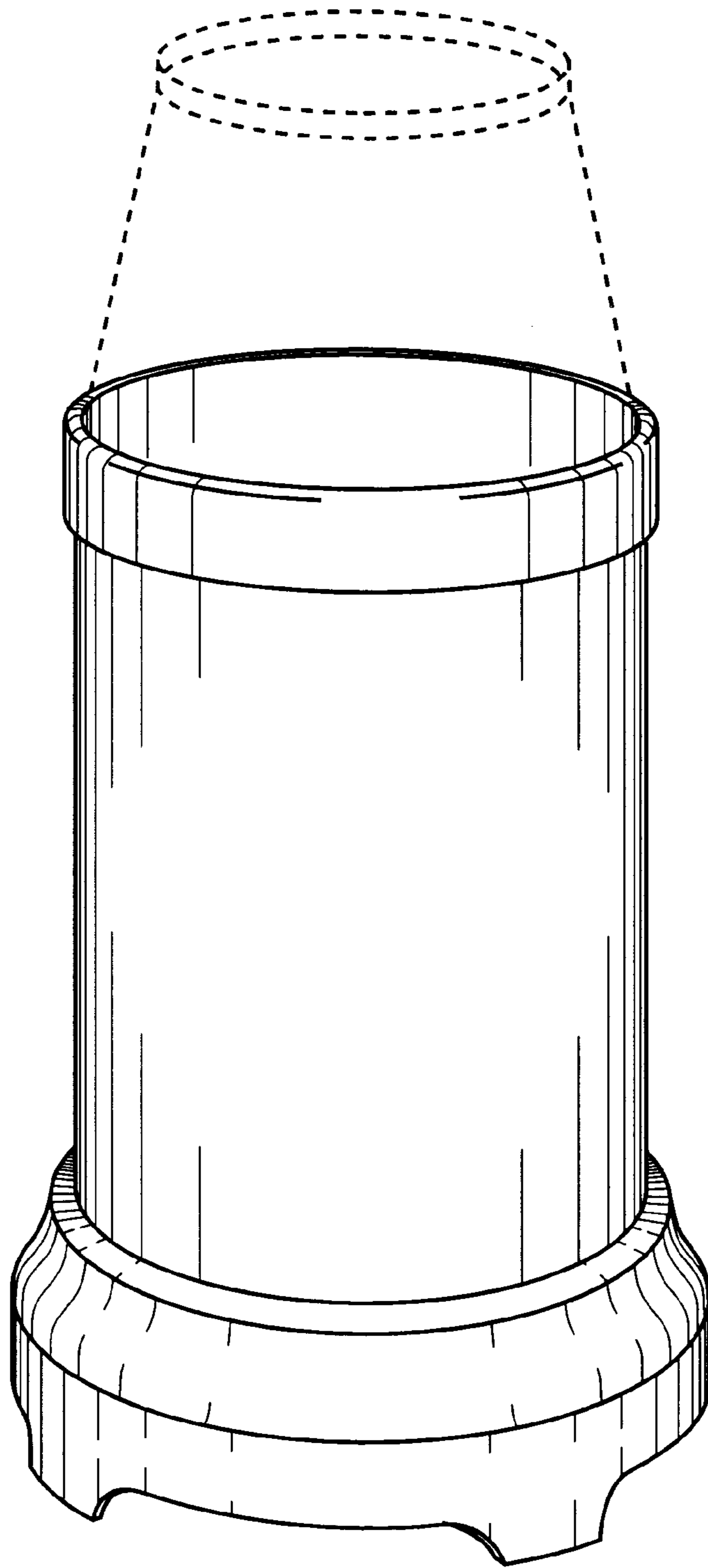


FIG. 5