



US00D413465S

United States Patent [19]

Scholey et al.

[11] Patent Number: **Des. 413,465**

[45] Date of Patent: **** Sep. 7, 1999**

[54] **IMPELLER FOR EARPLUG DISPENSER**

3,862,702	1/1975	Johnson et al.	221/222
4,508,242	4/1985	Wolfe	222/251 X
5,518,149	5/1996	Lotspeich et al.	221/222

[75] Inventors: **Michael Forbes Scholey**, Pacoima;
Norman John Smith, Los Angeles;
Chick Ngai, Torrance, all of Calif.

Primary Examiner—Brian N. Vinson
Attorney, Agent, or Firm—Charles H Schwartz

[73] Assignee: **Moldex-Metric, Inc.**, Culver City, Calif.

[57] CLAIM

[**] Term: **14 Years**

The ornamental design for an impeller for earplug dispenser, as shown and described.

[21] Appl. No.: **29/078,395**

DESCRIPTION

[22] Filed: **Oct. 23, 1997**

FIG. 1 is a top perspective view of an impeller for an earplug dispenser according to our new invention;

[51] **LOC (6) Cl.** **07-07**

[52] **U.S. Cl.** **D6/515**

FIG. 2 is a top plan view thereof;

[58] **Field of Search** D6/515, 517; 221/208, 221/222; 222/251, 252

FIG. 3 is a bottom perspective view thereof; and,

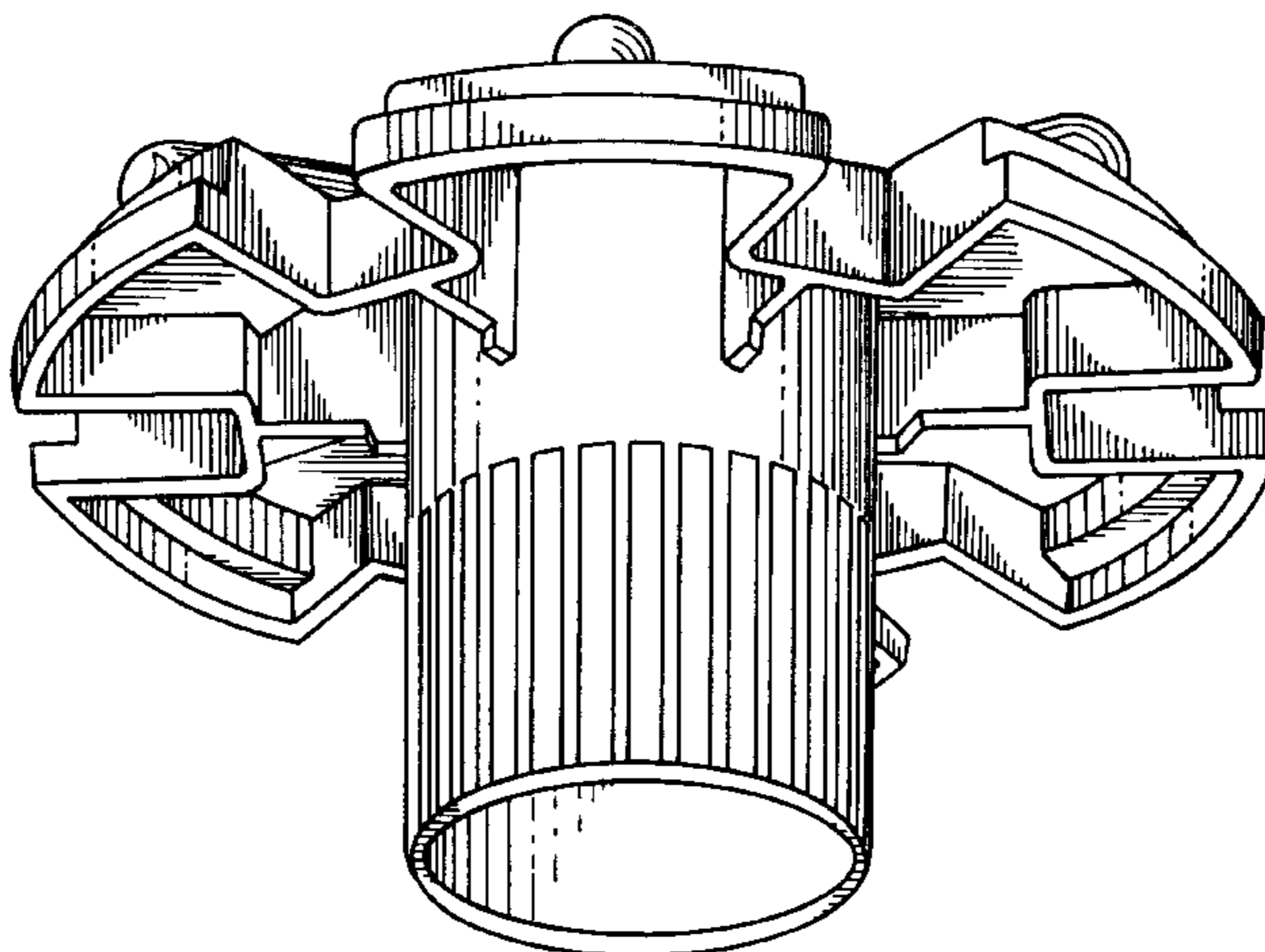
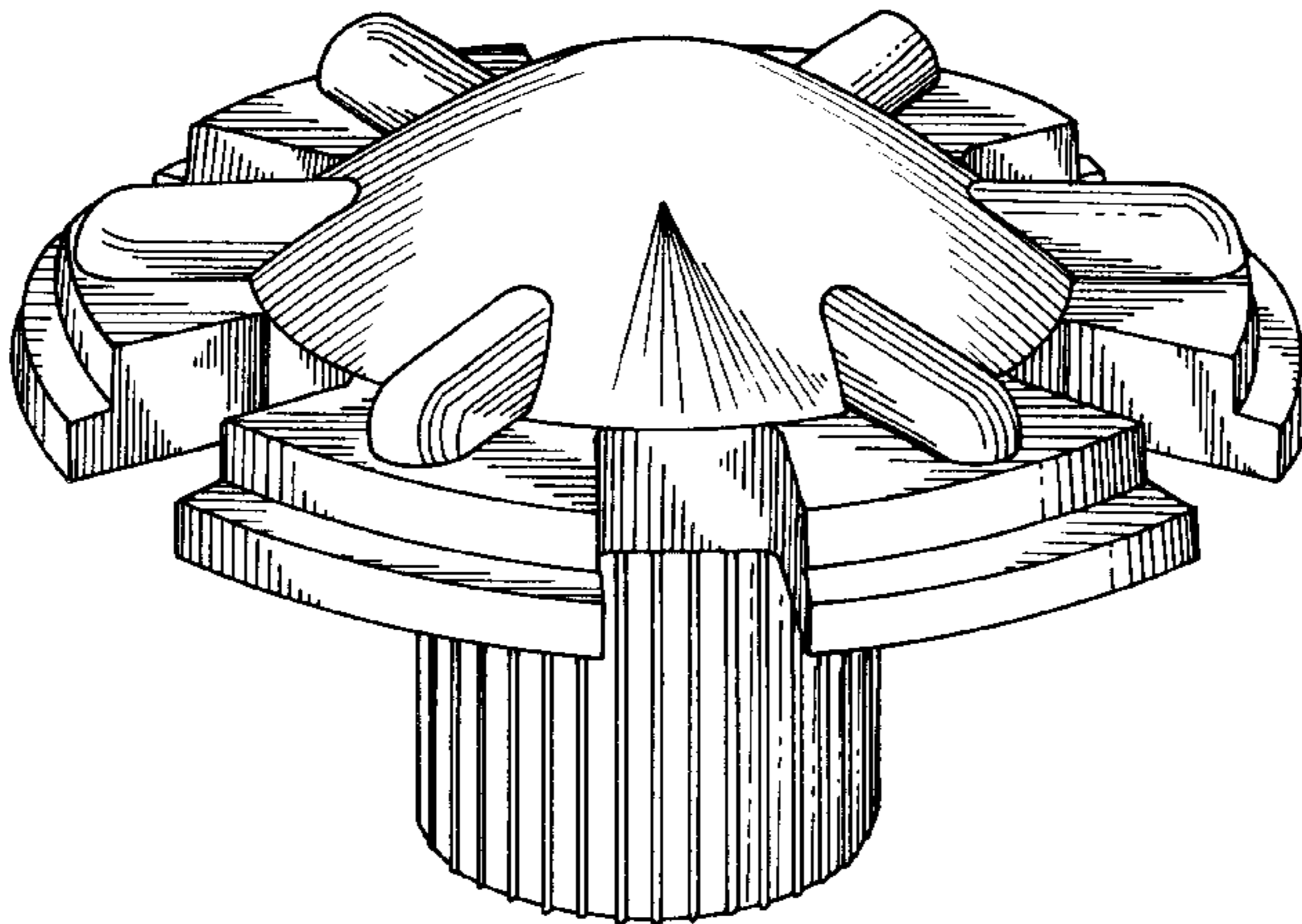
FIG. 4 is a cross-sectional view taken along lines 4—4 of FIG. 2.

[56] References Cited

U.S. PATENT DOCUMENTS

3,198,402 8/1965 Hunt et al. 221/222

1 Claim, 2 Drawing Sheets



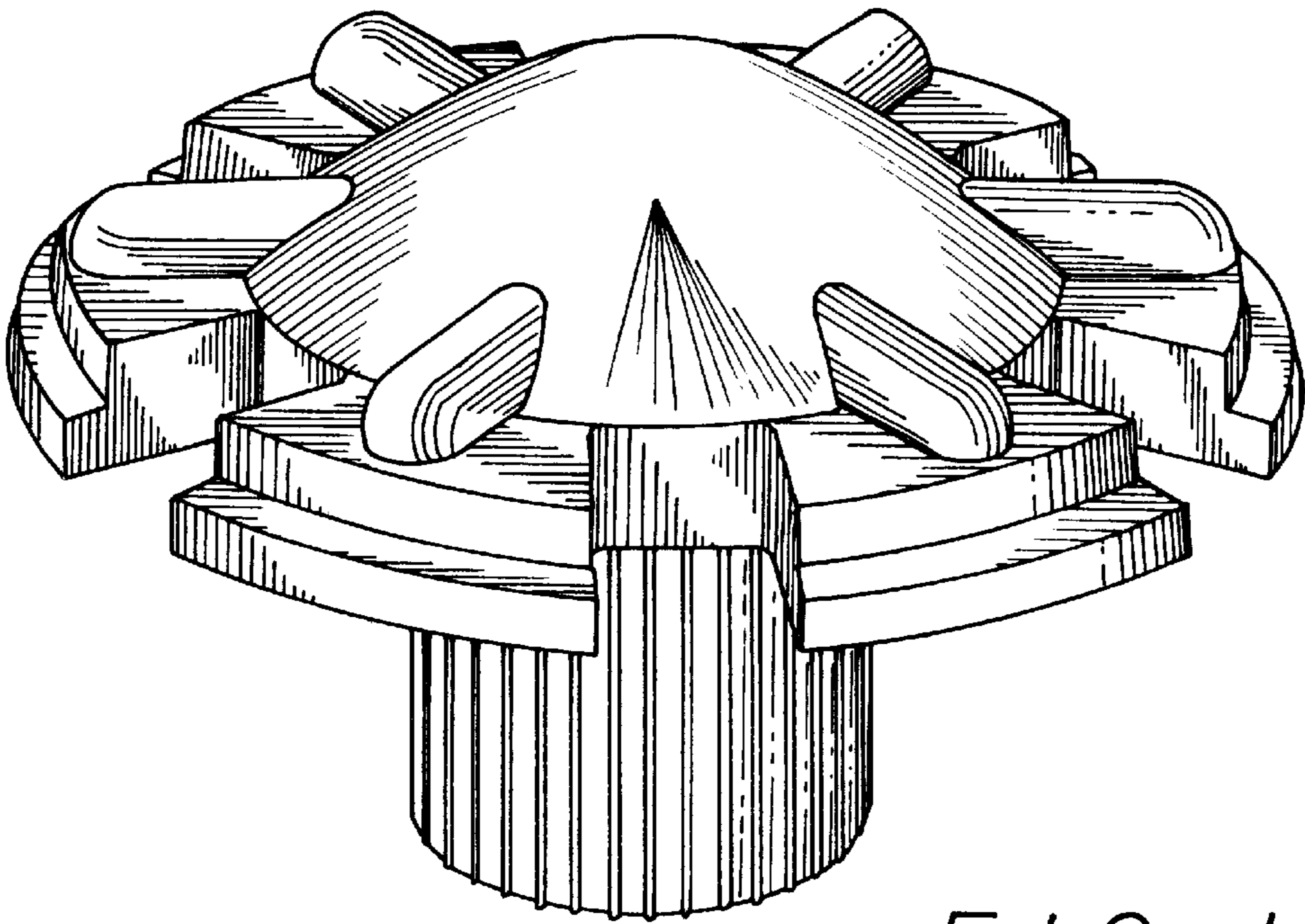


FIG. 1

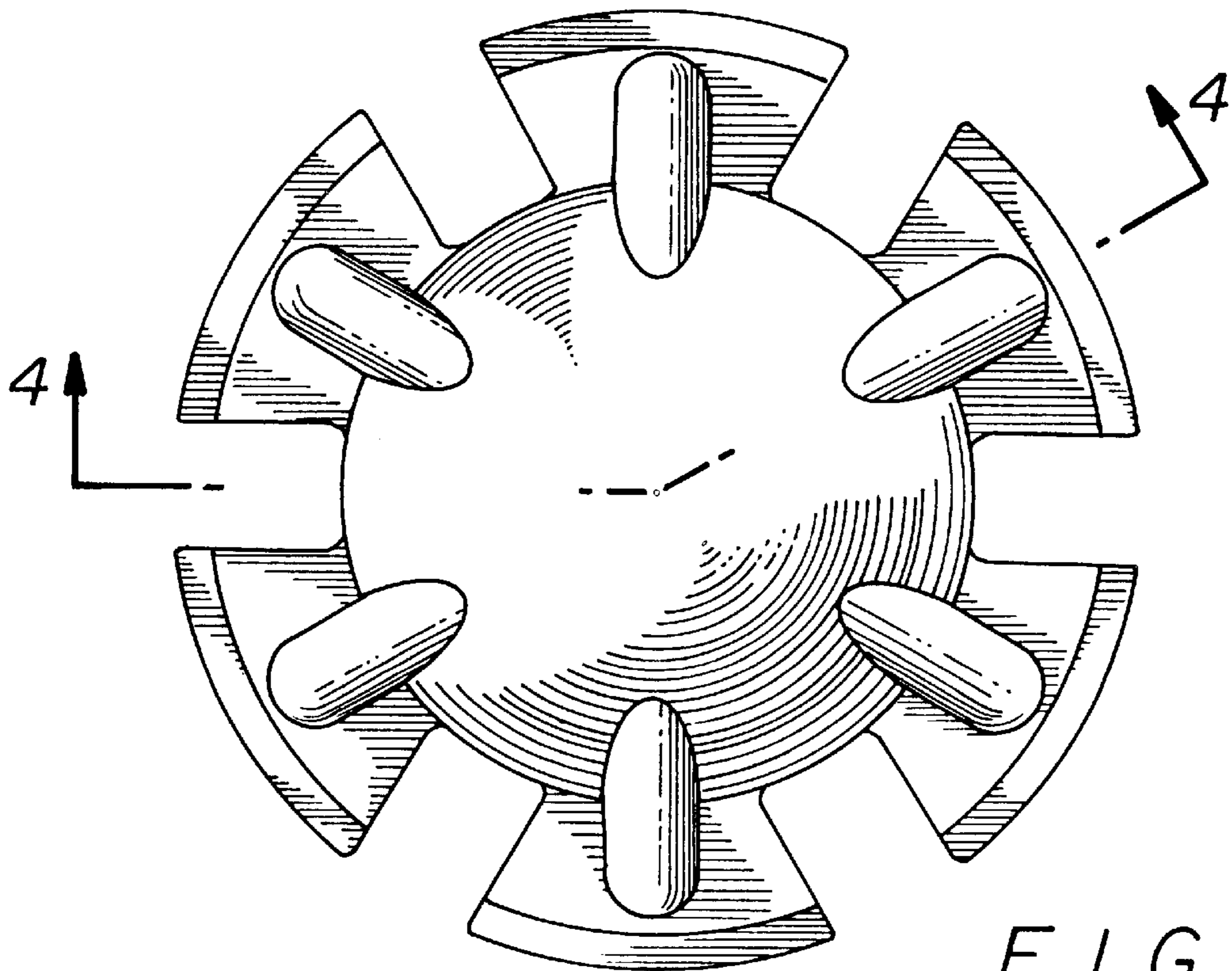


FIG. 2

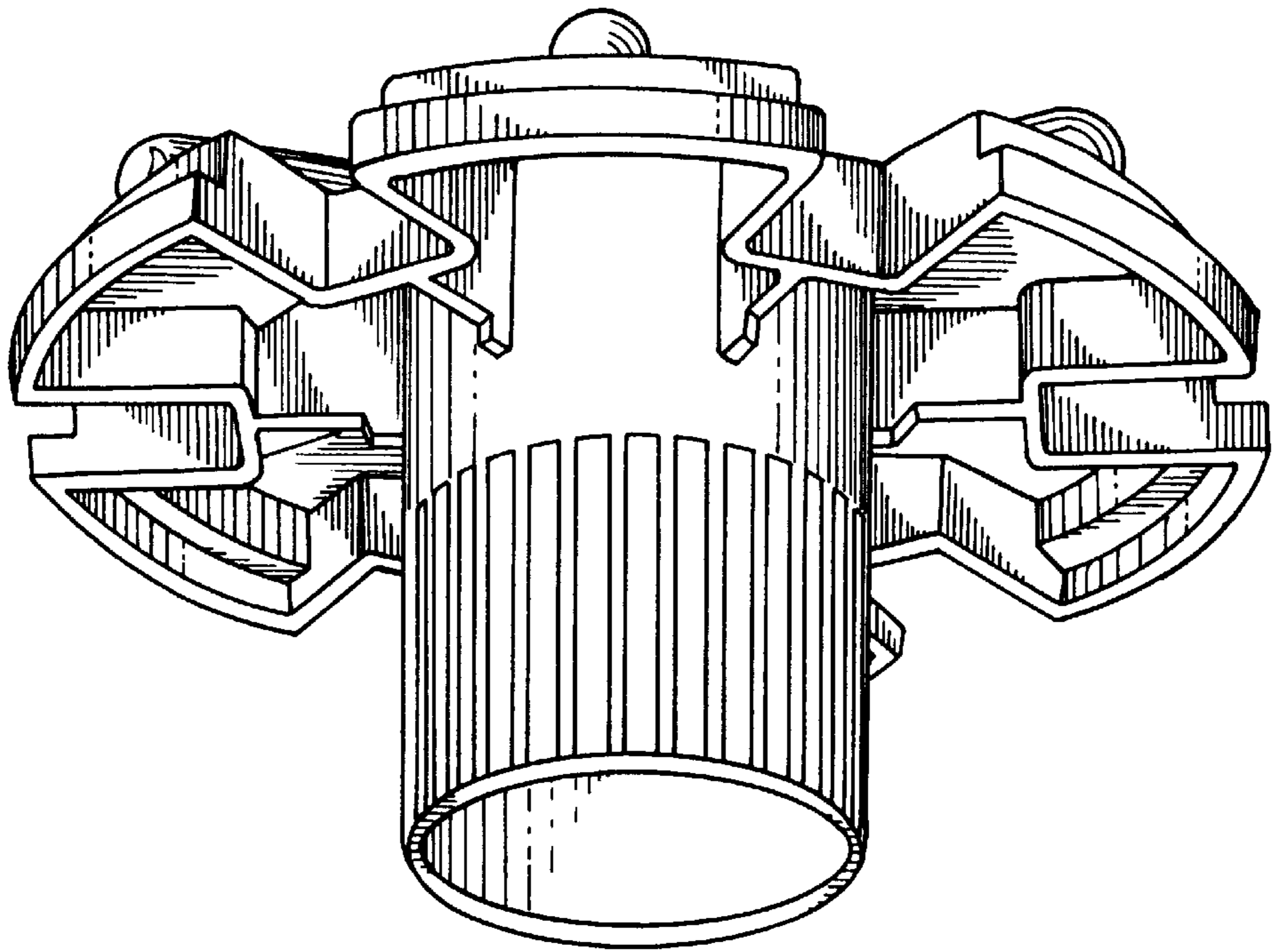


FIG. 3

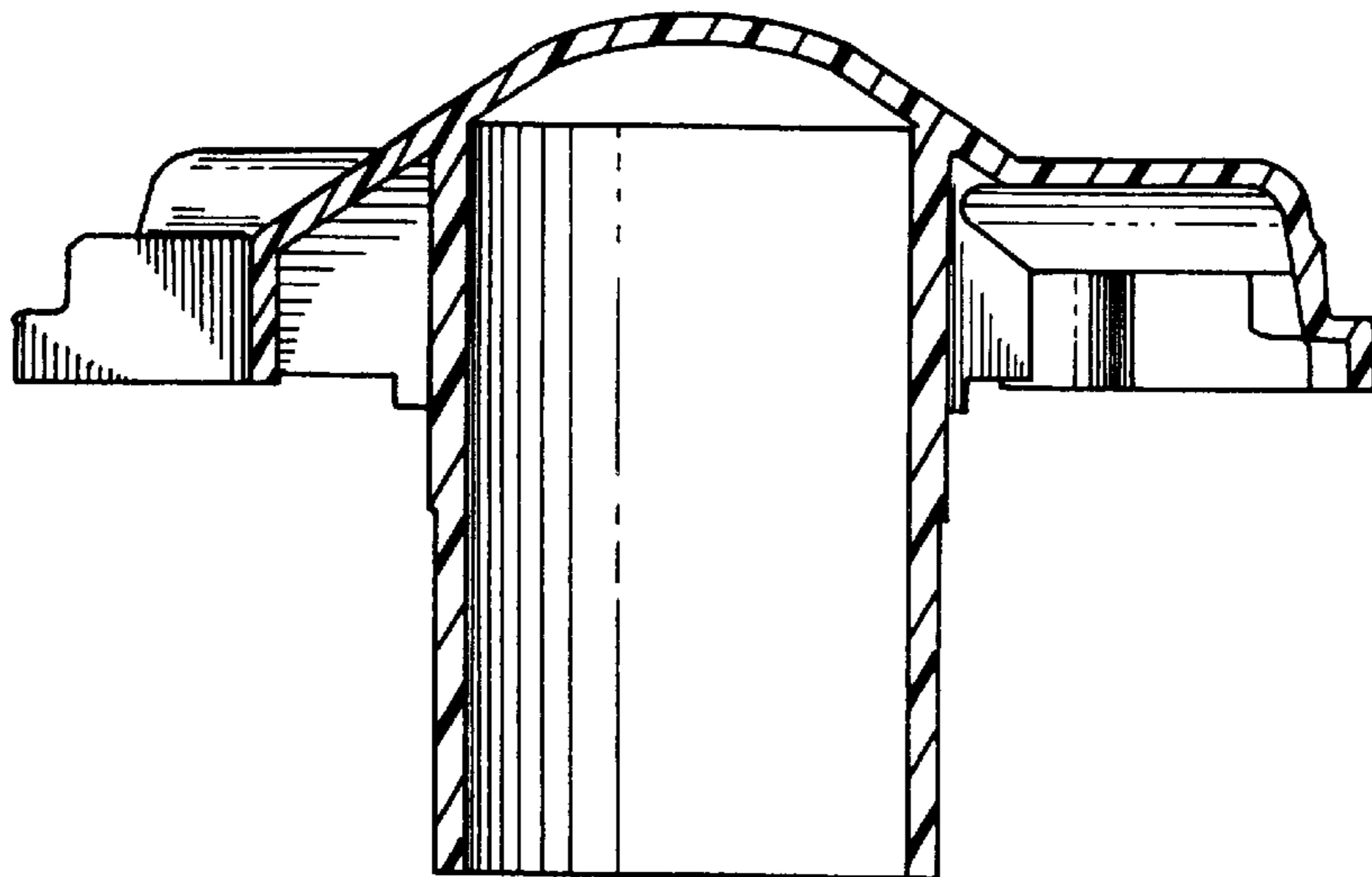


FIG. 4