



US00D413464S

# United States Patent [19] Richter

[11] Patent Number: Des. 413,464

[45] Date of Patent: \*\* Sep. 7, 1999

[54] ARTICLE SUPPORT DEVICE

[76] Inventor: **Herbert Richter**, Drosselweg 8, 75331 Engelbrand, Germany

[\*\*] Term: **14 Years**

[21] Appl. No.: **29/092,592**

[22] Filed: **Aug. 24, 1998**

[51] LOC (6) Cl. .... **08-08**

[52] U.S. Cl. .... **D6/513; D6/315; D12/416**

[58] Field of Search ..... D6/512-514, 315, D6/317, 320, 323; D8/345, 354, 367, 372, 373, 376; D12/406, 415, 416; 211/13.1, 30, 86, 87, 113, 181.1, 182; 248/214, 251, 304, 317

[56] **References Cited**

**U.S. PATENT DOCUMENTS**

D. 262,852	2/1982	Wallenwein	.....	D6/315	X
D. 308,442	6/1990	Moll	.....	D12/416	X
D. 334,316	3/1993	Daniel	.....	D6/315	X
D. 353,502	12/1994	Liu	.....	D6/513	
D. 375,673	11/1996	Schowalter	.....	D6/315	X
D. 397,565	9/1998	Klein et al.	.....	D6/513	
4,872,568	10/1989	Lehmann	.....	211/113	
5,107,996	4/1992	Whittaker	.....	211/113	X
5,415,457	5/1995	Kifer	.....	D12/416	X

5,836,486 11/1998 Ohsugi ..... 211/113 X

*Primary Examiner*—Brian N. Vinson  
*Attorney, Agent, or Firm*—Klaus J. Bach

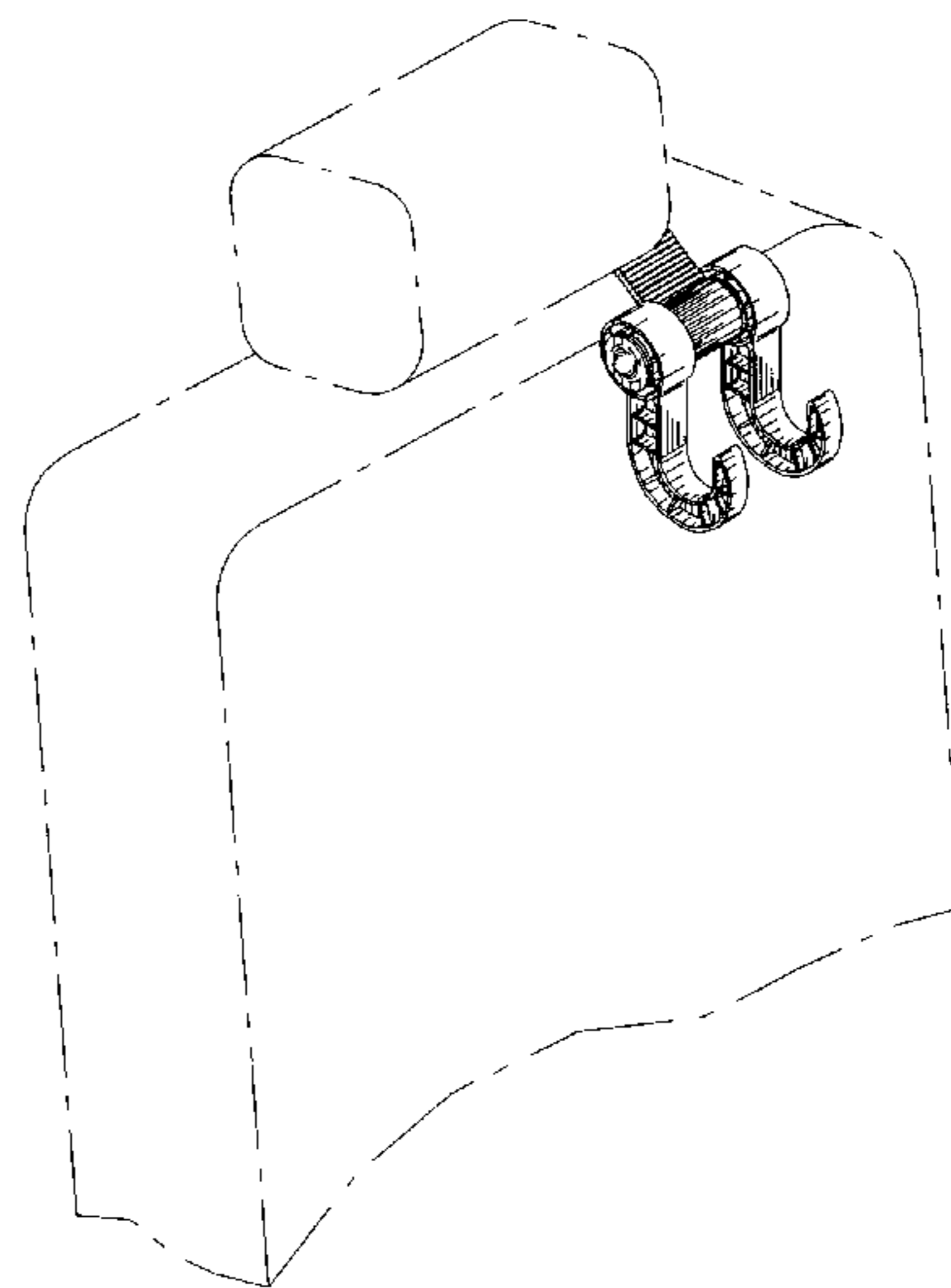
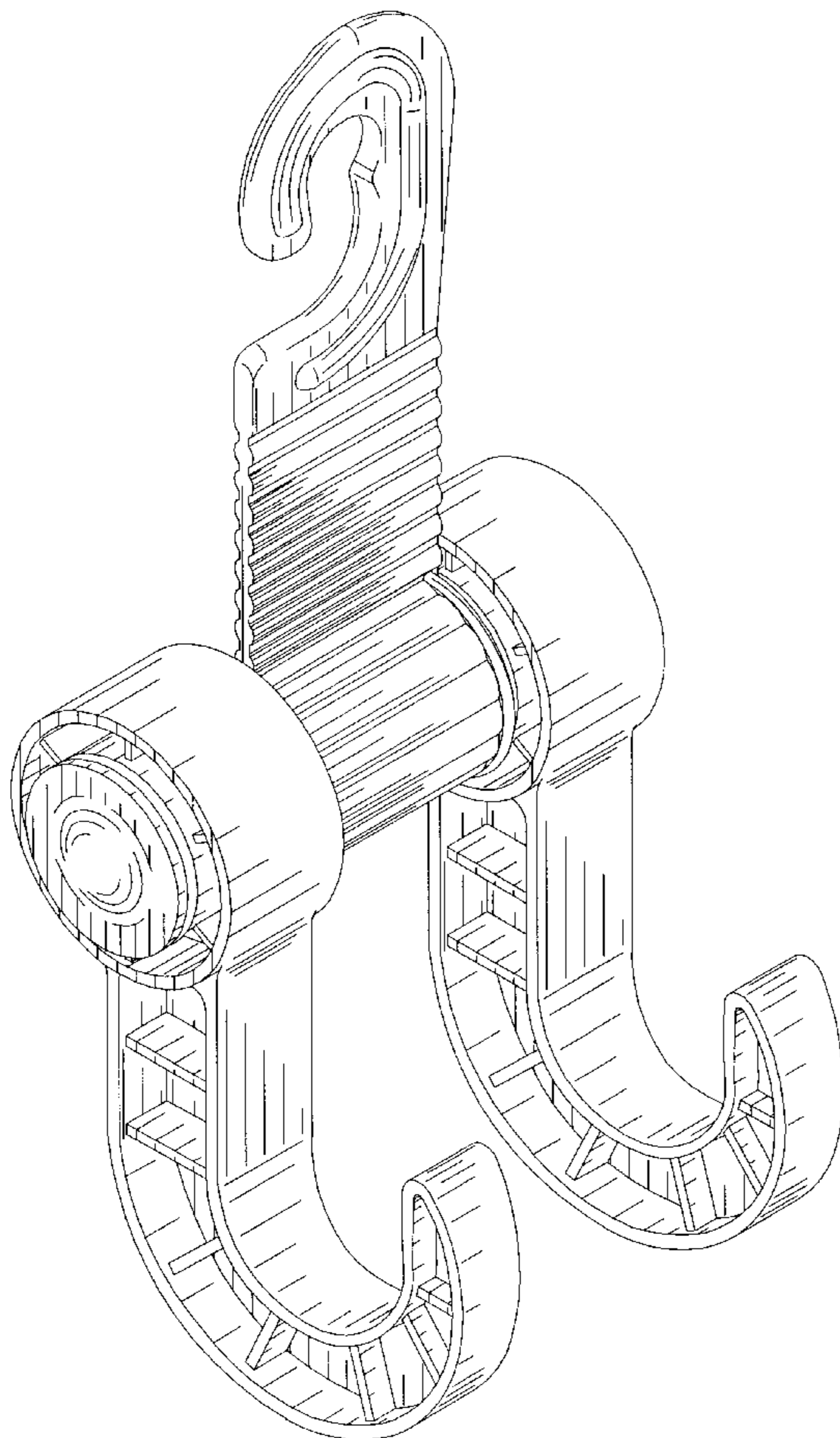
[57] **CLAIM**

The ornamental design for an article support device, as shown and described.

**DESCRIPTION**

FIG. 1 is a perspective view of the article support device; FIG. 2 is a front view of the article support device shown in FIG. 1; FIG. 3 is a rear view of the article support device shown in FIG. 1; FIG. 4 is a right side view of the article support device shown in FIG. 2; FIG. 5 is a left side view of the article support device shown in FIG. 2; FIG. 6 is a top view of the article support device shown in FIG. 2; FIG. 7 is a bottom view of the article support device shown in FIG. 2; and, FIG. 8 is a reduced perspective view thereof, with the broken-line disclosure of a portion of a vehicle seat being for illustrative purposes only and forms no part of the claimed design.

**1 Claim, 4 Drawing Sheets**



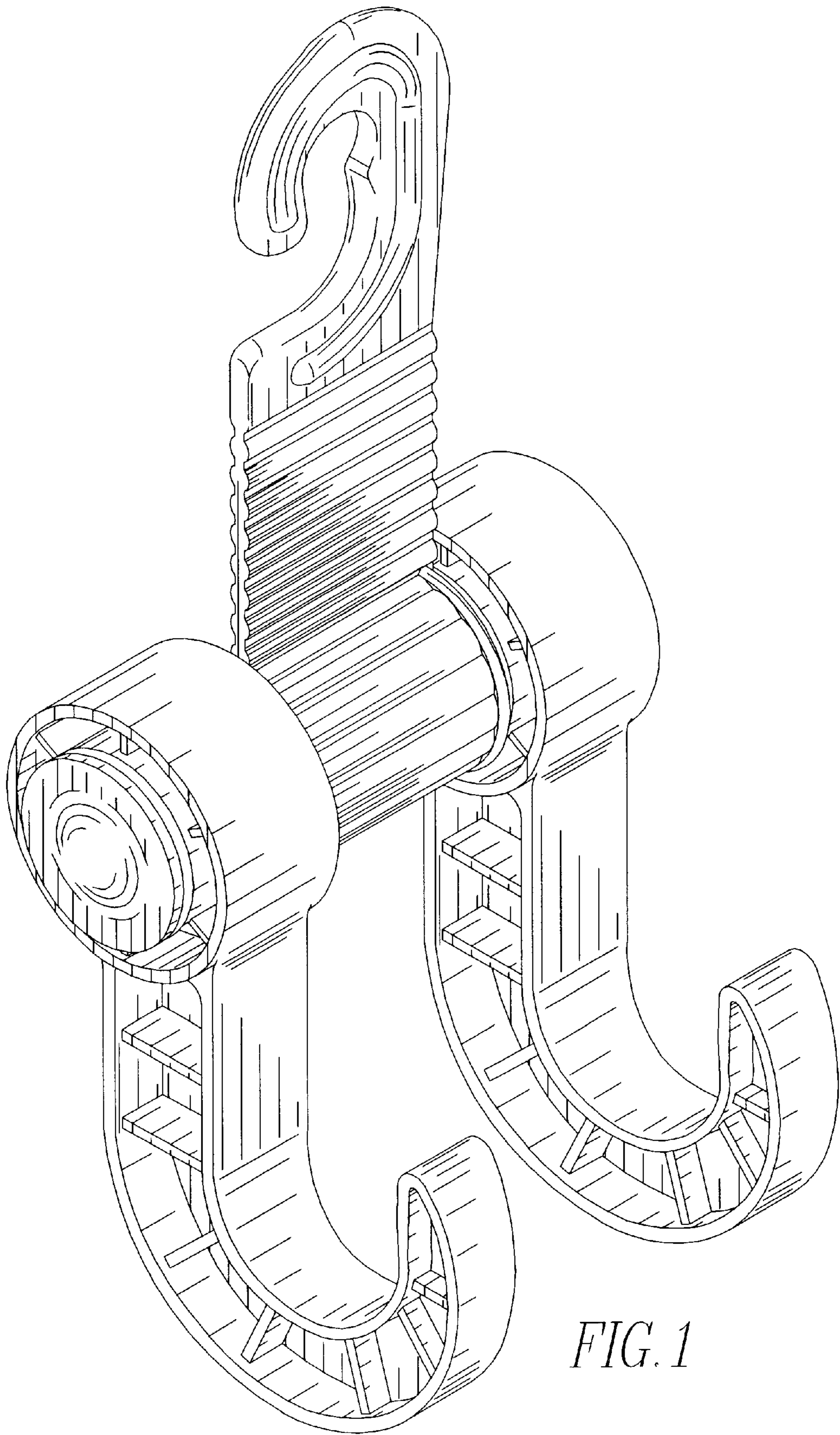


FIG. 1

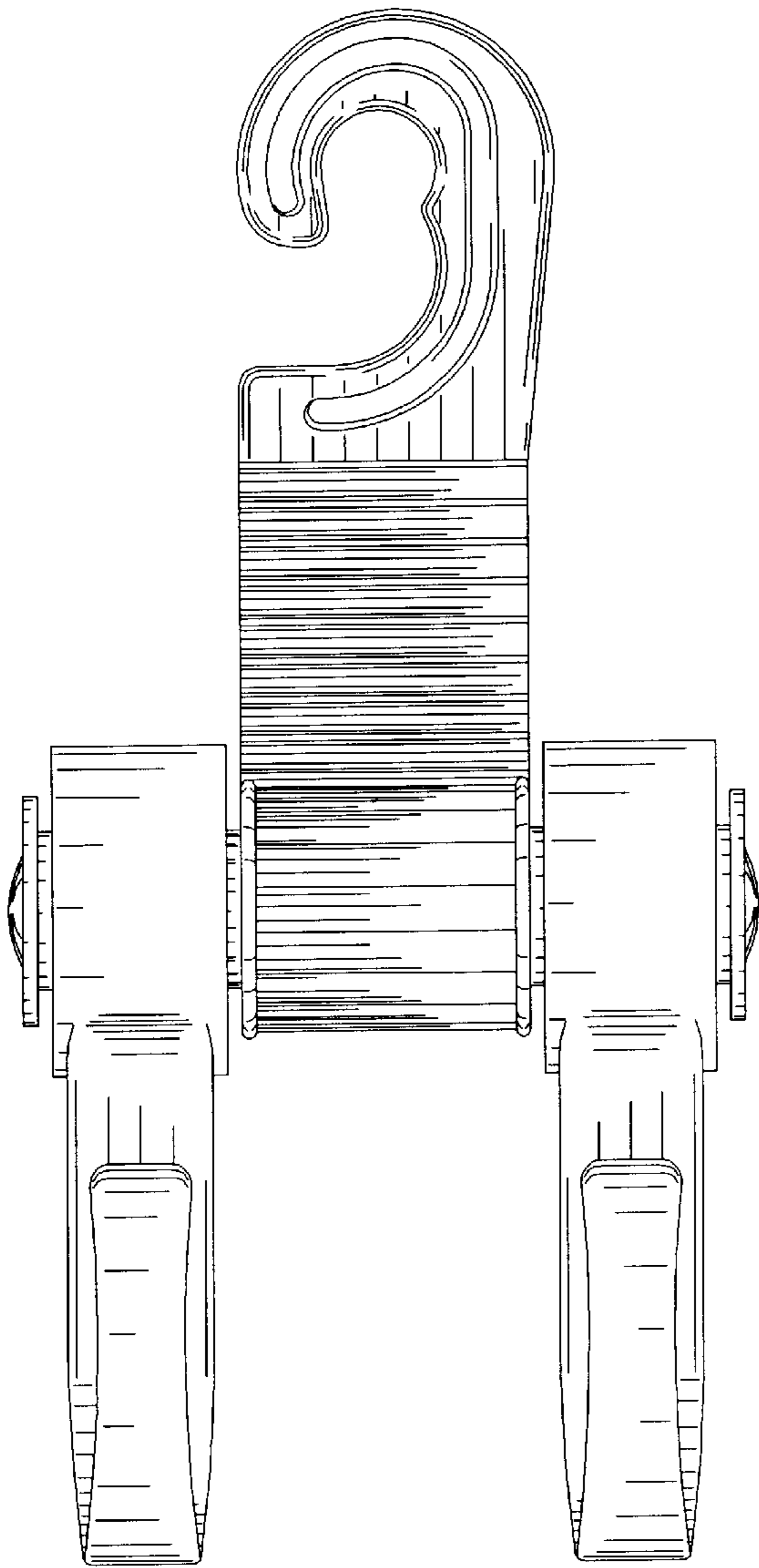


FIG. 2

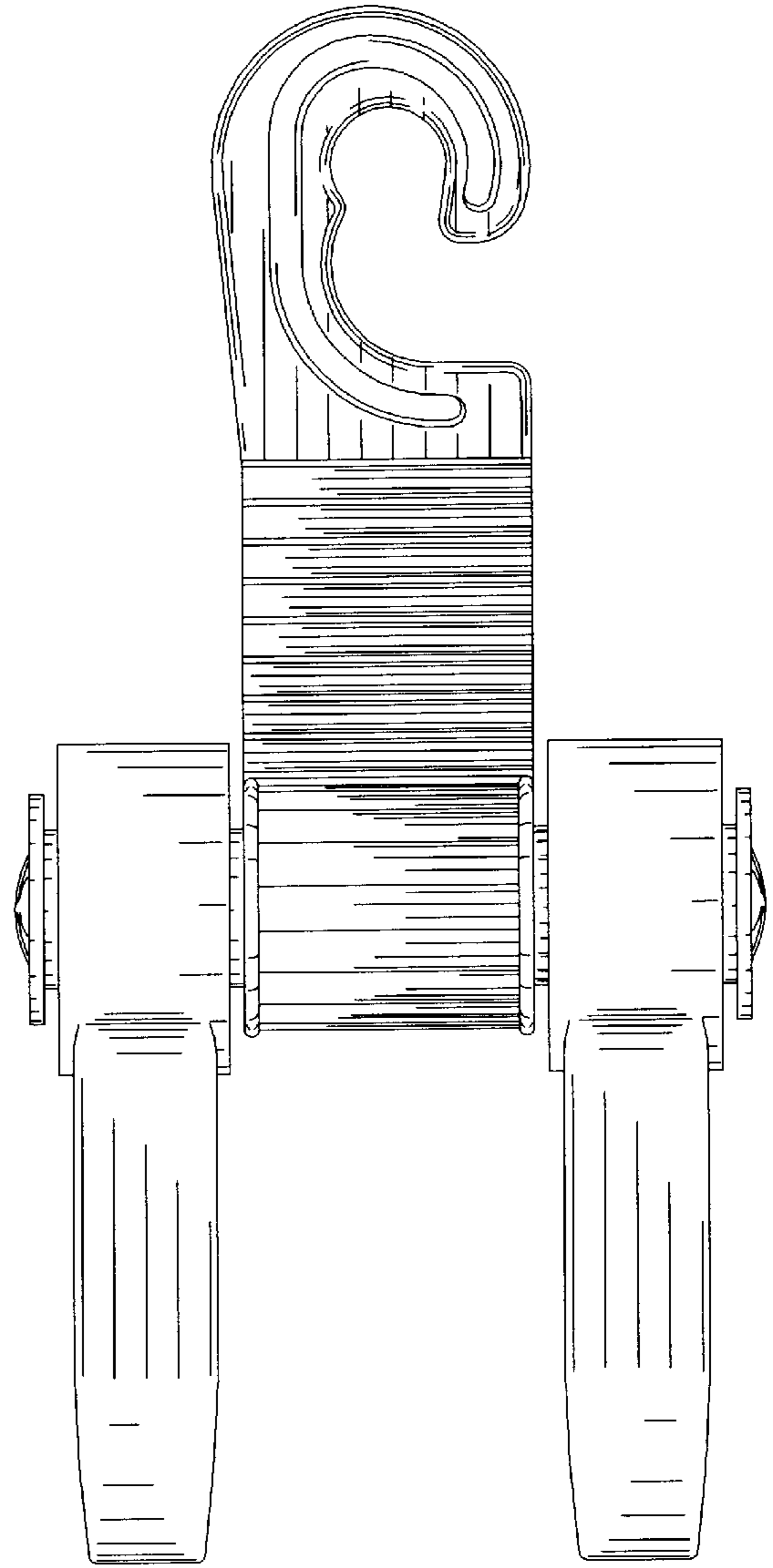


FIG. 3

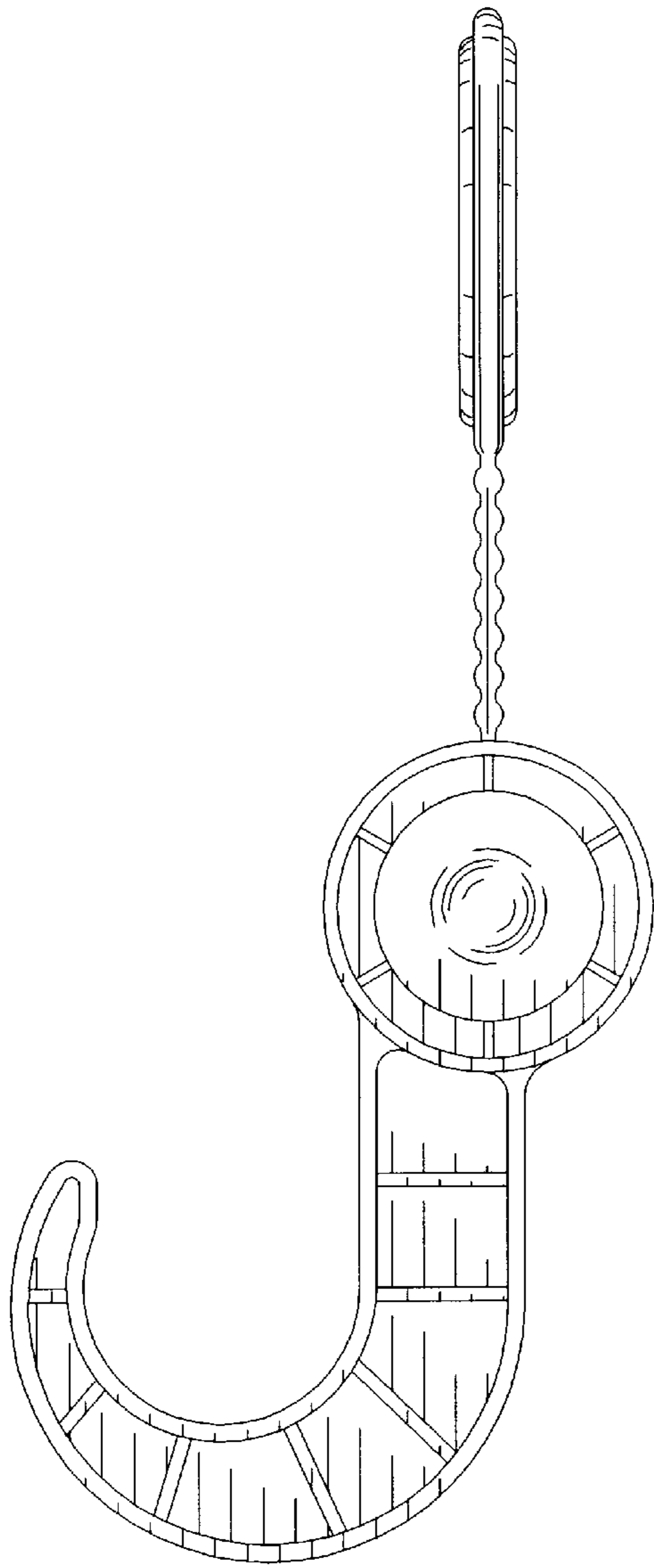


FIG. 4

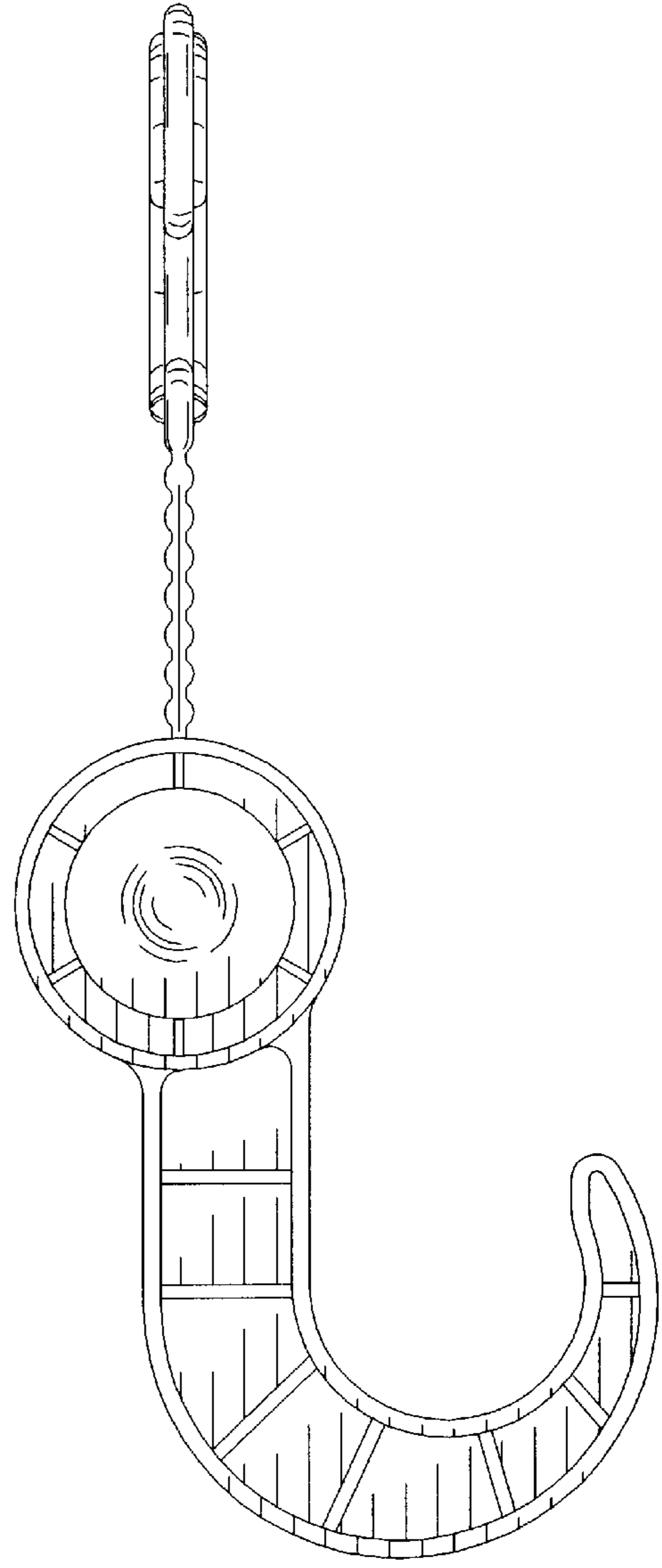


FIG. 5

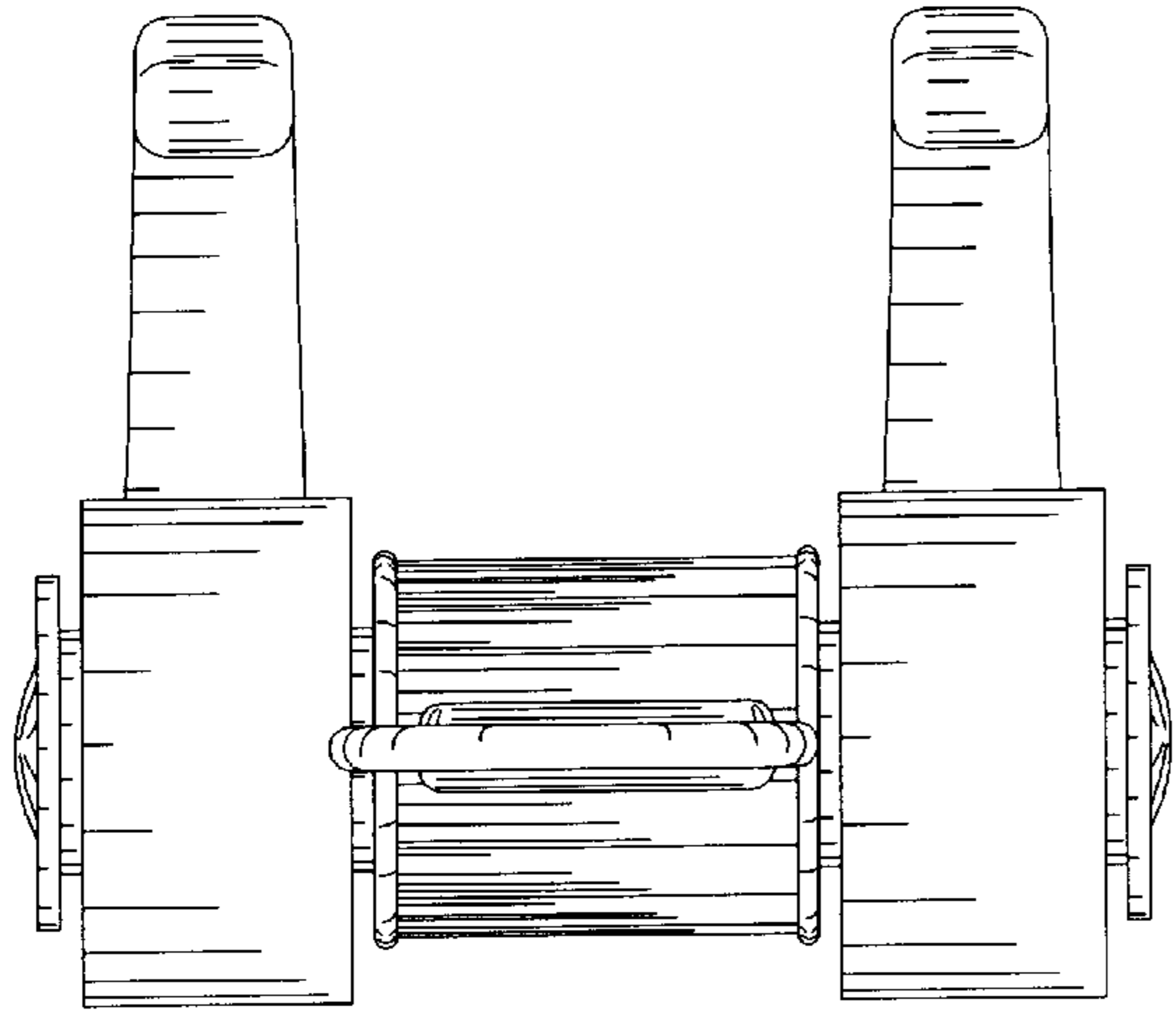


FIG. 6

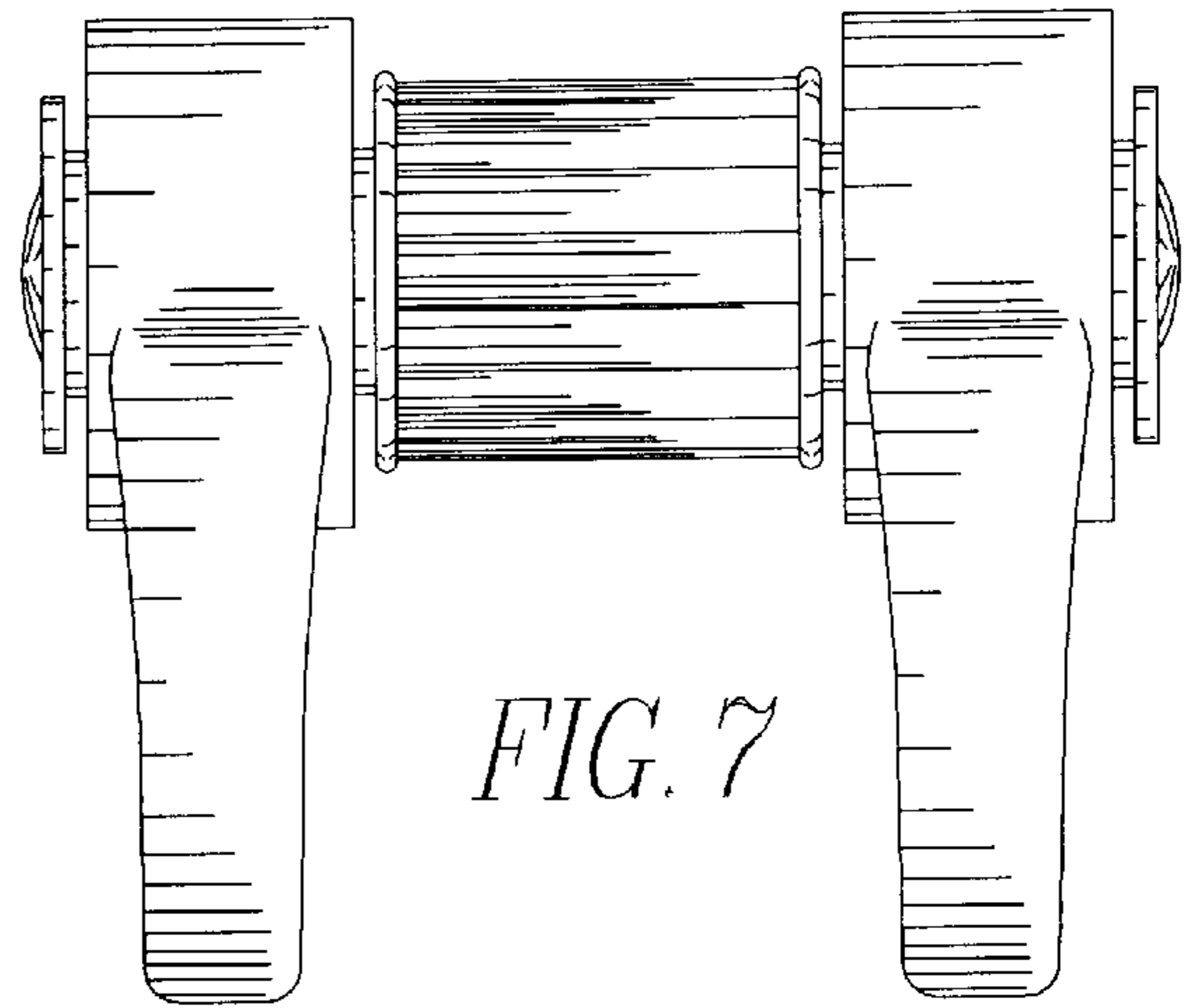


FIG. 7

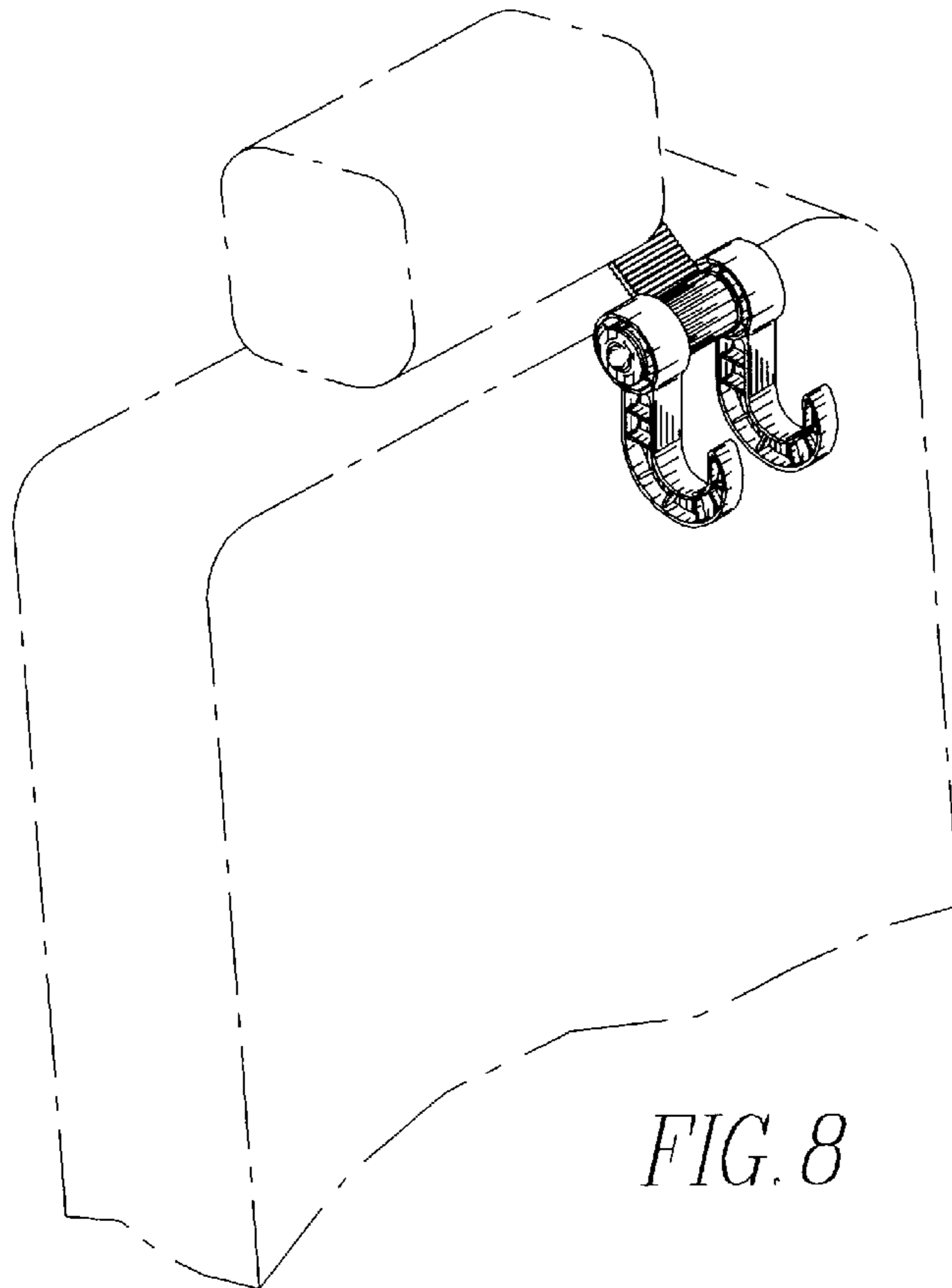


FIG. 8