



US00D413463S

United States Patent [19]
Volk

[11] **Patent Number: Des. 413,463**

[45] **Date of Patent: ** Sep. 7, 1999**

[54] **BED GUARD**

[75] Inventor: **Raanan Volk**, Ramat-Gan, Israel

[73] Assignee: **Odem Plast Ltd.**, Ramat Hagolan, Israel

[**] Term: **14 Years**

[21] Appl. No.: **29/084,369**

[22] Filed: **Mar. 2, 1998**

[51] **LOC (6) Cl.** **06-06**

[52] **U.S. Cl.** **D6/503; D6/491**

[58] **Field of Search** D6/503, 505, 491,
D6/382; 5/424-426, 428, 429; D24/184

[56] **References Cited**

U.S. PATENT DOCUMENTS

D. 339,702	9/1993	Herskovitz	D6/503
D. 365,476	12/1995	Bernstein et al.	D6/503
D. 391,792	3/1998	Scherer et al.	D6/503
5,671,490	9/1997	Wu	5/426

Primary Examiner—Janice E. Seeger

Attorney, Agent, or Firm—Oliff & Berridge, PLC

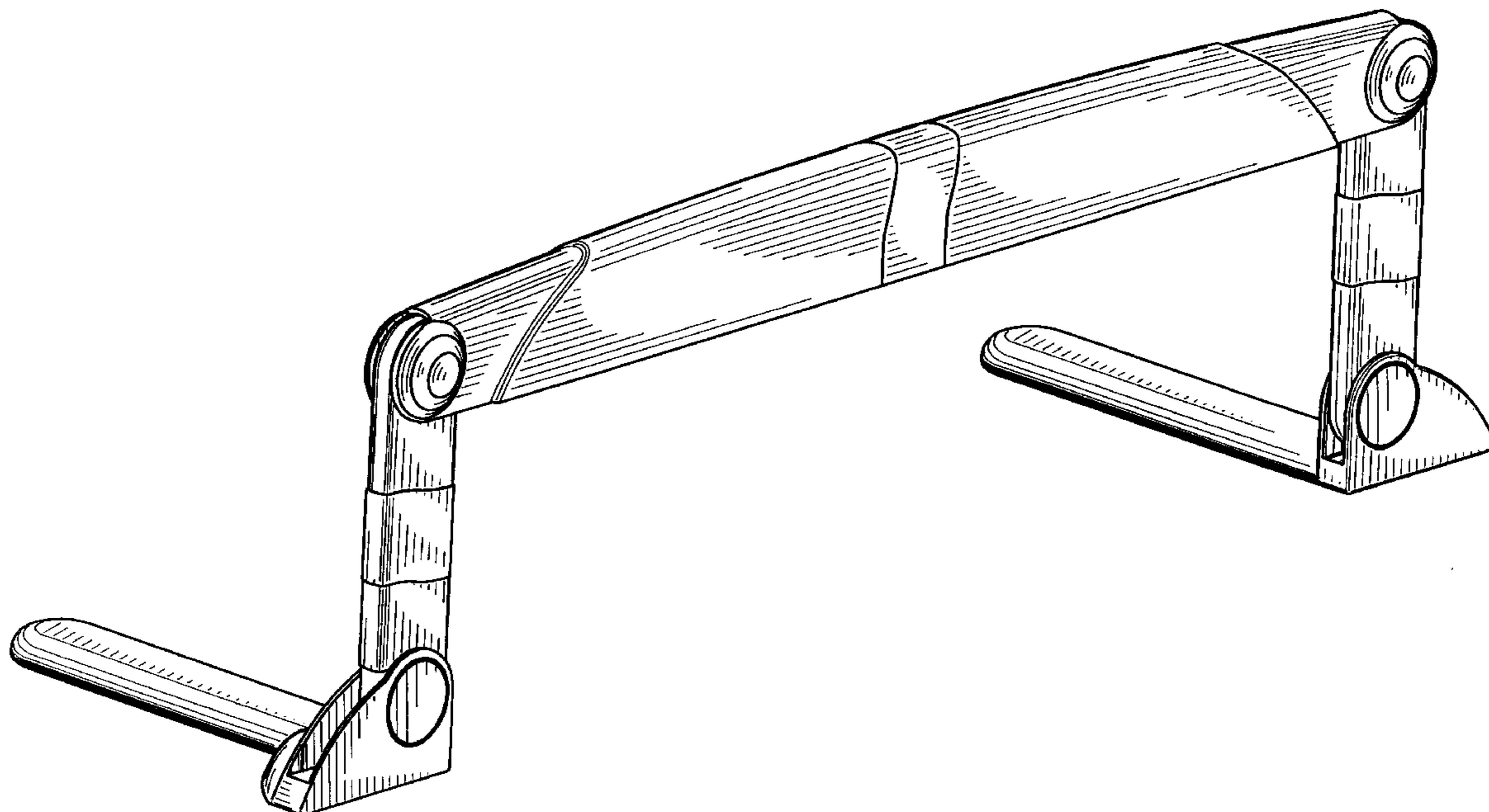
[57] **CLAIM**

The ornamental design for a bed guard, as shown and described.

DESCRIPTION

FIG. 1 is a bottom view in folded position;
 FIG. 2 is a rear view in folded position;
 FIG. 3 is a rear view;
 FIG. 4 is a bottom view;
 FIG. 5 is a side view;
 FIG. 6 is a view from another side;
 FIG. 7 is a side view in folded position;
 FIG. 8 is a view from another side in folded position;
 FIG. 9 is a perspective view with height adapter;
 FIG. 10 is a perspective view in folded position;
 FIG. 11 is a perspective view;
 FIG. 12 is a top view;
 FIG. 13 is a front view;
 FIG. 14 is a top view in folded position; and,
 FIG. 15 is a front view in folded position.

1 Claim, 9 Drawing Sheets



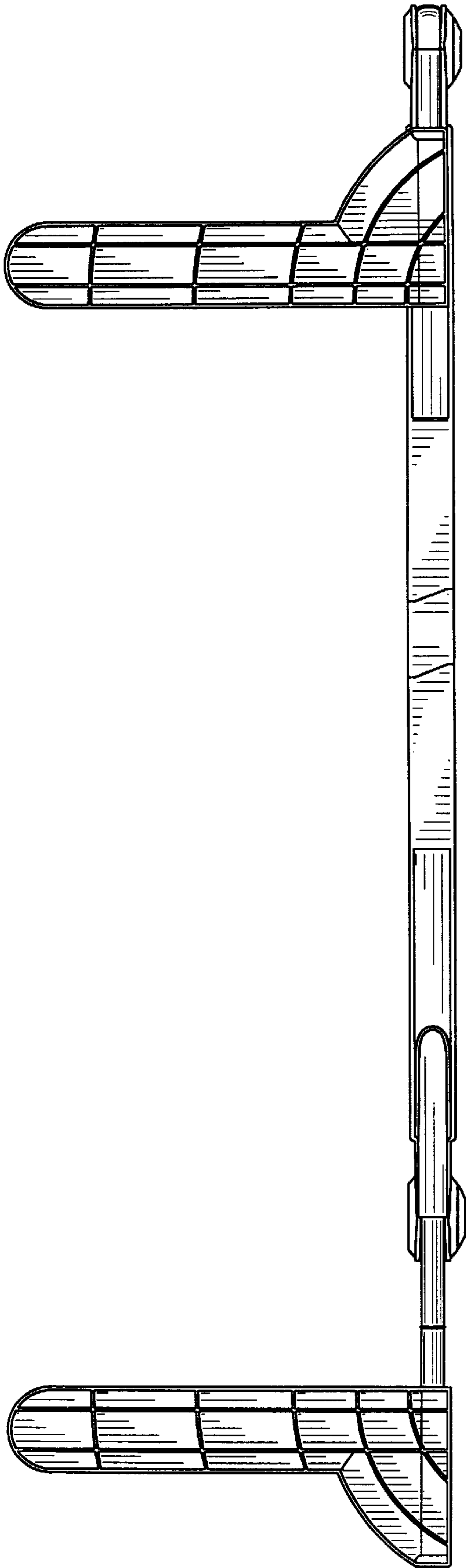


FIG. 1

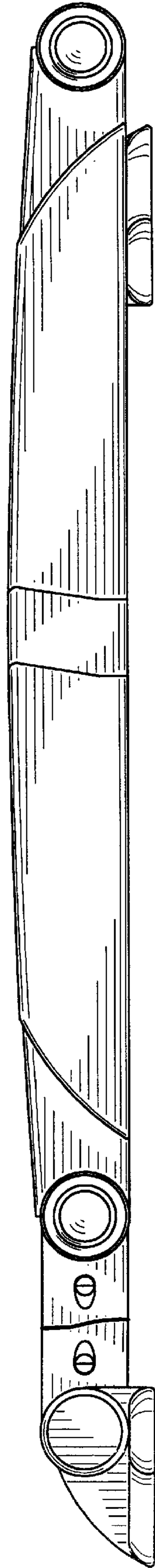


FIG. 2

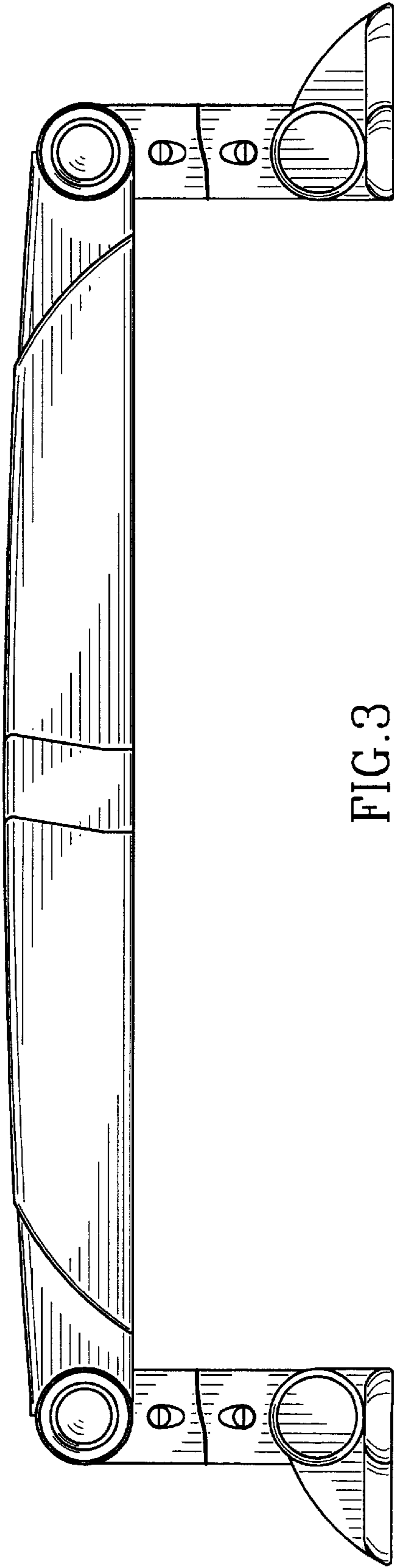


FIG. 3

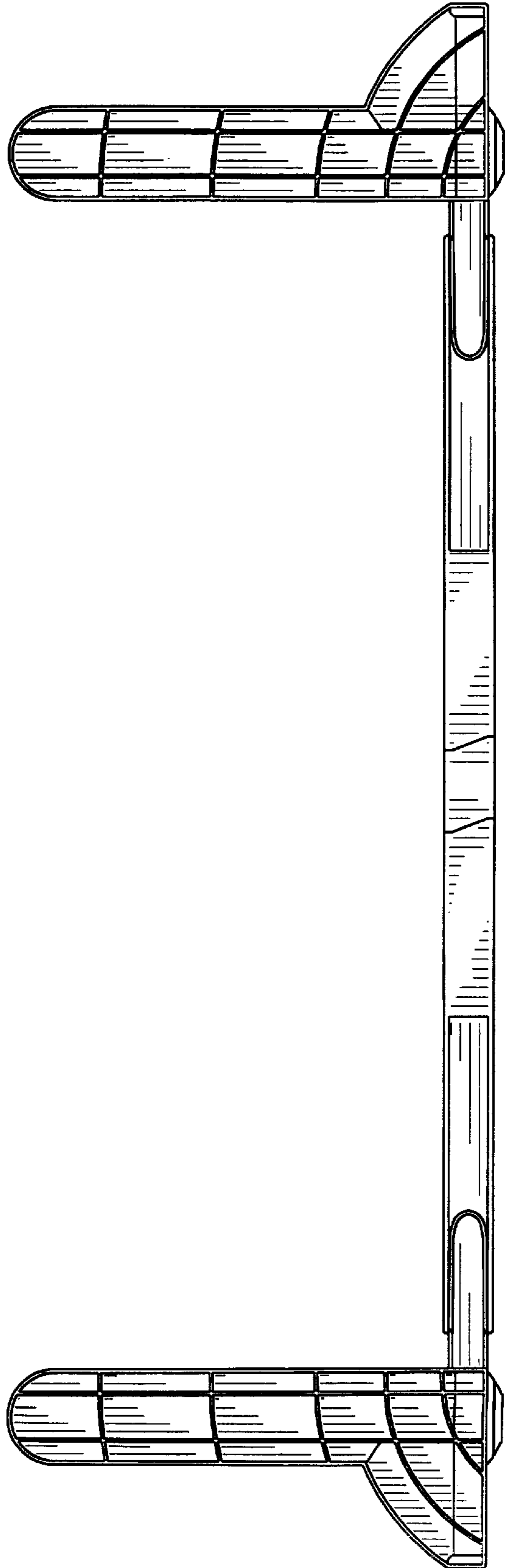


FIG. 4

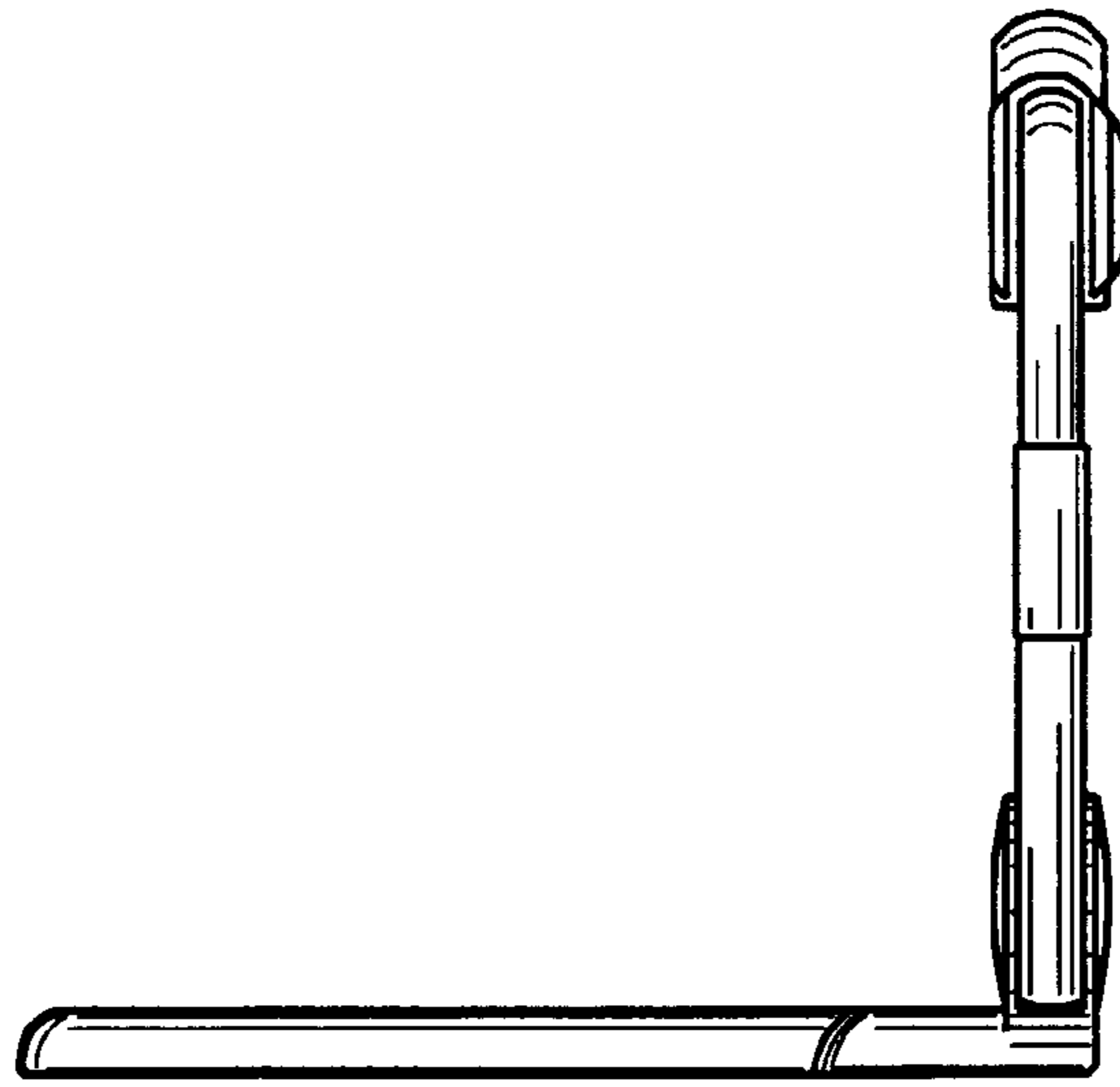


FIG. 5

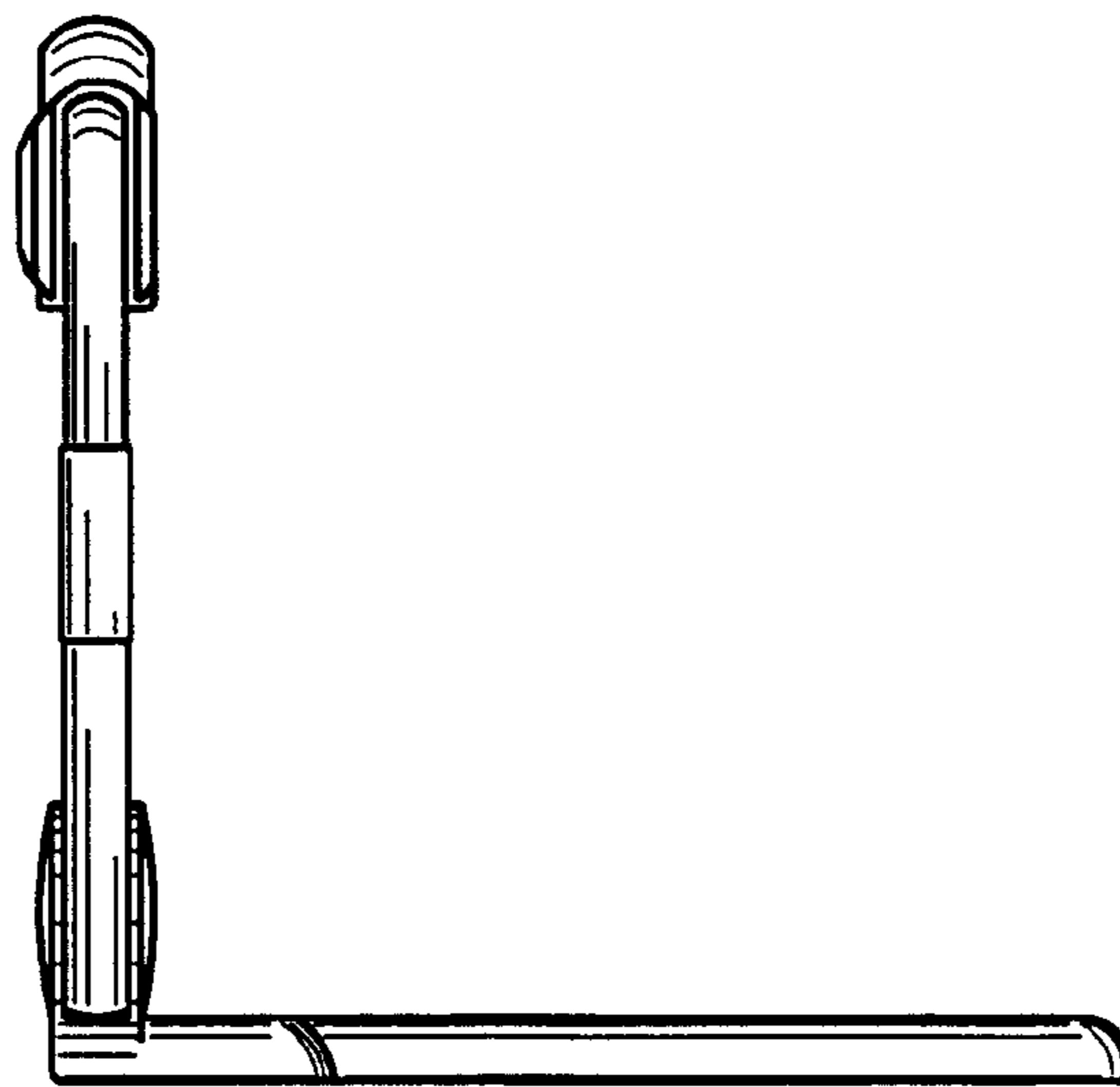


FIG. 6



FIG. 7



FIG. 8

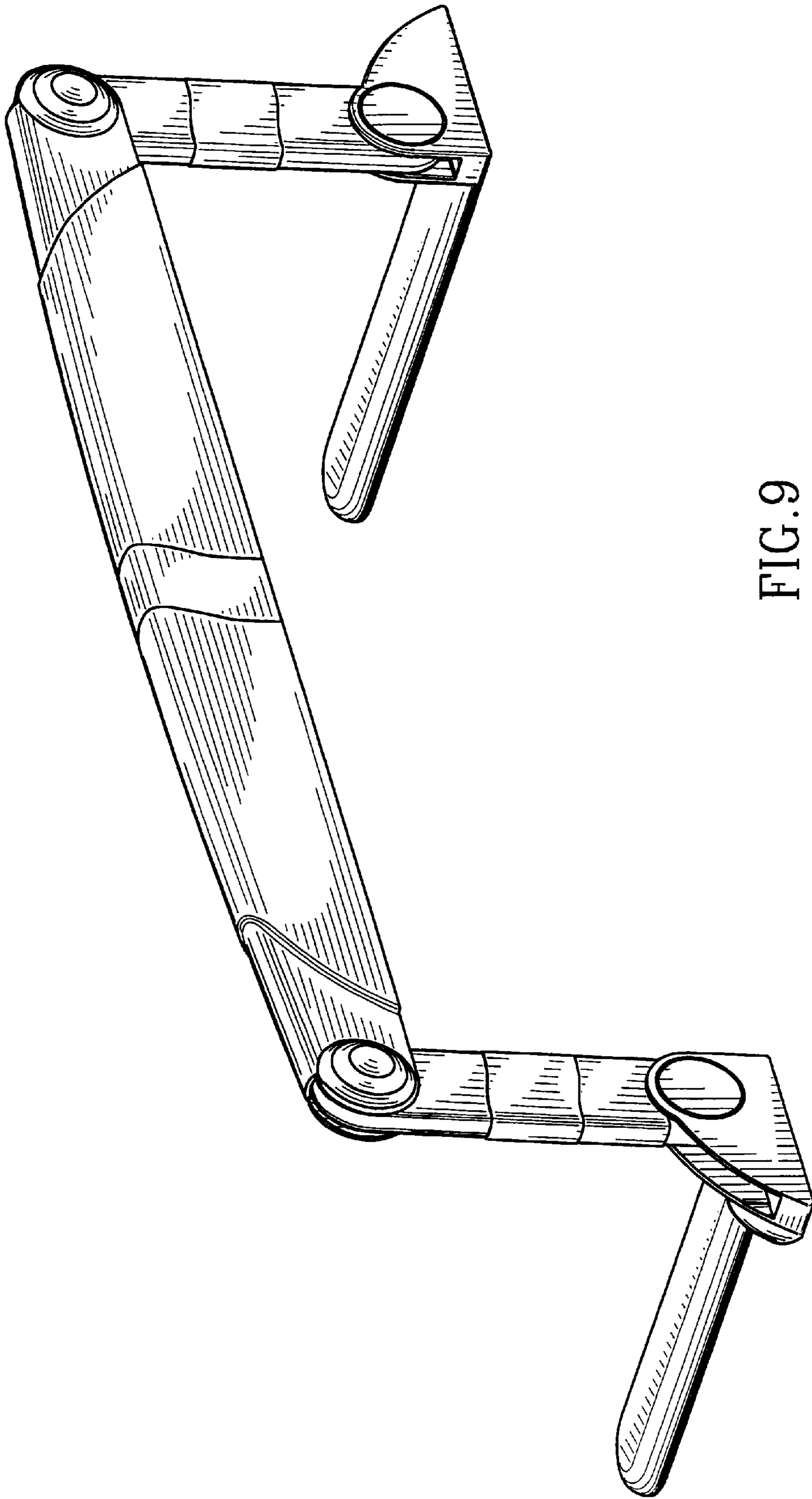


FIG. 9

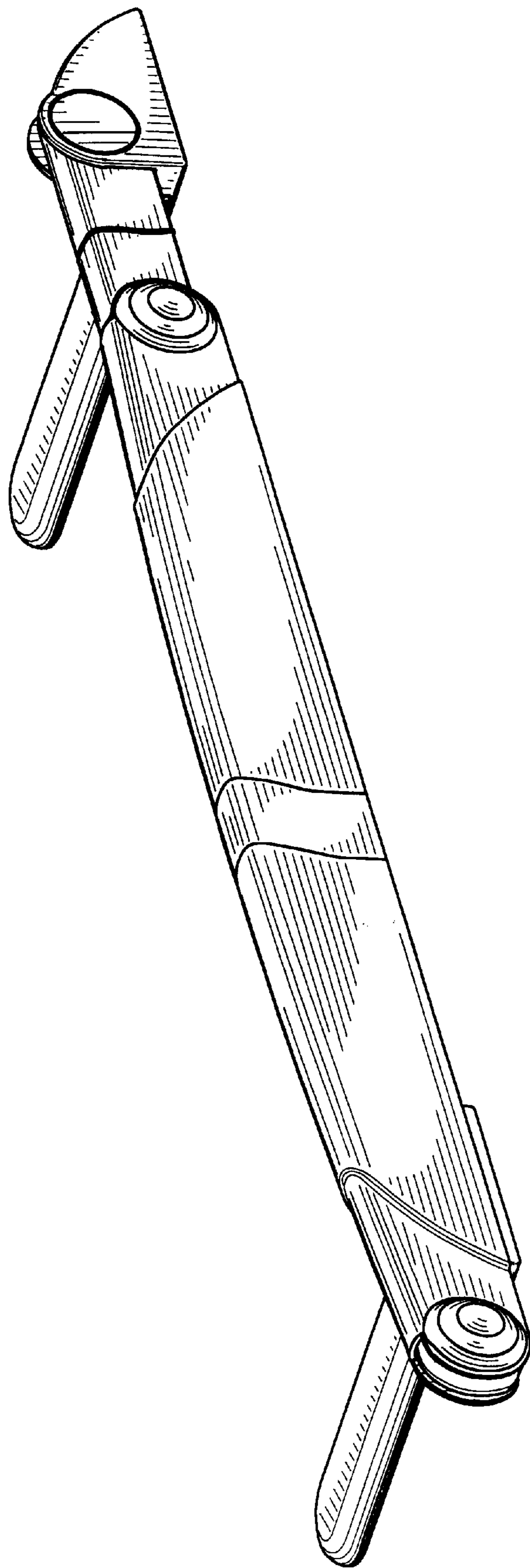


FIG. 10

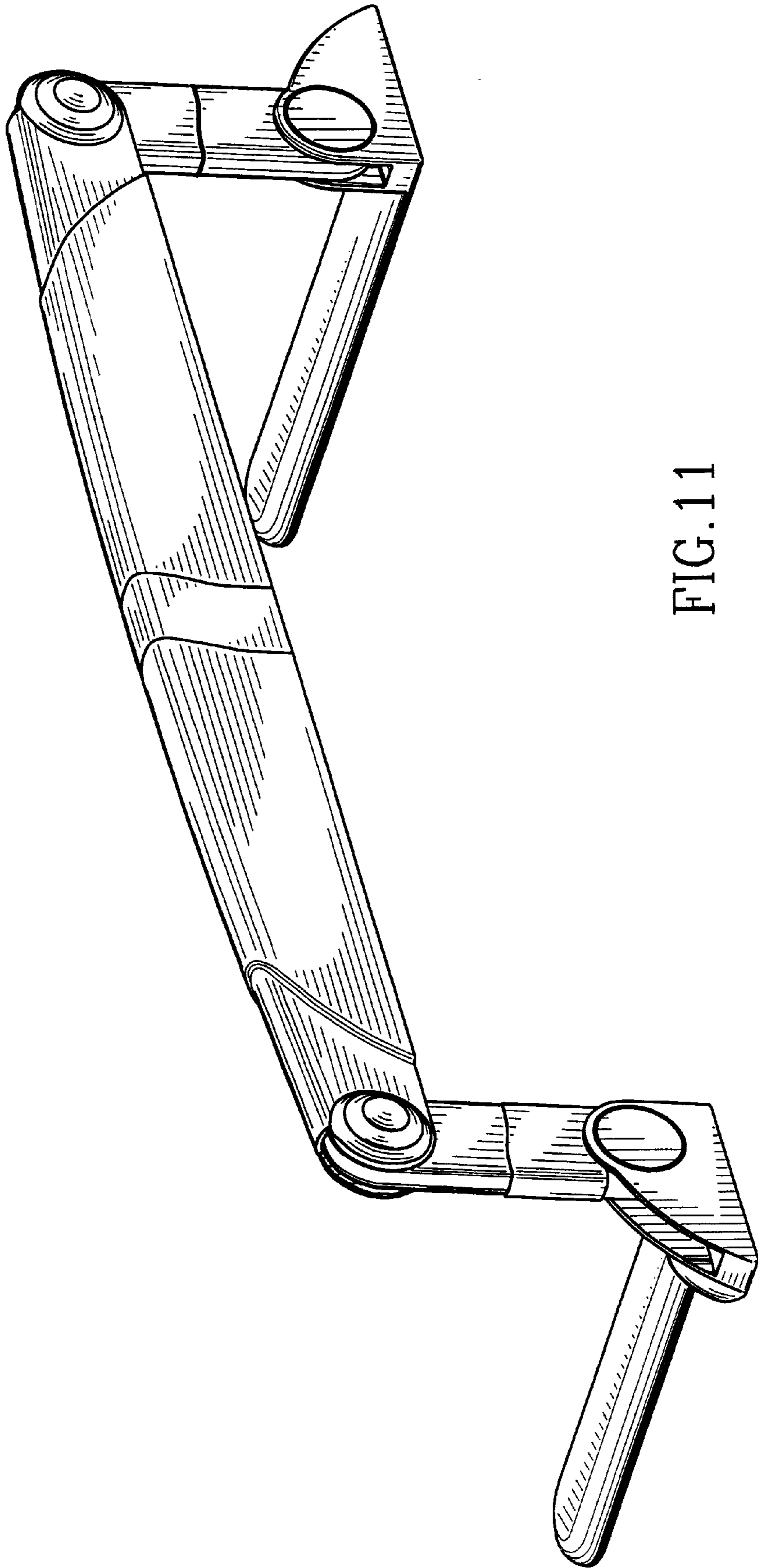


FIG. 11

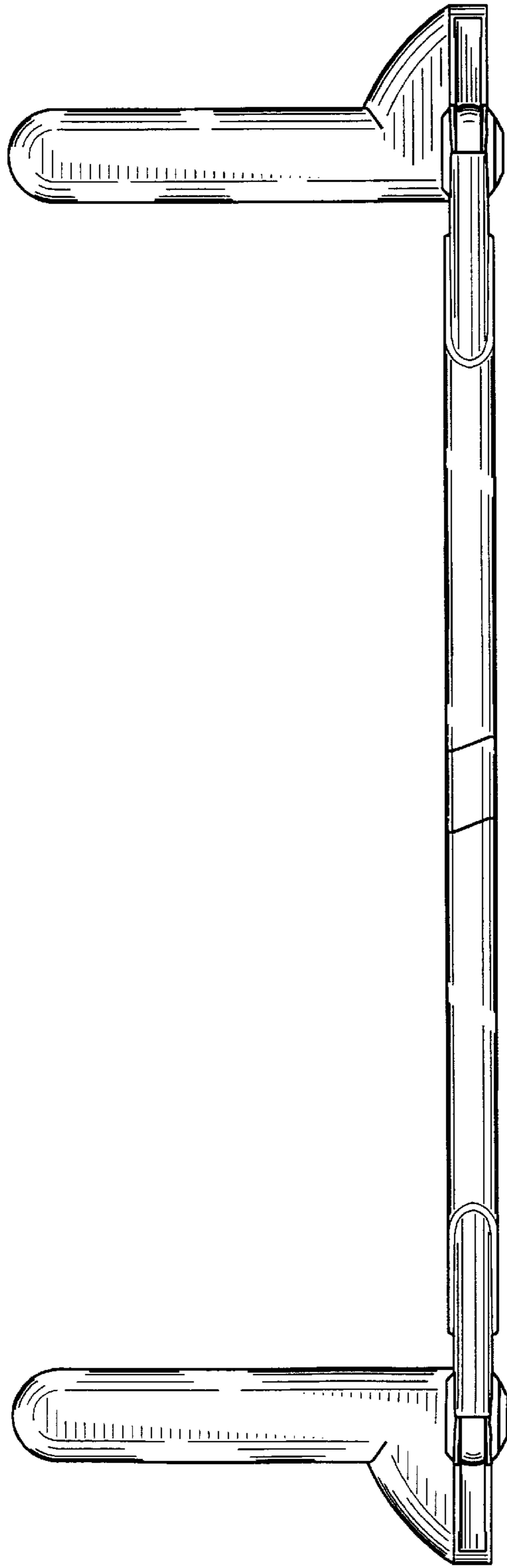


FIG. 12

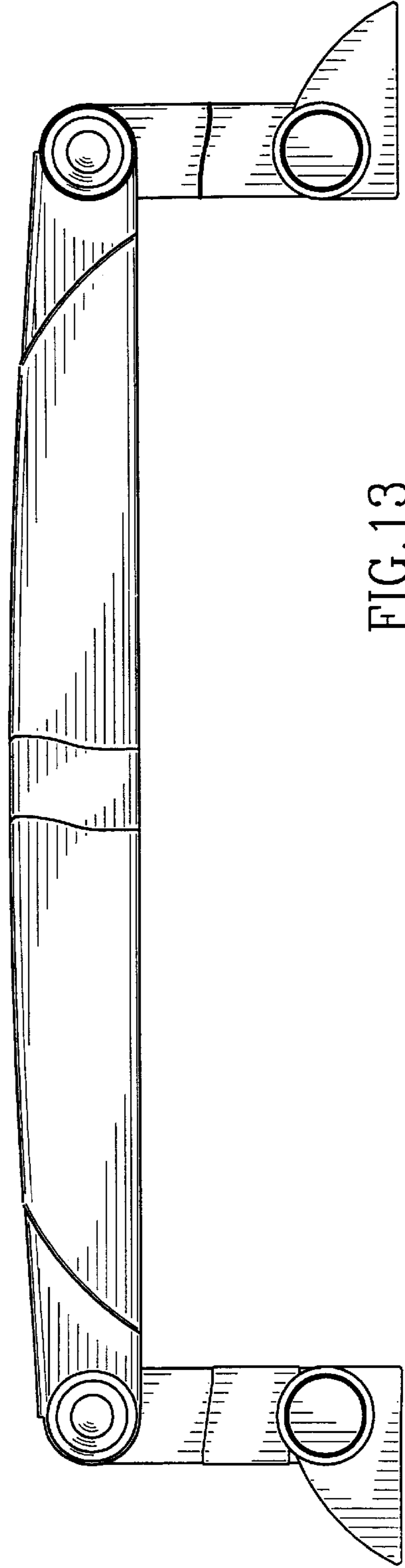


FIG. 13

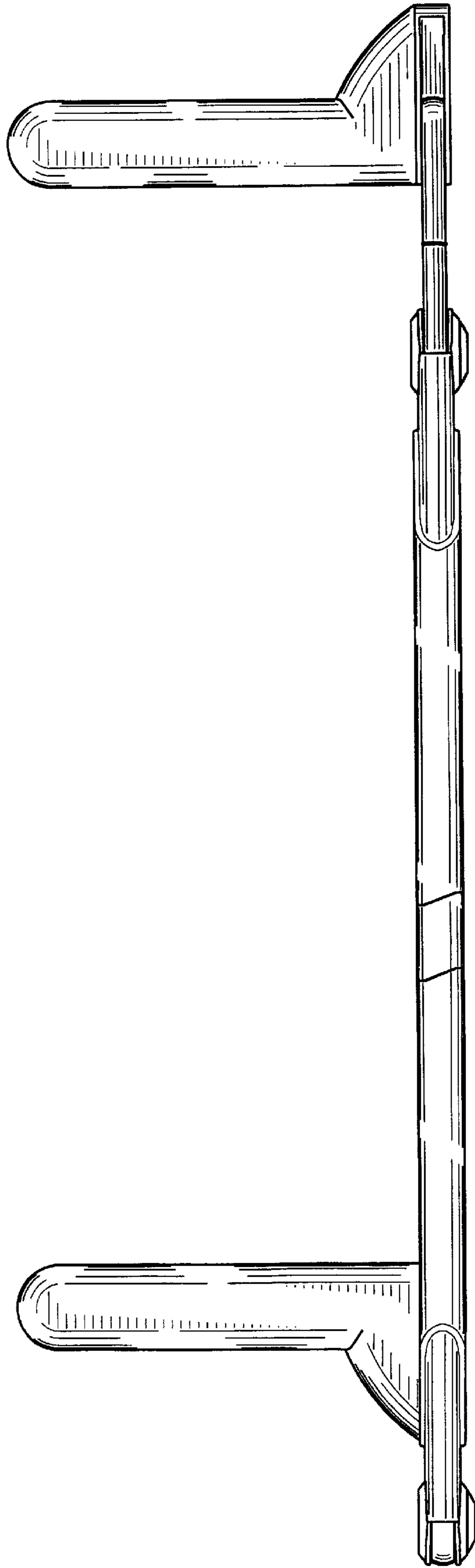


FIG. 14

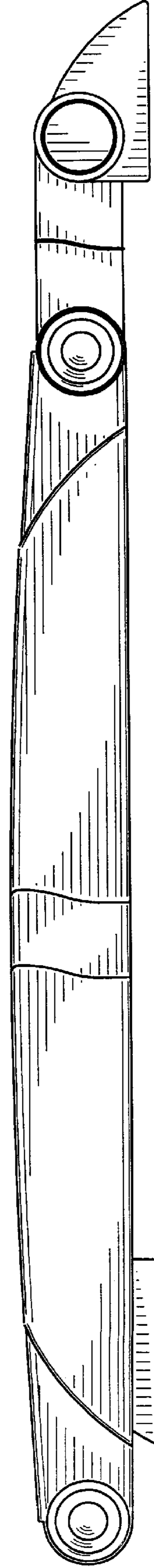


FIG. 15