



US00D413461S

United States Patent [19]
Kelly

[11] **Patent Number: Des. 413,461**
[45] **Date of Patent: ** Sep. 7, 1999**

[54] **TABLE**
[75] Inventor: **William Keith Kelly**, Troutman, N.C.
[73] Assignee: **Cherokee Products, Inc.**, Barium Springs, N.C.
[**] Term: **14 Years**
[21] Appl. No.: **29/059,907**
[22] Filed: **Sep. 17, 1996**

D. 376,711 12/1996 Harris D6/480

OTHER PUBLICATIONS

Myrtle Desk Co., 1985, Back Cover, Table at top, copy in design library.

Primary Examiner—Janice E. Seeger
Attorney, Agent, or Firm—Kennedy Covington Lobdell & Hickman, LLP

Related U.S. Application Data

[62] Division of application No. 29/033,294, Jan. 9, 1995, Pat. No. Des. 376,056.
[51] **LOC (6) Cl.** **06-03**
[52] **U.S. Cl.** **D6/484**
[58] **Field of Search** D6/480-489, 495, D6/496, 498, 429-431; 108/153, 156, 157, 161, 198

[57] **CLAIM**
The ornamental design for a table, as shown and described.

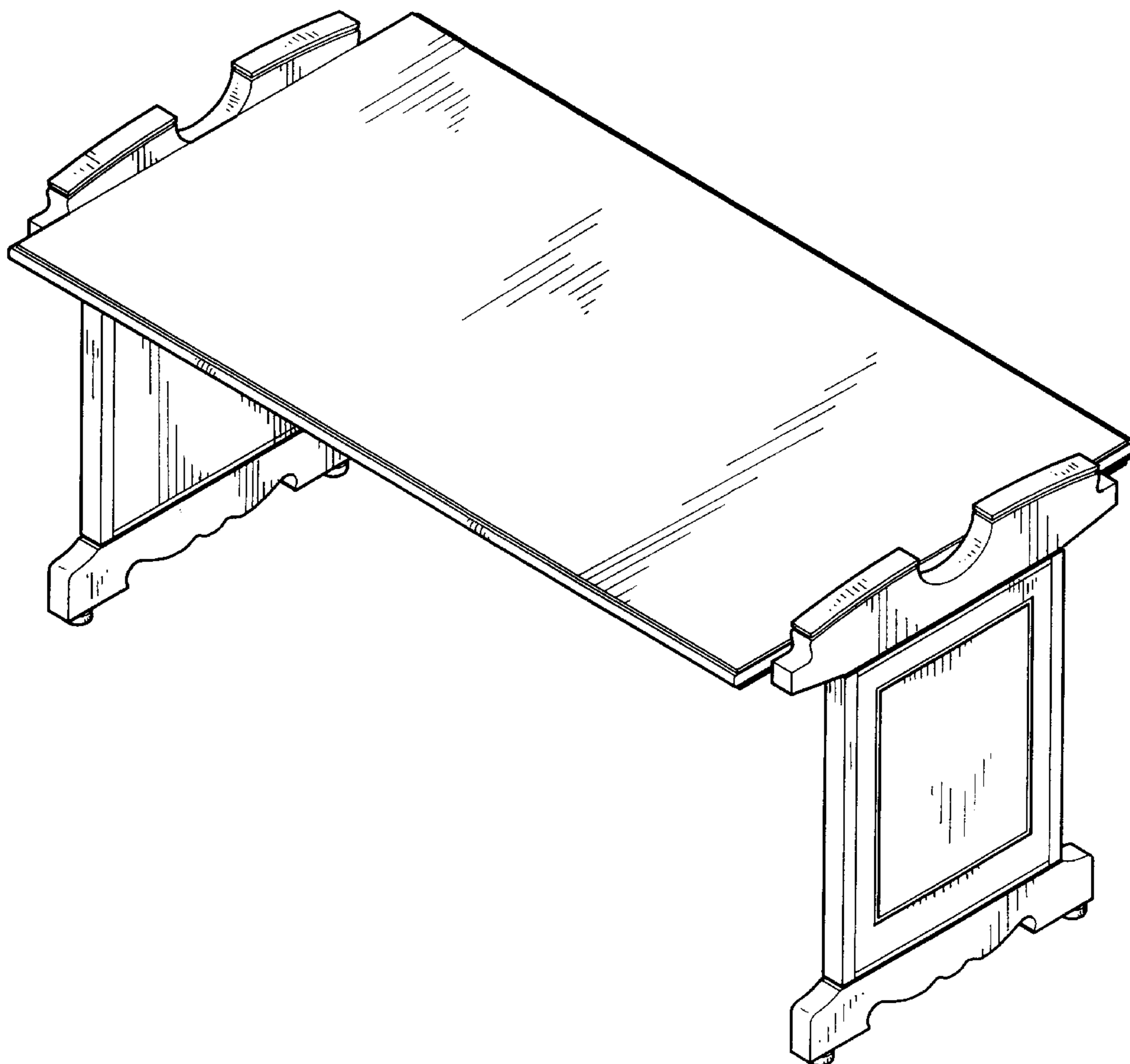
DESCRIPTION

FIG. 1 is a left side view of a table according to the first preferred embodiment of the present invention, the right side being identical thereto;
FIG. 2 is a front view of the table illustrated in FIG. 1, the back view being identical;
FIG. 3 is a left side view of the table illustrated in FIG. 1 according to a second preferred embodiment thereof, the right side being identical; and,
FIG. 4 is a top perspective view; the portion of the inside of the side extending above the top not shown is the same as that shown.

[56] **References Cited**
U.S. PATENT DOCUMENTS

D. 188,938 10/1960 Toning D6/483
D. 289,445 12/1986 Estreich D6/480

1 Claim, 3 Drawing Sheets



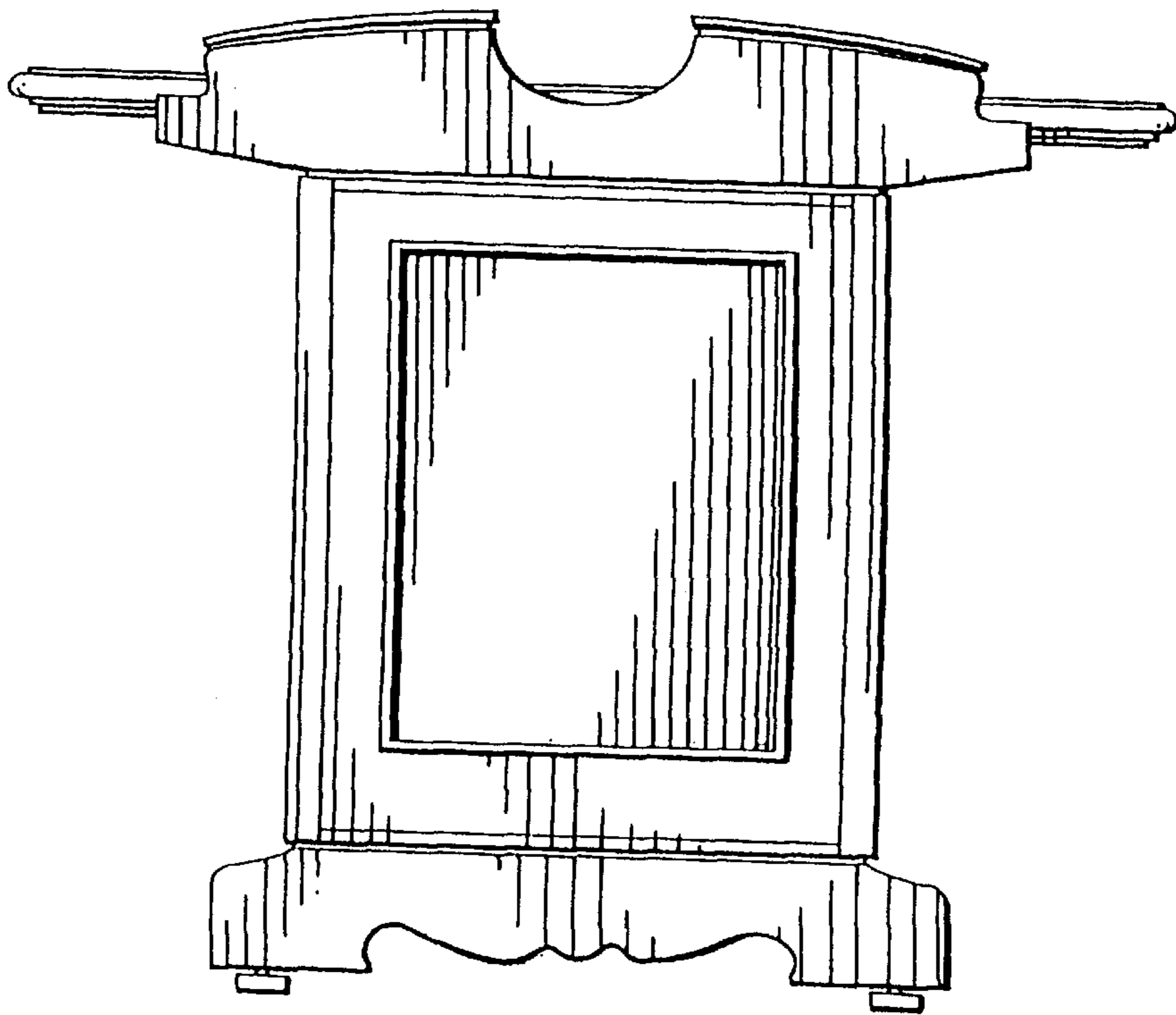


Fig. 1

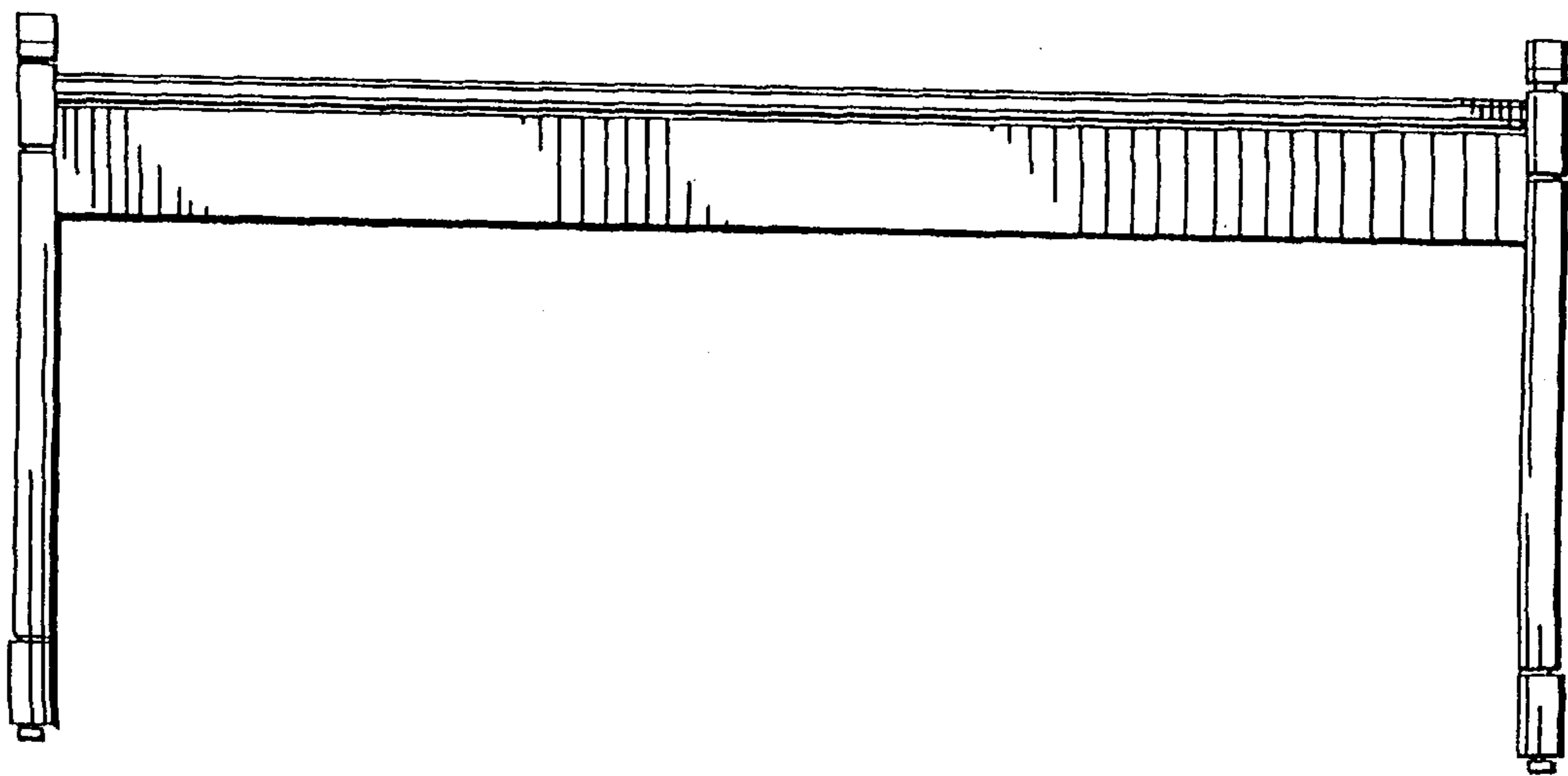


Fig. 2

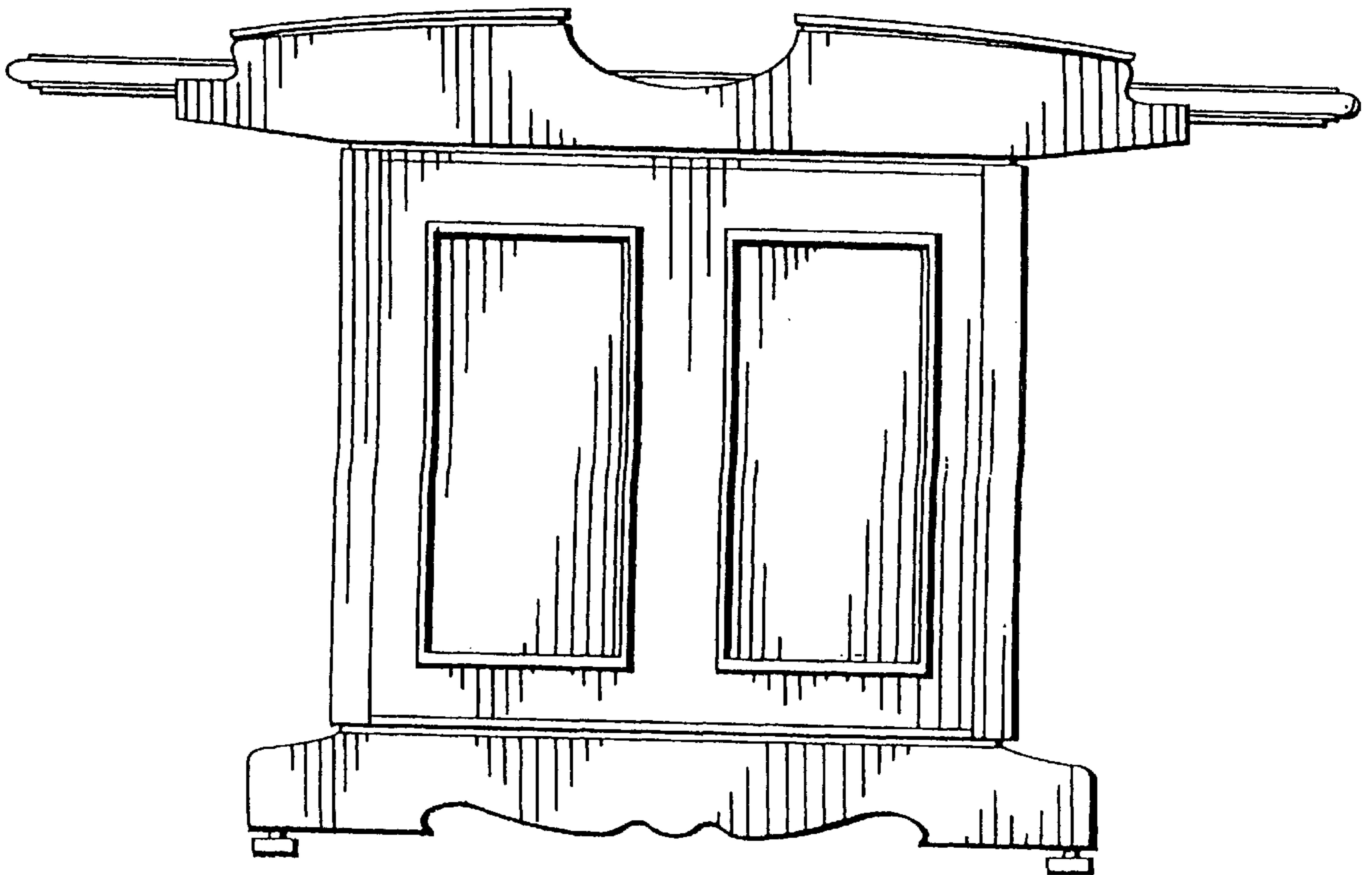


Fig. 3

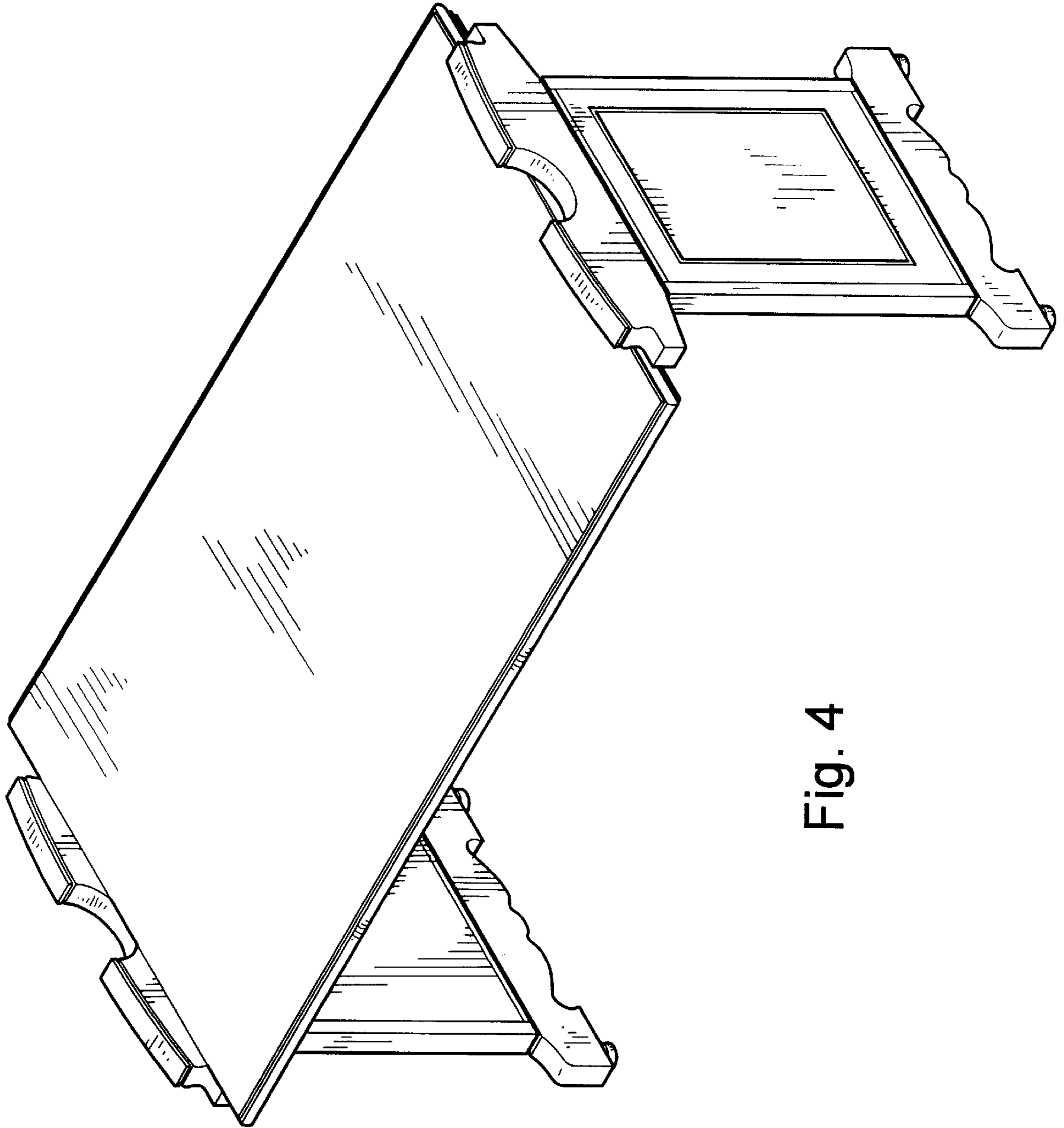


Fig. 4