



US00D413460S

United States Patent [19] Schroeder

[11] **Patent Number: Des. 413,460**

[45] **Date of Patent: ** Sep. 7, 1999**

[54] **TABLE**

[75] **Inventor: Richard Allen Schroeder, High Point, N.C.**

[73] **Assignee: Lexington Furniture Industries, Inc., Lexington, N.C.**

[**] **Term: 14 Years**

[21] **Appl. No.: 29/092,961**

[22] **Filed: Aug. 31, 1998**

[51] **LOC (6) Cl. 06-03**

[52] **U.S. Cl. D6/480; D6/436**

[58] **Field of Search D6/480-489, 495, D6/436; 108/153.1, 156, 15.1, 161; 248/188, 188.1, 188.8**

[56] **References Cited**

U.S. PATENT DOCUMENTS

D. 350,452 9/1994 Ward D6/480

D. 362,770 10/1995 Green D6/480
D. 374,136 10/1996 Walters, III et al. D6/436

OTHER PUBLICATIONS

Pennsylvania House, Jun. 1994, p. 127, Trestle table at top right.

Primary Examiner—Janice E. Seeger
Attorney, Agent, or Firm—Alston & Bird LLP

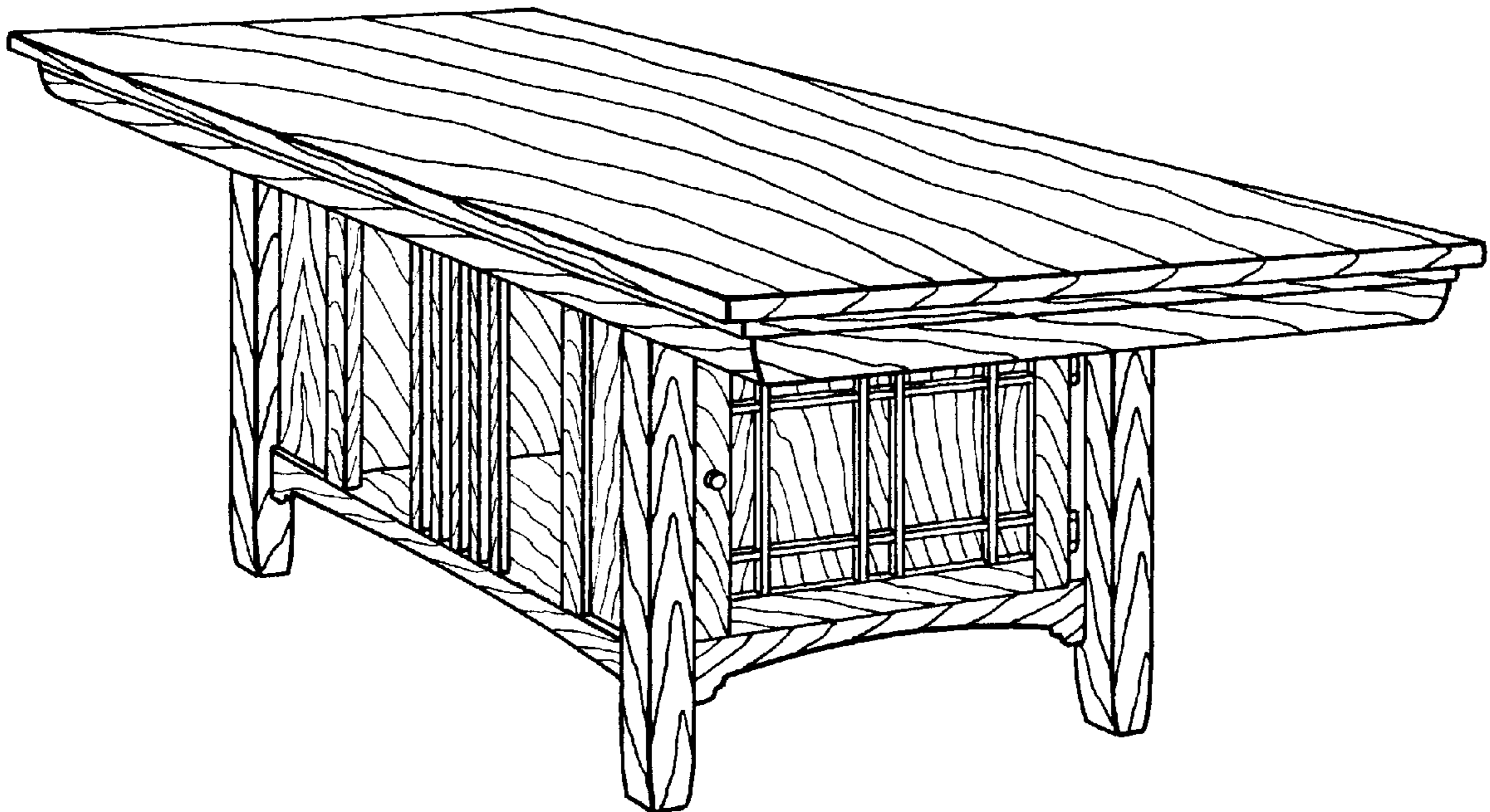
[57] **CLAIM**

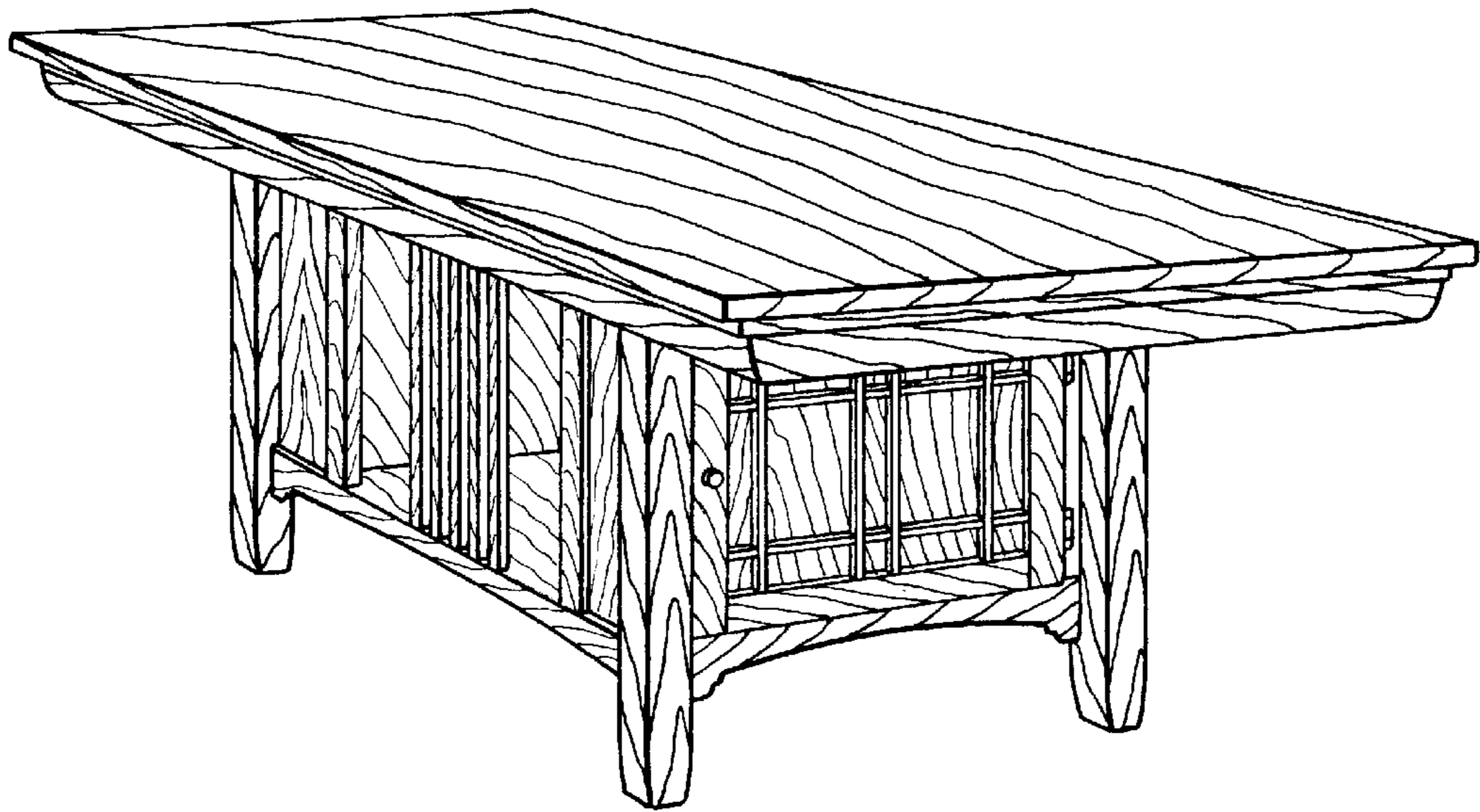
The ornamental design for a table, as shown and described.

DESCRIPTION

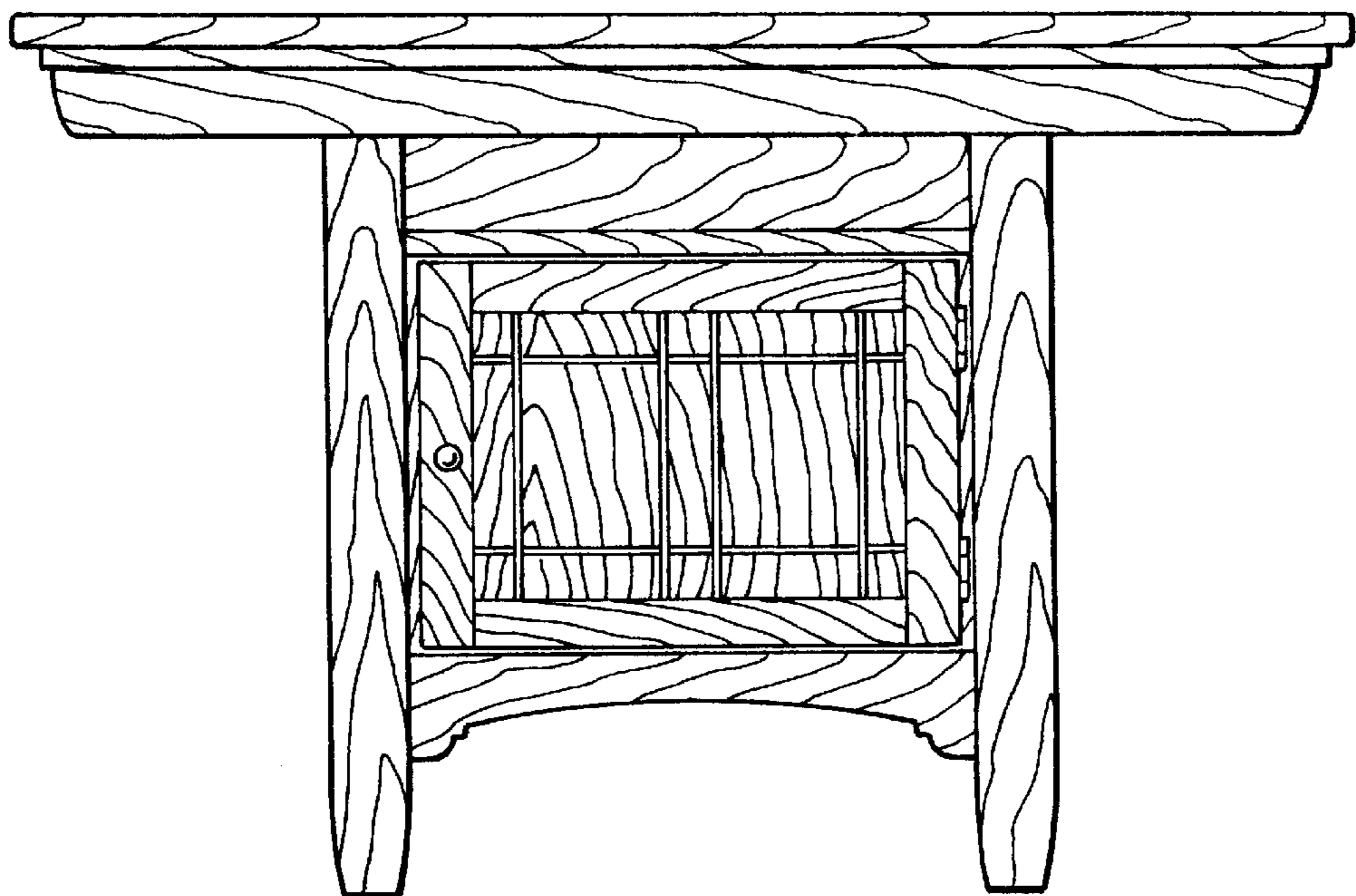
FIG. 1 is a perspective view of a table showing my new design;
FIG. 2 is an end elevational view of the end thereof opposite the end shown in FIG. 1; and,
FIG. 3 is a side elevational view of the side thereof opposite the side shown in FIG. 1.

1 Claim, 2 Drawing Sheets





— *FIG. 1.*



— *FIG. 2.*

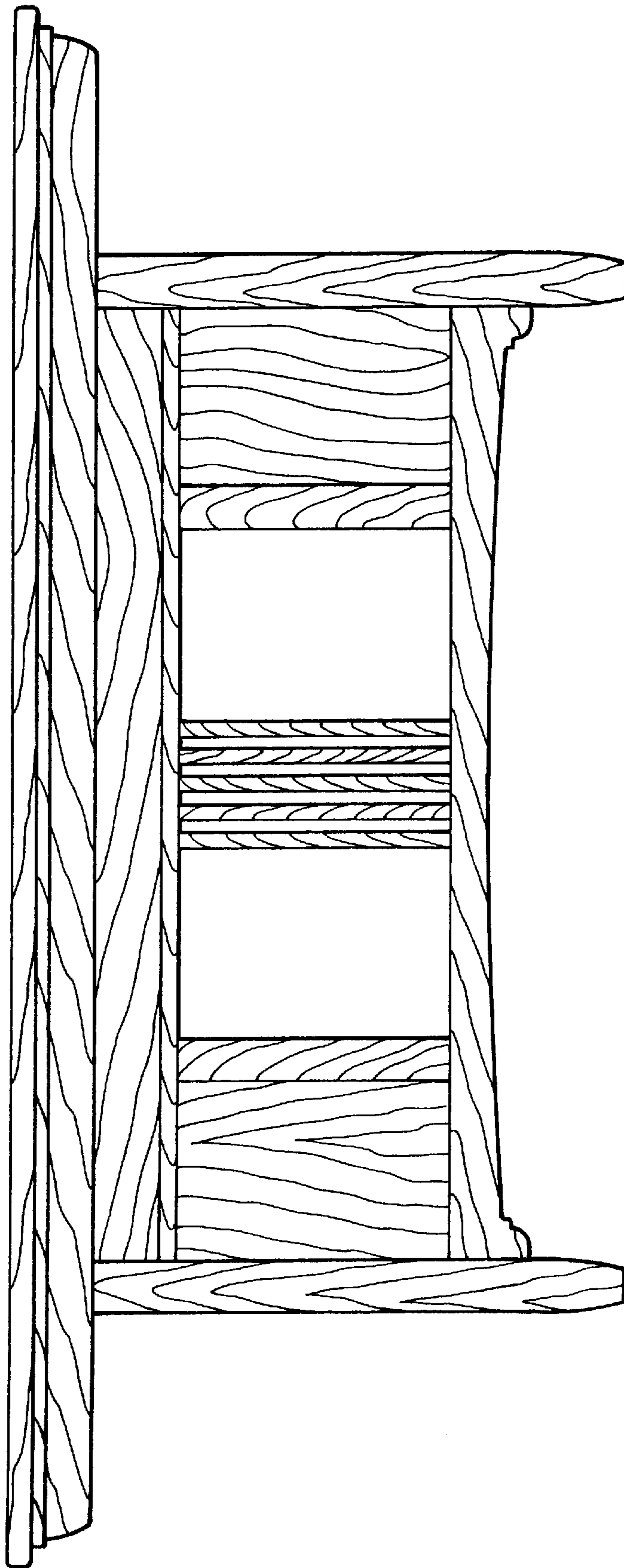


FIG. 3.