



US00D413459S

United States Patent [19]
Evdokimoff

[11] **Patent Number: Des. 413,459**

[45] **Date of Patent: ** Sep. 7, 1999**

[54] **ELLIPTICALLY CURVED GLASS FOOD MERCHANDISER**

[75] Inventor: **Alex J. Evdokimoff**, Canyon Lake, Calif.

[73] Assignee: **Hussmann Corporation**, Bridgeton, Mo.

[**] Term: **14 Years**

[21] Appl. No.: **29/093,427**

[22] Filed: **Sep. 10, 1998**

[51] **LOC (6) Cl.** **06-04**

[52] **U.S. Cl.** **D6/472**

[58] **Field of Search** D6/470-472, 432, D6/436, 441; 312/114, 116, 138.1; 62/246; D15/79, 81-83, 89

[56] **References Cited**

U.S. PATENT DOCUMENTS

- D. 115,495 7/1939 Hayes D6/471
- D. 142,773 11/1945 Davis D6/470

- D. 268,069 3/1983 Milstein D6/472
- D. 303,595 9/1989 Thompson D6/472
- D. 350,658 9/1994 Graat D6/471
- D. 351,298 10/1994 Gelinas D6/472

Primary Examiner—Doris V. Coles
Assistant Examiner—Linda Brooks
Attorney, Agent, or Firm—Richard G. Heywood

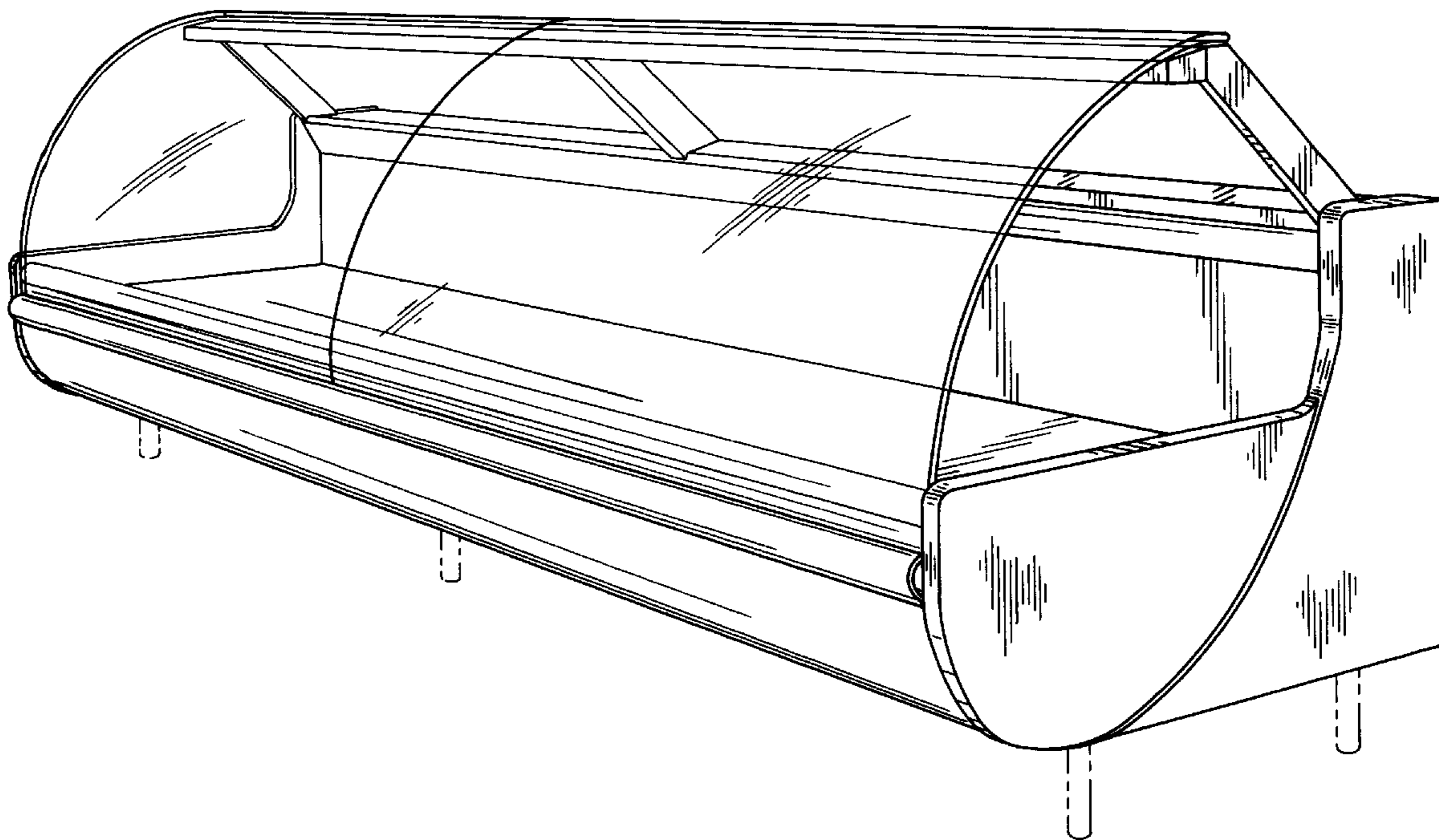
[57] **CLAIM**

The ornamental design for an elliptically curved glass food merchandiser, as shown and described.

DESCRIPTION

FIG. 1 is a perspective view of an elliptically curved glass food merchandiser showing my new design, the base legs being shown in broken lines for illustrative purposes only and forming no part of the claimed design; FIG. 2 is an end elevational view thereof, the other end being a mirror image of FIG. 2; FIG. 3 is a front elevational view thereof; FIG. 4 is a rear elevational view thereof; and, FIG. 5 is a plan view thereof.

1 Claim, 5 Drawing Sheets



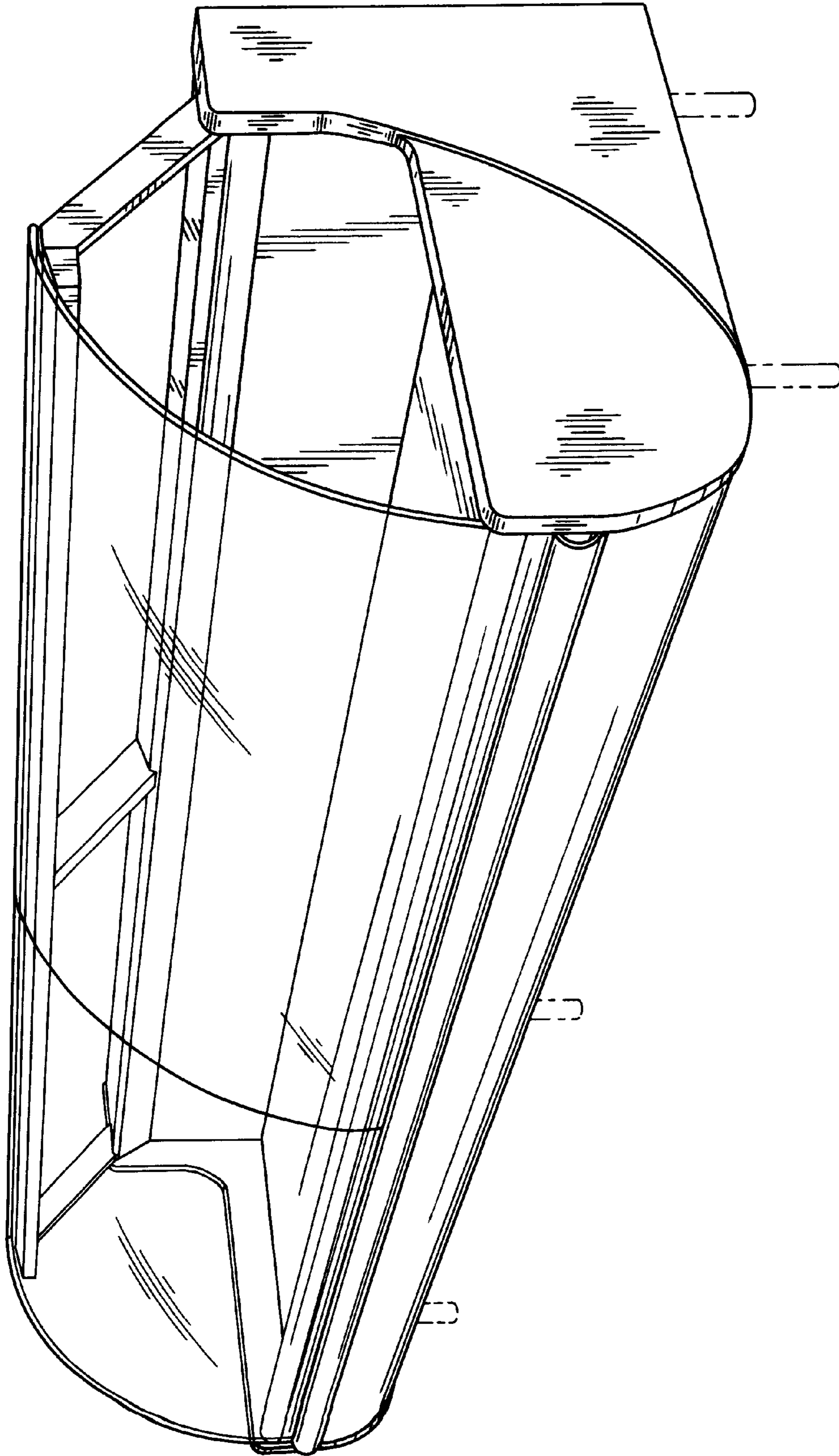


FIG. 1

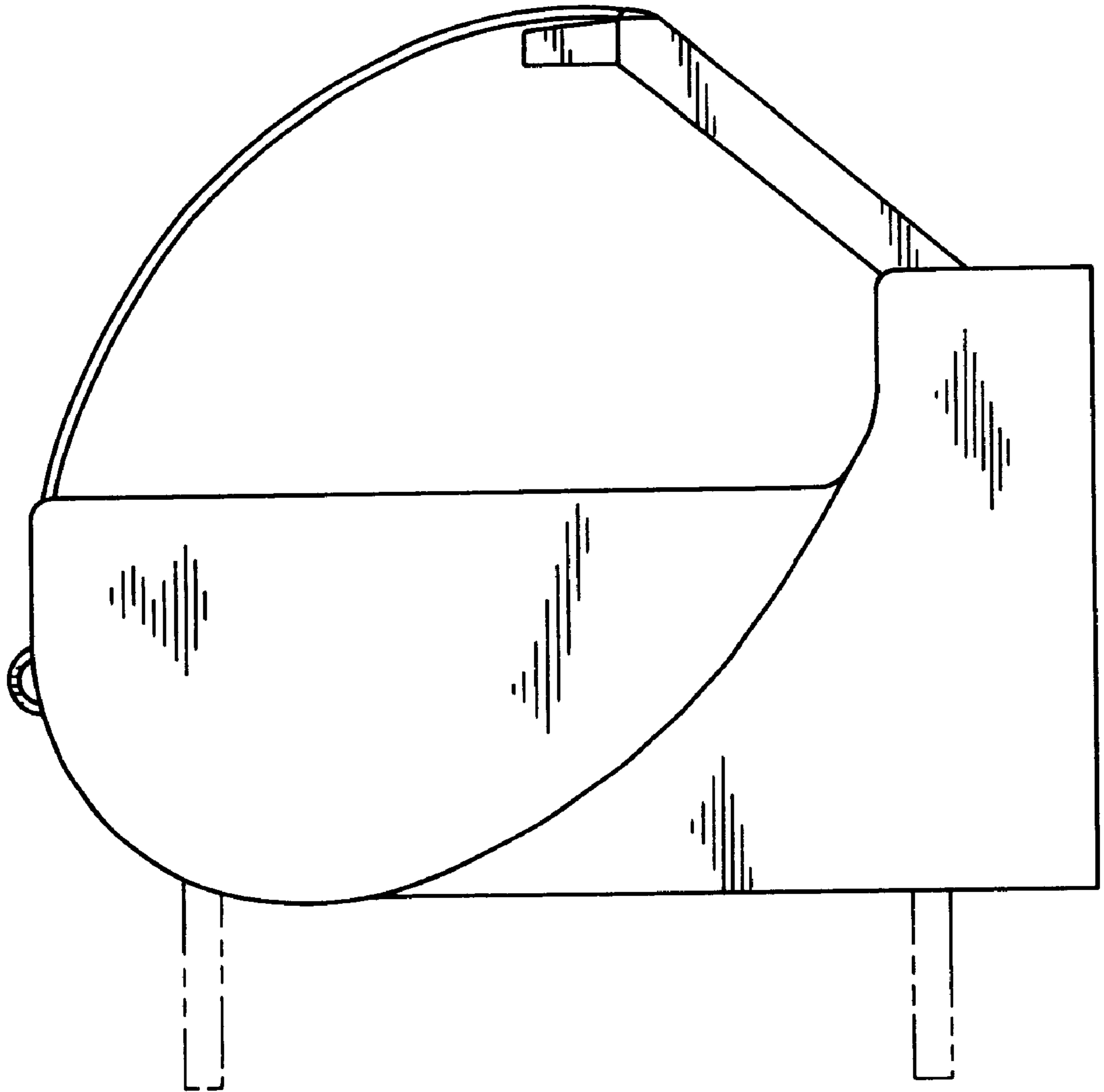


FIG. 2

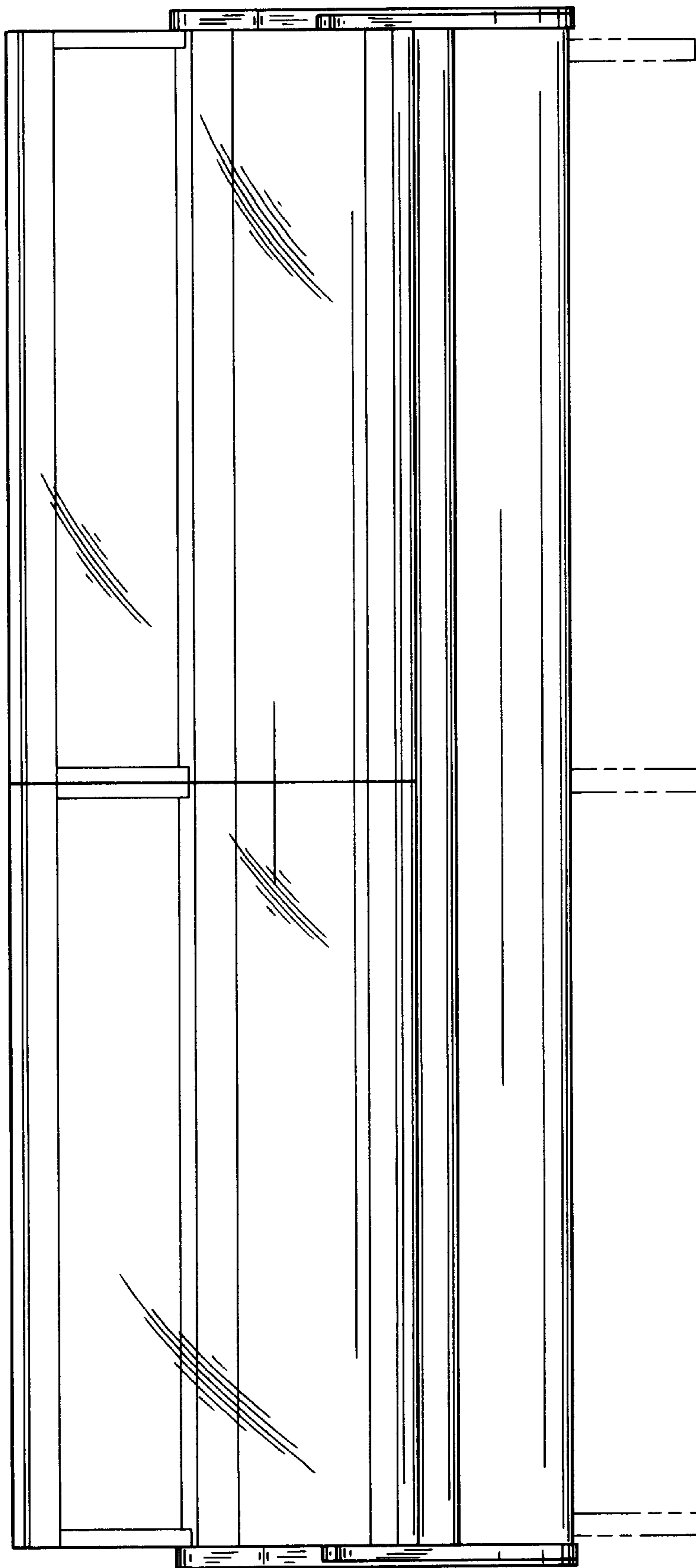


FIG. 3

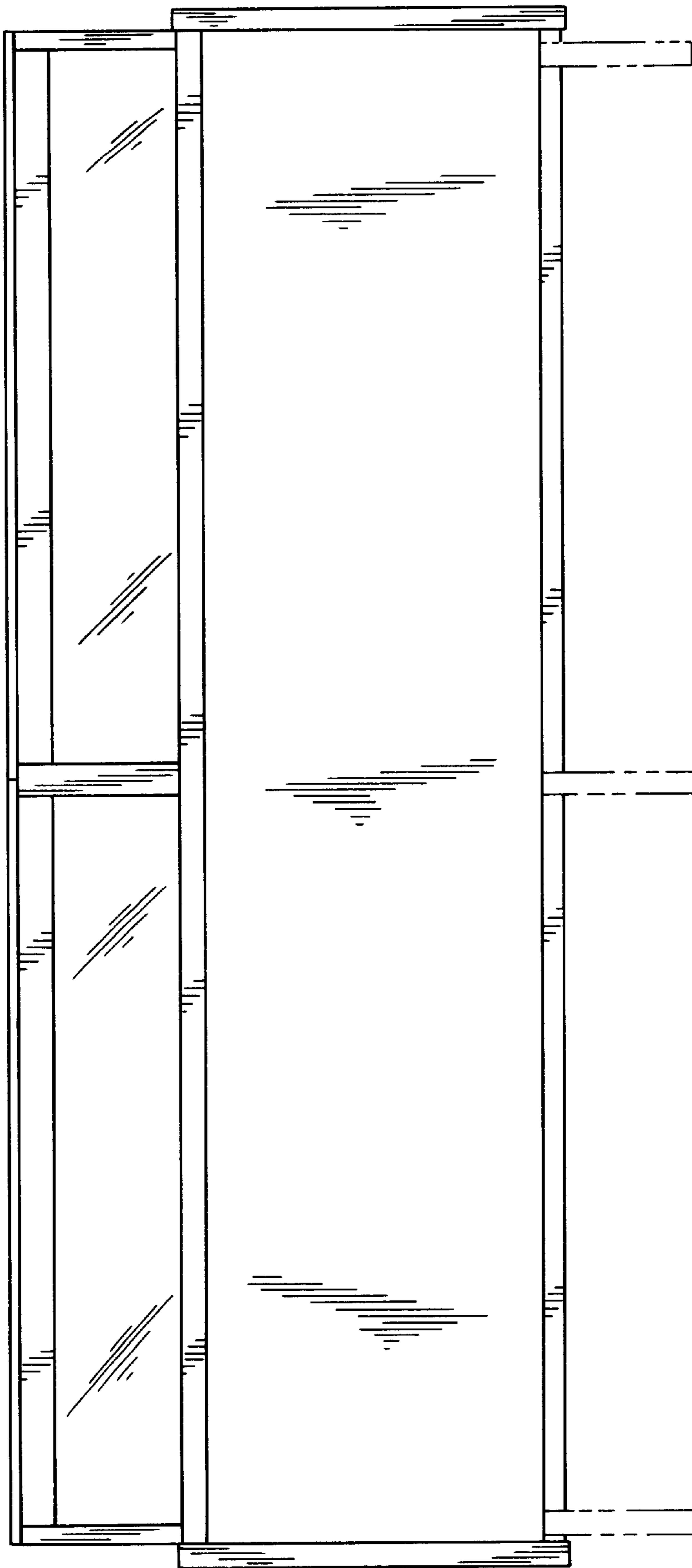


FIG. 4

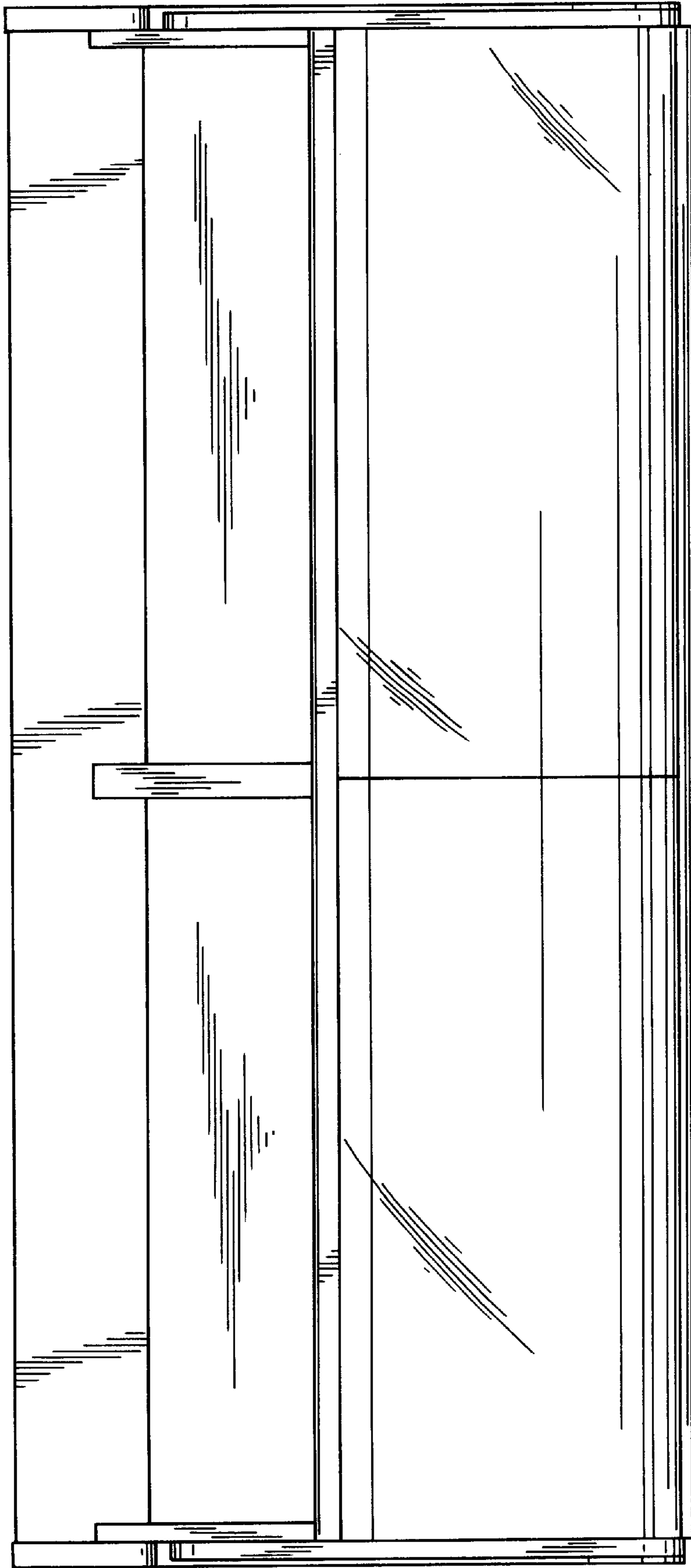


FIG. 5