



US00D413456S

# United States Patent [19]

[11] Patent Number: **Des. 413,456**

Huang et al.

[45] Date of Patent: **\*\* Sep. 7, 1999**

[54] **SHOES SUPPORT STAND**

D. 329,549 9/1992 Begley et al. .... D6/412

[76] Inventors: **Tso Chi Huang; Yu Chi Huang**, both of No. 47, Her Pin Lane, Lu Gang Town, Chang Hua Hsien, Taiwan

*Primary Examiner*—Doris V. Coles  
*Assistant Examiner*—Linda Brooks

[\*\*] Term: **14 Years**

[57] **CLAIM**

The ornamental design for a shoes support stand, as shown and described.

[21] Appl. No.: **29/092,960**

### DESCRIPTION

[22] Filed: **Aug. 31, 1998**

[51] **LOC (6) Cl.** ..... **06-04**

[52] **U.S. Cl.** ..... **D6/412**

[58] **Field of Search** ..... D6/411, 412, 450, D6/455, 457-465; 211/1, 13.1, 85.3, 34, 37, 181.1; 248/127, 146, 153, 175, 176.1

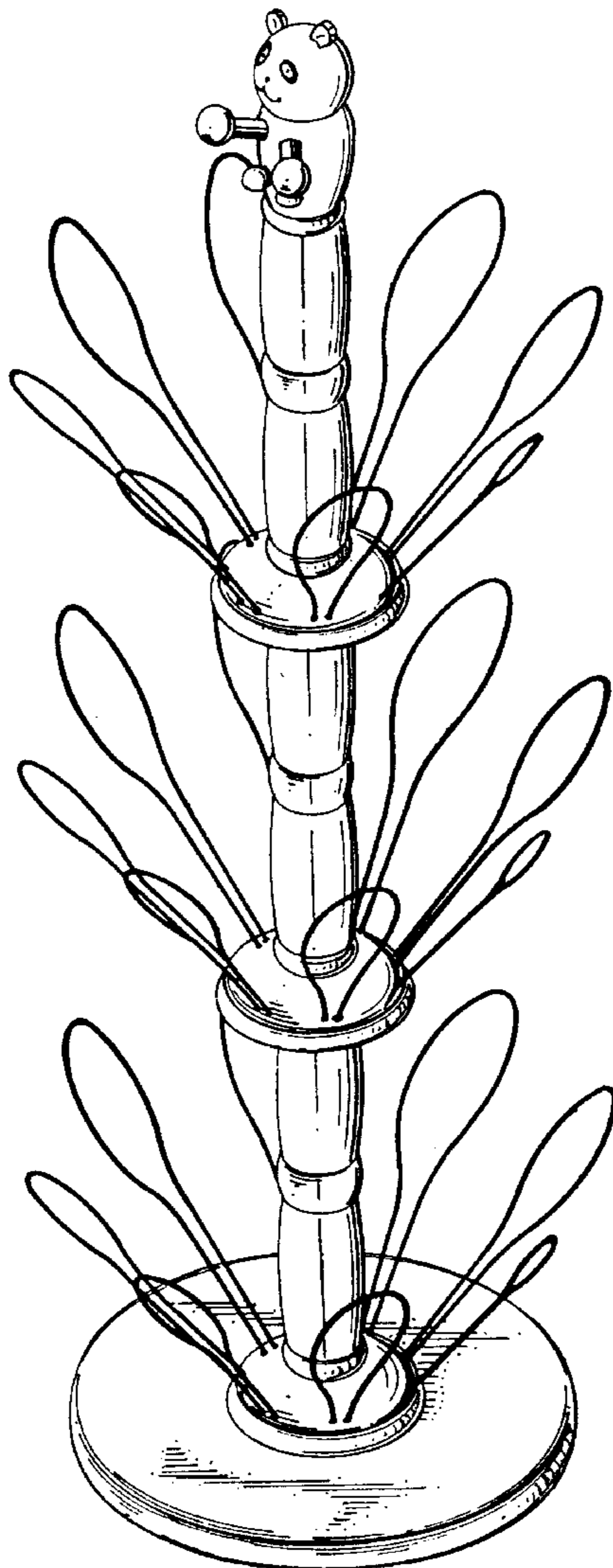
FIG. 1 is a perspective view of a shoes support a stand showing my new design;  
FIG. 2 is a front elevational view thereof;  
FIG. 3 is a rear elevational view thereof;  
FIG. 4 is a top plan view thereof;  
FIG. 5 is a bottom plan view thereof, with features shown in broken lines for illustrative purposes only and forming no part of the claimed design;  
FIG. 6 is a left side elevational view thereof; and,  
FIG. 7 is a right side elevational view thereof.

### [56] **References Cited**

#### U.S. PATENT DOCUMENTS

- D. 151,220 10/1948 Crain ..... D6/412
- D. 276,765 12/1984 Denhoff ..... D6/458

**1 Claim, 4 Drawing Sheets**



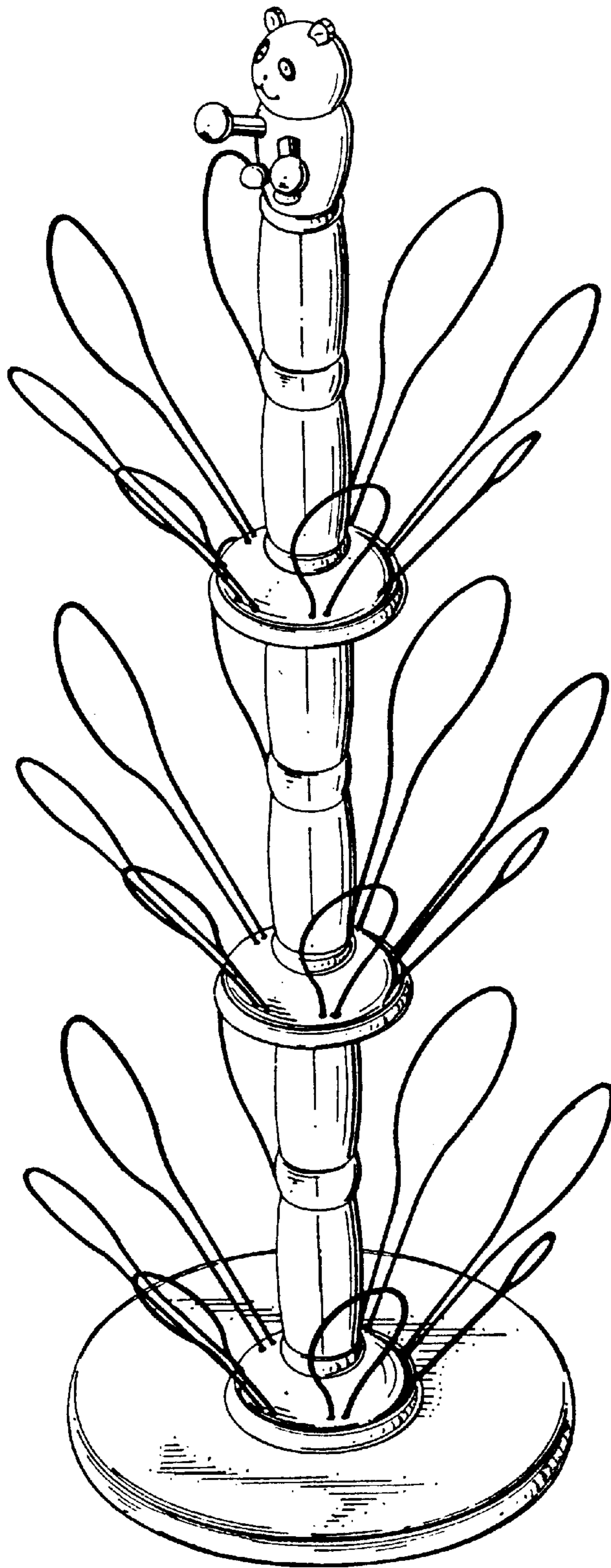


FIG. 1

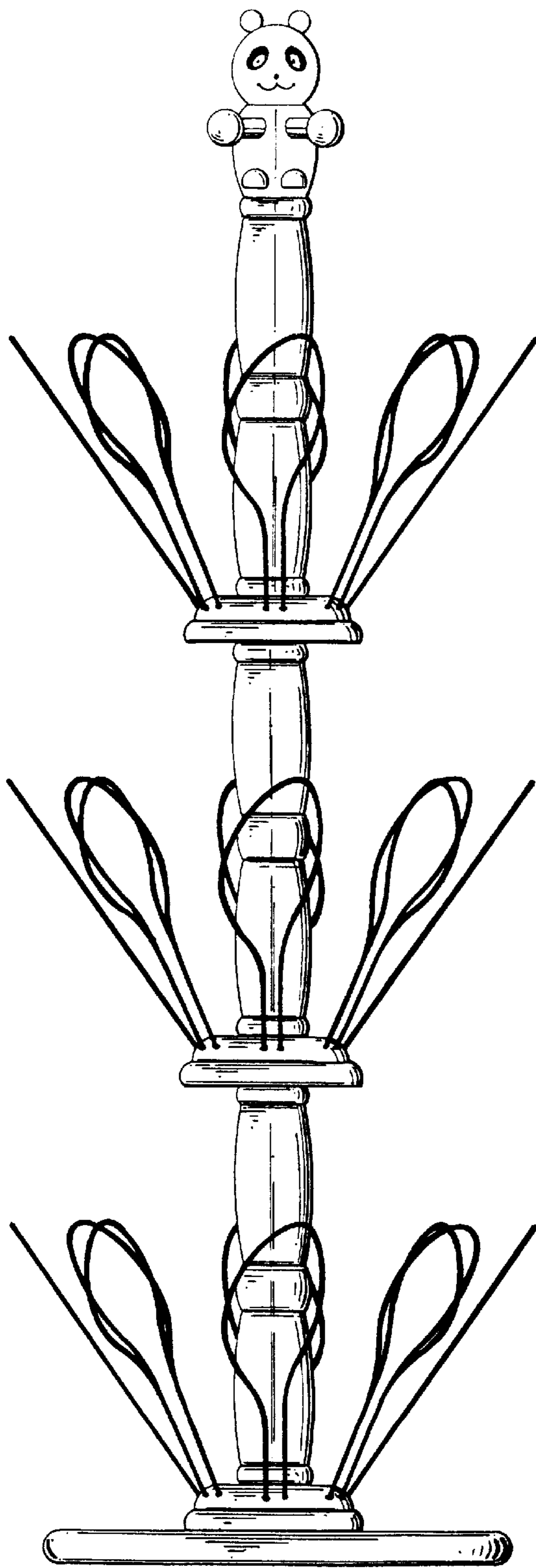


FIG. 2

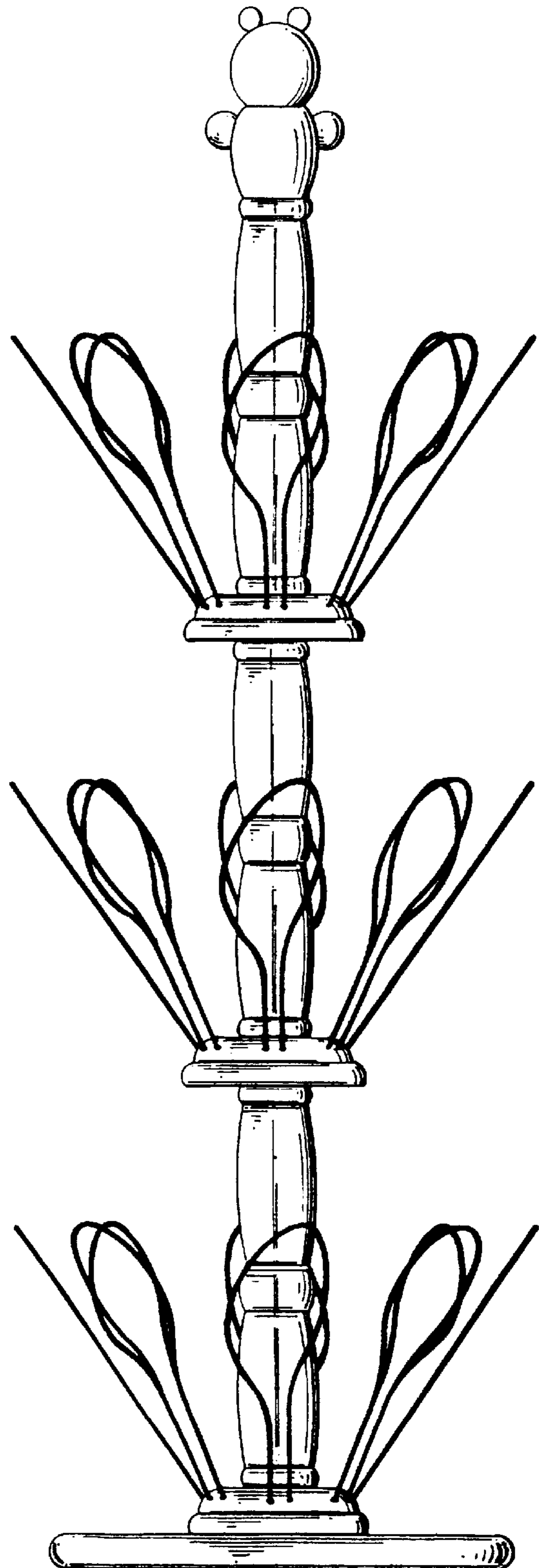


FIG. 3

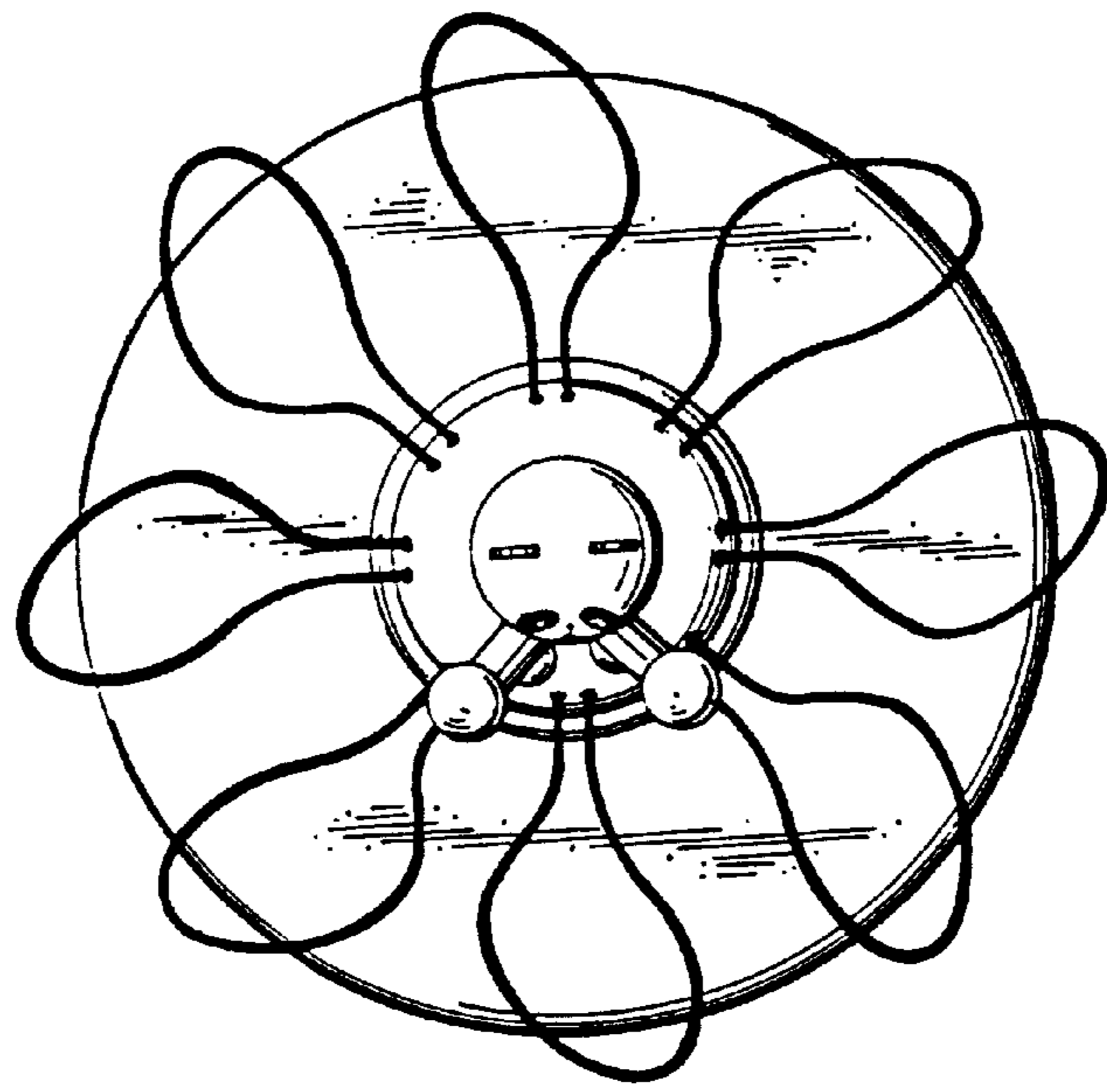


FIG. 4

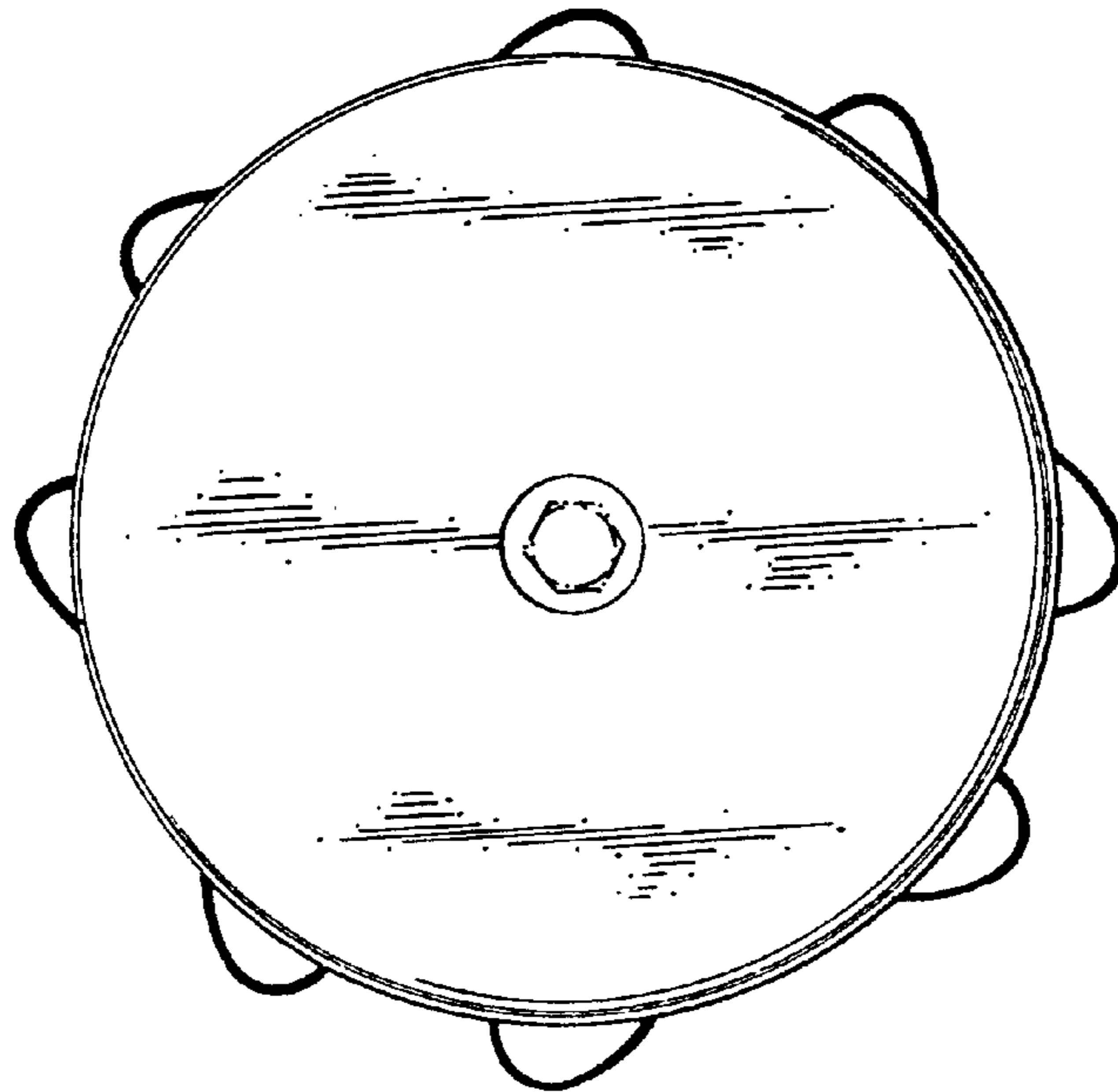


FIG. 5

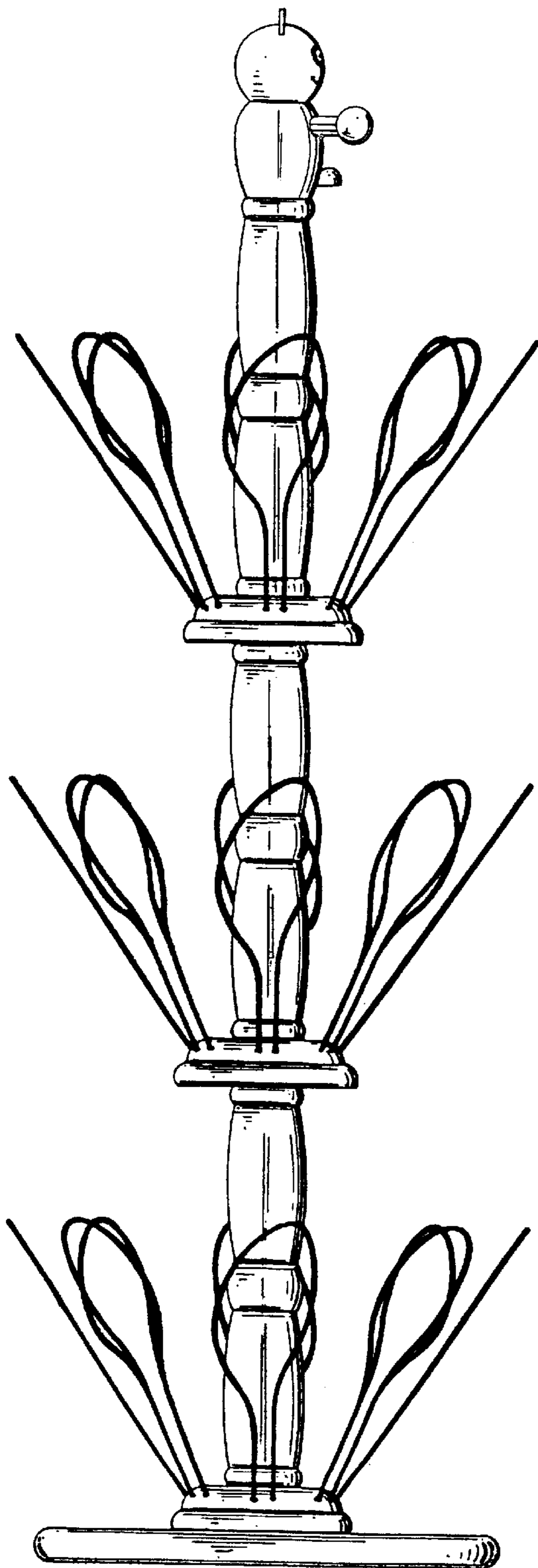


FIG. 6

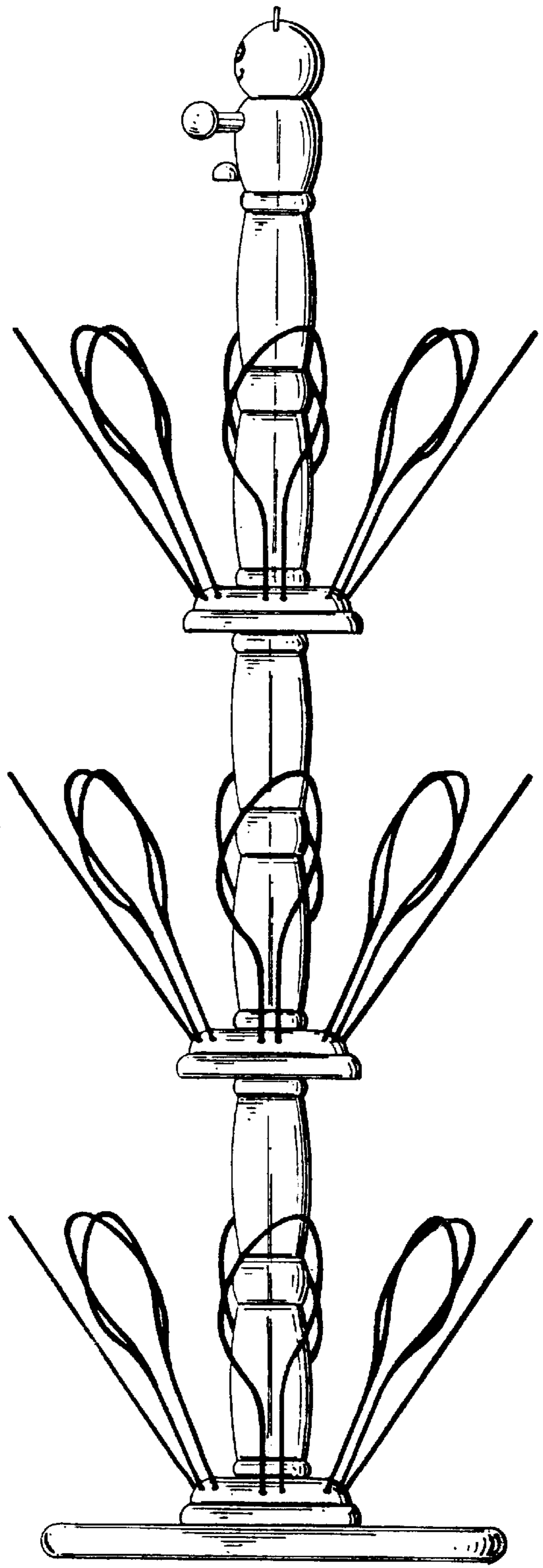


FIG. 7