



US00D413452S

United States Patent [19] Rhienen

[11] **Patent Number: Des. 413,452**

[45] **Date of Patent: ** Sep. 7, 1999**

[54] **CHAIR WITH STRAIGHT SLATS ON BACK**

[75] Inventor: **Alphons Van Rhienen**, Schoten, Belgium

[73] Assignee: **Euro United Corporation**, Oakville, Canada

[**] Term: **14 Years**

[21] Appl. No.: **29/097,097**

[22] Filed: **Nov. 27, 1998**

[30] **Foreign Application Priority Data**

Oct. 26, 1998 [CA] Canada 1998-2621

[51] **LOC (6) Cl.** **06-01**

[52] **U.S. Cl.** **D6/370**

[58] **Field of Search** D6/334, 370, 374, D6/375, 379, 500, 501, 502; 297/446.1, 452.63, DIG. 2

[56] **References Cited**

U.S. PATENT DOCUMENTS

D. 109,239	4/1938	Wolpin	D6/370
D. 334,299	3/1993	Embree	D6/379
D. 384,511	10/1997	Gresens	D6/370
D. 407,228	3/1999	Walters	D6/370

OTHER PUBLICATIONS

Best Catalog, p. 38, chair in frame 14 at bottom left, Spring 1993.

Primary Examiner—Gary D. Watson
Attorney, Agent, or Firm—Barrigar & Moss

[57] **CLAIM**

The ornamental design for a chair with straight slats on back, as shown and described.

DESCRIPTION

FIG. 1 is a perspective view showing my new design, and taken from above and showing the right side of the chair, and said view also showing a cover portion on the right arm of the design in a closed position;

FIG. 2 is a left side view, the right side being a mirror image thereof;

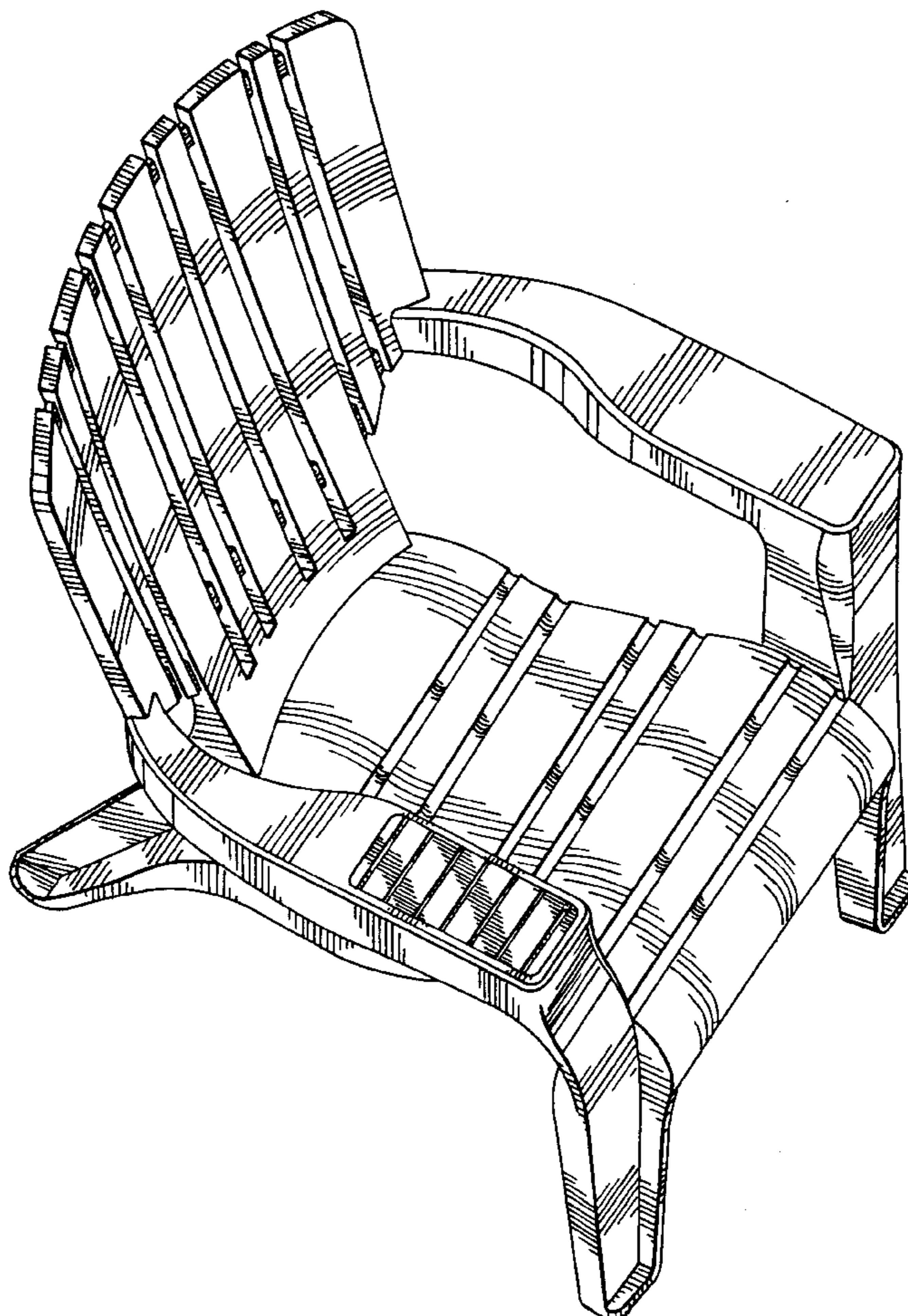
FIG. 3 is a front view thereof;

FIG. 4 is a top view thereof;

FIG. 5 is a rear view thereof; and,

FIG. 6 is another perspective view thereof, and taken from above and showing the right side thereof, and said view also showing a cover position on the right arm of the chair in an open position.

1 Claim, 4 Drawing Sheets



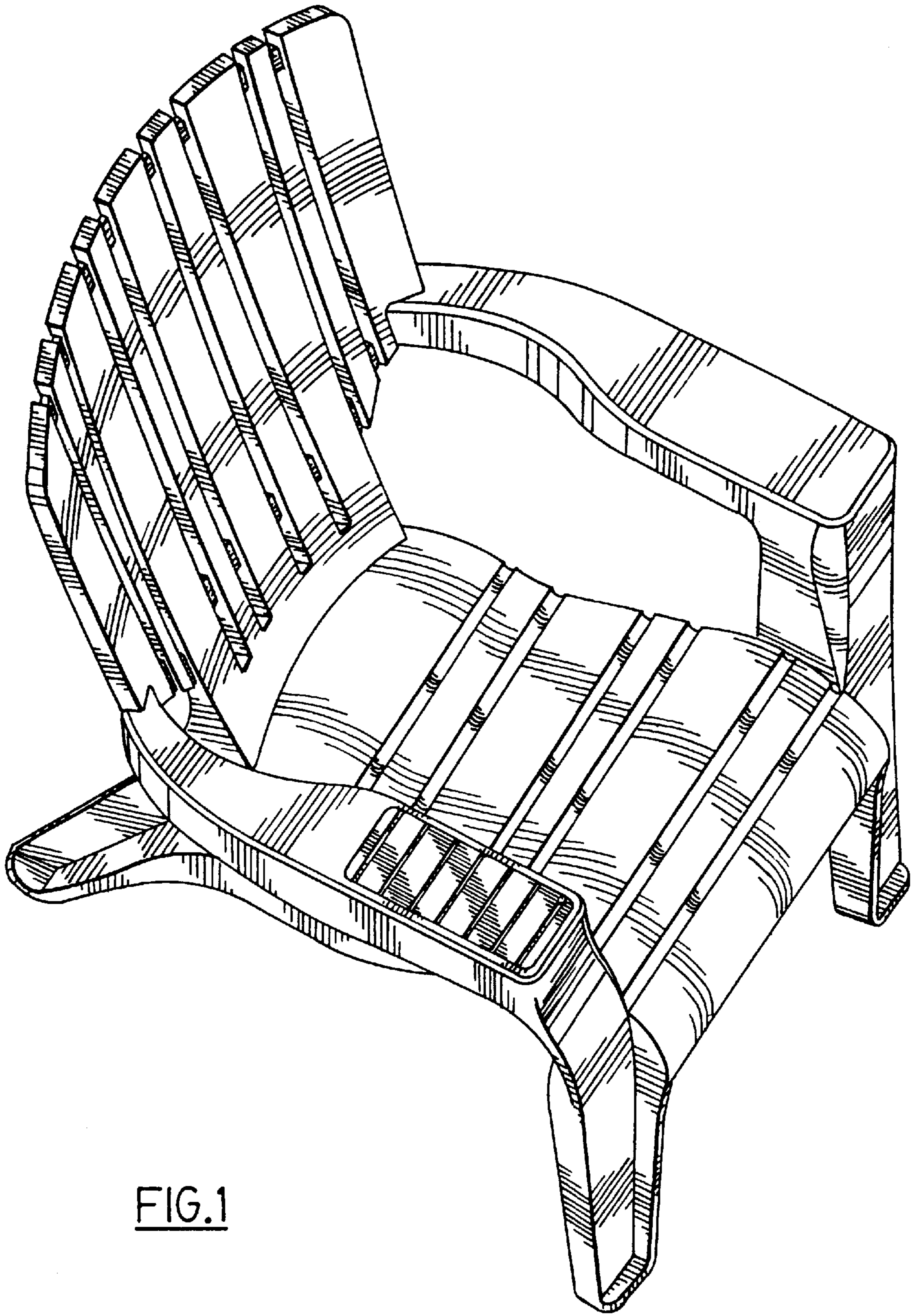


FIG. 1

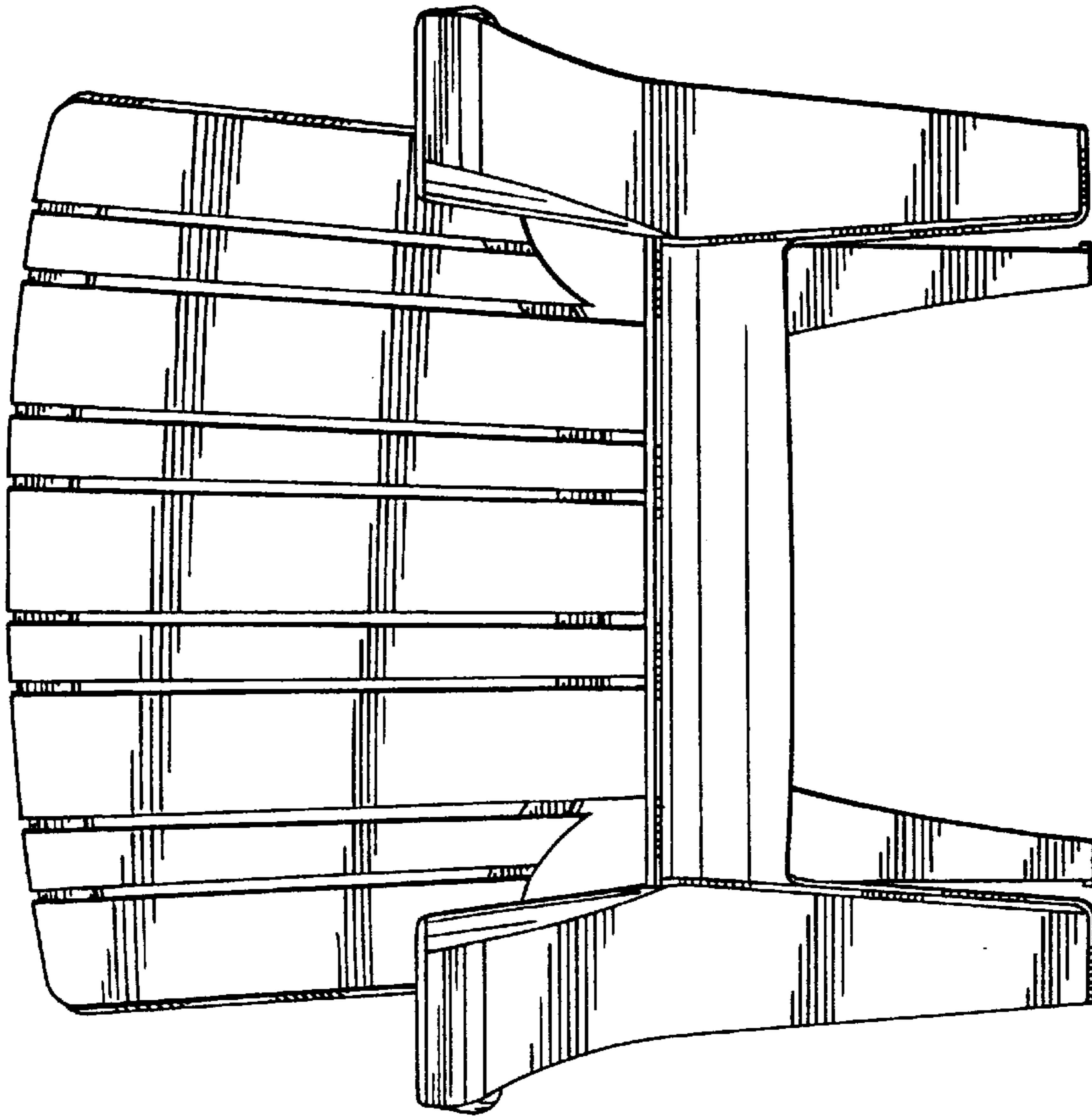


FIG. 3

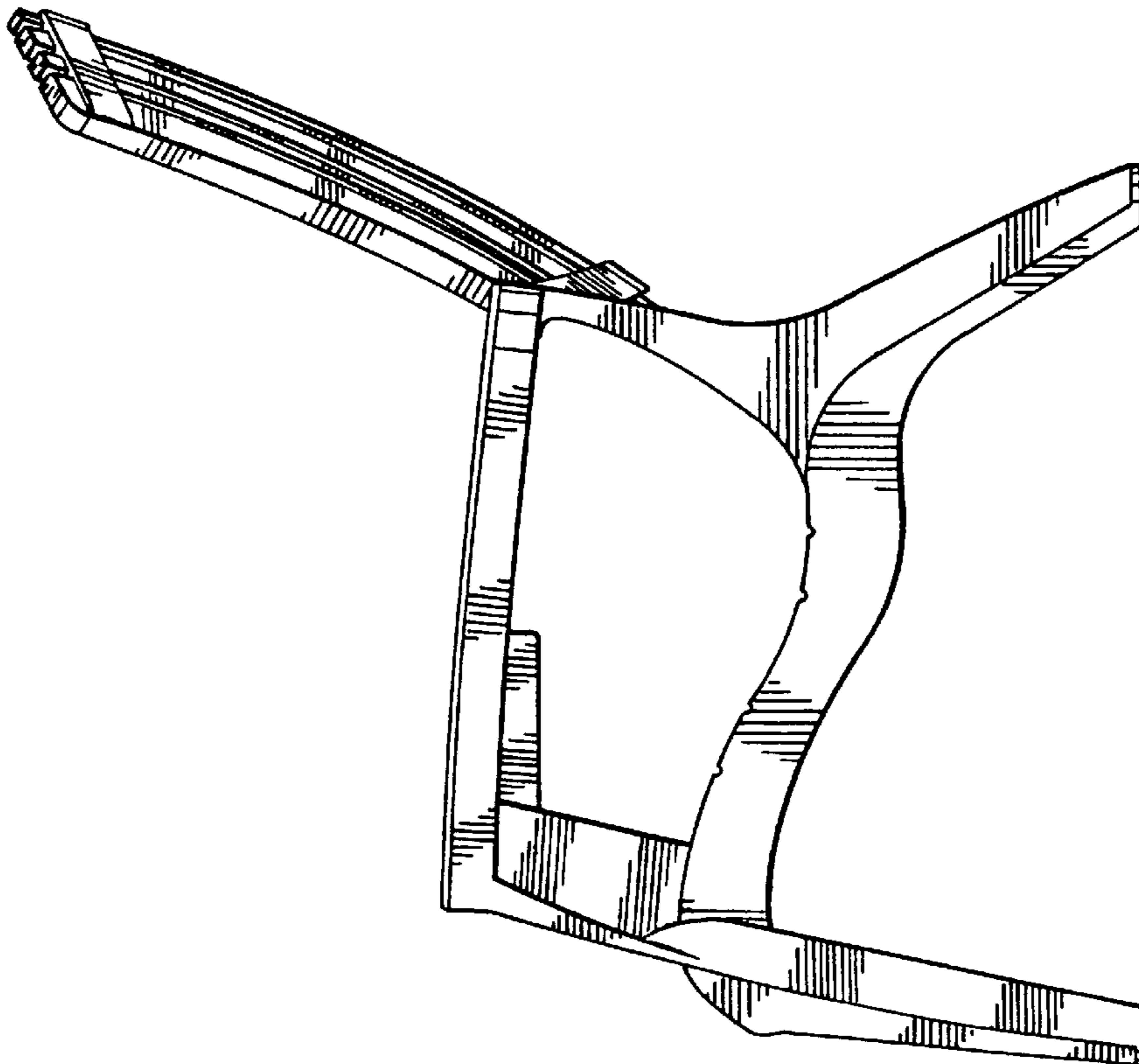


FIG. 2

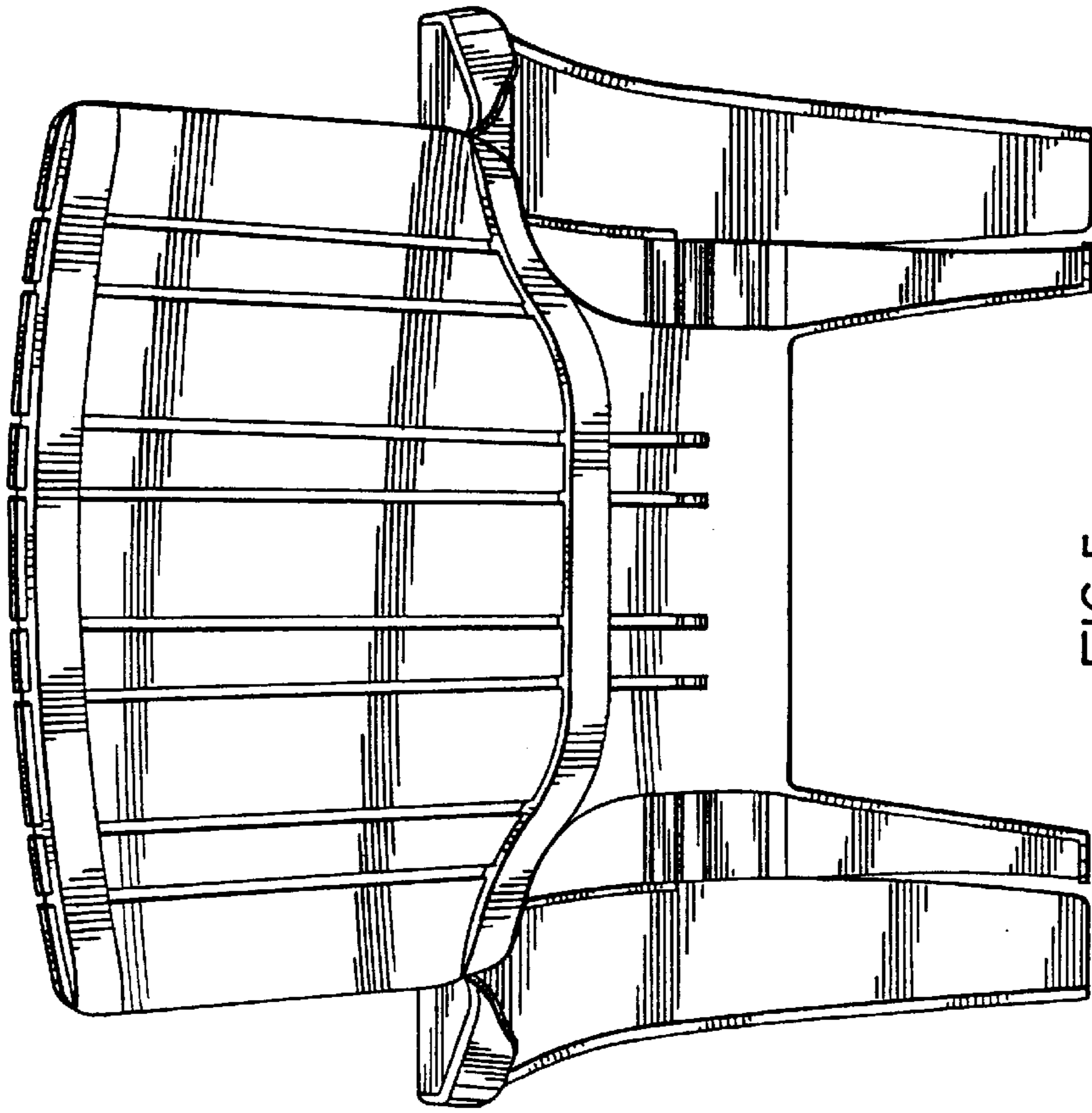


FIG. 5

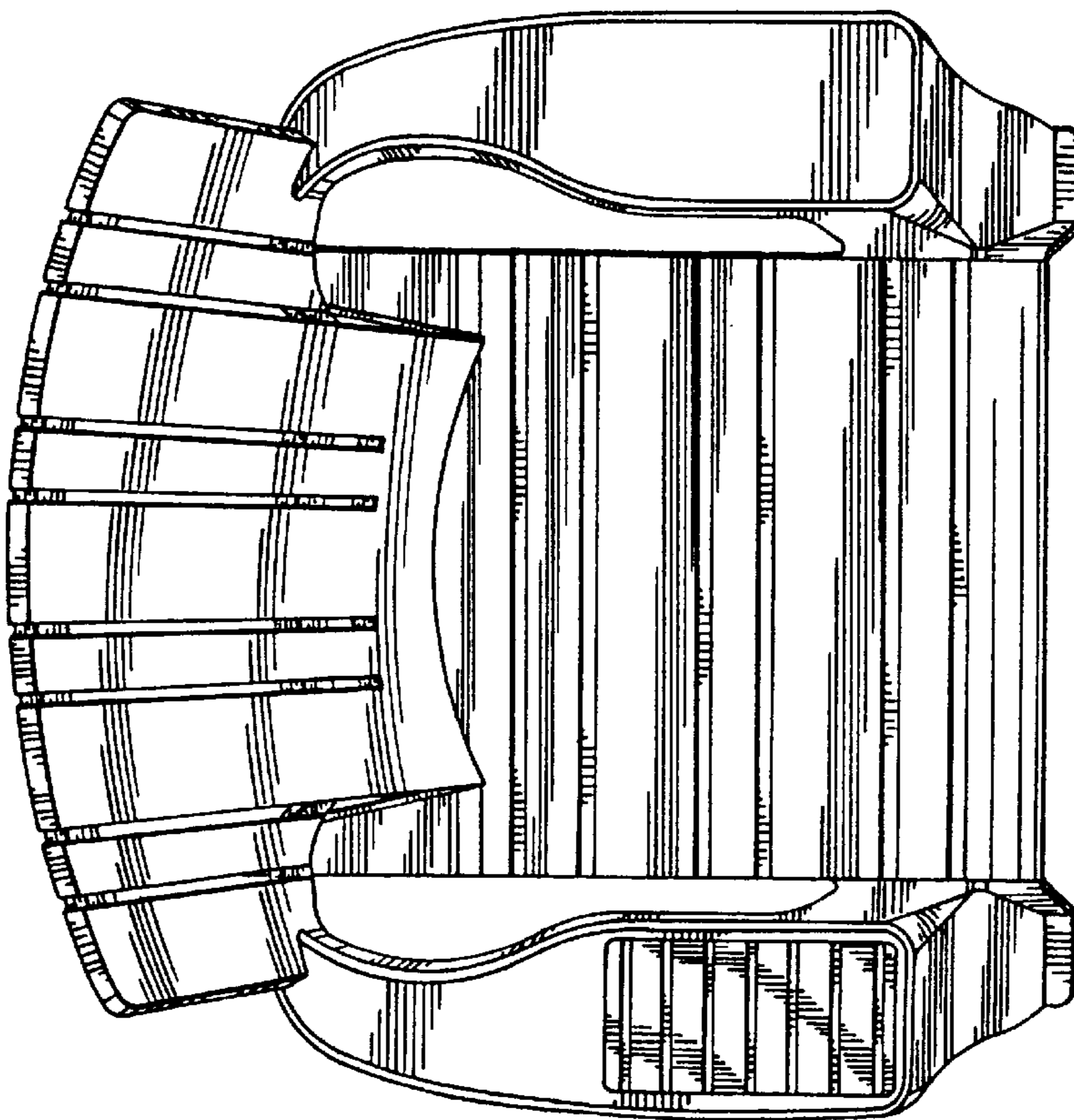


FIG. 4

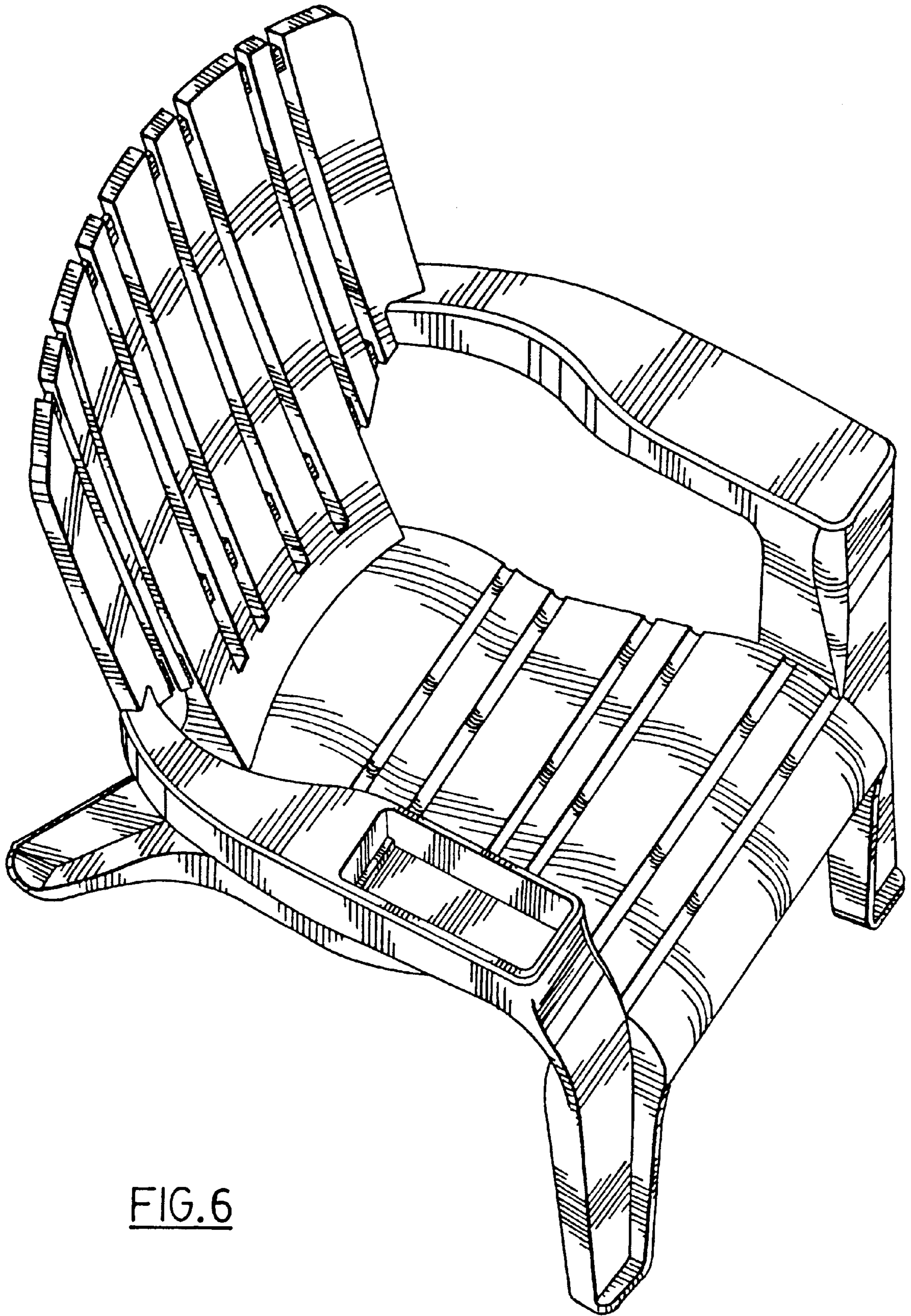


FIG. 6