



US00D413450S

**United States Patent** [19]  
**Van Rhienen**

[11] **Patent Number: Des. 413,450**  
[45] **Date of Patent: \*\* Sep. 7, 1999**

[54] **STACKABLE CHAIR WITH ENCLOSED SIDES**

[75] Inventor: **Alphons Van Rhienen**, Schoten, Belgium

[73] Assignee: **Euro United Corporation**, Oakville, Canada

[\*\*] Term: **14 Years**

[21] Appl. No.: **29/094,202**

[22] Filed: **Sep. 28, 1998**

[30] **Foreign Application Priority Data**

Aug. 6, 1998 [CA] Canada ..... 1998-1881

[51] **LOC (6) Cl.** ..... **06-01**

[52] **U.S. Cl.** ..... **D6/370; D6/374; D6/379**

[58] **Field of Search** ..... D6/334, 370, 374, D6/375, 379, 380, 500, 501, 502; 297/239, 411.42, DIG. 2

[56] **References Cited**

**U.S. PATENT DOCUMENTS**

- D. 234,240 2/1975 Noda et al. .... D6/379
- D. 274,770 7/1984 Massonnet ..... D6/375
- D. 329,339 9/1992 Grosfillex ..... D6/370
- D. 331,324 12/1992 Grosfillex ..... D6/375
- D. 335,972 6/1993 Lamalle .

- D. 338,347 8/1993 Hubert ..... D6/370
- D. 352,613 11/1994 Kelly ..... D6/370
- D. 360,537 7/1995 VanSkiver .
- D. 361,903 9/1995 VanSkiver .
- D. 362,556 9/1995 VanSkiver .
- D. 362,759 10/1995 Sagol .
- D. 362,975 10/1995 Sagol .
- D. 364,748 12/1995 Morin .
- D. 366,159 1/1996 Sagol .
- D. 373,255 9/1996 Gresens ..... D6/379
- D. 373,473 9/1996 Grosfillex .

*Primary Examiner*—Gary D. Watson  
*Attorney, Agent, or Firm*—Barrigar & Moss

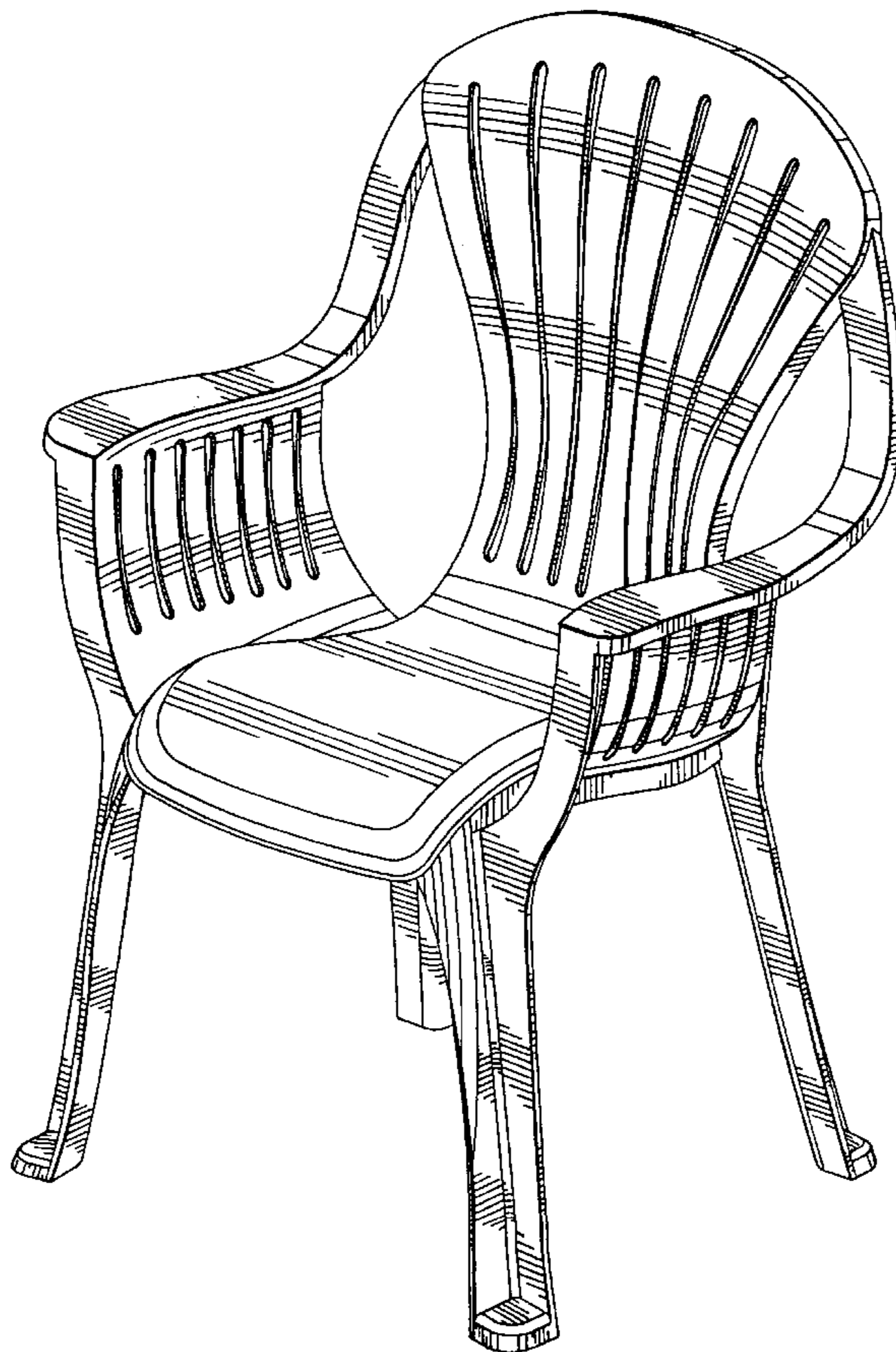
[57] **CLAIM**

The ornamental design for a stackable chair with enclosed sides, as shown and described.

**DESCRIPTION**

FIG. 1 is a perspective view of a stackable chair with enclosed sides taken from above and showing the left side thereof;  
FIG. 2 is a front view of the chair of FIG. 1;  
FIG. 3 is a rear view of the chair of FIG. 1;  
FIG. 4 is a right side view of the chair of FIG. 1; and,  
FIG. 5 is a top plan view of the chair of FIG. 1.  
FIGS. 2 through 5 have been shown on a reduced scale with respect to FIG. 1.

**1 Claim, 3 Drawing Sheets**



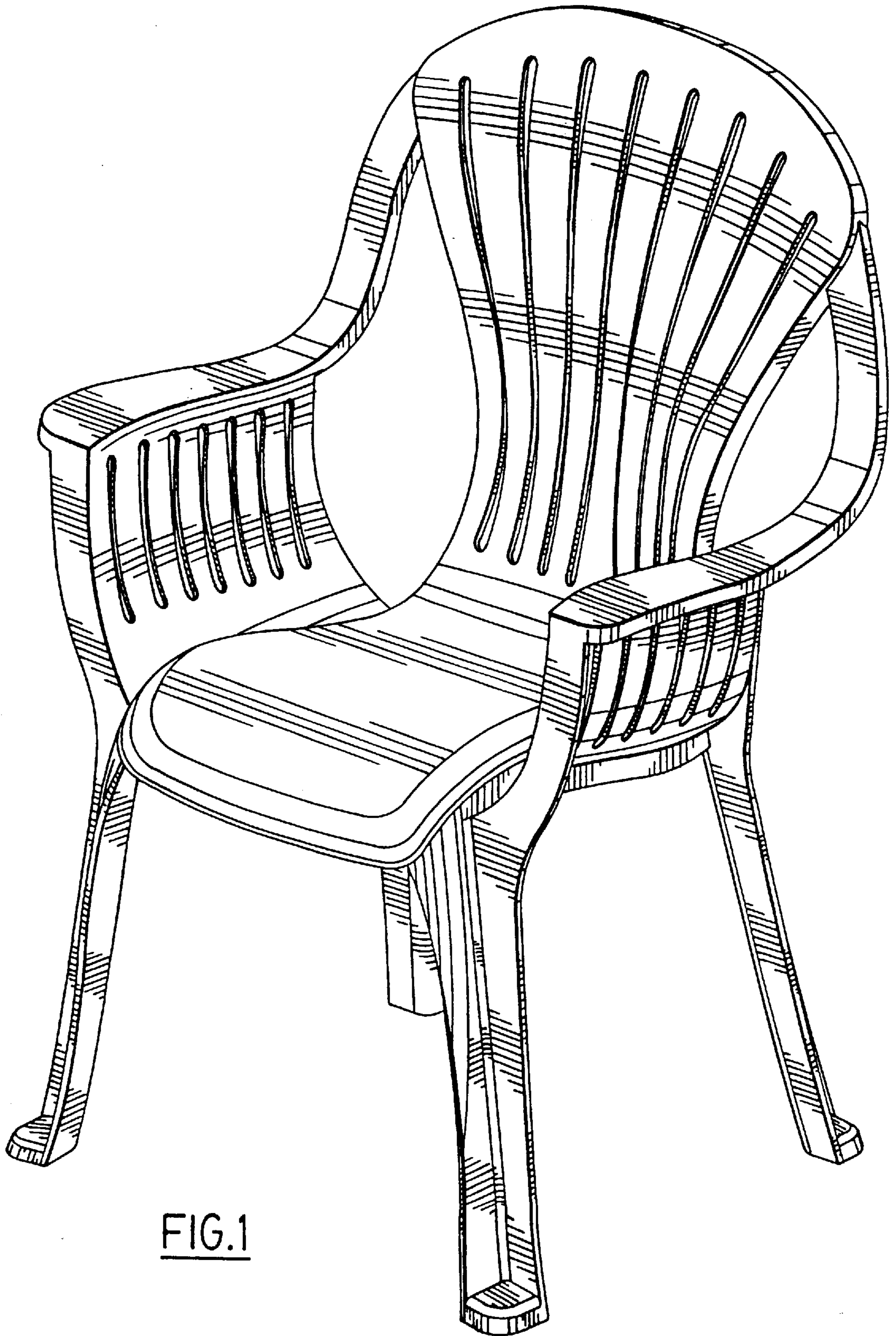


FIG. 1

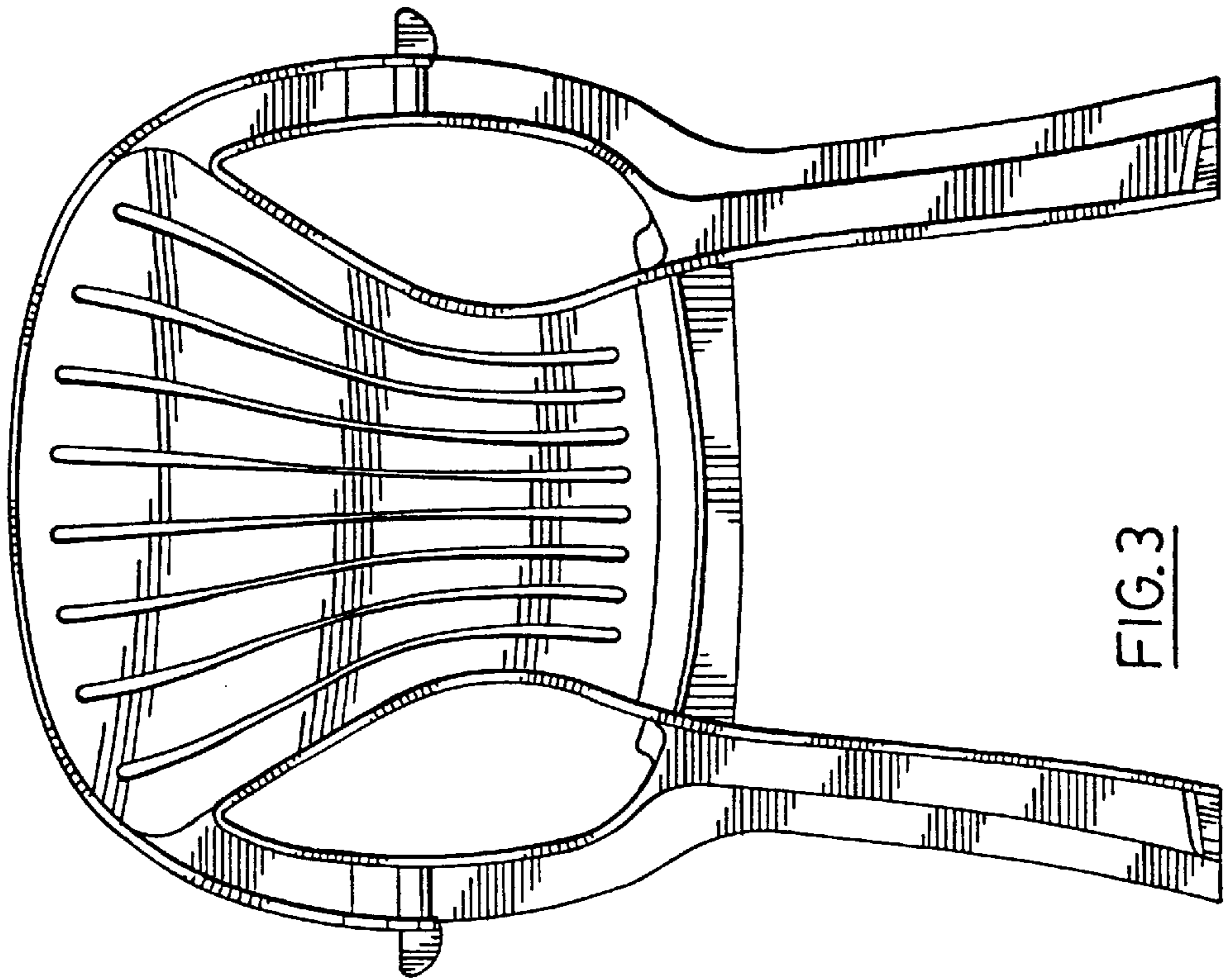


FIG. 3

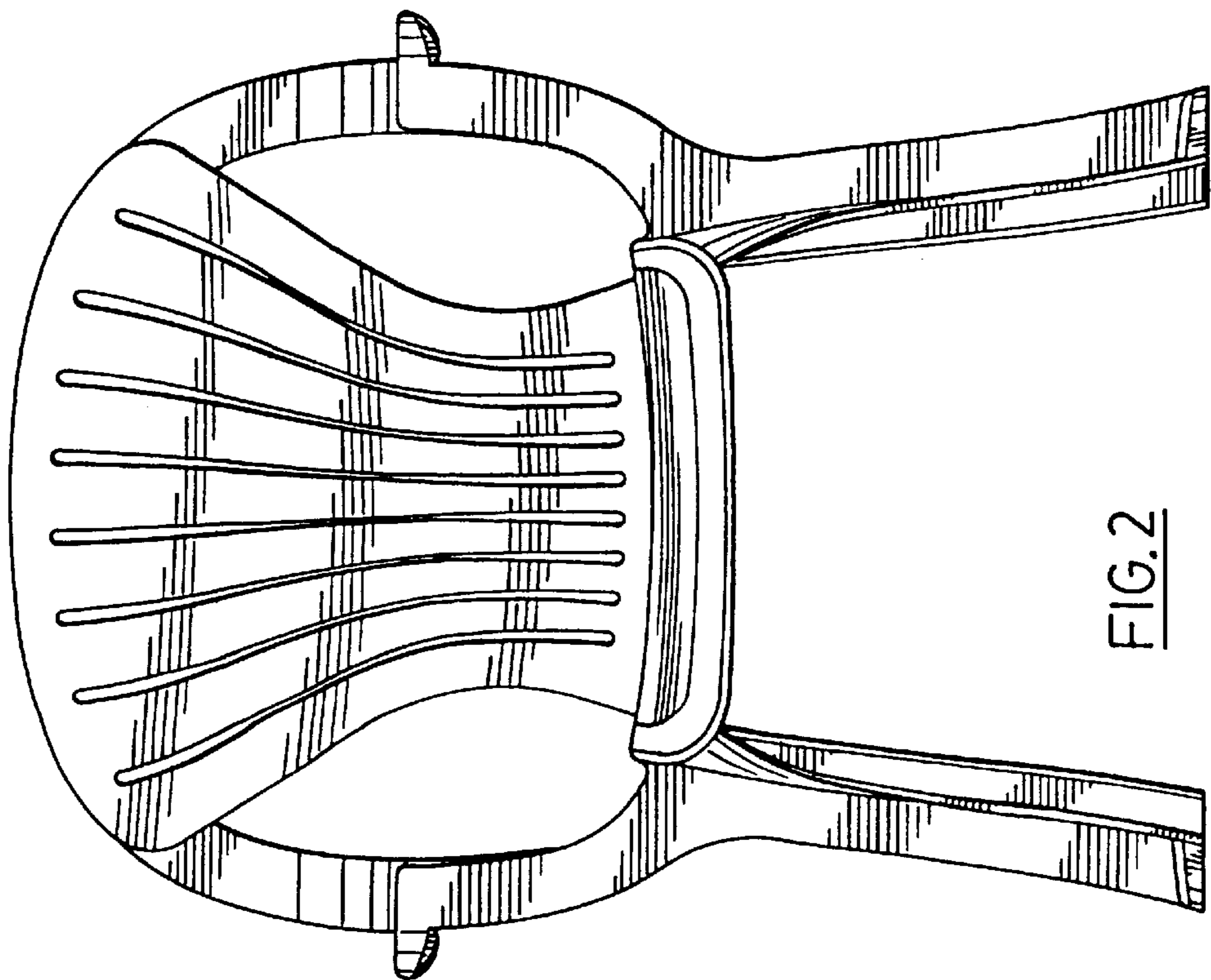


FIG. 2

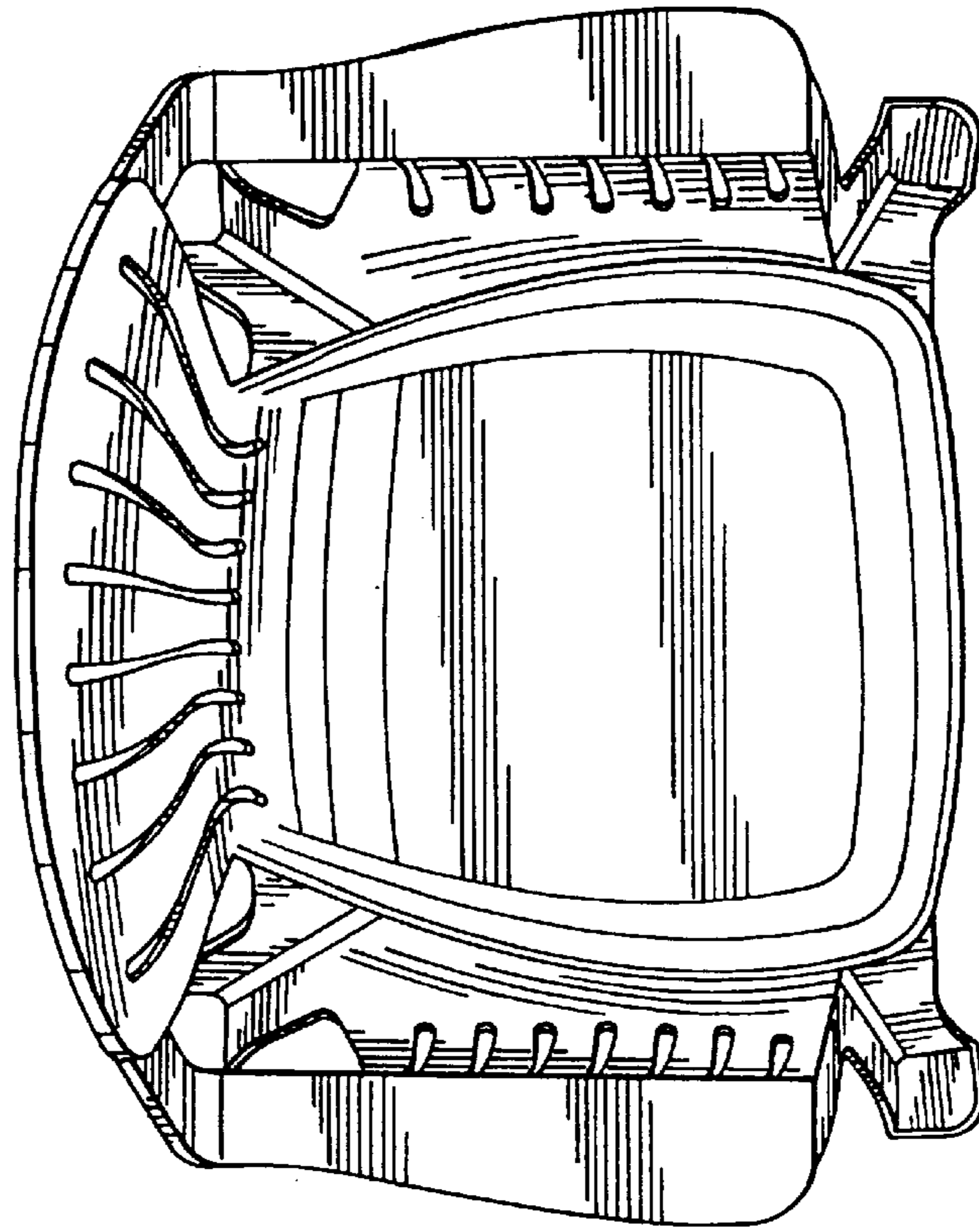


FIG. 5

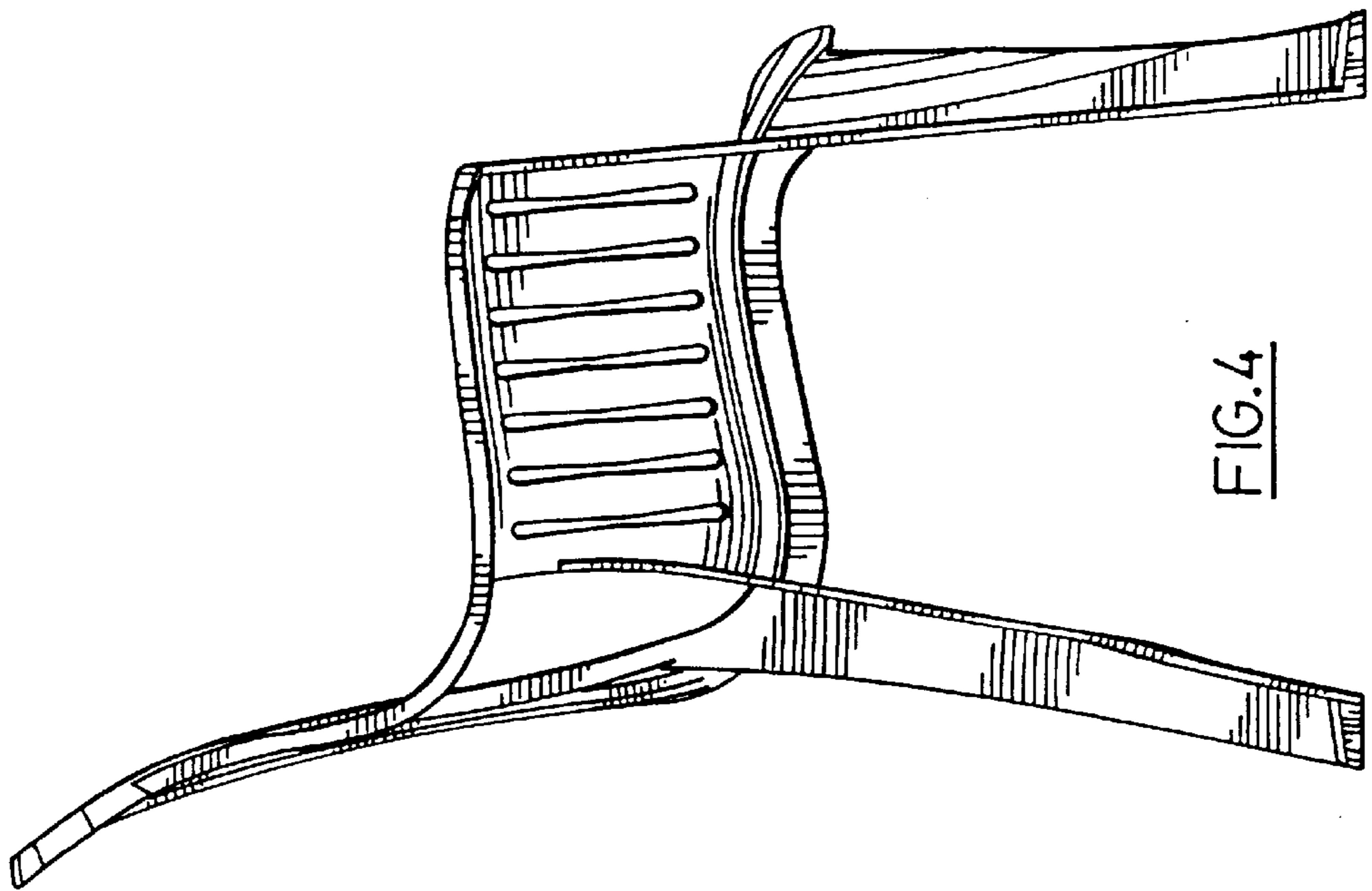


FIG. 4