



US00D413447S

United States Patent [19] Tseng

[11] **Patent Number: Des. 413,447**

[45] **Date of Patent: ** Sep. 7, 1999**

[54] **FOLDABLE CHAIR**

[75] Inventor: **Chuen-Jong Tseng**, Chiayi Hsien, Taiwan

[73] Assignee: **Shin Yen Enterprise Co., Ltd.**, Chiayi Hsien, Taiwan

[**] Term: **14 Years**

[21] Appl. No.: **29/090,082**

[22] Filed: **Jun. 29, 1998**

[51] **LOC (6) Cl.** **06-01**

[52] **U.S. Cl.** **D6/368; D6/379**

[58] **Field of Search** D6/334, 335, 367, D6/368, 374, 375, 379, 500, 501, 502; 297/27, 28, 35, 39

[56] **References Cited**

U.S. PATENT DOCUMENTS

Re. 20,181	11/1936	Freedman	297/27
246,465	8/1881	Cotton	297/28
D. 281,933	12/1985	Deconinck	D6/368
D. 358,719	5/1995	Vine	D6/368

D. 370,133	5/1996	Grosfillex	D6/368
D. 403,872	1/1999	Grosfillex	D6/368
1,955,490	4/1934	Emerson	297/39
2,097,500	11/1937	Oermann	297/27
2,333,761	11/1943	Beeskow	297/27
5,855,409	1/1999	Tseng	297/27

Primary Examiner—Doris V. Coles
Assistant Examiner—Mimosa De
Attorney, Agent, or Firm—Ladas & Parry

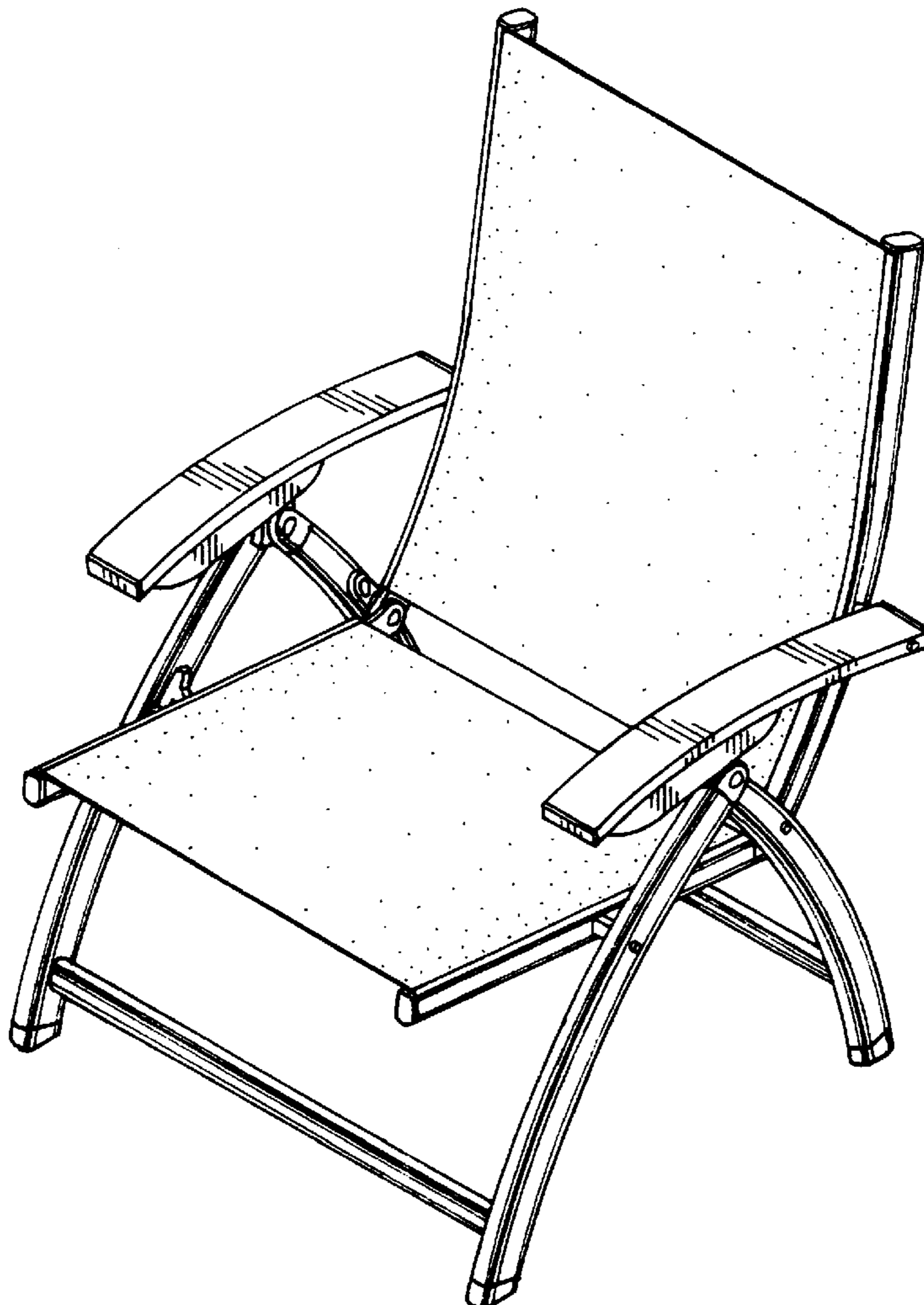
[57] **CLAIM**

The ornamental design for foldable chair, as shown and described.

DESCRIPTION

FIG. 1 is a perspective view of foldable chair showing my new design;
FIG. 2 is a front elevational view thereof;
FIG. 3 is a rear elevational view thereof;
FIG. 4 is a left side elevational view thereof;
FIG. 5 is a right side elevational view thereof;
FIG. 6 is a top plan view thereof; and,
FIG. 7 is a bottom plan view thereof.

1 Claim, 4 Drawing Sheets



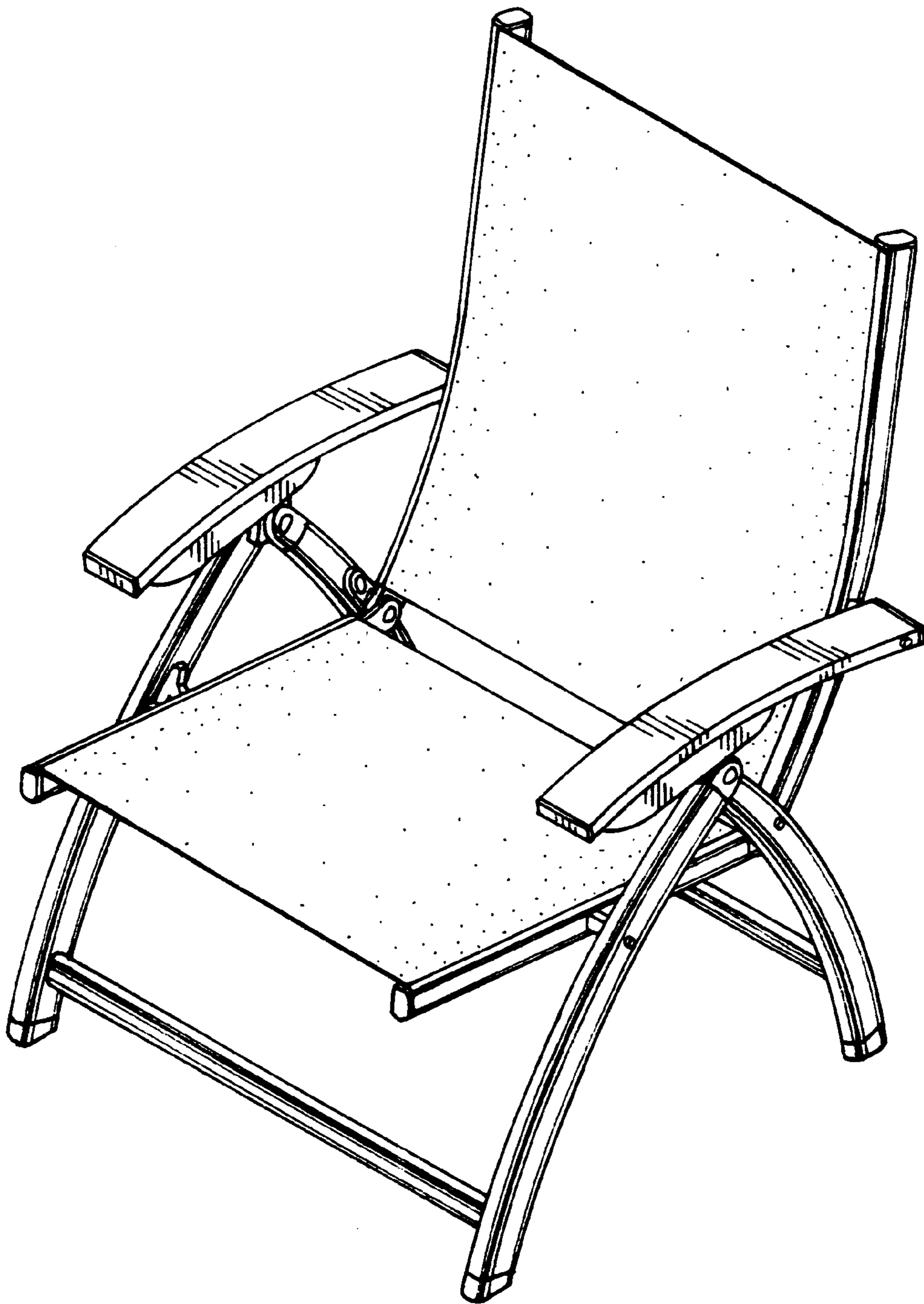


FIG. 1

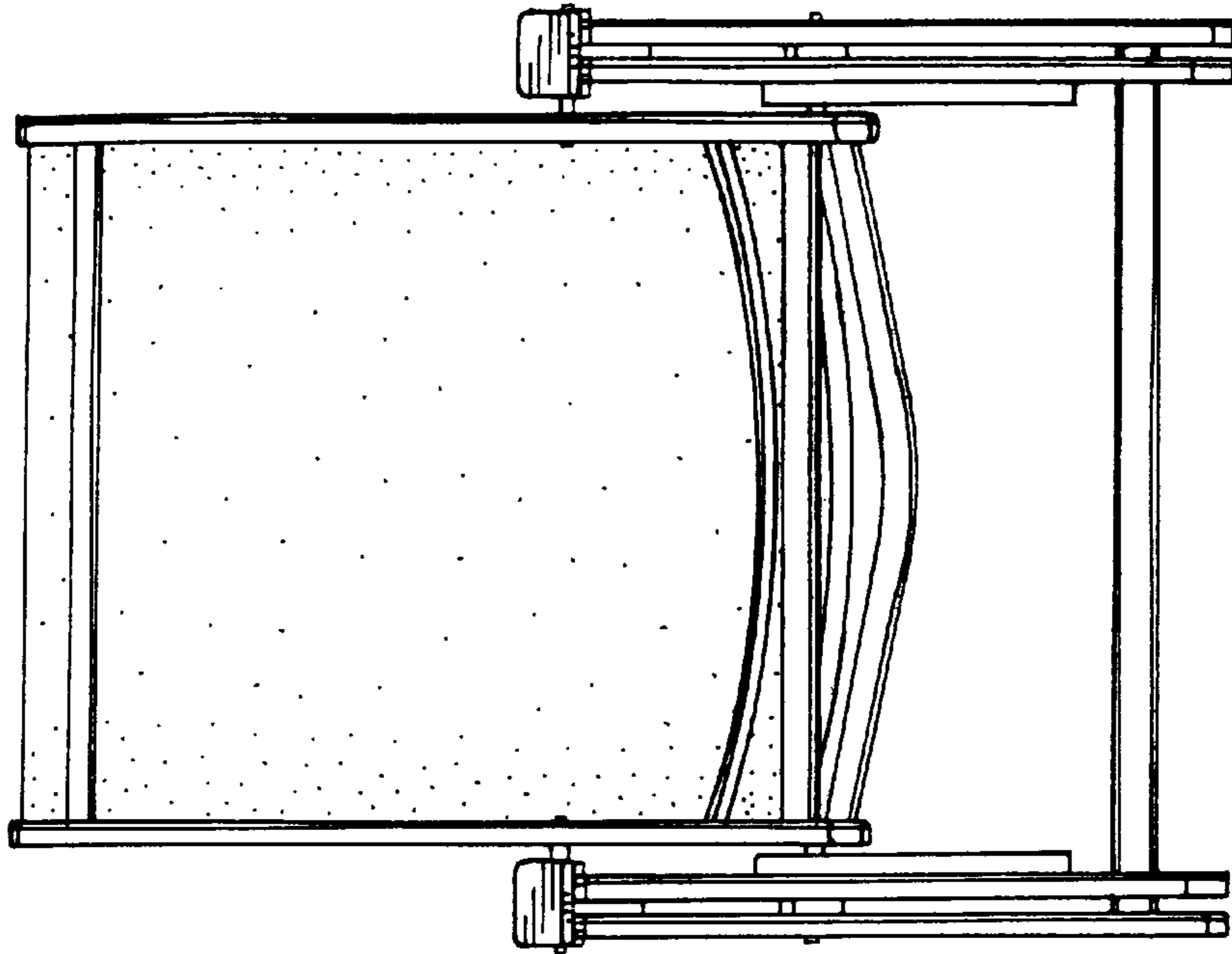


FIG. 3

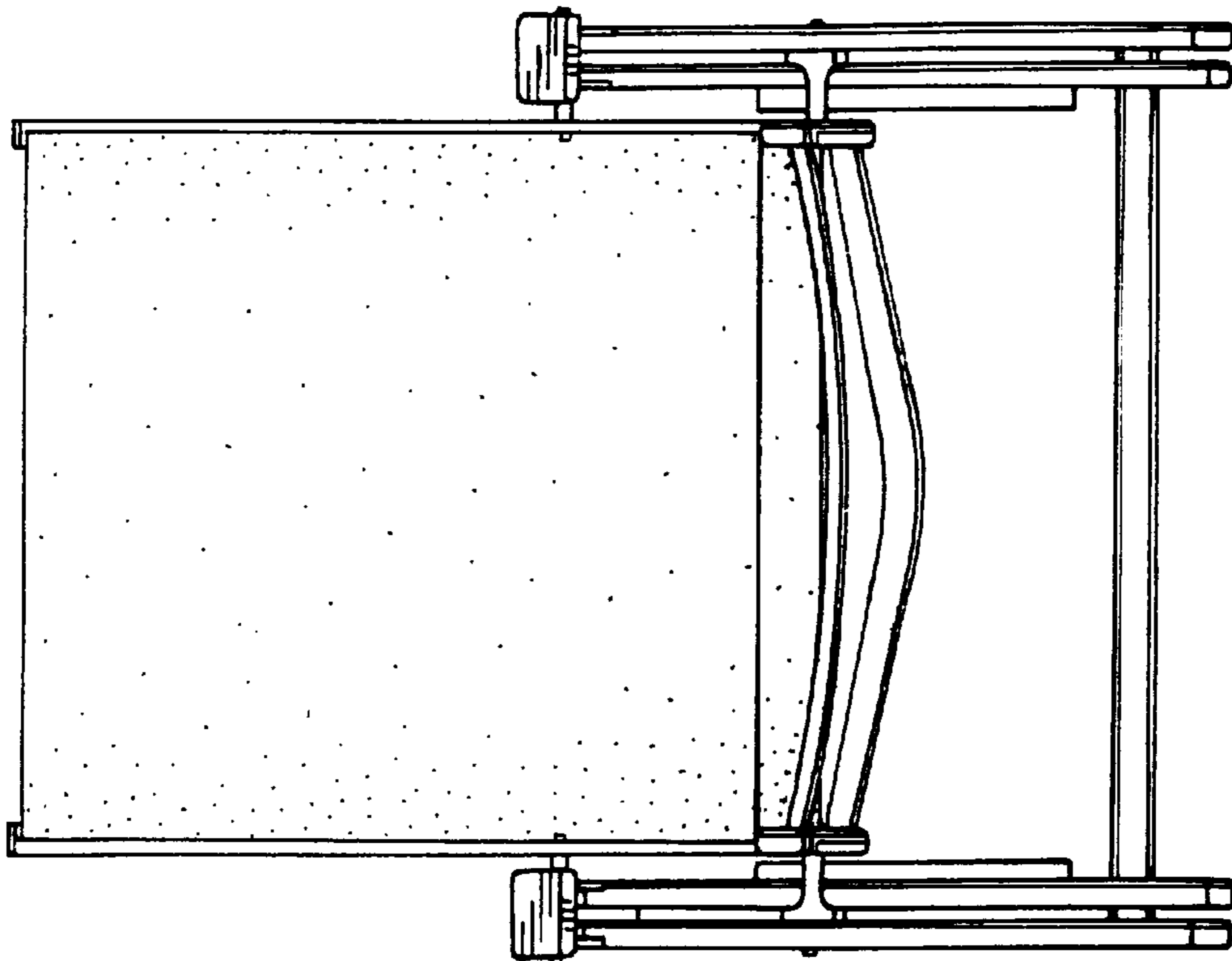


FIG. 2

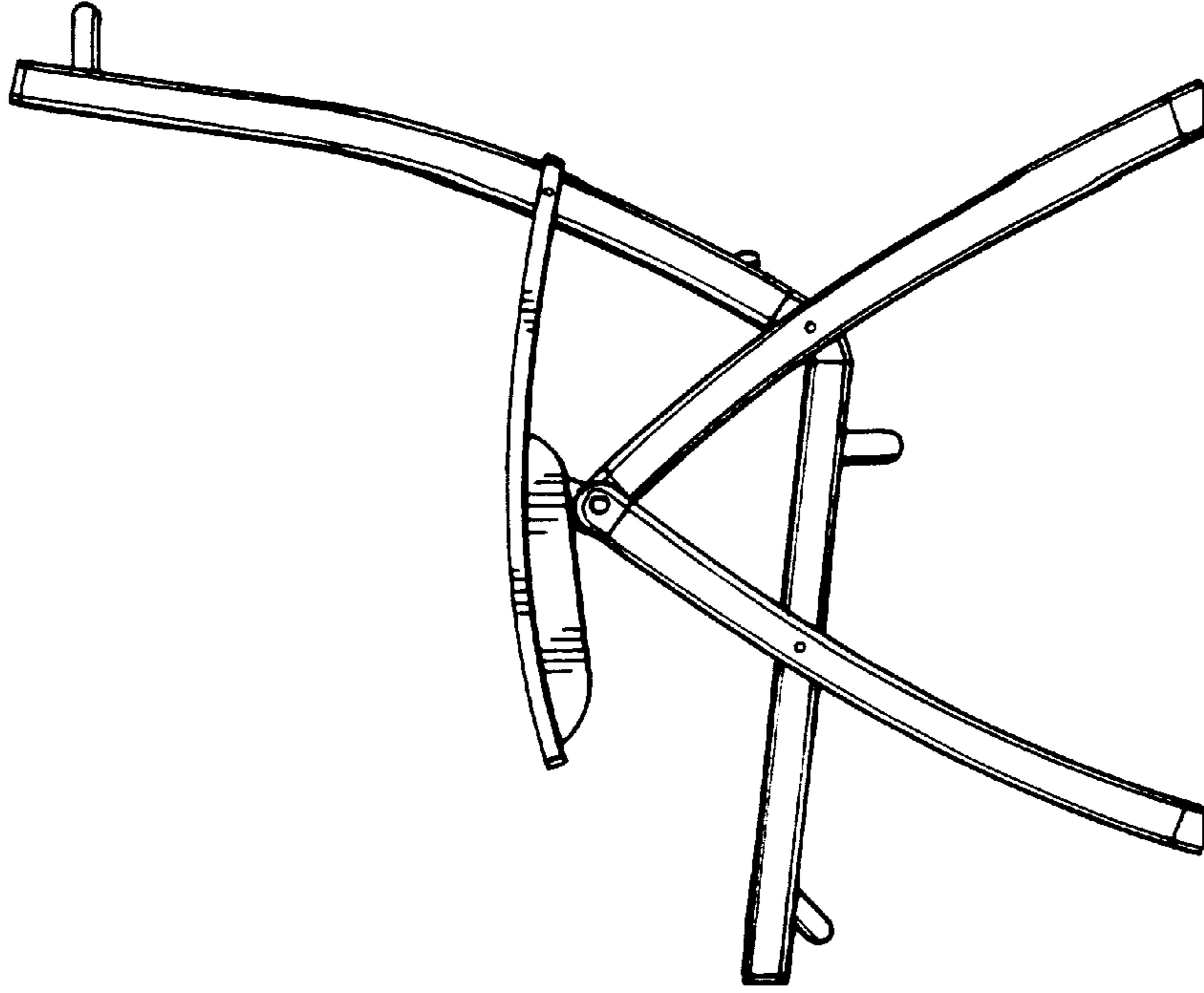


FIG. 5

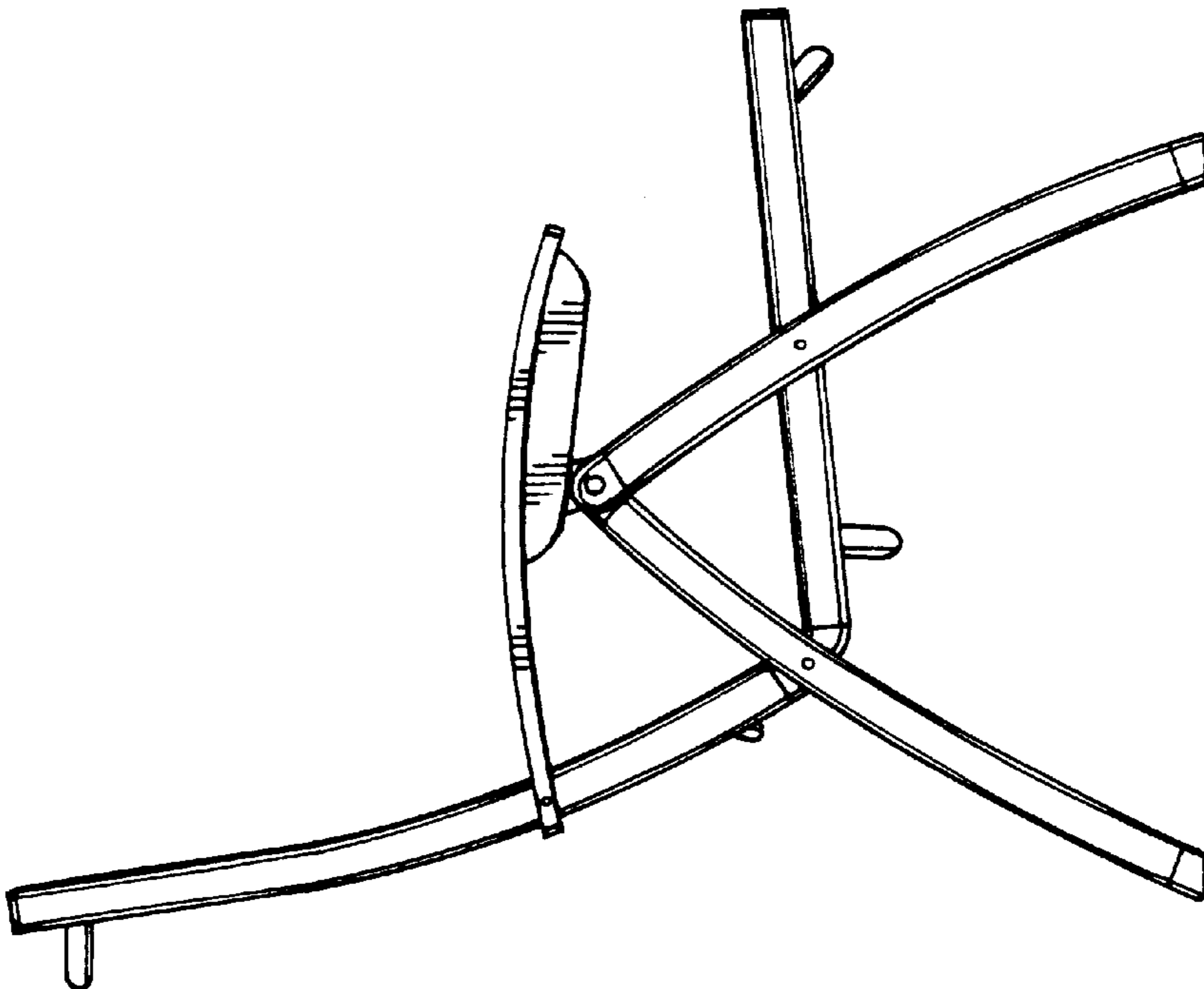


FIG. 4

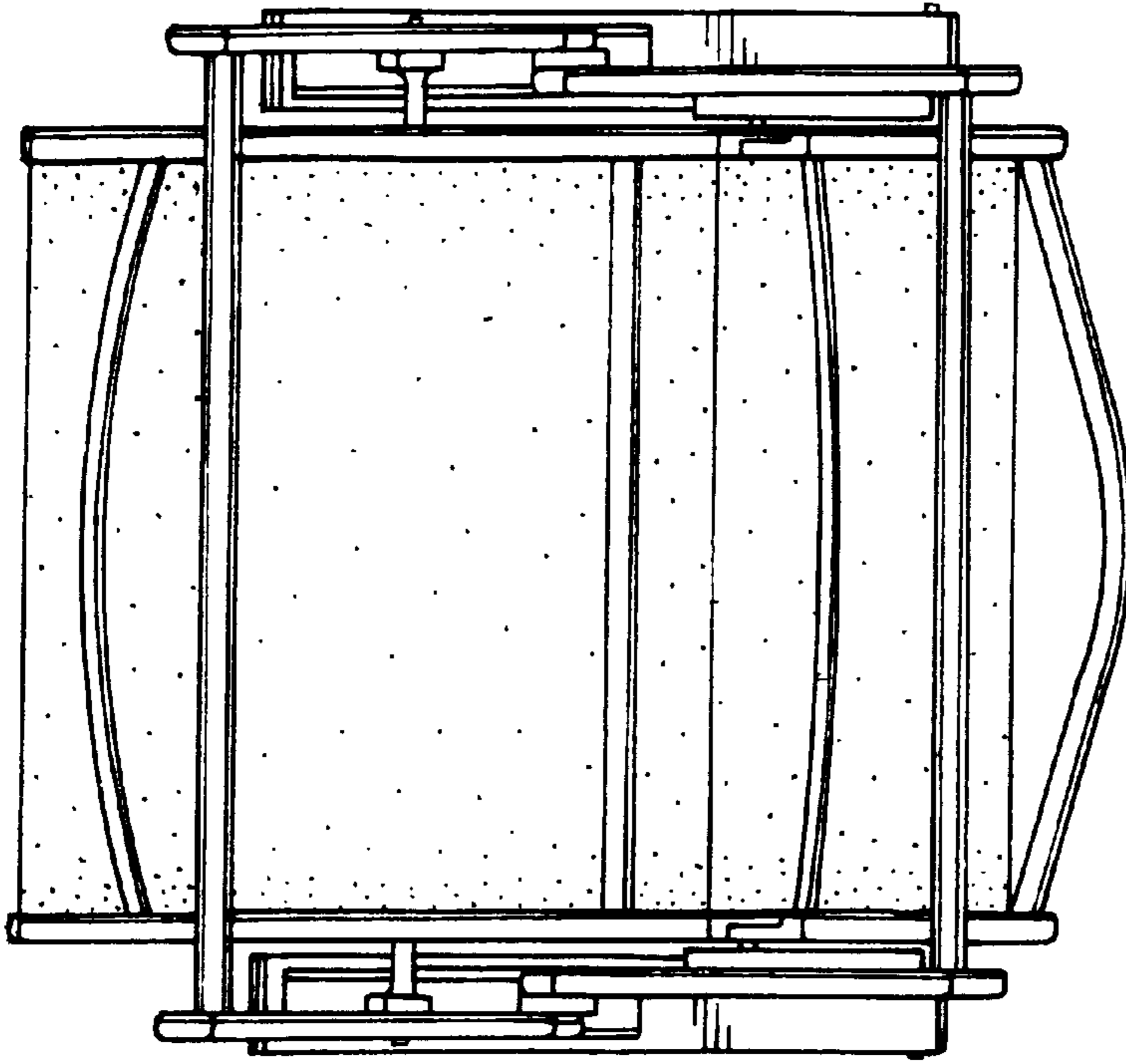


FIG. 6

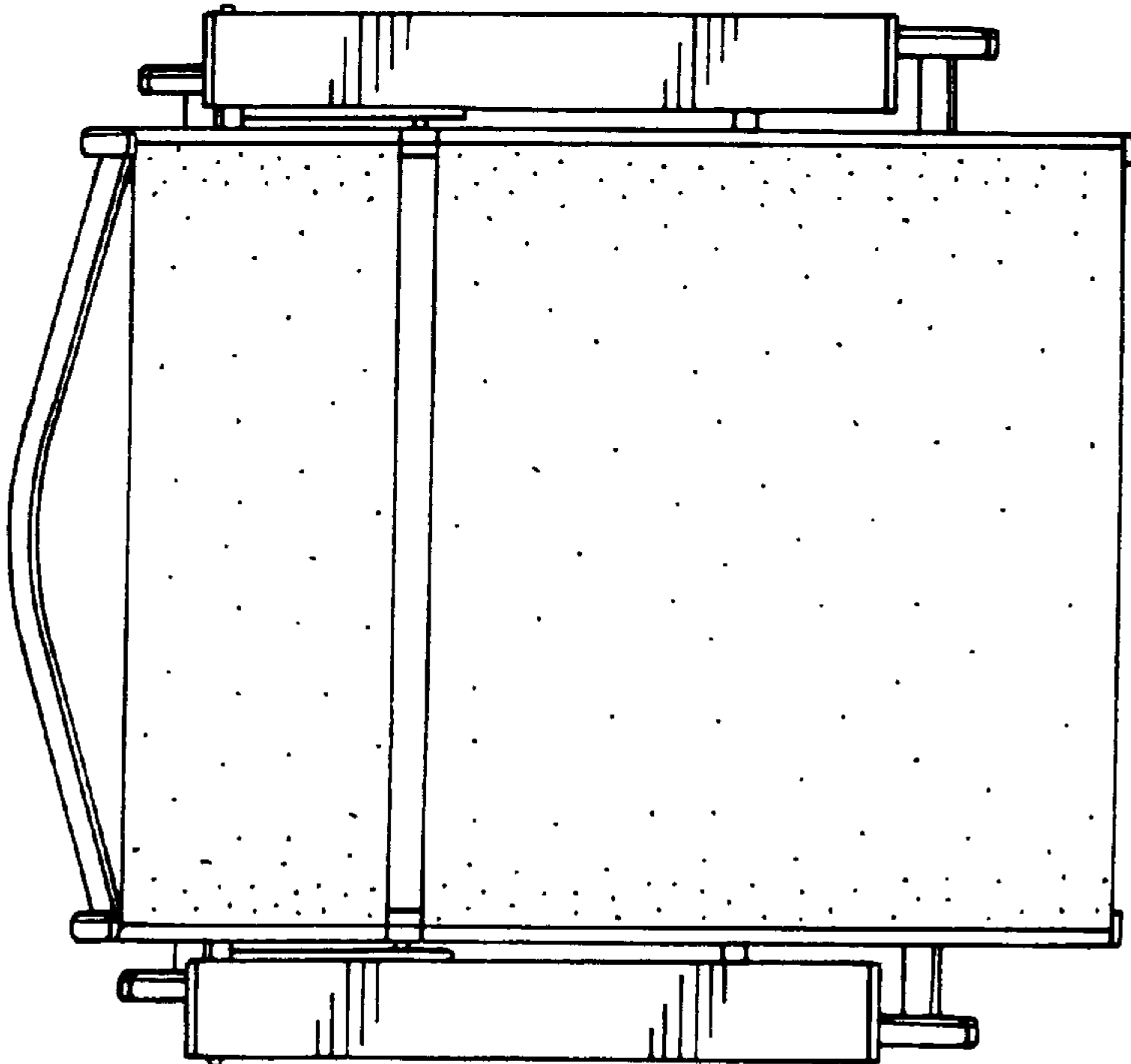


FIG. 7