



US00D413445S

# United States Patent [19]

deBlois et al.

[11] Patent Number: **Des. 413,445**

[45] Date of Patent: **\*\* Sep. 7, 1999**

[54] **SCRUB BRUSH HANDLE**

[75] Inventors: **Bryan P deBlois**, Guilford; **David W. Kaiser**, North Haven; **Patrick B Nolan**, Westport; **Richard J. Carbone**, Southbury, all of Conn.

[73] Assignee: **Black & Decker Inc.**, Newark, Del.

[\*\*] Term: **14 Years**

[21] Appl. No.: **29/049,039**

[22] Filed: **Jan. 16, 1996**

[51] **LOC (6) Cl.** ..... **04-01**

[52] **U.S. Cl.** ..... **D4/138; D4/102; D4/129**

[58] **Field of Search** ..... D4/100, 102, 129, D4/137; 15/21.1, 22.1, 22.2, 23-29, 179, 180; 451/334, 356, 357, 359, 451; D32/17.1, 40, 45

### [56] **References Cited**

#### U.S. PATENT DOCUMENTS

D. 305,480 1/1990 Yuen ..... D4/100

D. 320,490	10/1991	Andrew, III et al. ....	D32/45
3,027,585	4/1962	Freedman et al. ....	15/28 X
4,299,004	11/1981	Lancaster ....	15/28 X
4,512,053	4/1985	Horak et al. ....	15/28
5,423,102	6/1995	Madison ....	15/22.2

*Primary Examiner*—Alan P. Douglas  
*Assistant Examiner*—Lavone D. Tabor  
*Attorney, Agent, or Firm*—Barry E. Deutsch

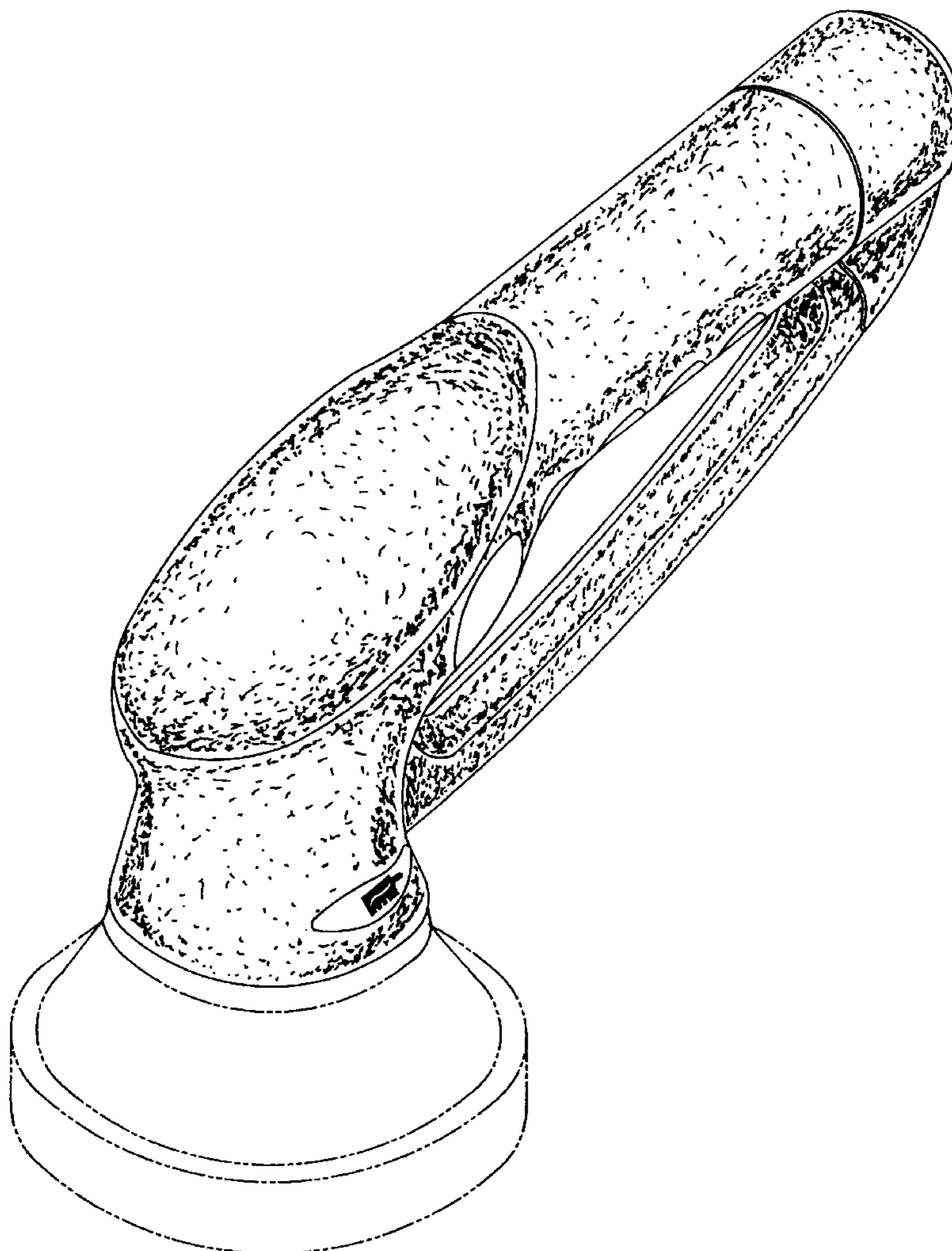
### [57] **CLAIM**

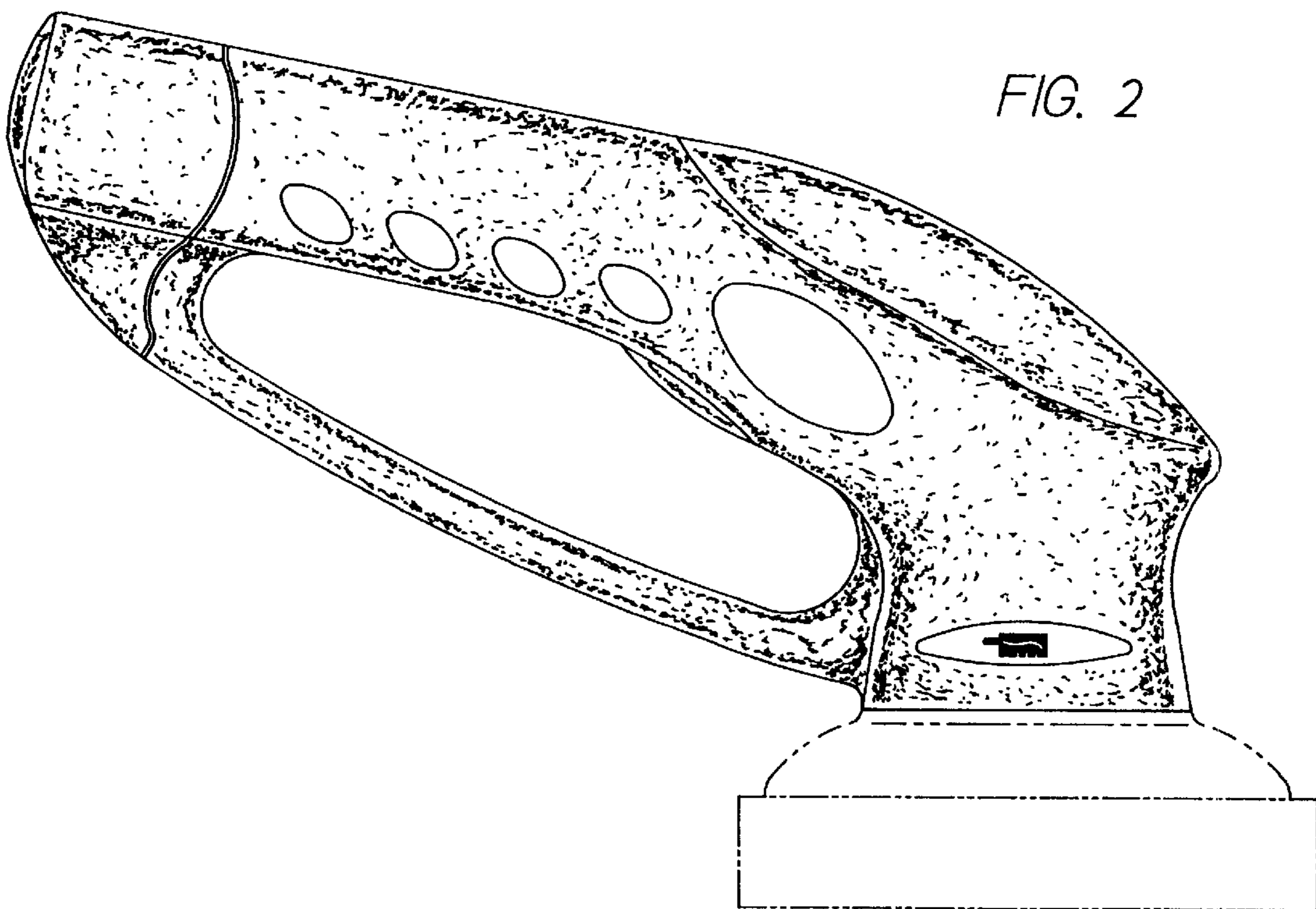
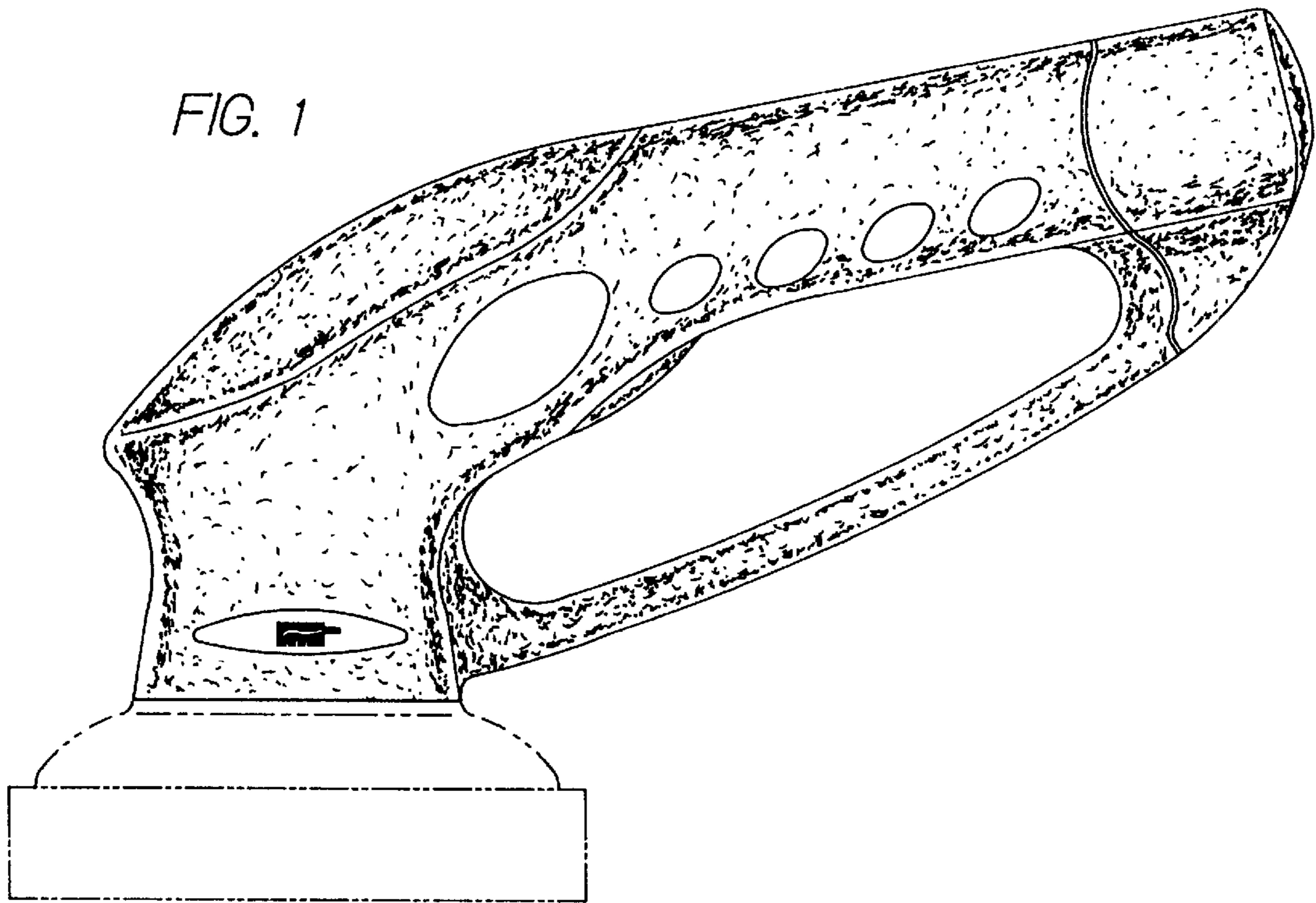
The ornamental design for a scrub brush handle, as shown and described.

### **DESCRIPTION**

FIG. 1 is a right side elevational view of a scrub brush handle showing our new design; FIG. 2 is a left side elevational view thereof; FIG. 3 is a front elevational view thereof; FIG. 4 is a rear elevational view thereof; FIG. 5 is a top plan view thereof; and, FIG. 6 is a perspective view thereof. The broken line showing of a brush head is for illustrative purposes only and forms no part of the claimed design.

**1 Claim, 3 Drawing Sheets**





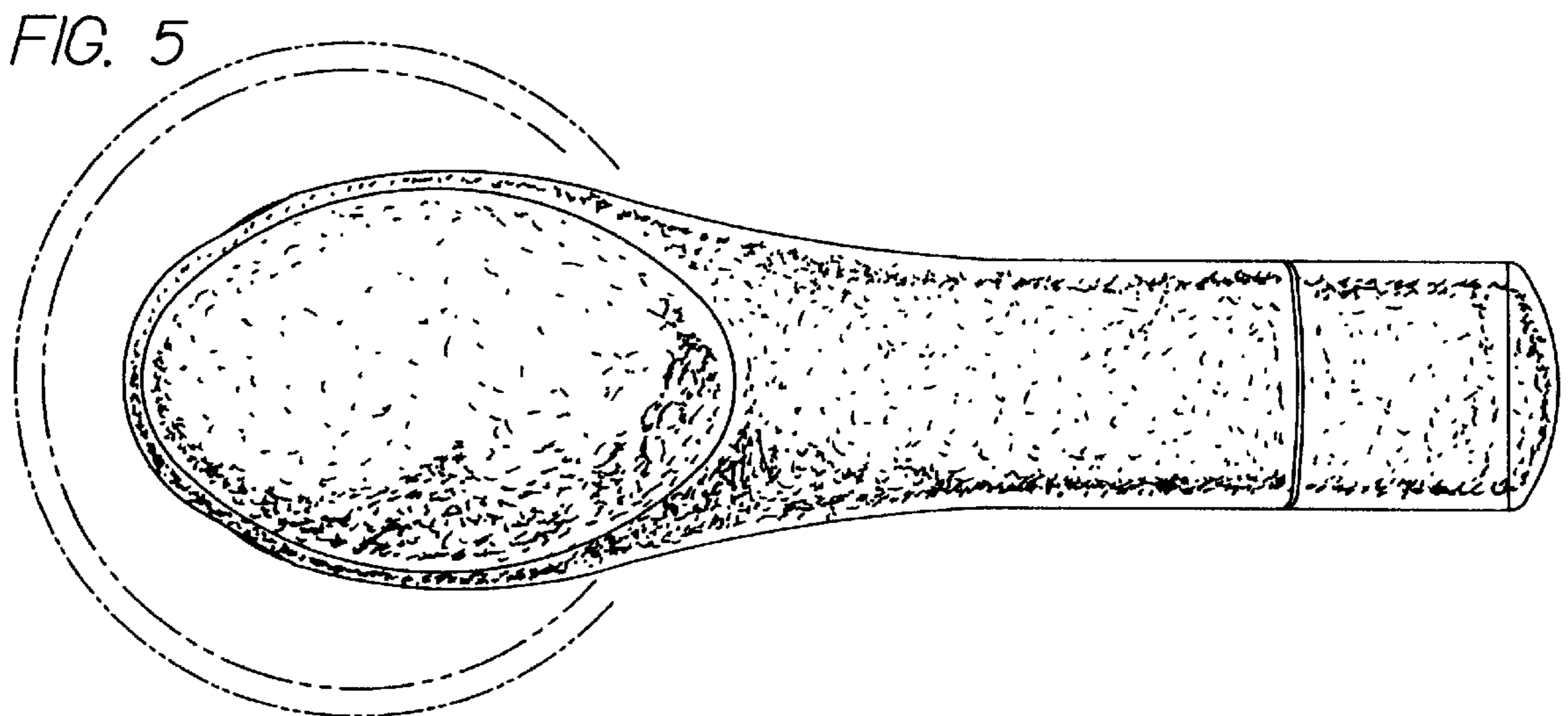
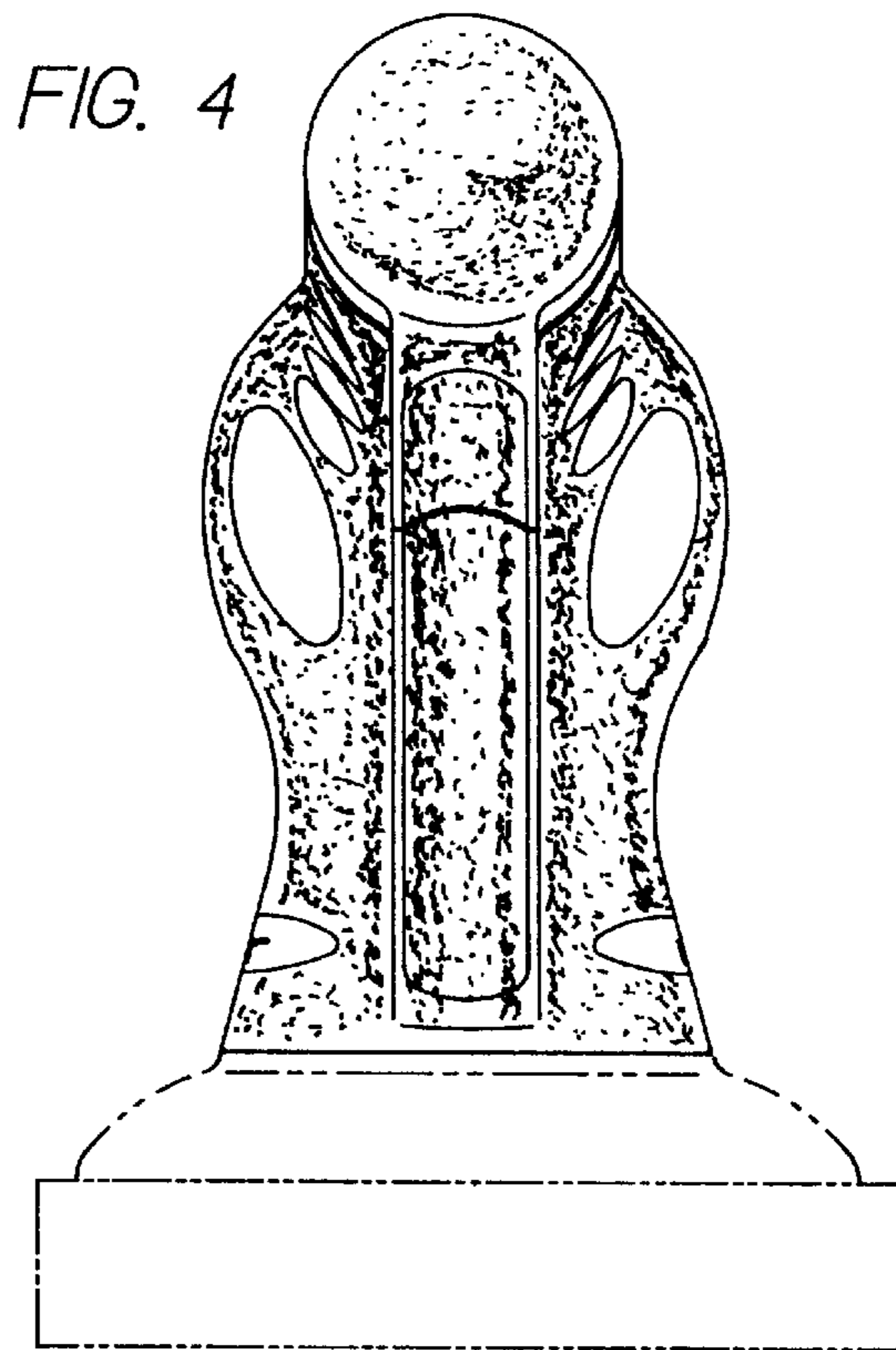
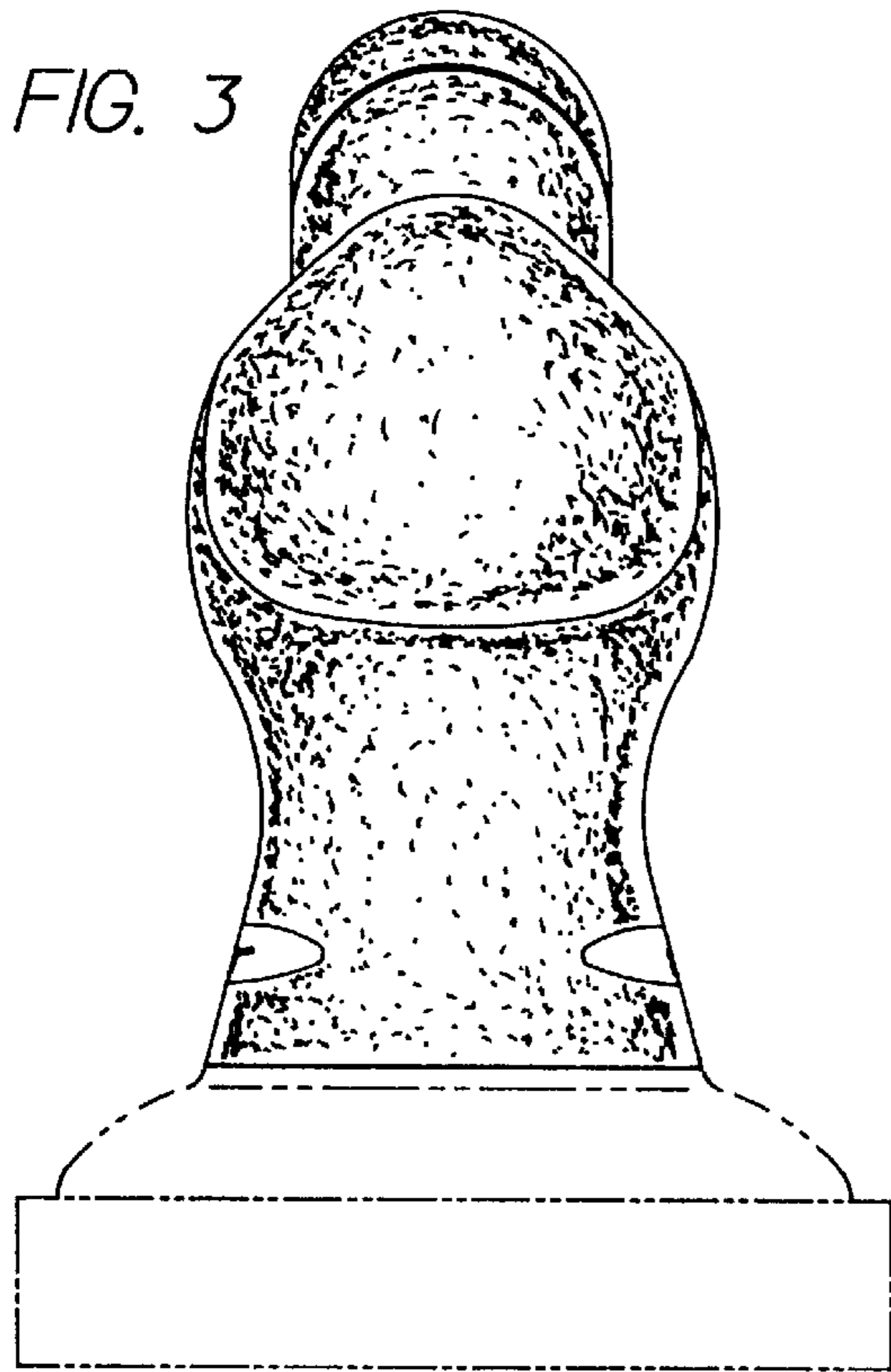


FIG. 6

