



US00D413443S

United States Patent [19]

Schwebke et al.

[11] Patent Number: **Des. 413,443**

[45] Date of Patent: **** Sep. 7, 1999**

[54] **SET OF FISHING ROD HOLDING BRACKETS FOR MOUNTING TO A TACKLE BOX**

4,335,534	6/1982	Allred	D22/147
4,658,533	4/1987	Mendoza	43/21.2
5,125,615	6/1992	McGuire	43/21.2
5,414,953	5/1995	Taylor	D3/260

[76] Inventors: **Roger F Schwebke; Barbara L Schwebke**, both of 10858 Sierra Hwy., Aqua Dulce, Calif. 91350

Primary Examiner—Stella Reid
Assistant Examiner—Robert A. Delehanty
Attorney, Agent, or Firm—Goldstein & Canino

[**] Term: **14 Years**

[57] **CLAIM**

[21] Appl. No.: **29/090,072**

Th ornamental design for a set of fishing rod holding brackets for mounting to a tackle box, as shown and described.

[22] Filed: **Jun. 29, 1998**

[51] **LOC (6) Cl.** **03-99**

[52] **U.S. Cl.** **D3/318**

[58] **Field of Search** D3/260, 273, 318, D3/328; 206/315.11; 248/214, 215, 535, 536; D22/147, 134, 148; 43/15, 16, 21.2, 27.4, 54.1; 254/389; D6/491, 552

DESCRIPTION

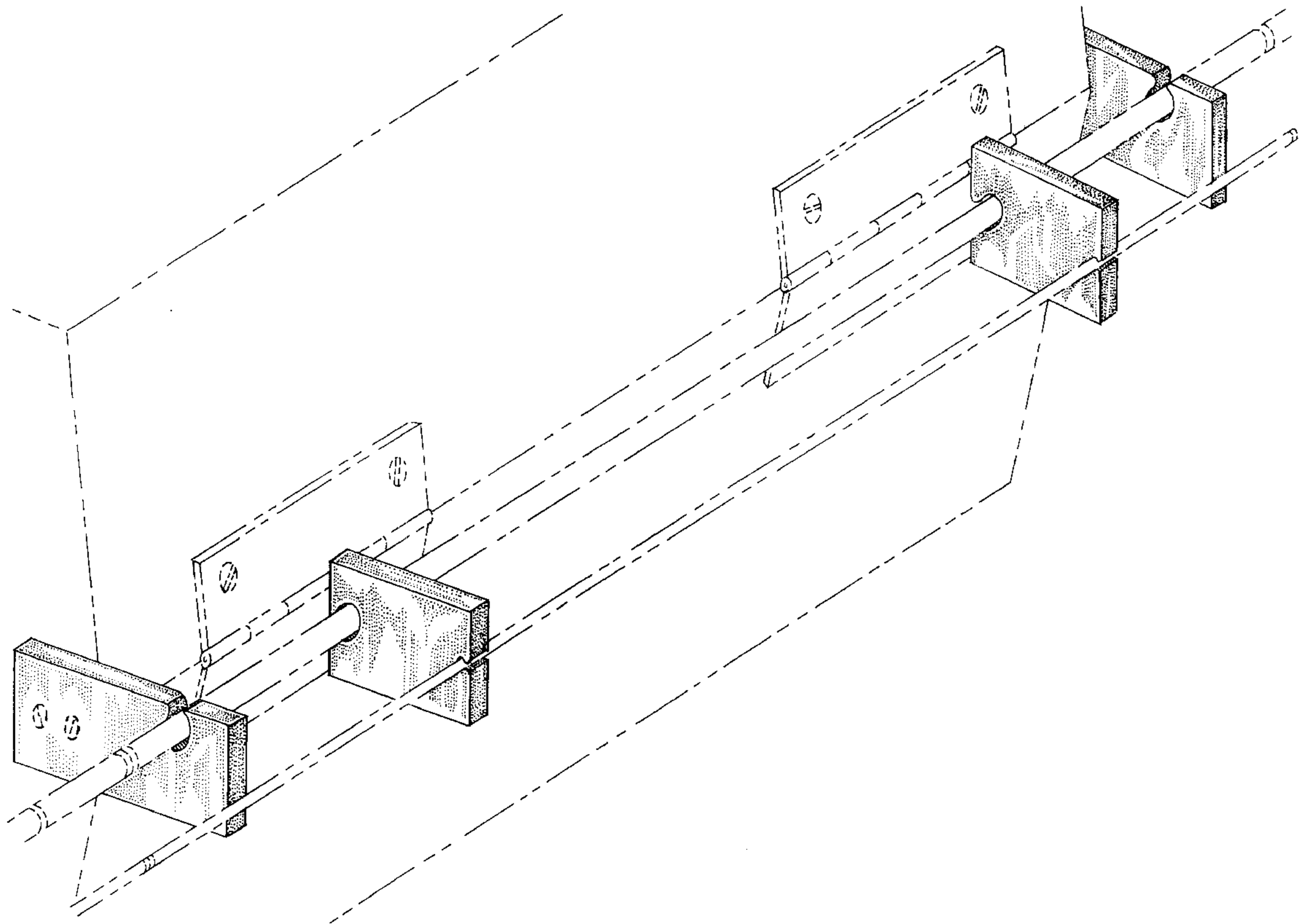
[56] **References Cited**

U.S. PATENT DOCUMENTS

D. 238,400	1/1976	Uyeda	D3/319
D. 373,271	9/1996	Rosh et al.	D22/147
D. 382,109	8/1997	Green-Law et al.	D3/260
2,596,403	6/1952	Hoffman	43/21.2
2,828,096	3/1958	Beri	43/27.4
4,014,128	3/1977	Hrdlicka	43/21.2
4,270,259	6/1981	Tichy et al.	206/315.11

FIG. 1 is a diagrammatic perspective view of the set of fishing rod holding brackets for mounting to a tackle box in full lines with a tackle box shown in broken lines representing environmental association matter being for illustrative purposes only and forming no part of the claimed invention. FIG. 2 is a top plan view of the set of fishing rod holding brackets for mounting to a tackle box. FIG. 3 is a bottom plan view thereof. FIG. 4 is a rear elevational view thereof. FIG. 5 is a front elevational view thereof; and, FIG. 6 is a right side elevational view of the set of fishing rod holding brackets for mounting to a tackle box, the left side view being a mirror image of the right side view.

1 Claim, 4 Drawing Sheets



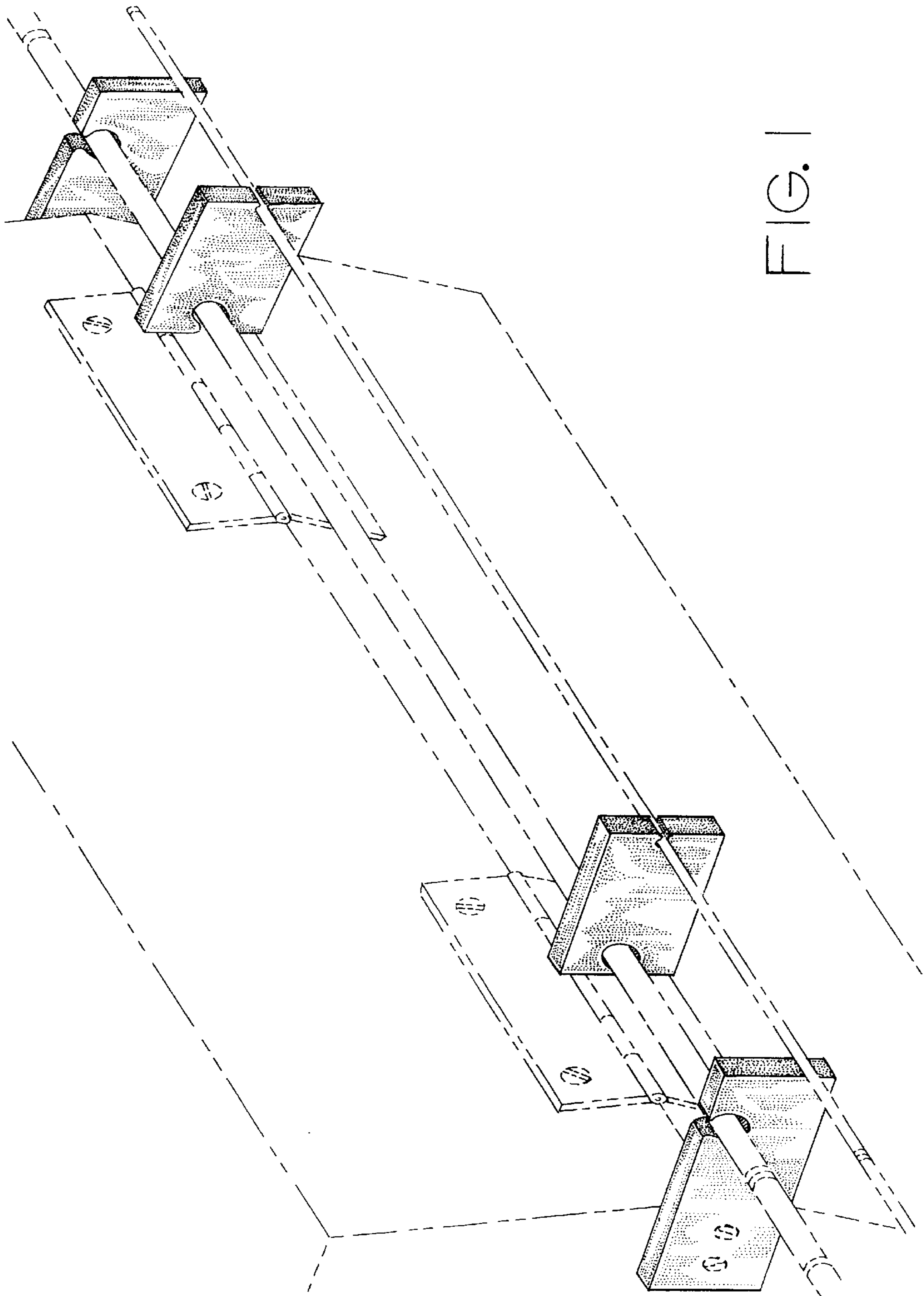


FIG. 1

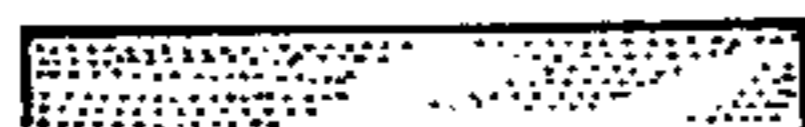
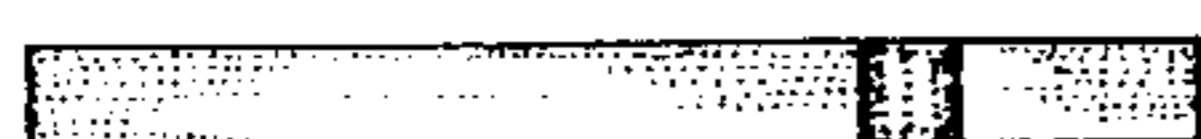
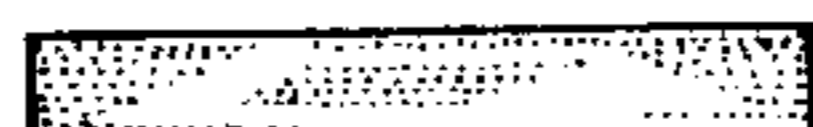


FIG. 2

FIG. 3



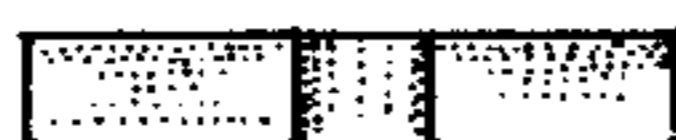
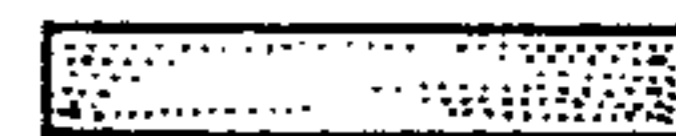


FIG. 4

FIG. 5

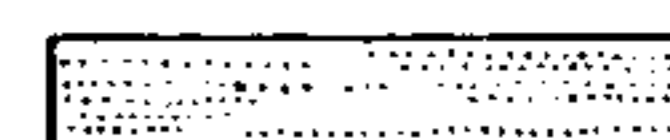
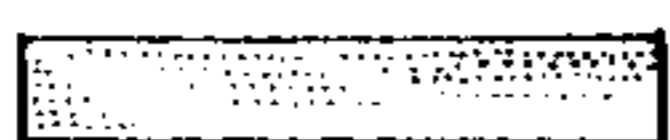


FIG. 6

