



US00D413442S

United States Patent [19]

Jacobson et al.

[11] Patent Number: Des. 413,442

[45] Date of Patent: ** Sep. 7, 1999

[54] STORAGE CONTAINER FOR BATTERIES

[75] Inventors: Jeffrey M. Jacobson, Providence; Dixon Newbold, Gloucester, both of R.I.

[73] Assignee: ReSource, Inc., Providence, R.I.

[**] Term: 14 Years

[21] Appl. No.: 29/083,955

[22] Filed: Feb. 20, 1998

- D. 268,130 3/1983 Easton .
- D. 278,253 4/1985 Evenson .
- D. 280,741 9/1985 Chatham .
- D. 303,447 9/1989 Ayres .
- D. 315,628 3/1991 Newarski D3/313
- D. 330,045 10/1992 Dietterich et al. .
- D. 330,219 10/1992 Carlson et al. D19/75 X
- D. 360,529 7/1995 Balzen .
- D. 380,299 7/1997 Schlaeger et al. .
- D. 385,111 10/1997 Dickinson et al. D3/315
- 3,326,119 6/1967 Smith .
- 5,050,733 9/1991 Brennan .

Related U.S. Application Data

[63] Continuation-in-part of application No. 29/049,061, Jan. 16, 1996, Pat. No. Des. 391,078.

[51] LOC (6) Cl. 03-01

[52] U.S. Cl. D3/313; D3/304

[58] Field of Search D3/313, 304, 305, D3/307, 310, 315, 901, 905; D2/550.1, 553.1, 553.2, 553.3, 555; 206/378, 373; D17/75; D9/432, 425, 341; 211/69.9

References Cited

U.S. PATENT DOCUMENTS

- D. 159,130 6/1950 Auger D3/901
- D. 167,732 9/1952 Alba .
- D. 190,130 4/1961 Traum D3/310

Primary Examiner—M. N. Pandozzi
Attorney, Agent, or Firm—Lockwood, Alex, Fitzgibbon & Cummings

[57] CLAIM

The ornamental design for a storage container for batteries, as shown and described.

DESCRIPTION

FIG. 1 is a perspective view of a storage container for batteries showing our new design; FIG. 2 is a top plan view thereof; FIG. 3 is a bottom plan view thereof; FIG. 4 is a left side elevational view thereof; FIG. 5 is a rear elevational view thereof; and, FIG. 6 is a front elevational view thereof.

1 Claim, 4 Drawing Sheets

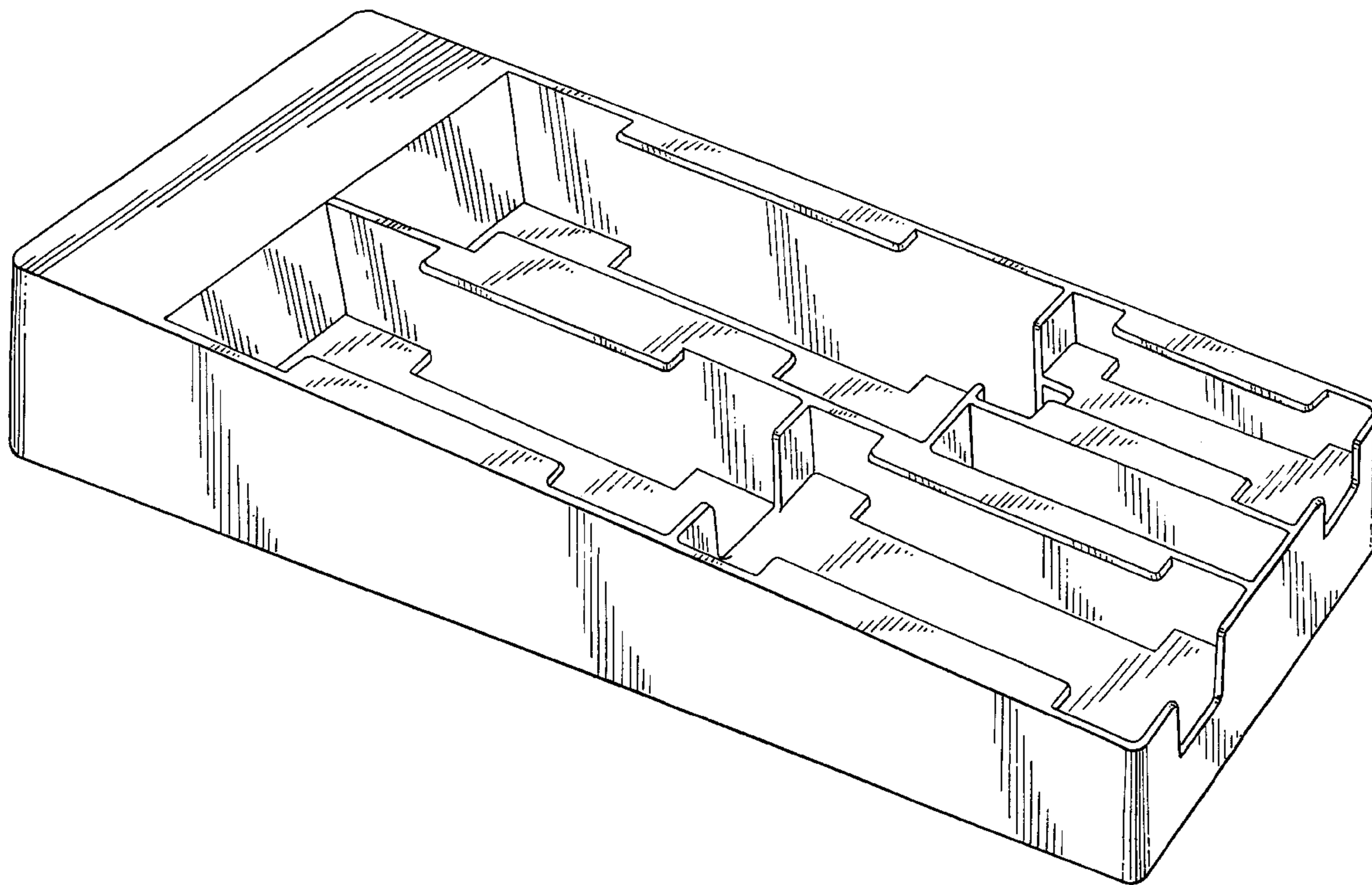


FIG. 1

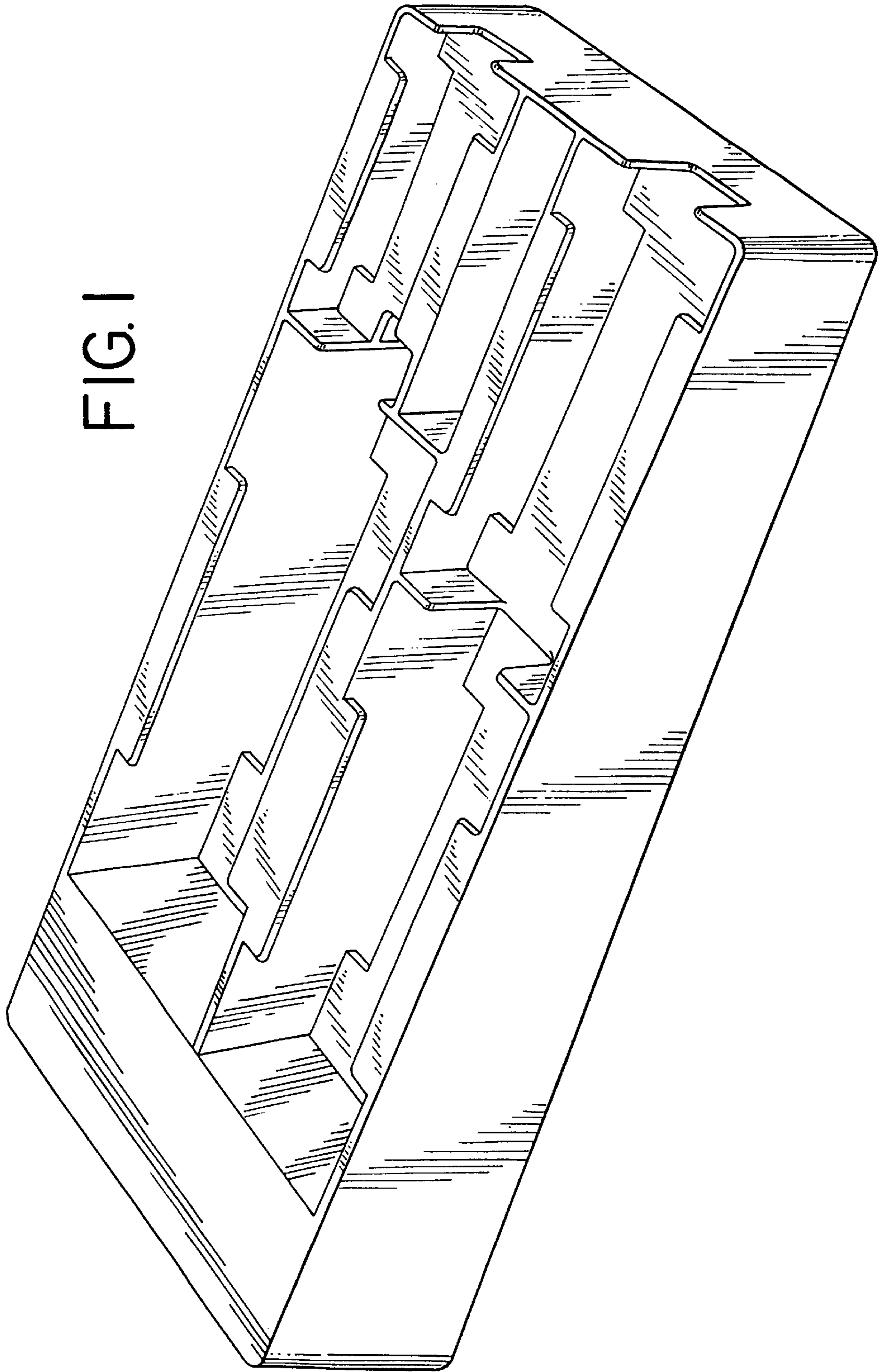


FIG. 2

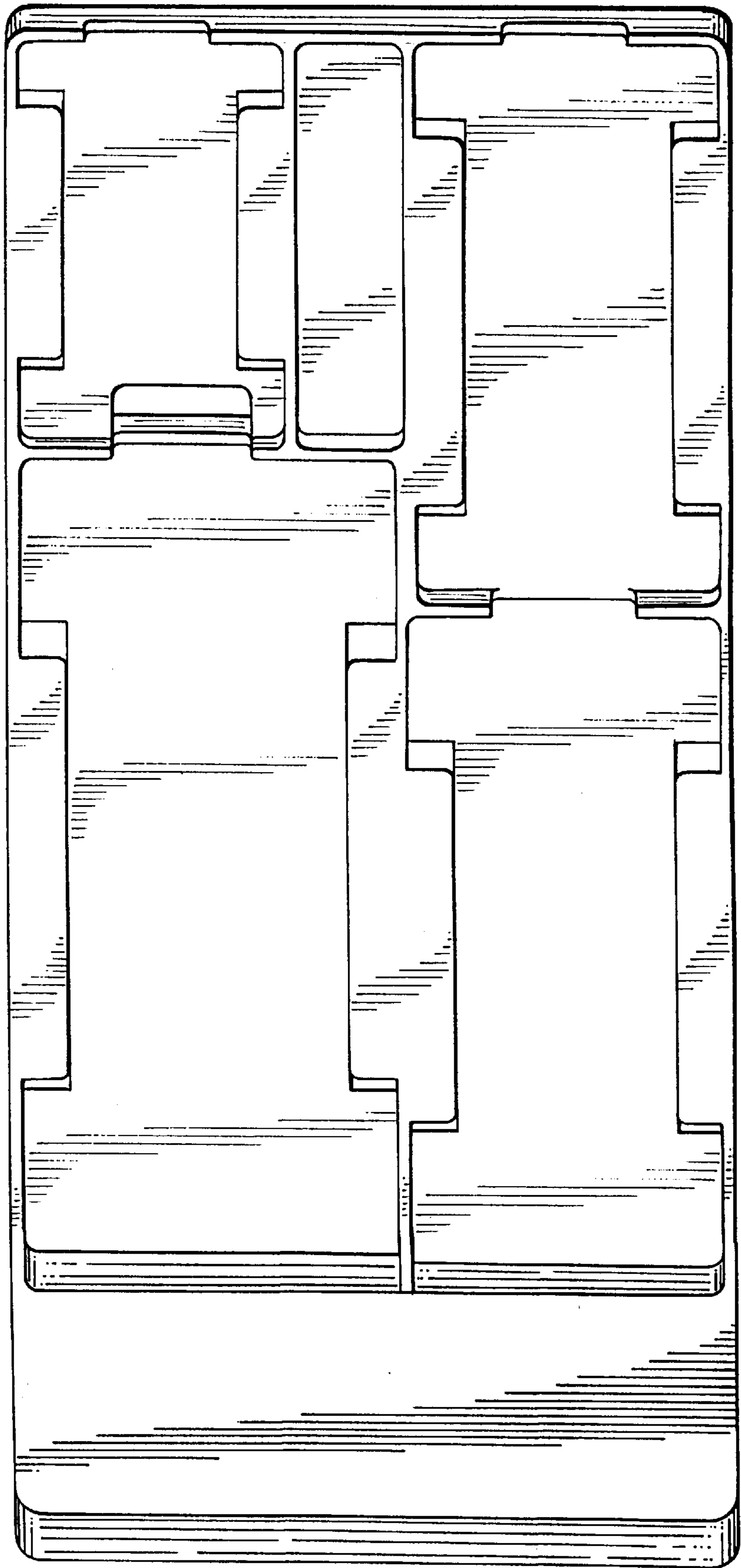


FIG. 3

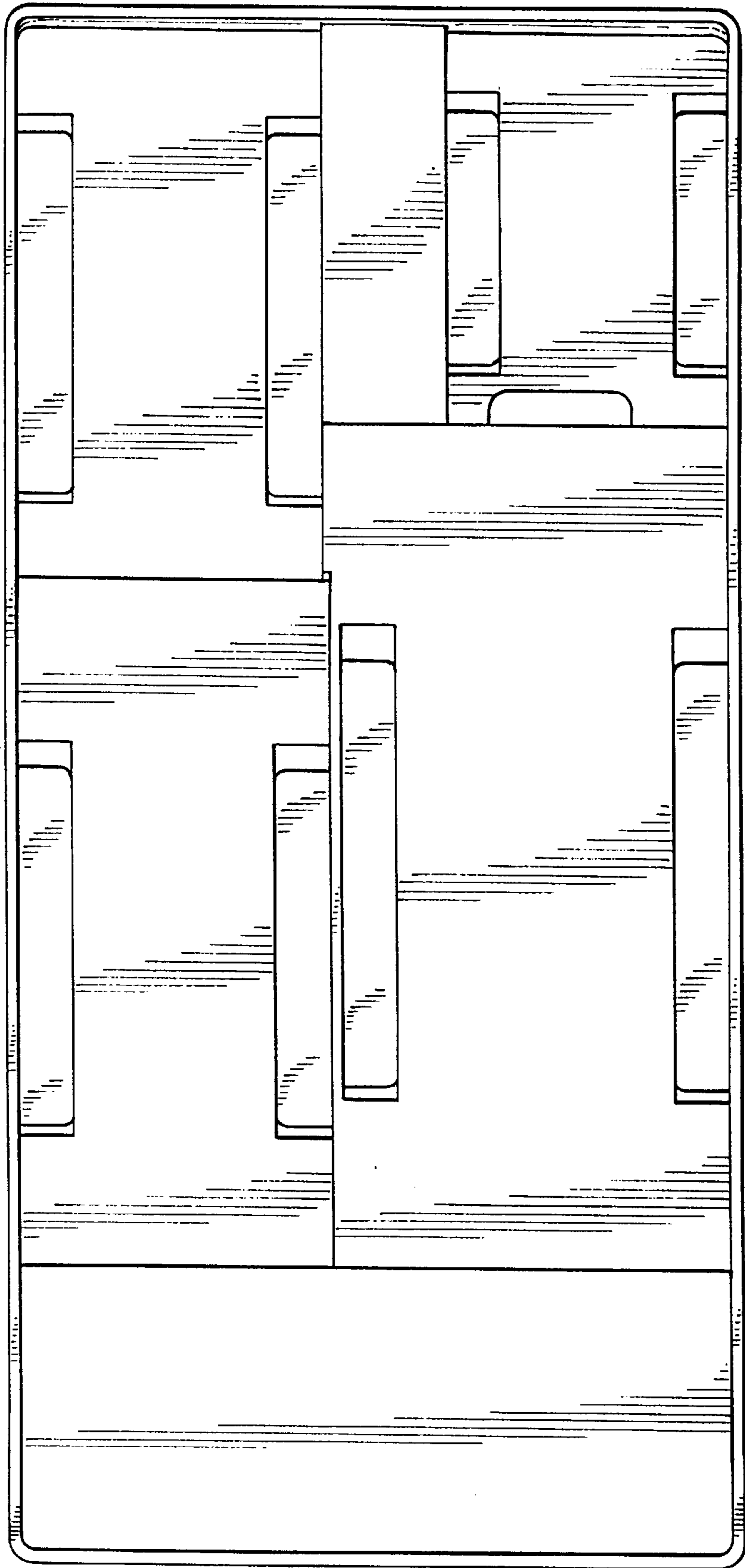


FIG. 4

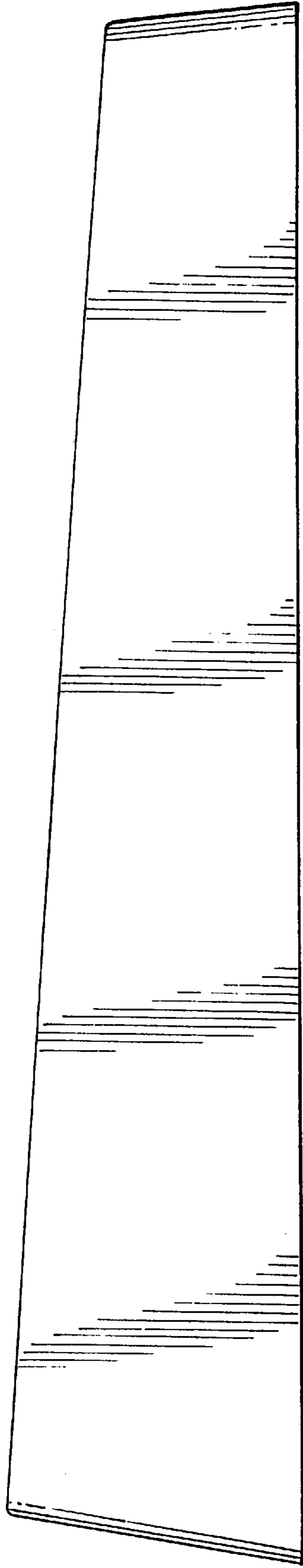


FIG. 6

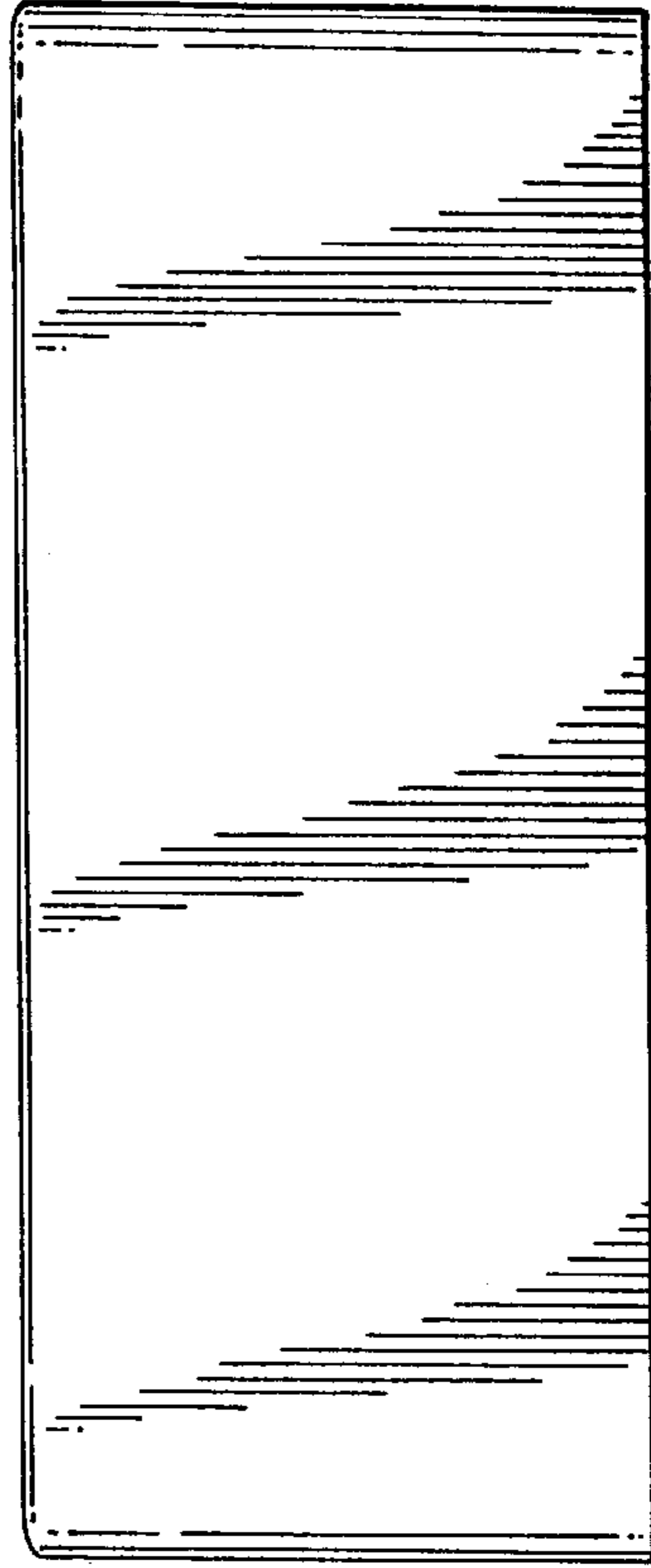


FIG. 5

