



US00D413440S

United States Patent [19]
Schurman

[11] **Patent Number: Des. 413,440**
[45] **Date of Patent: ** Sep. 7, 1999**

[54] **CARRYING CASE WITH INTEGRAL HANDLE**

[75] Inventor: **Peter T. Schurman**, Woodbridge, Conn.

[73] Assignee: **The Plastic Forming Company, Inc.**, Woodbridge, Conn.

[**] Term: **14 Years**

[21] Appl. No.: **29/094,970**

[22] Filed: **Sep. 17, 1998**

Related U.S. Application Data

[62] Division of application No. 29/072,019, Jun. 18, 1997, Pat. No. Des. 406,192.

[51] **LOC (6) Cl.** **03-01**

[52] **U.S. Cl.** **D3/282; D3/276**

[58] **Field of Search** **D3/272, 273, 276, D3/281, 282, 294, 905; 206/349, 372, 373; 190/110, 111, 112, 113, 114, 115**

[56] **References Cited**

U.S. PATENT DOCUMENTS

D. 314,669 2/1991 Kunimune D3/282

D. 321,985 12/1991 Ward D3/282
D. 328,189 7/1992 Hillinger D3/282
D. 351,504 10/1994 Tarozzi D3/273
D. 351,727 10/1994 Tarozzi D3/282
D. 357,117 4/1995 Huang D3/282
D. 358,257 5/1995 Sidabras et al. D3/282
D. 390,358 2/1998 Calmeise D3/282

Primary Examiner—Philip S. Hyder
Attorney, Agent, or Firm—Bachman & LaPointe, P.C.

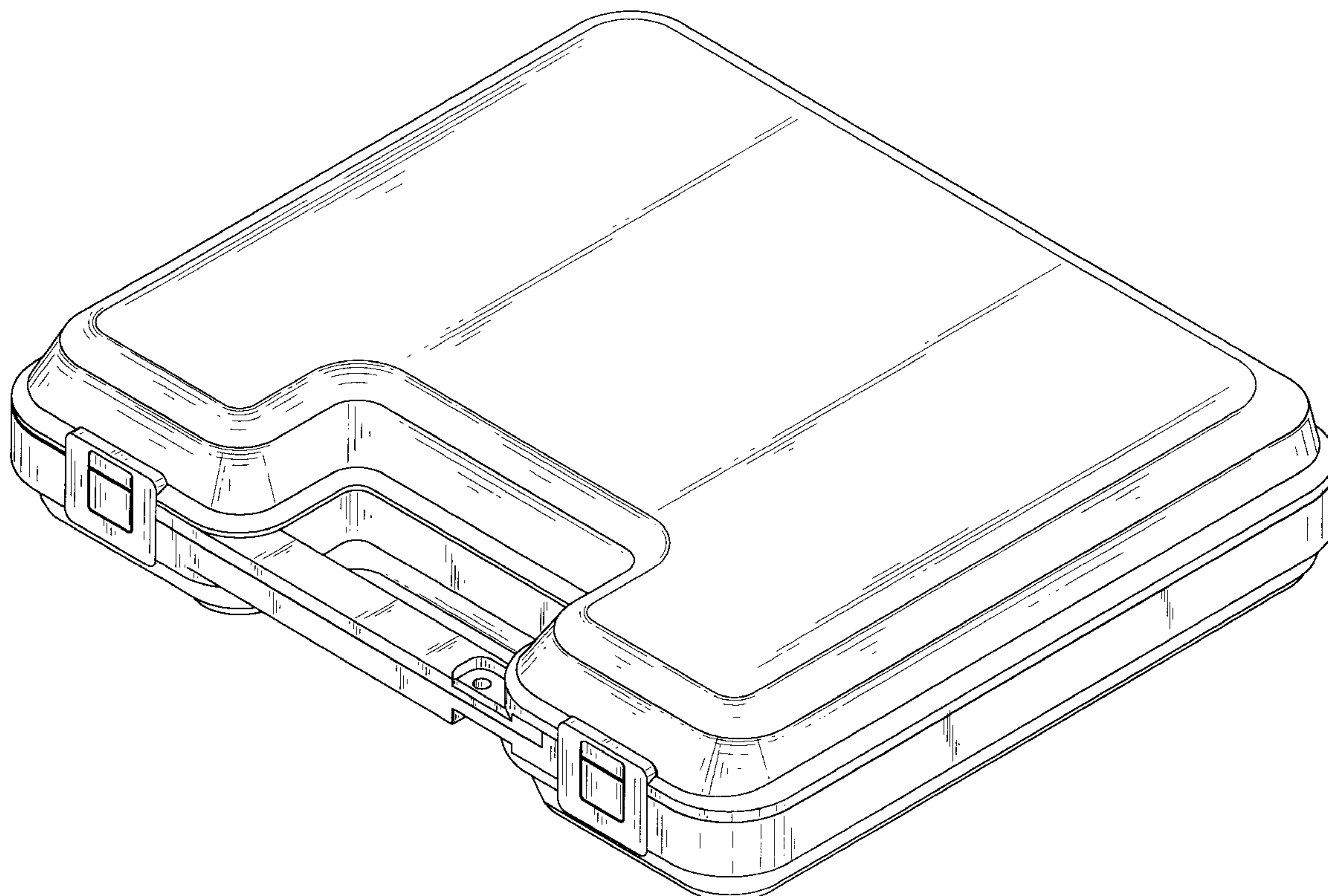
[57] **CLAIM**

The ornamental design for a carrying case with integral handle, as shown and described.

DESCRIPTION

FIG. 1 is a perspective view of the carrying case of the present invention;
FIG. 2 is a front view of the carrying case of FIG. 1;
FIG. 3 is a rear view of the carrying case of FIG. 1;
FIG. 4 is a side view of the carrying case of FIG. 1;
FIG. 5 is a top view of the carrying case of FIG. 1; and,
FIG. 6 is a bottom view of the carrying case of FIG. 1.

1 Claim, 5 Drawing Sheets



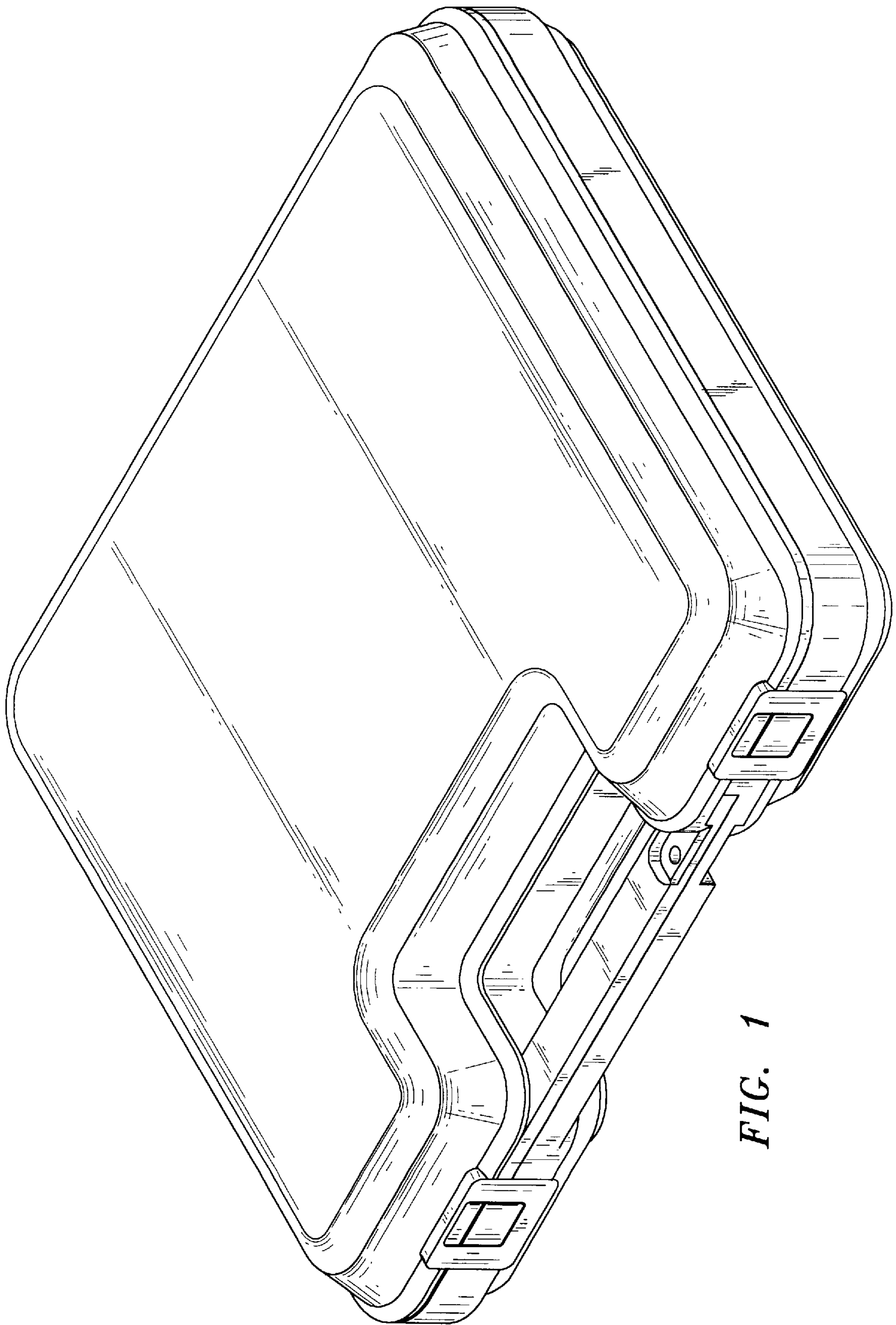


FIG. 1

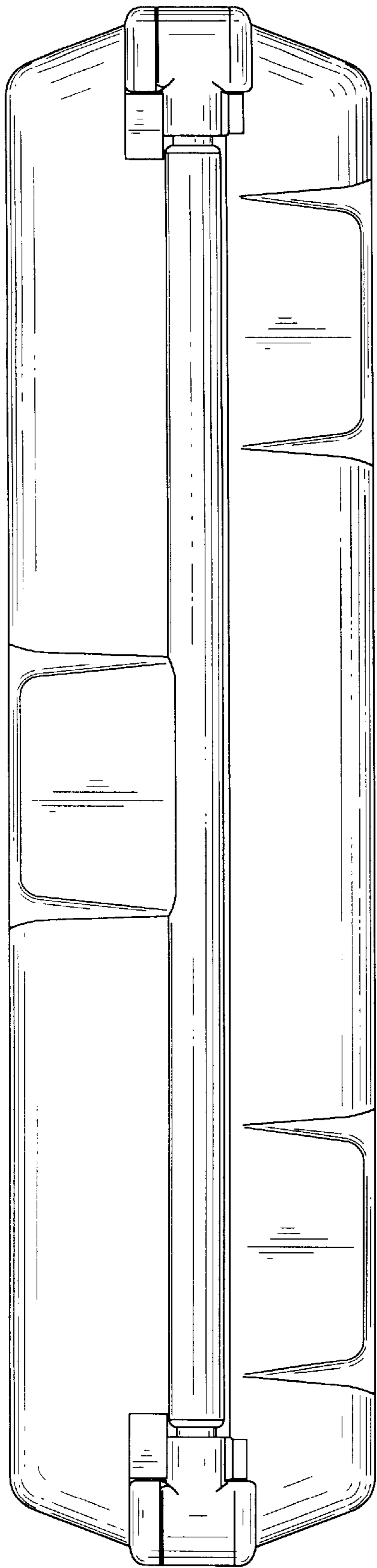


FIG. 3

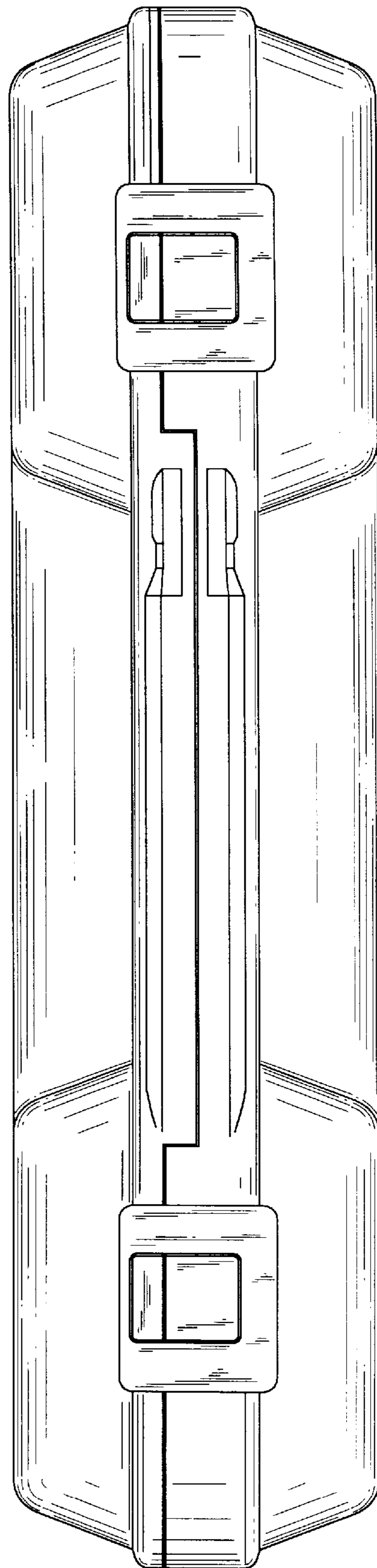


FIG. 2

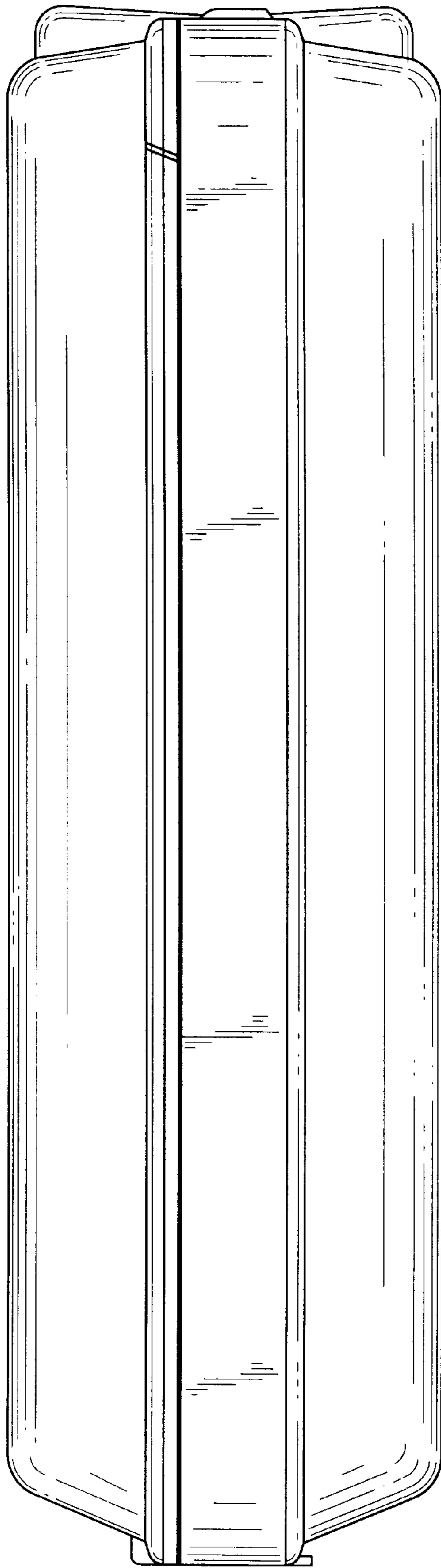


FIG. 4

FIG. 5

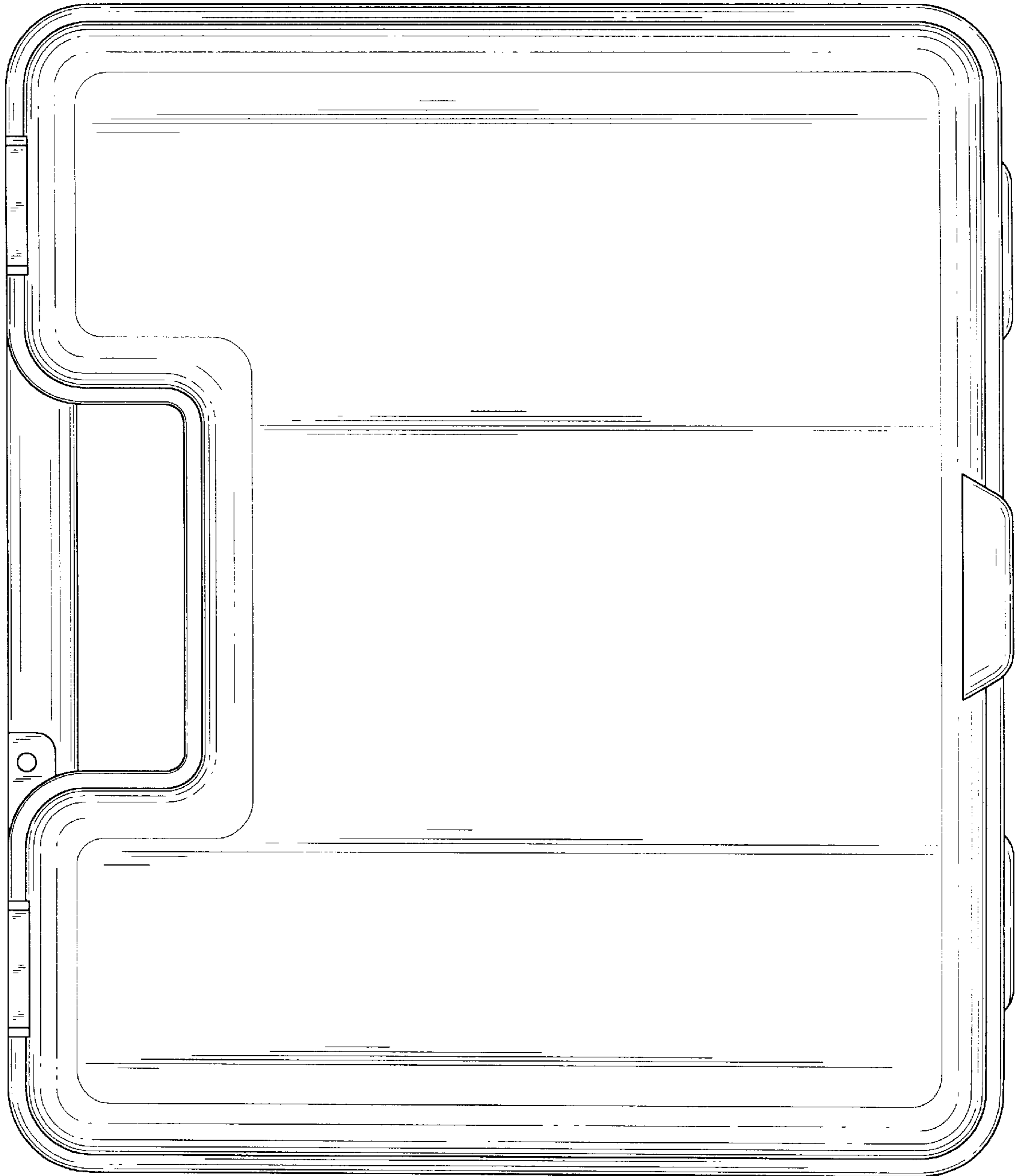


FIG. 6

