



US00D413435S

United States Patent [19]

Chapman et al.

[11] Patent Number: Des. 413,435

[45] Date of Patent: ** Sep. 7, 1999

[54] **HOLSTER FOR CAMERA**

5,251,800 10/1993 Leenders 224/908

[75] Inventors: **Steven S. Chapman**, Corfu; **James G. Rydelek**, Henrietta, both of N.Y.

Primary Examiner—Adir Aronovich
Attorney, Agent, or Firm—Roger A. Fields

[73] Assignee: **Eastman Kodak Company**, Rochester, N.Y.

[57] **CLAIM**

[**] Term: **14 Years**

The ornamental design for a holster for camera, as shown and described.

[21] Appl. No.: **29/099,563**

DESCRIPTION

[22] Filed: **Jan. 22, 1999**

[51] **LOC (6) Cl.** **03-01**

[52] **U.S. Cl.** **D3/219; D3/226; D16/237;**
224/908

[58] **Field of Search** D3/215, 218, 219,
D3/224, 226, 267; D16/237, 242; 206/316.2;
224/666, 908; 396/419

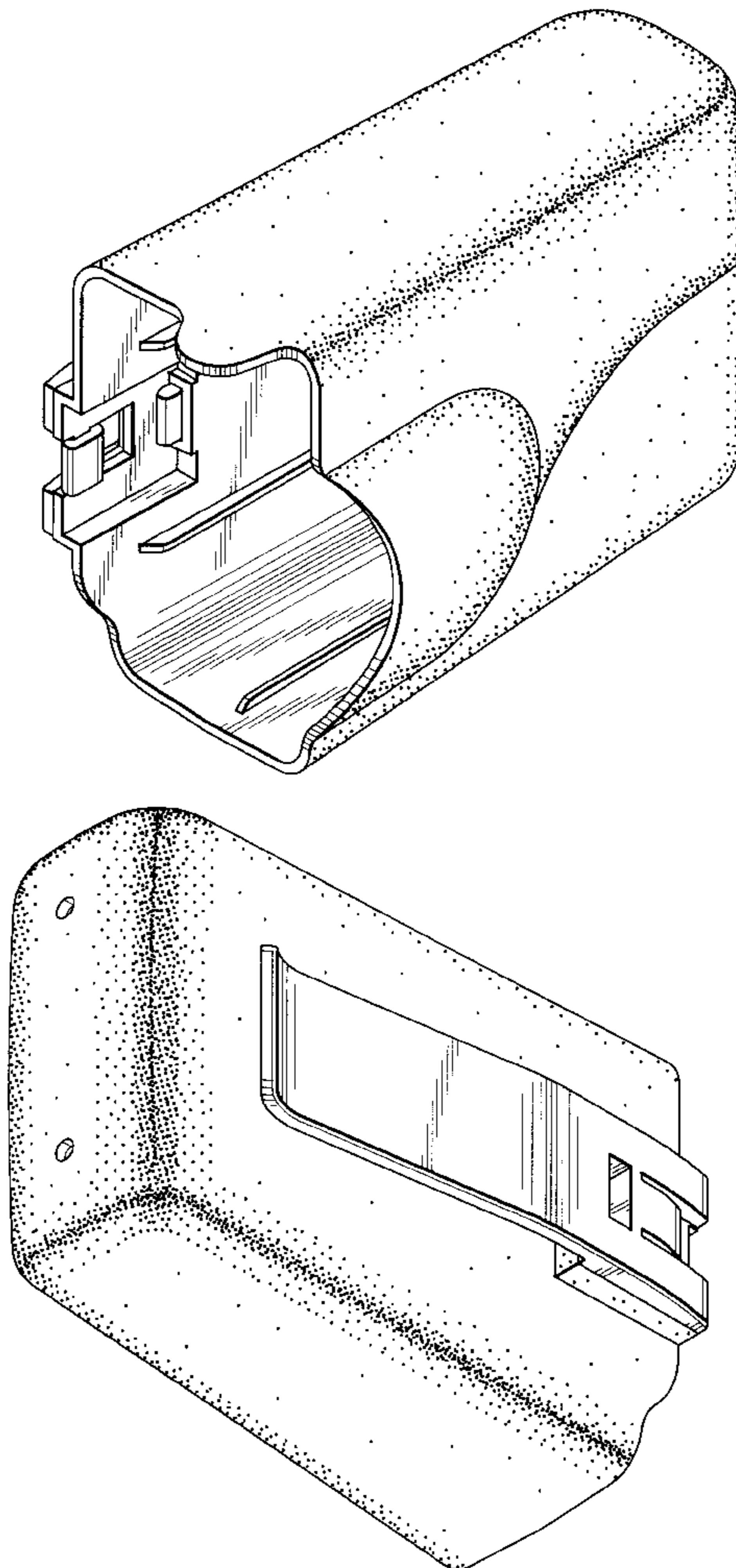
FIG. 1 is a top, front, left-side, perspective view of a holster for camera (not shown) according to our new design; FIG. 2 is a bottom, rear, right-side, perspective view thereof; FIG. 3 is a front elevation view thereof; FIG. 4 is a rear elevation view thereof; FIG. 5 is a top plan view thereof; FIG. 6 is a bottom plan view thereof; FIG. 7 is a right-side elevation view thereof; FIG. 8 is a left-side elevation view thereof; FIG. 9 is a top, front, left-side, perspective view thereof, with the camera shown in broken lines for illustration purposes only forming no part of the claimed design; and, FIG. 10 is a bottom, rear, right-side, perspective view thereof.

[56] **References Cited**

U.S. PATENT DOCUMENTS

D. 239,986	5/1976	Artz	D3/226
D. 345,761	4/1994	Bolds	D3/226
D. 354,620	1/1995	King et al.	D3/218
3,813,017	5/1974	Pimsleur	224/908

1 Claim, 10 Drawing Sheets



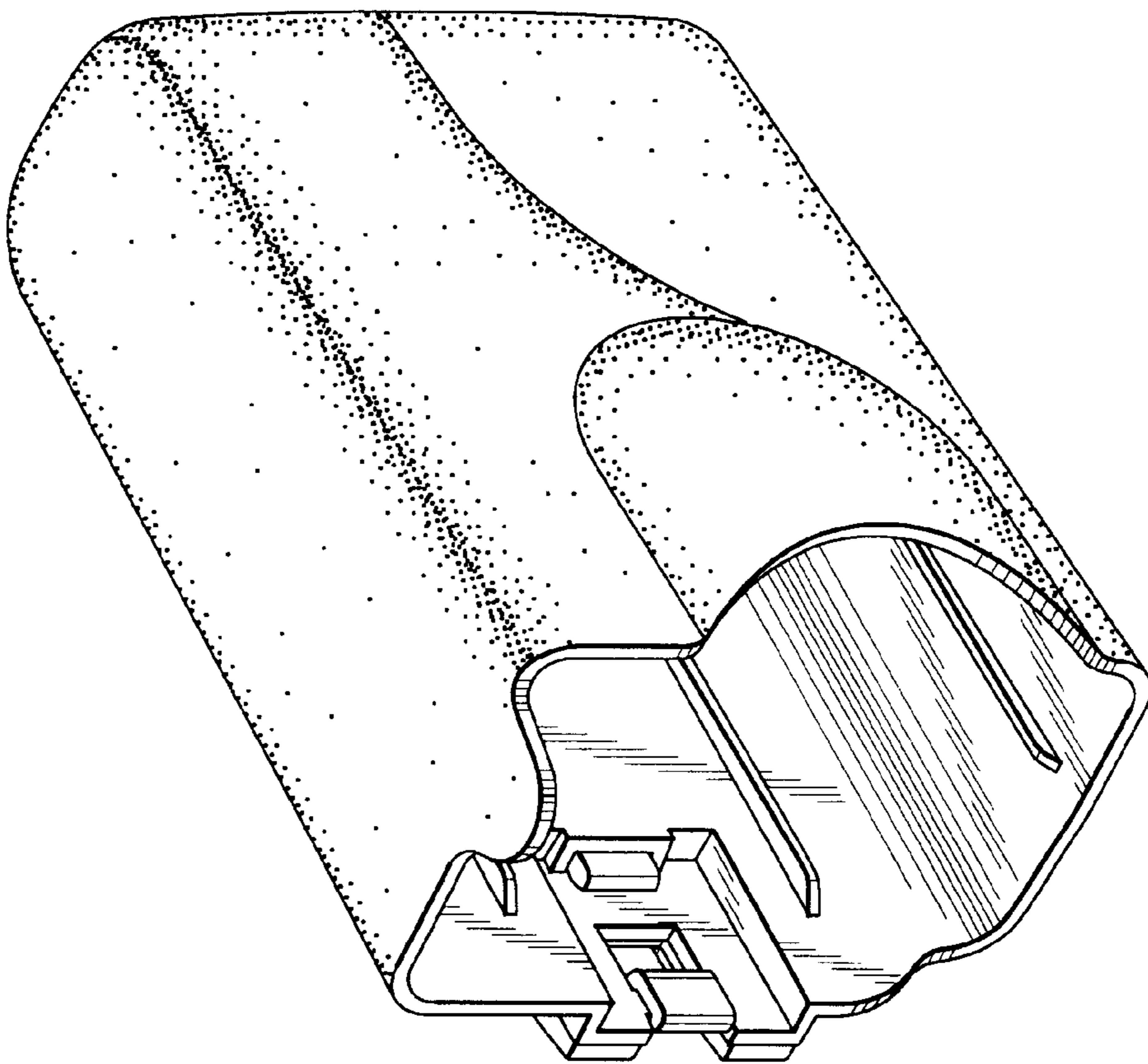


FIG. 1

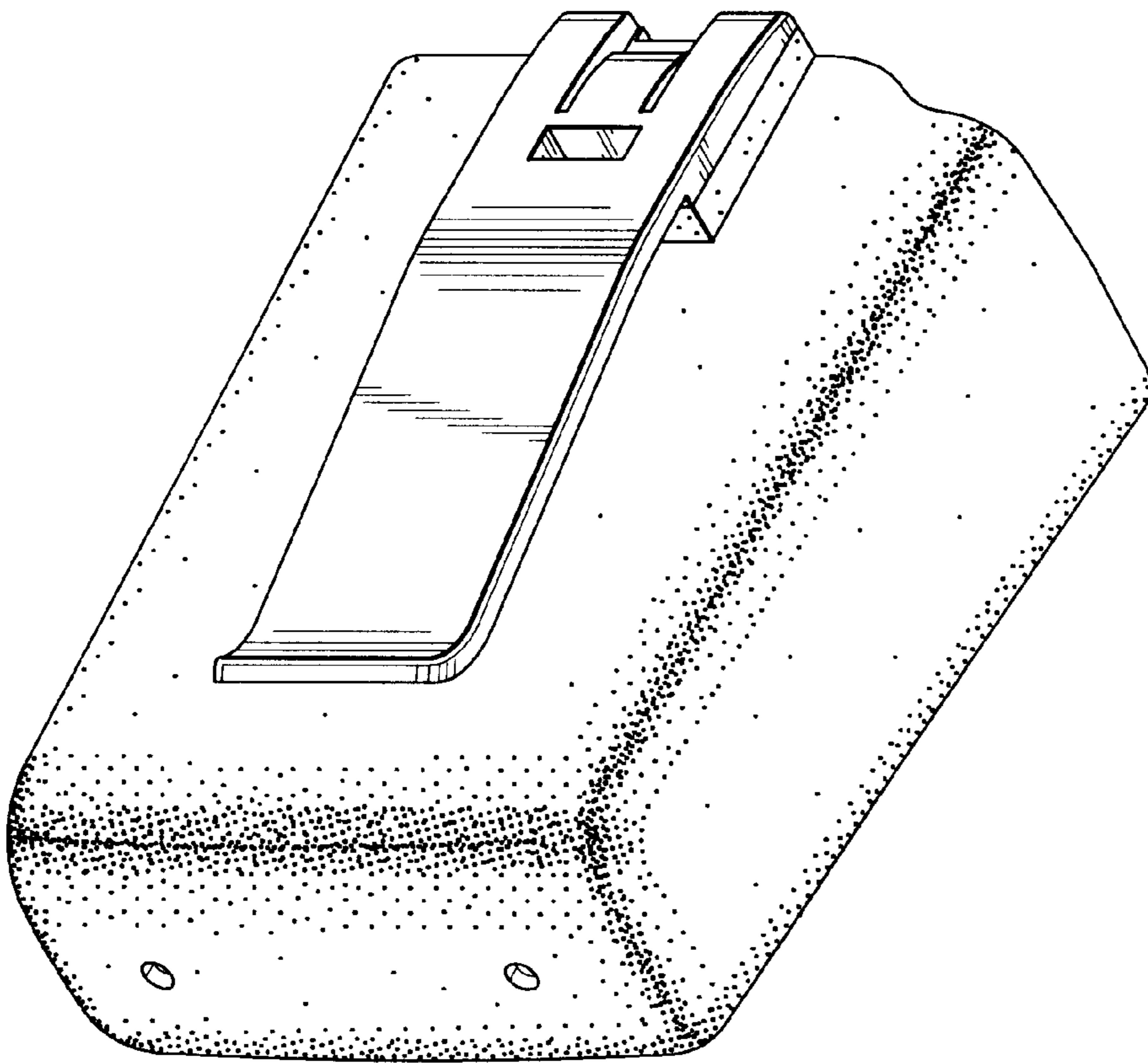


FIG. 2

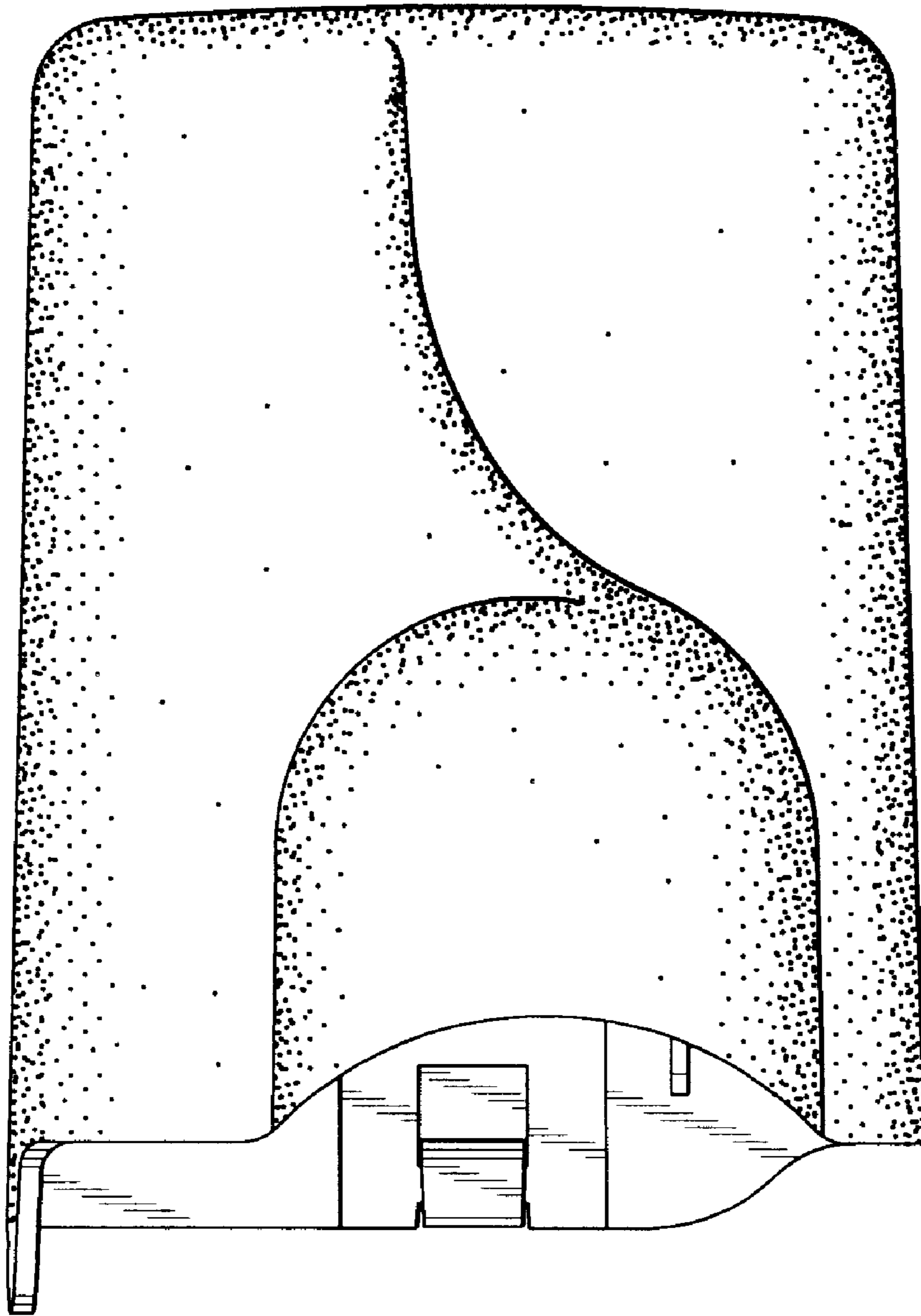


FIG. 3

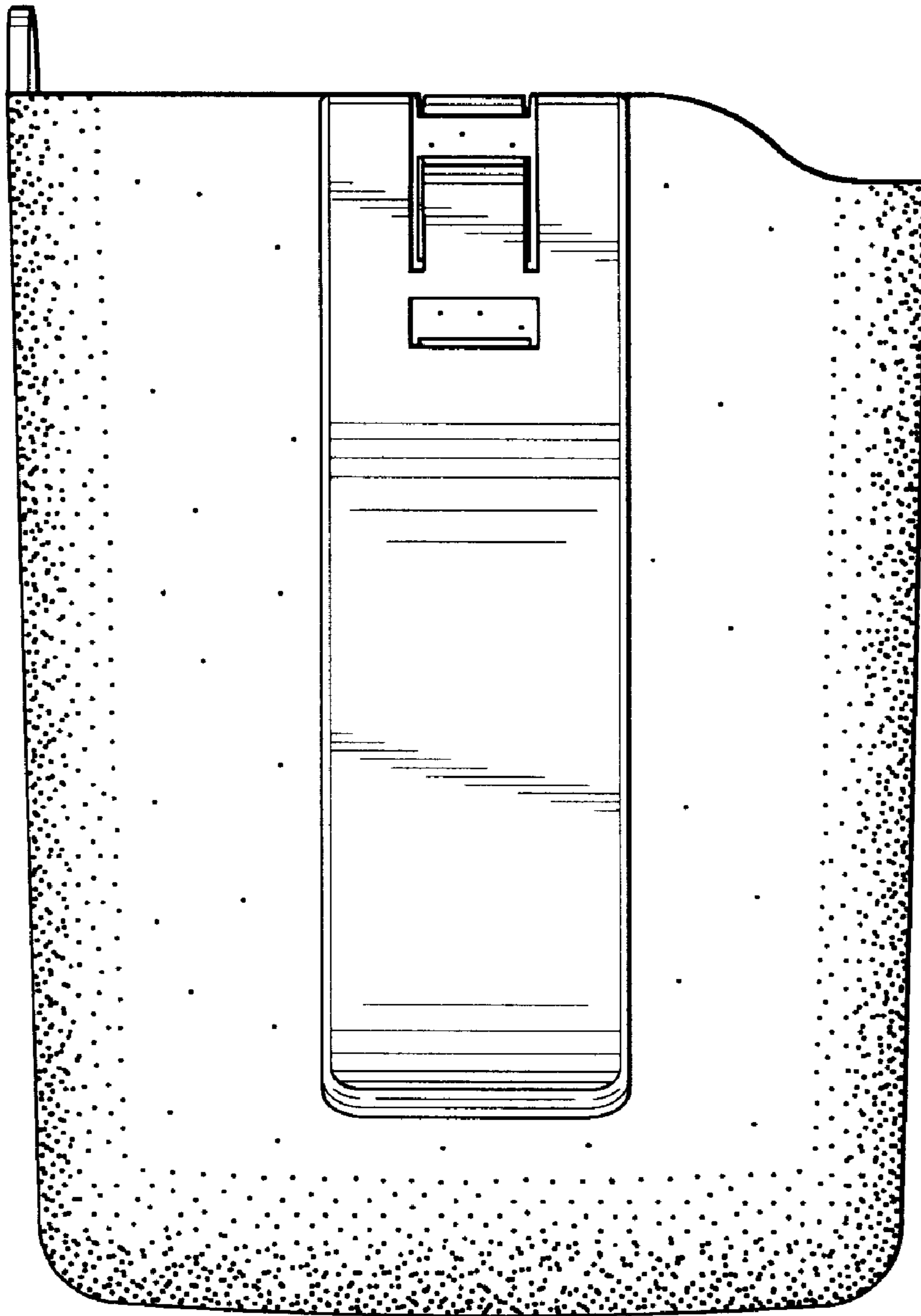


FIG. 4

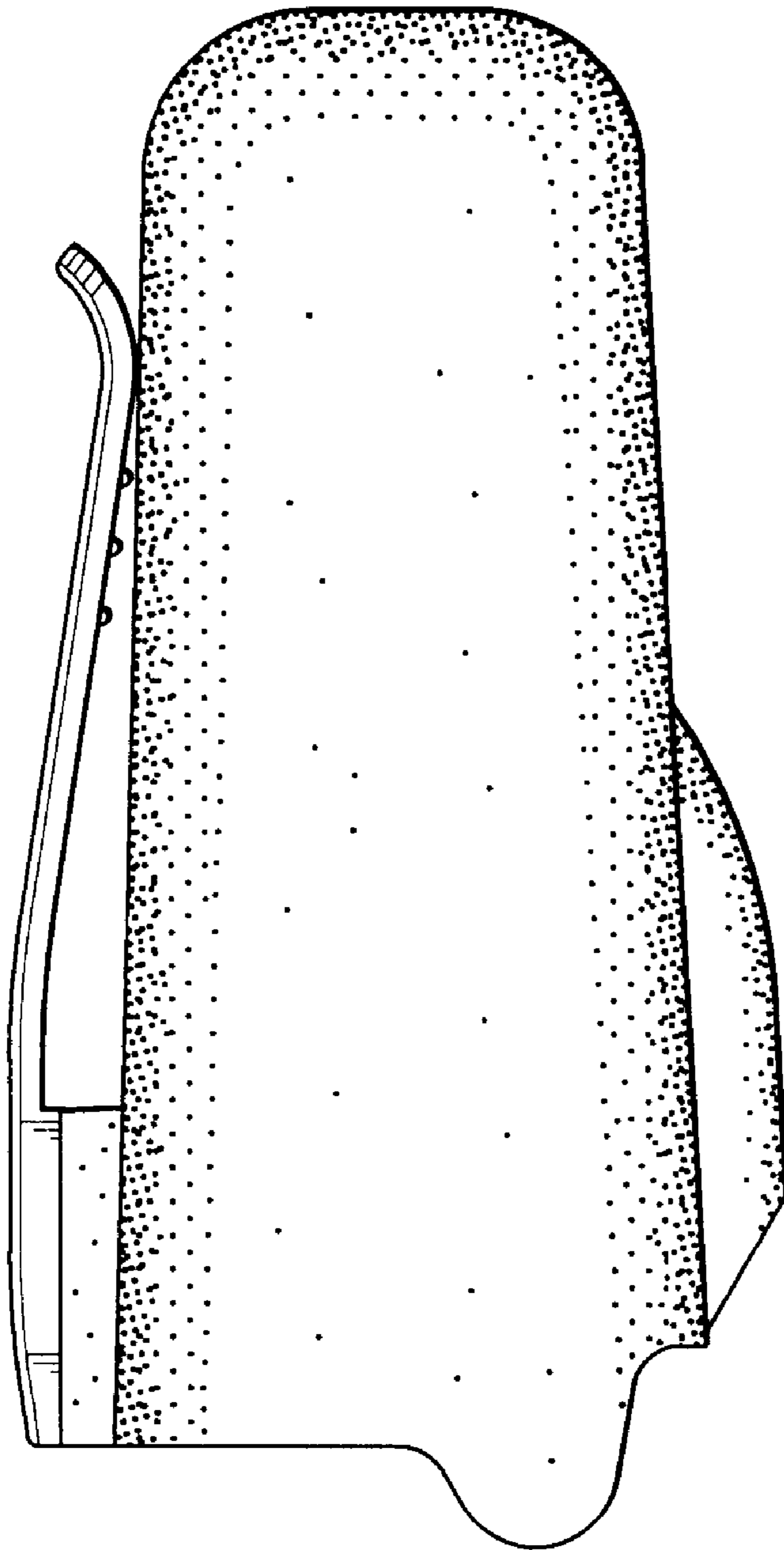


FIG. 5

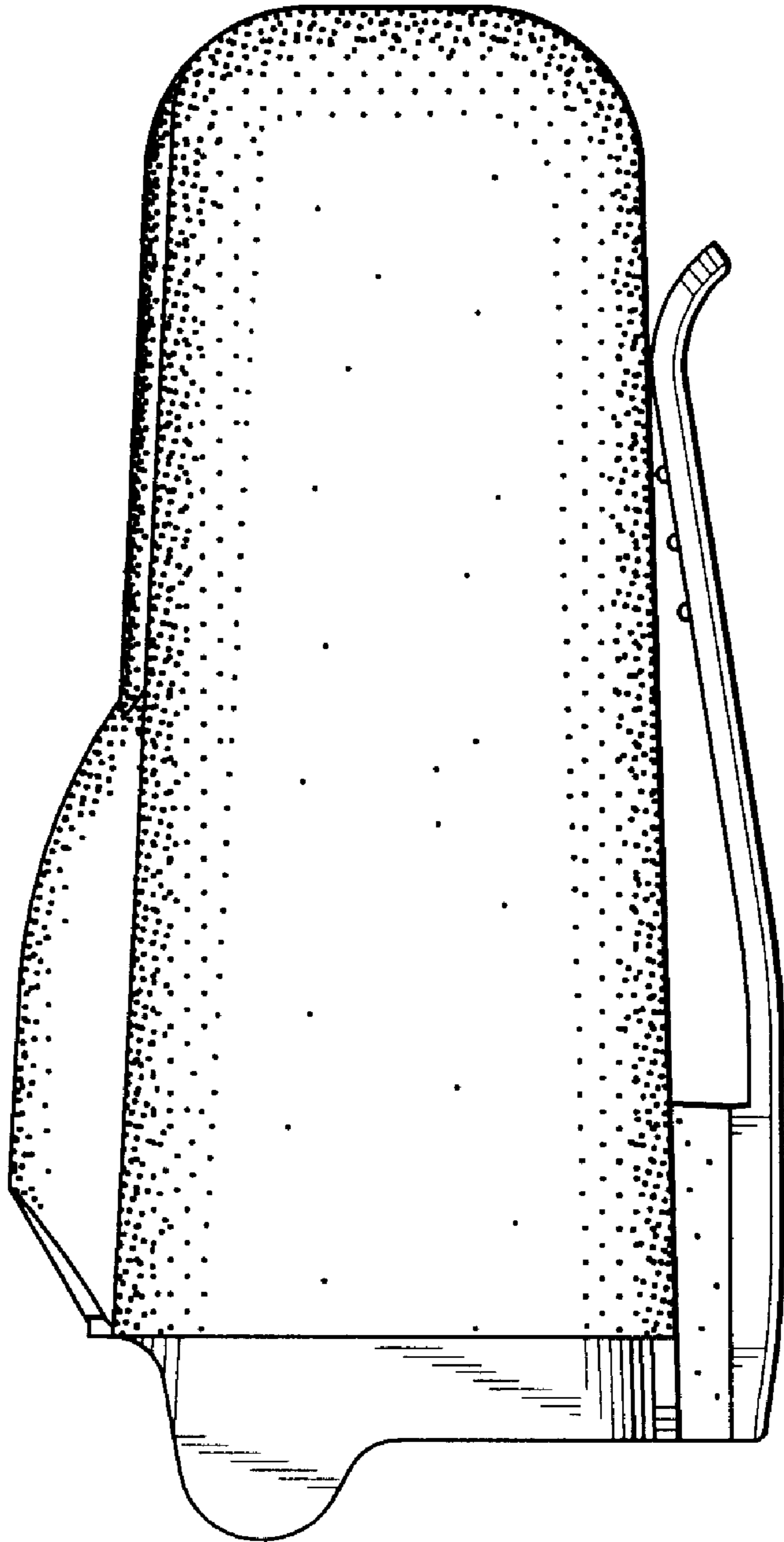


FIG. 6

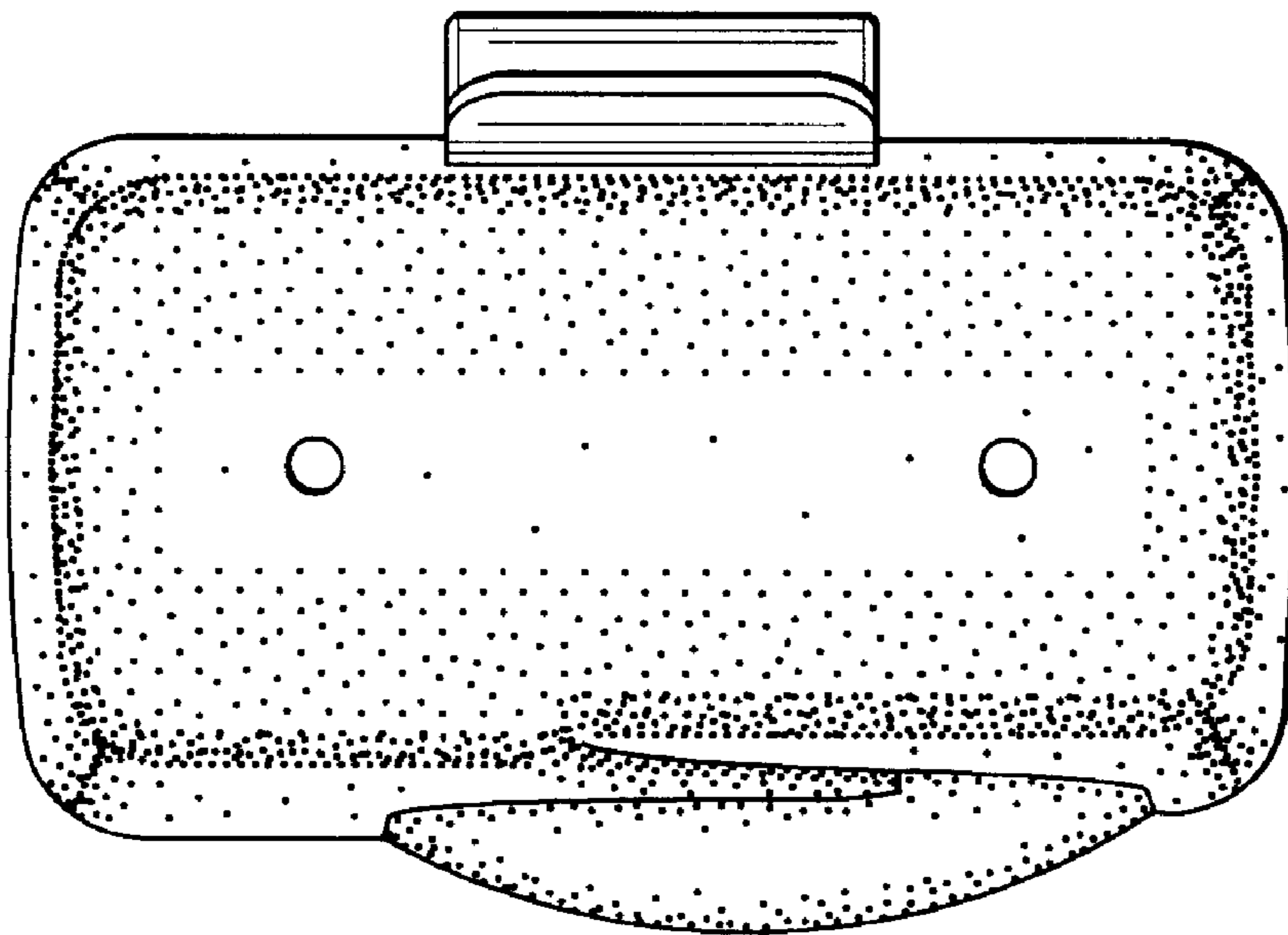


FIG. 7

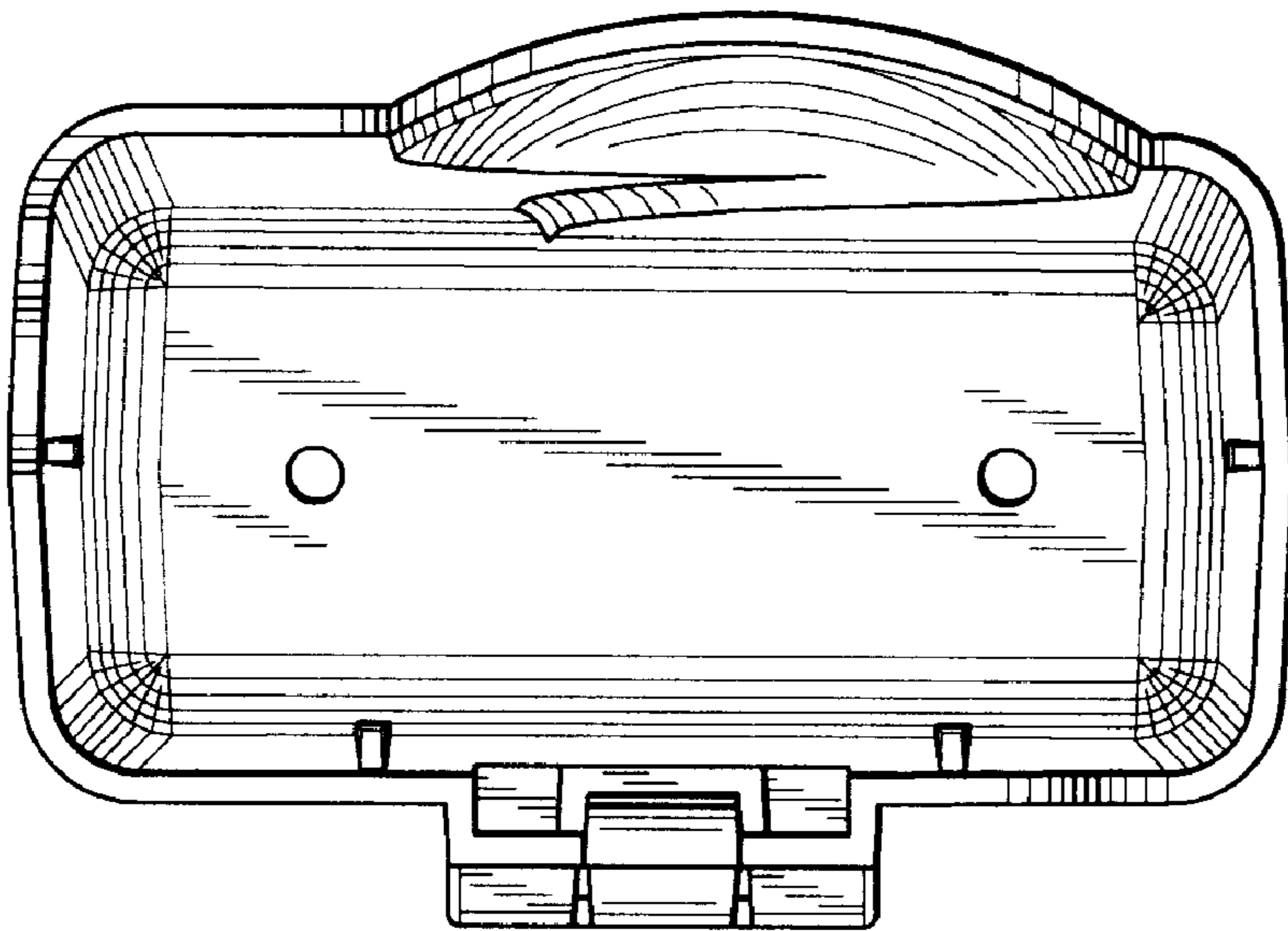


FIG. 8

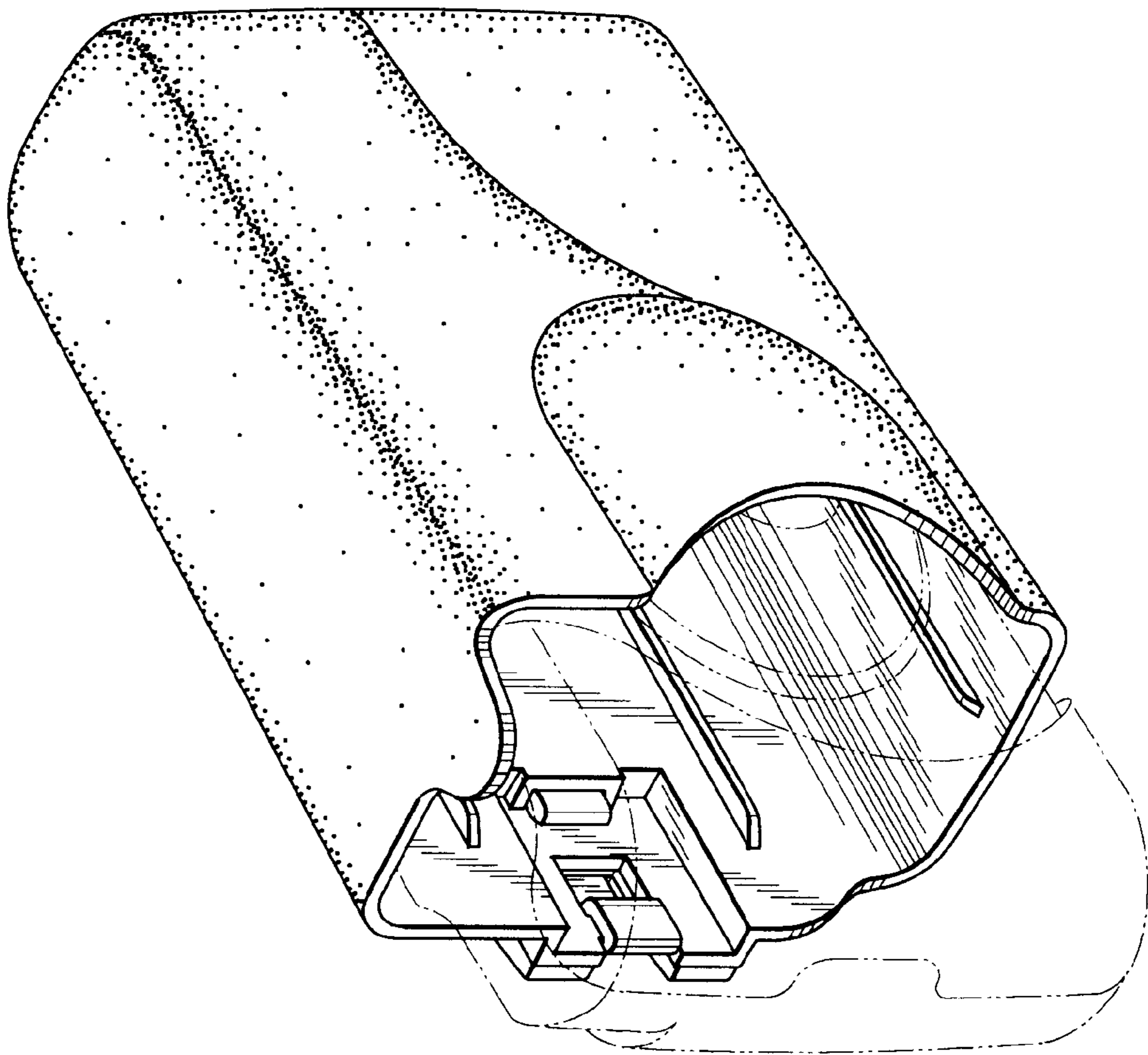


FIG. 9

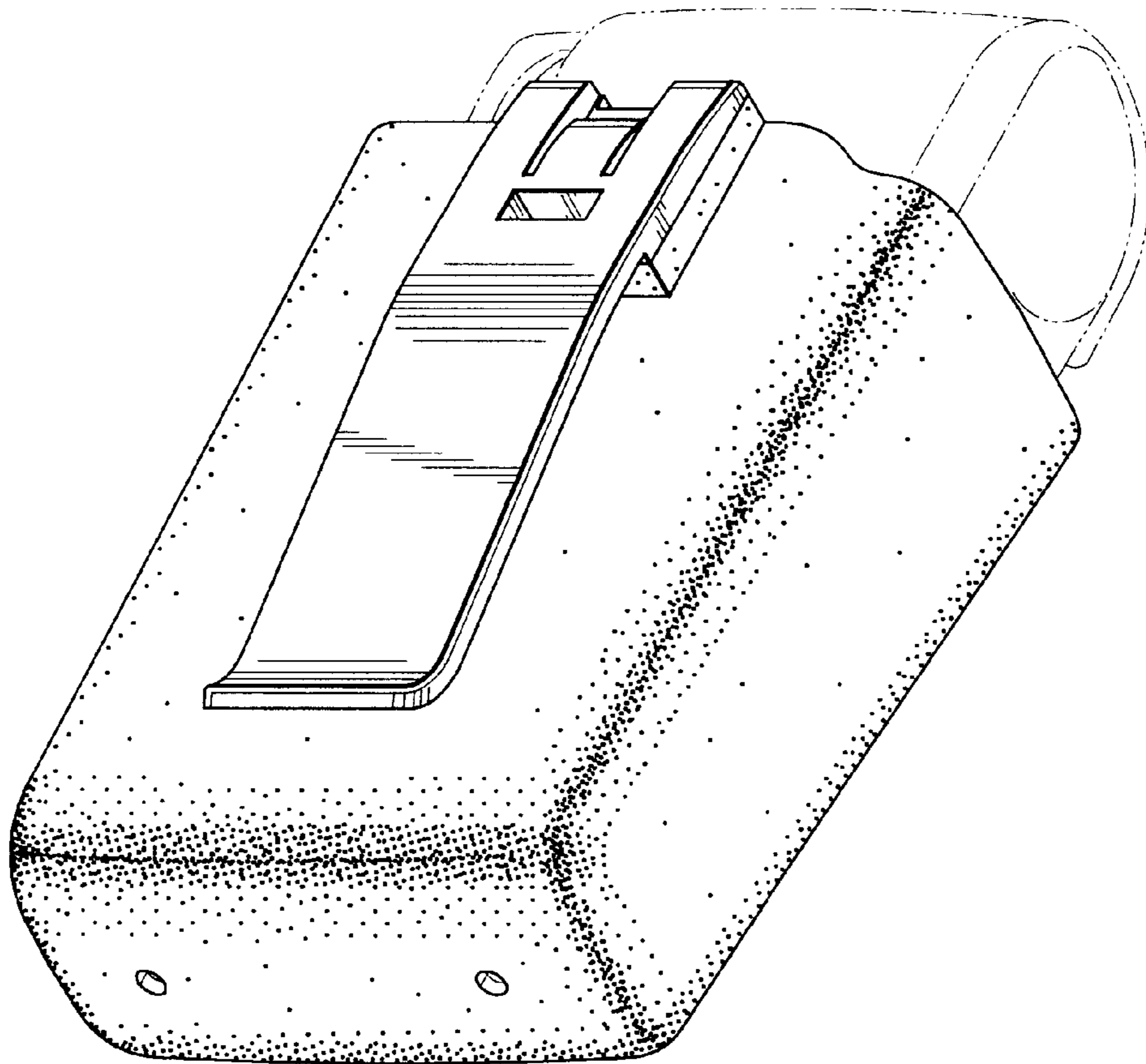


FIG. 10