



US00D413434S

United States Patent [19]

Nielson et al.

[11] Patent Number: Des. 413,434

[45] Date of Patent: ** Sep. 7, 1999

[54] JEWELRY BELT CLIP

[75] Inventors: David Nielson, Oviedo; Karalyn S. Viers, Orlando, both of Fla.

[73] Assignee: Z Jewelry, Inc., Winter Park, Fla.

[**] Term: 14 Years

[21] Appl. No.: 29/088,042

[22] Filed: May 14, 1998

[51] LOC (6) Cl. 03-01

[52] U.S. Cl. D3/215

[58] Field of Search D3/215, 207-212, D3/228; D2/624, 639; 24/3.1, 3.6, 3.11, 67.11, 552, 555; D11/200, 201, 202, 204, 205, 78.1; D19/65; D32/34, 61, 62; 70/459; 116/234, 235; 63/21; D20/17, 18, 29; 224/667, 904, 163, 236, 240, 255

[56] References Cited

U.S. PATENT DOCUMENTS

D. 145,377	8/1946	Broadwell	D32/61
D. 214,195	5/1969	Weick	D32/61
D. 322,459	12/1991	Pimienta	D19/34
D. 355,931	2/1995	Levi	D19/65
D. 373,141	8/1996	Dolbow	D19/34
1,778,428	10/1930	Morehouse	D19/65

Primary Examiner—Louis S. Zarfaz
Assistant Examiner—Catherine R. Oliver

Attorney, Agent, or Firm—Allen, Dyer, Doppelt, Milbrath & Gilchrist, P.A.

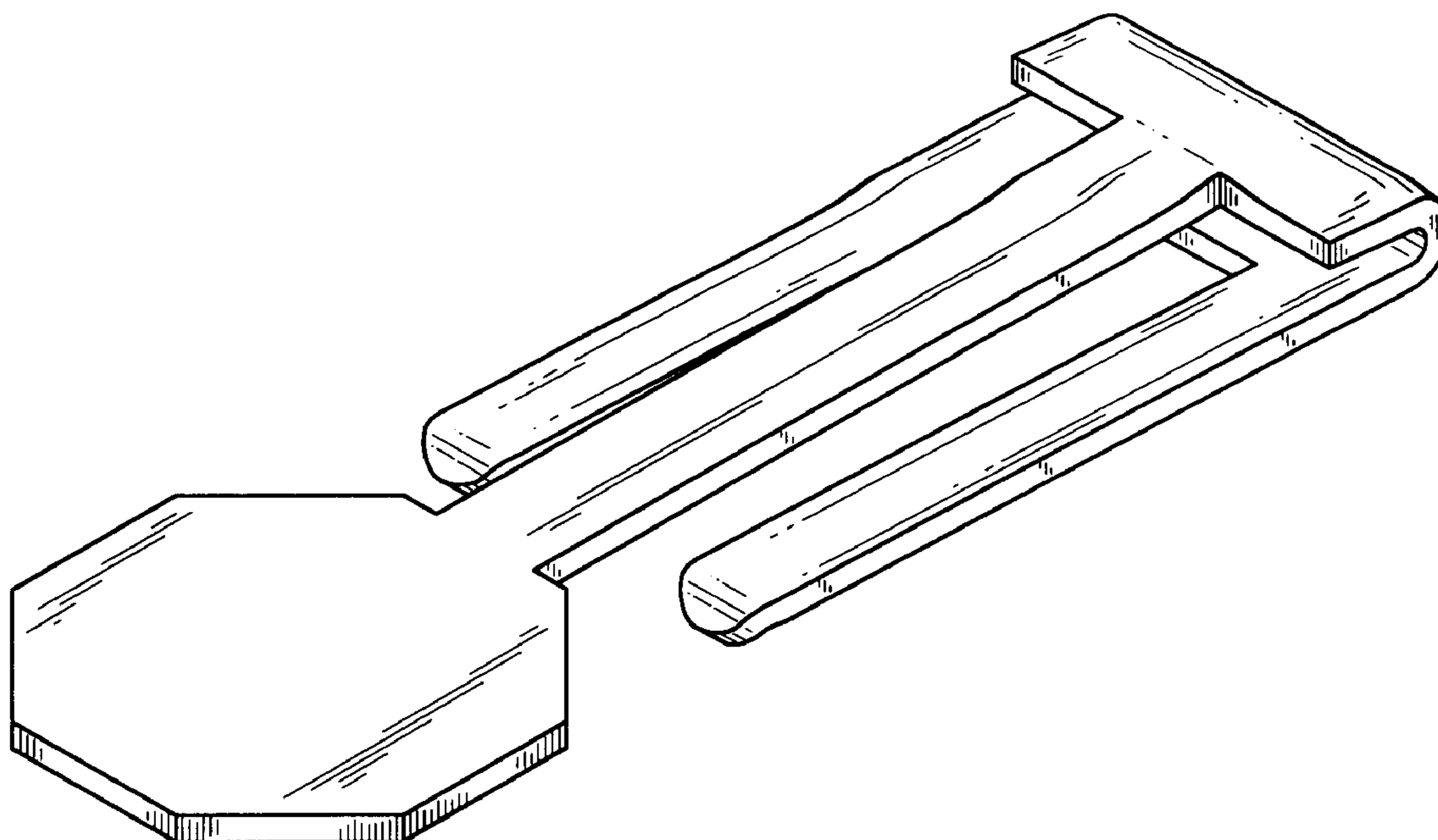
[57] CLAIM

The ornamental design for a jewelry belt clip, as shown and described.

DESCRIPTION

FIG. 1 is a top front perspective view of the jewelry belt clip design;
 FIG. 2 is a front view;
 FIG. 3 is a rear view;
 FIG. 4 is a side view;
 FIG. 5 is a top view;
 FIG. 6 is a bottom view;
 FIG. 7 is a top front perspective view of the alternate embodiment of the jewelry belt clip design depicted in FIG. 1;
 FIG. 8 is a front view of the alternate embodiment of the jewelry belt clip design;
 FIG. 9 is a rear view of the alternate embodiment of the jewelry belt clip design;
 FIG. 10 is a side view of the alternate embodiment of the jewelry belt clip design;
 FIG. 11 is a top view of the alternate embodiment of the jewelry belt clip design; and,
 FIG. 12 is a bottom view of the alternate embodiment of the jewelry belt clip design.

1 Claim, 2 Drawing Sheets



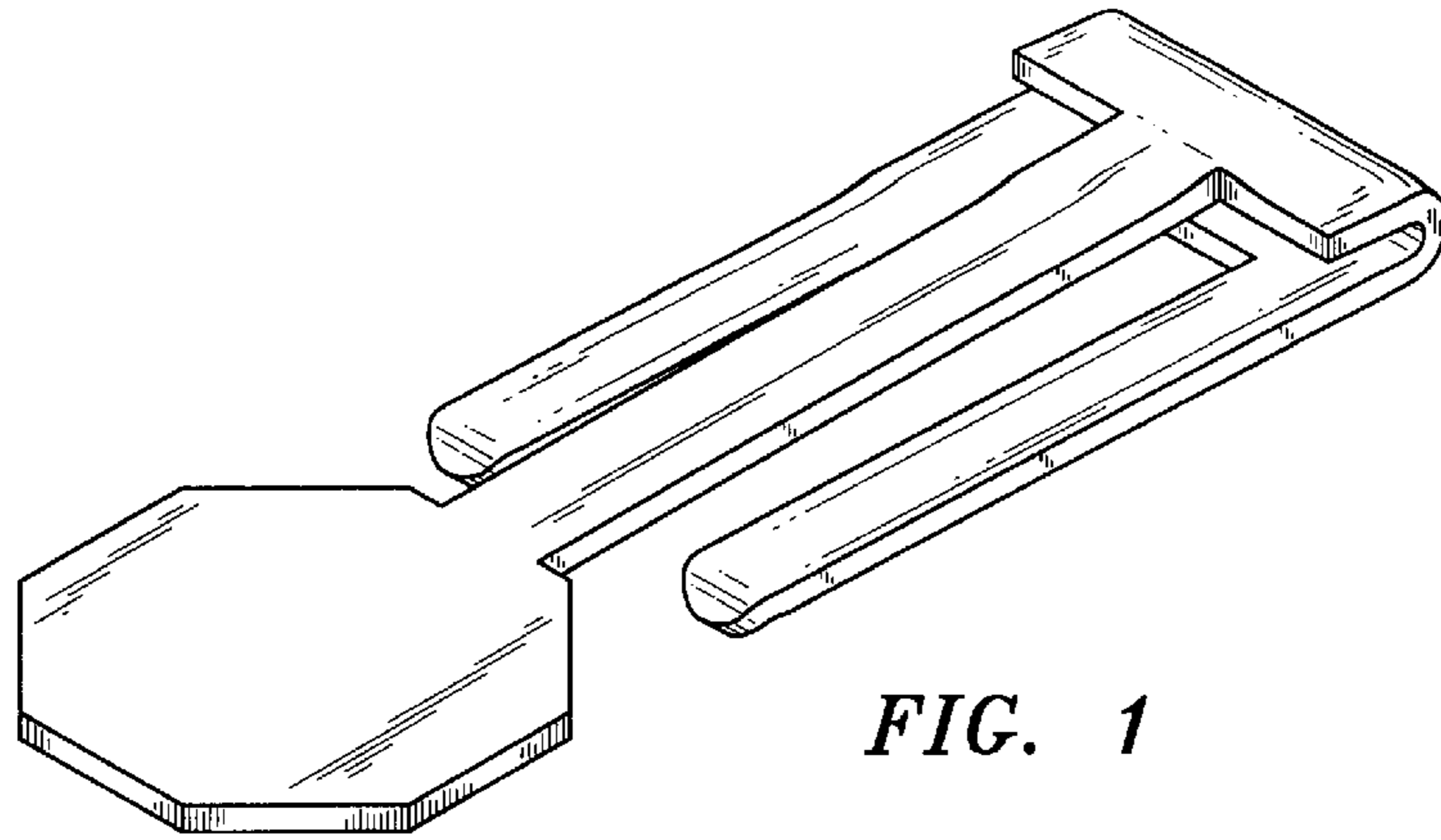


FIG. 1

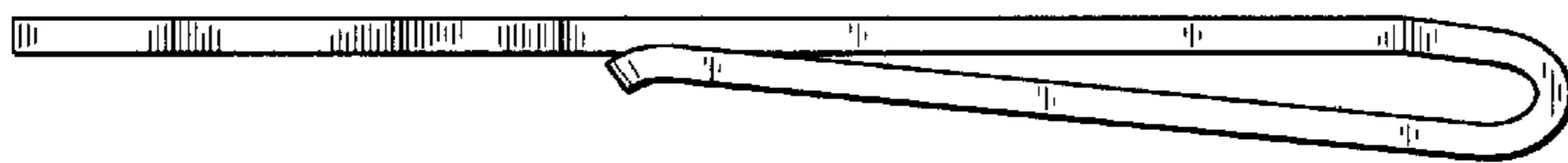


FIG. 4

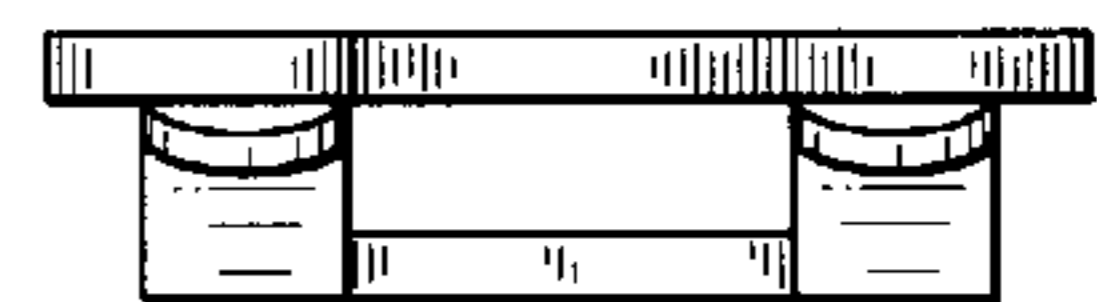


FIG. 2

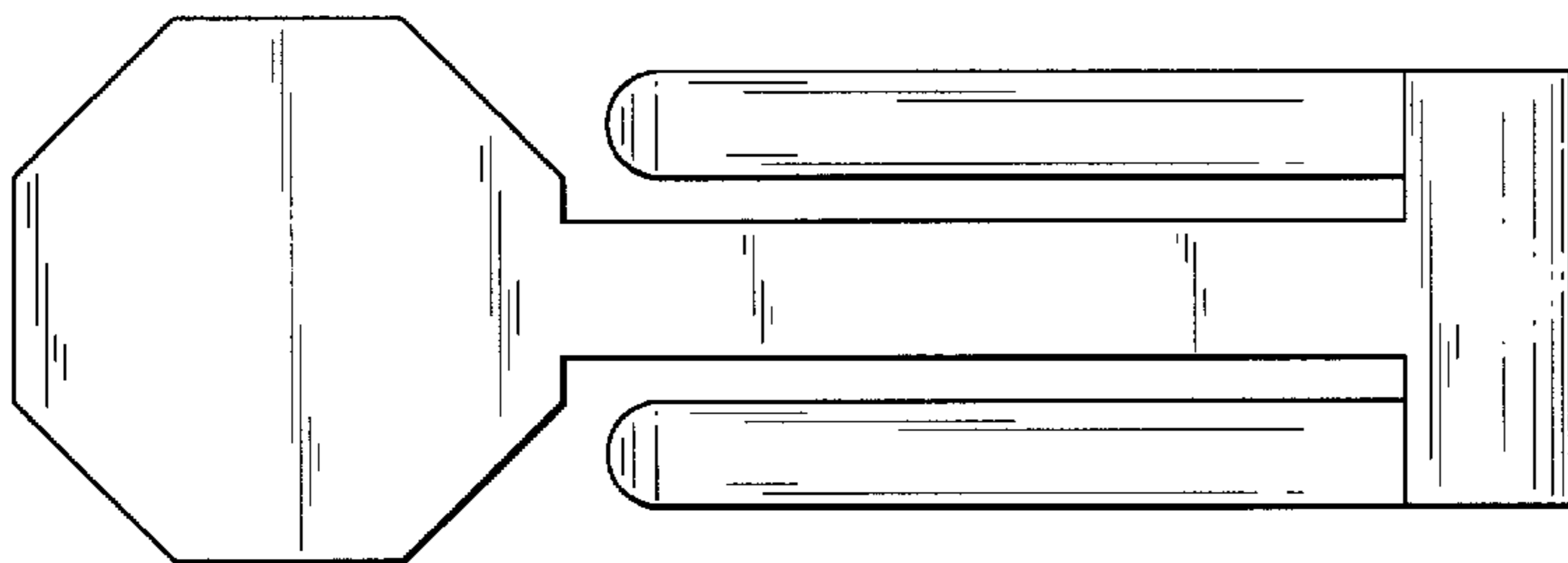


FIG. 5

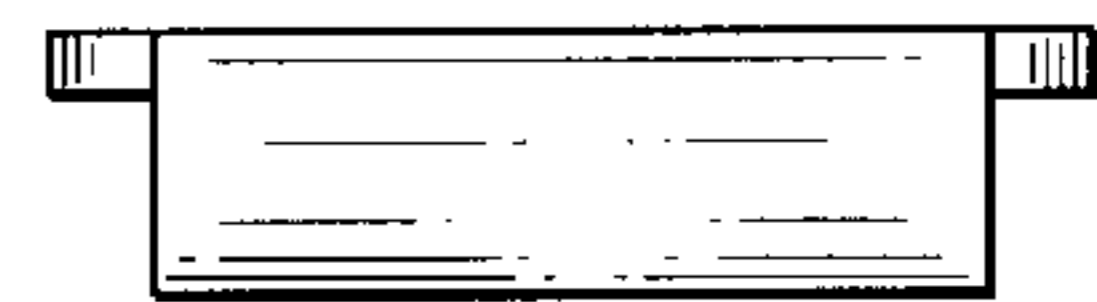


FIG. 3

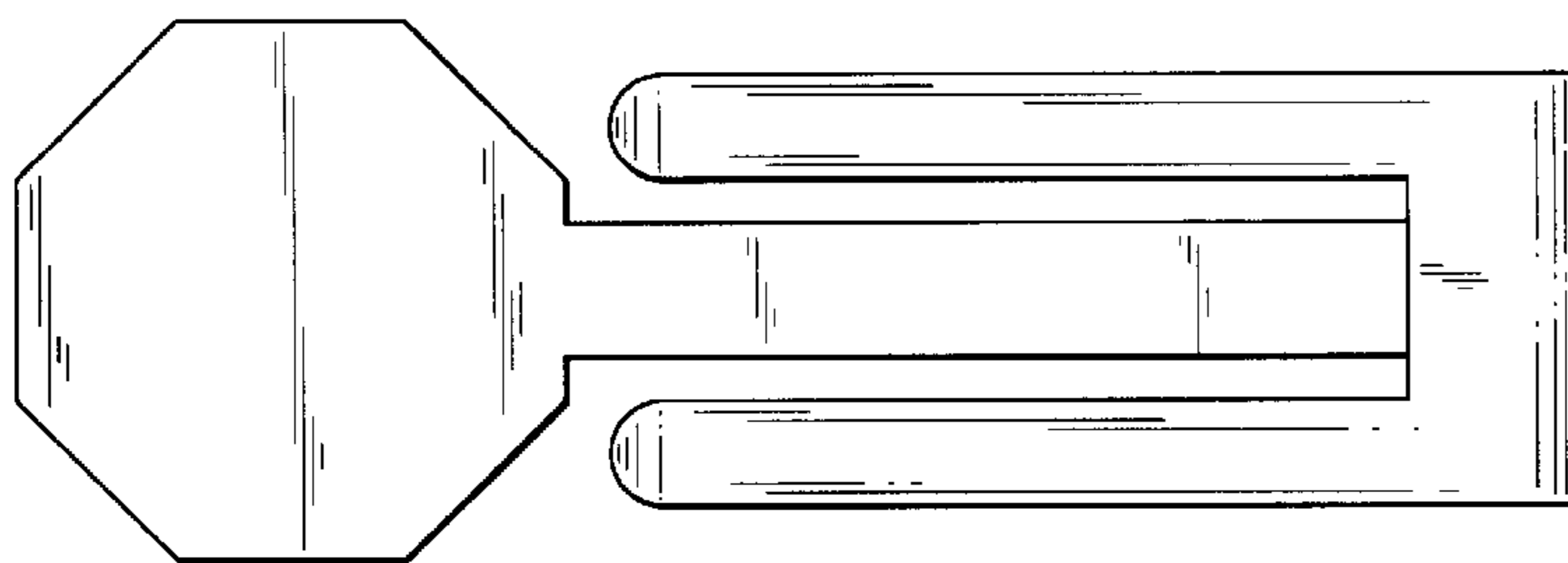


FIG. 6

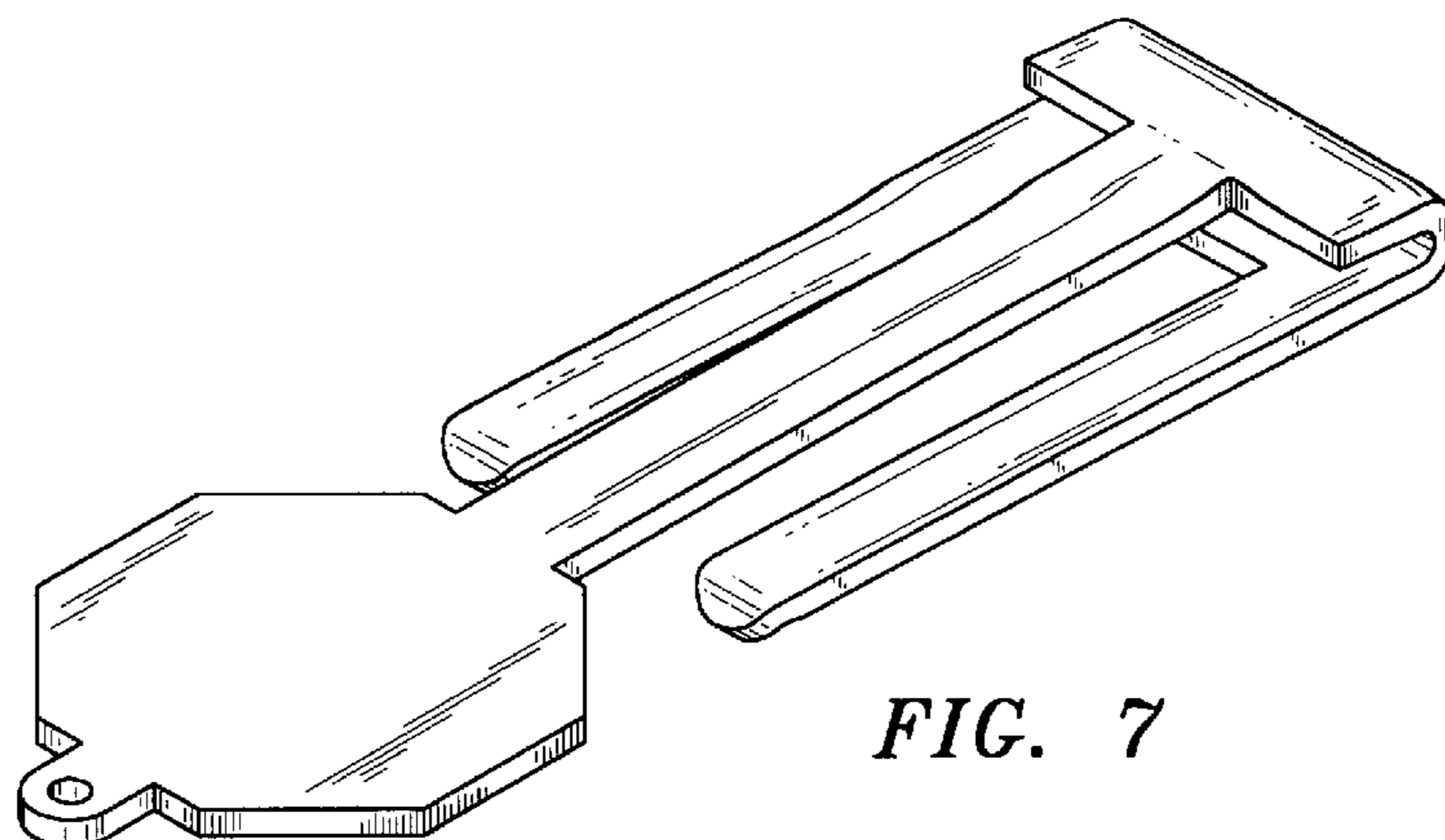


FIG. 7

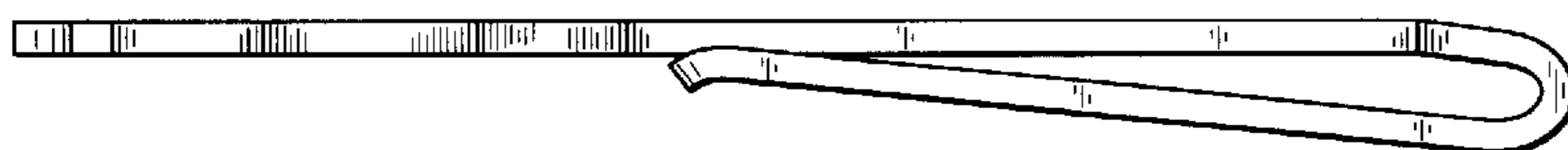


FIG. 10

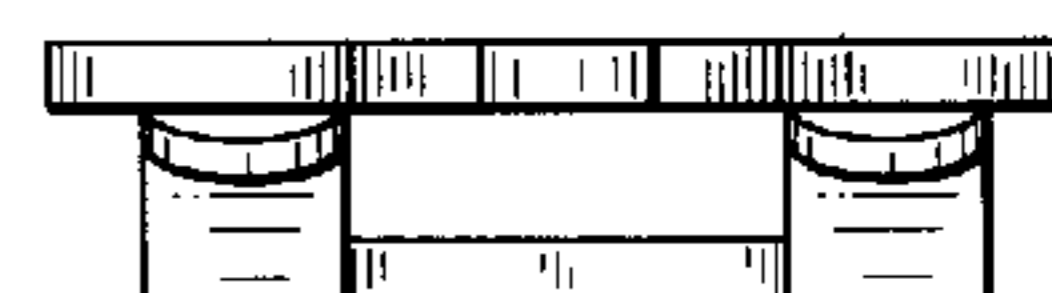


FIG. 8

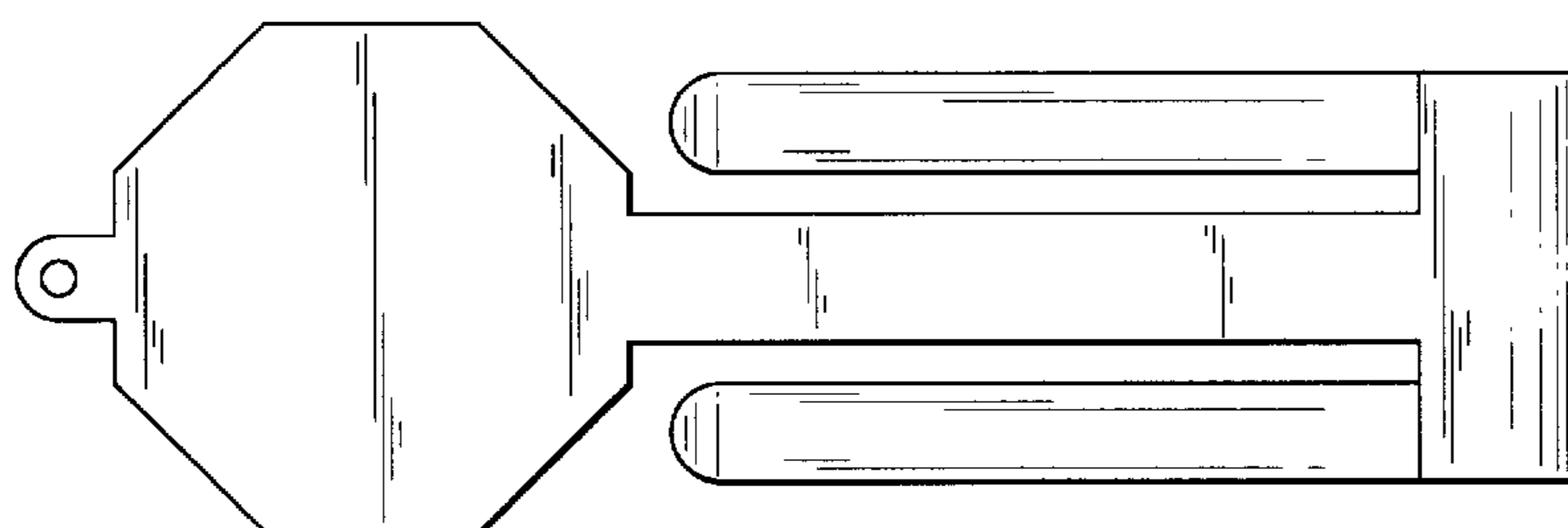


FIG. 11



FIG. 9

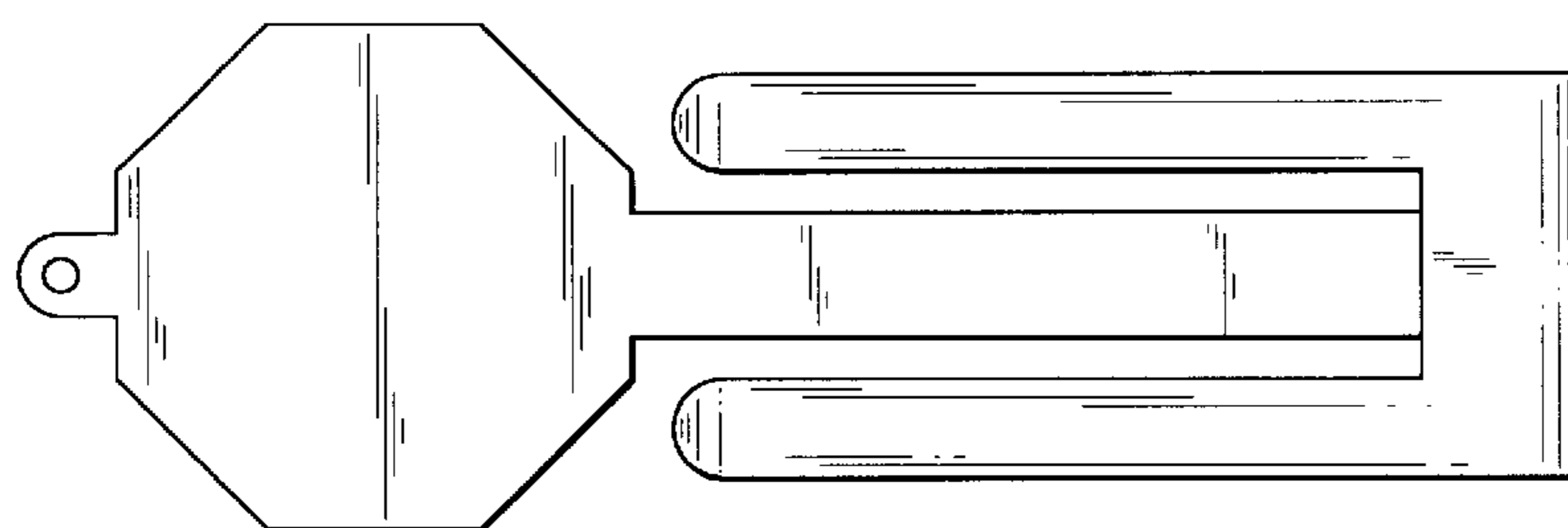


FIG. 12