



US00D413430S

**United States Patent** [19]  
**Granata**

[11] **Patent Number: Des. 413,430**  
[45] **Date of Patent: \*\* Sep. 7, 1999**

[54] **PORTABLE UMBRELLA HOLSTER**

D. 381,847 8/1997 Shingles ..... D6/513  
4,558,807 12/1985 Jackson ..... 224/915 X

[75] Inventor: **Joseph Granata**, West Warwick, R.I.

[73] Assignee: **Franzus Company, Inc.**, Beacon Falls, Conn.

*Primary Examiner*—Louis S. Zarfes  
*Assistant Examiner*—Catherine R Oliver  
*Attorney, Agent, or Firm*—Melvin I. Stoltz

[\*\*] Term: **14 Years**

[57] **CLAIM**

[21] Appl. No.: **29/093,909**

The ornamental design for the portable umbrella holster, as shown and described.

[22] Filed: **Sep. 21, 1998**

**DESCRIPTION**

[51] **LOC (6) Cl.** ..... **03-03**

[52] **U.S. Cl.** ..... **D3/10; D3/228**

[58] **Field of Search** ..... D3/10, 11, 215,  
D3/228, 218, 219, 229; 224/915, 904, 236,  
240, 245; 211/63; D7/620; D6/512, 513,  
540, 553, 570

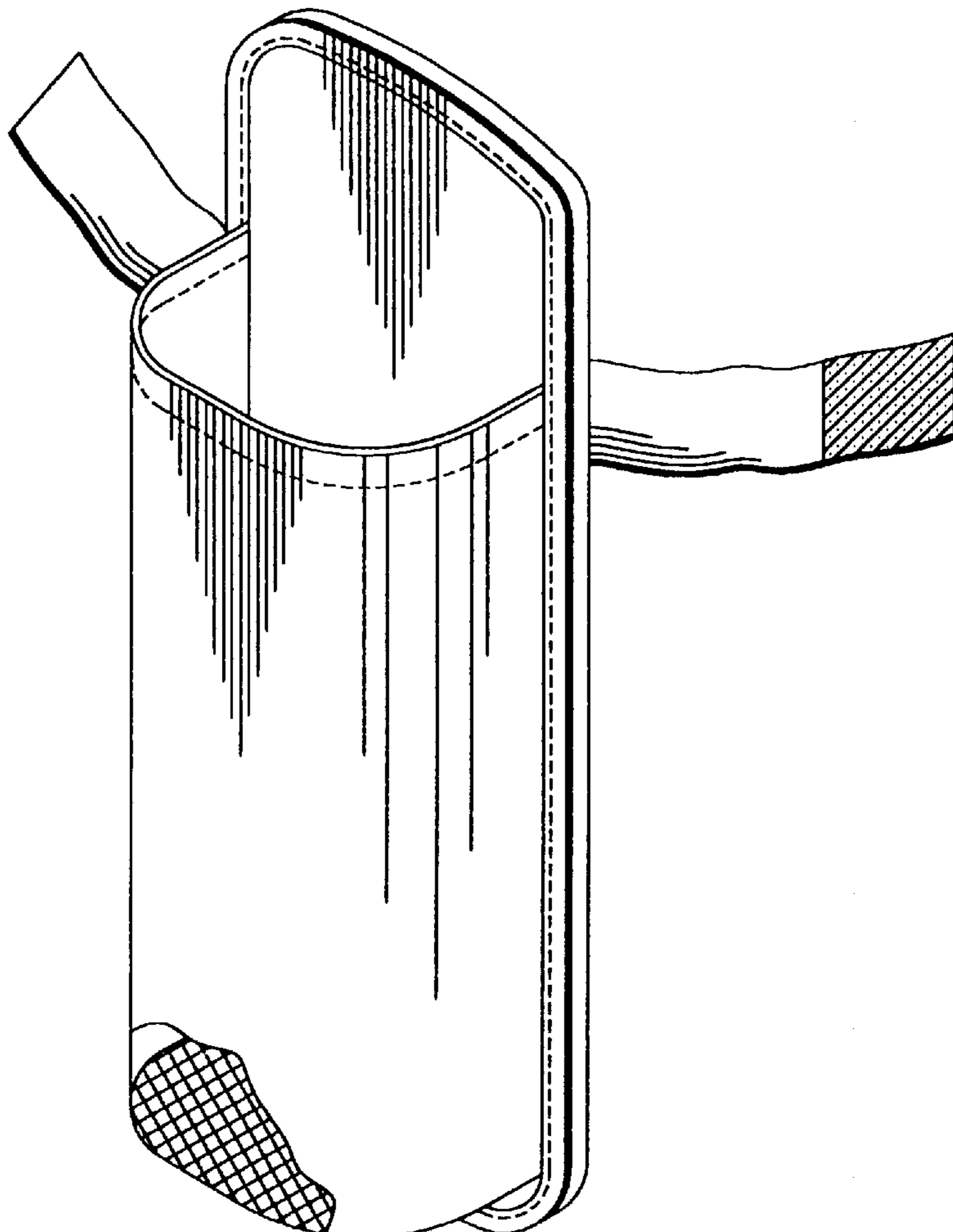
FIG. 1 is a perspective view of the portable umbrella holster showing my new design;  
FIG. 2 is a front elevational view thereof;  
FIG. 3 is a side elevational view thereof, looking from the right side of FIG. 2;  
FIG. 4 is a top plan view thereof;  
FIG. 5 is a rear elevational view thereof;  
FIG. 6 is a bottom plan view thereof; and,  
FIG. 7 is a side elevational view thereof, looking from the left side of FIG. 2.

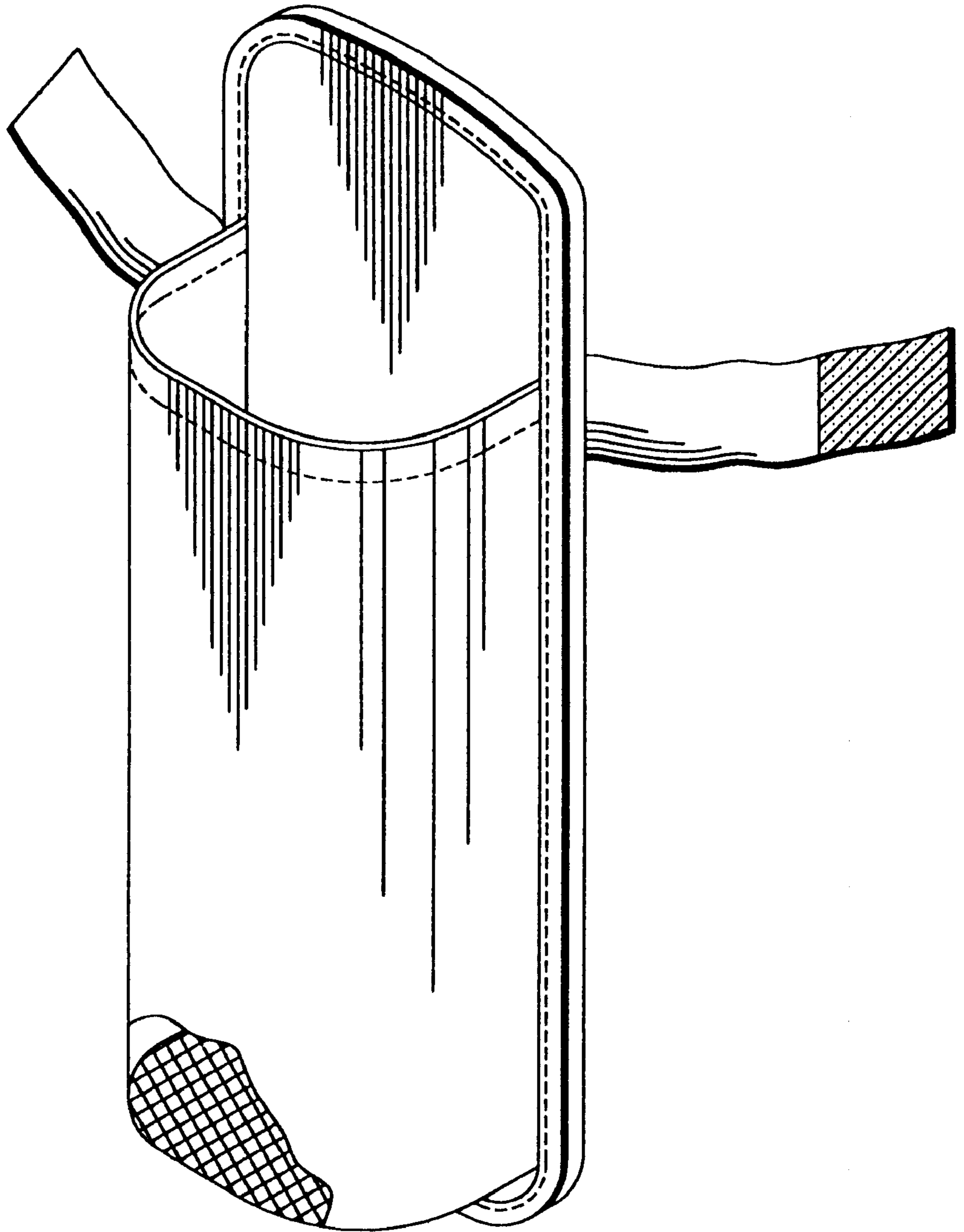
[56] **References Cited**

**U.S. PATENT DOCUMENTS**

D. 140,671 3/1945 Pascal ..... D3/11  
D. 339,689 9/1993 Andolina ..... D3/229  
D. 364,520 11/1995 Matthews ..... D6/514

**1 Claim, 3 Drawing Sheets**





*FIG. 1*

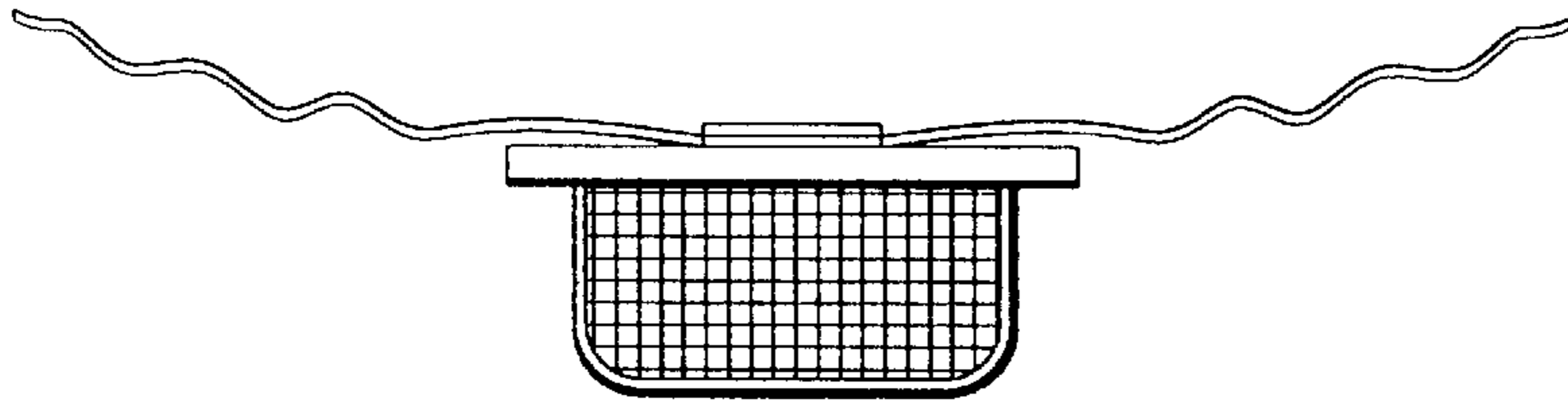


FIG. 4

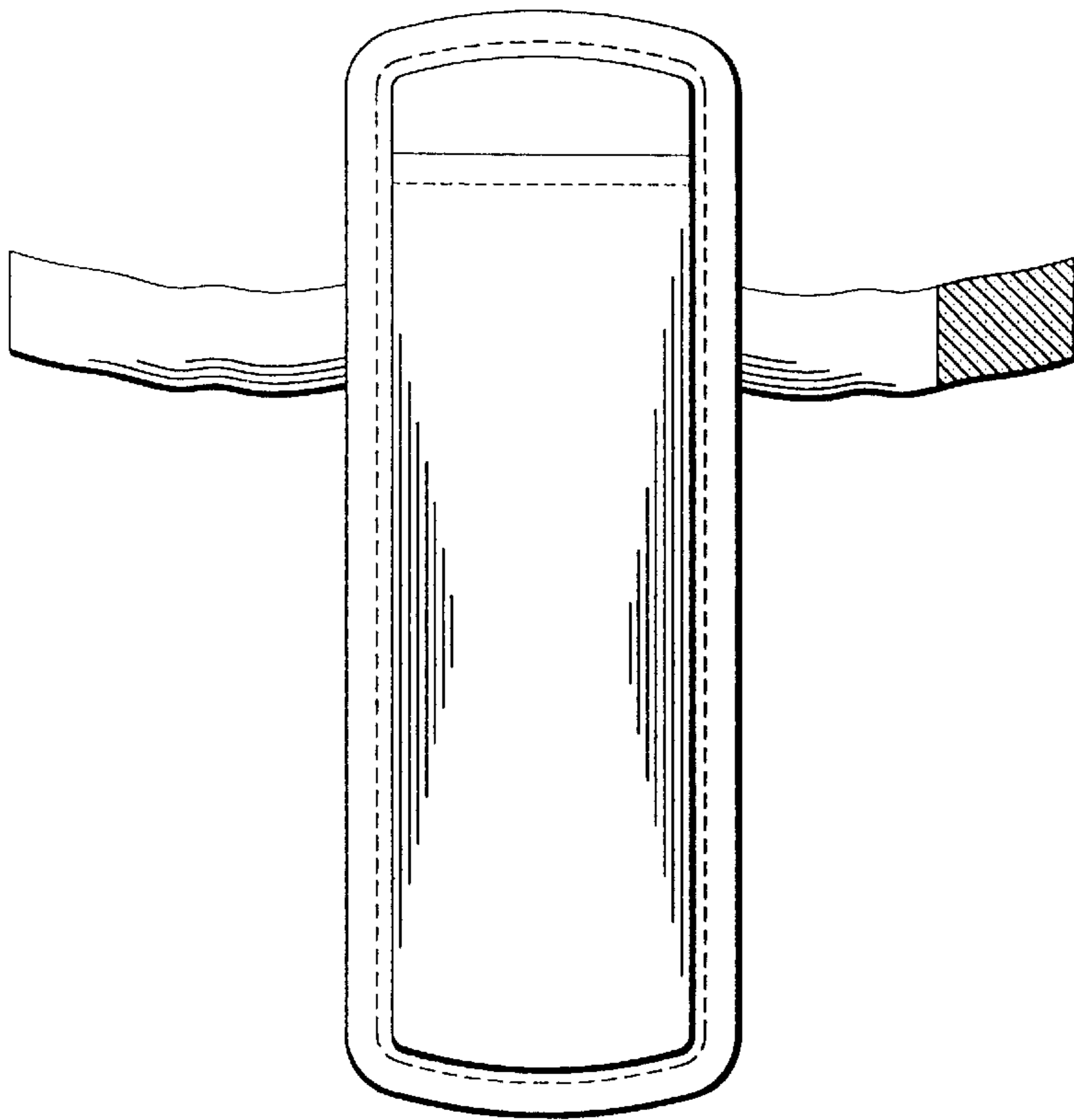


FIG. 2

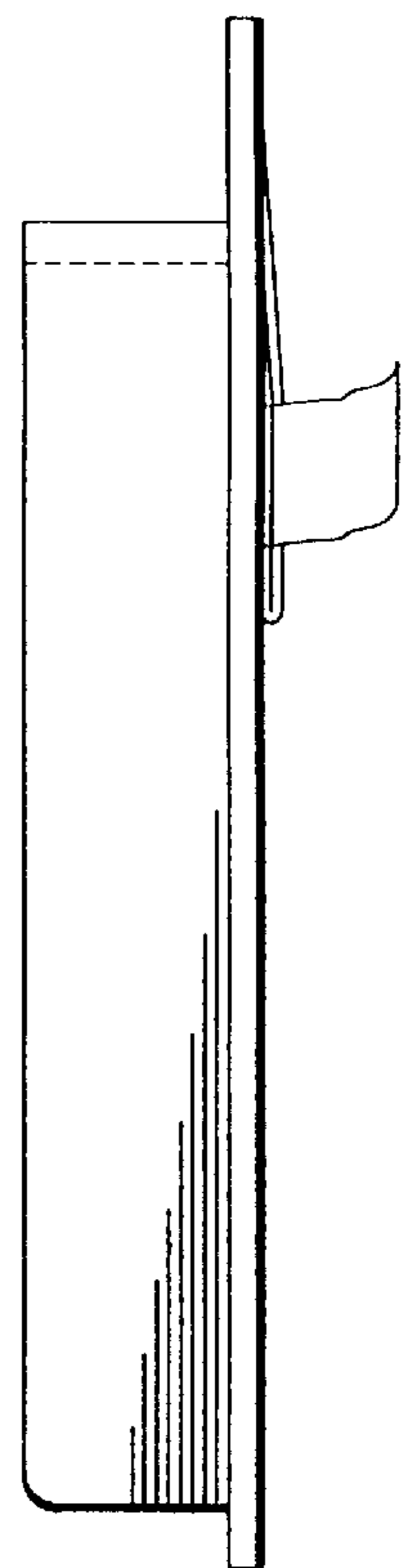
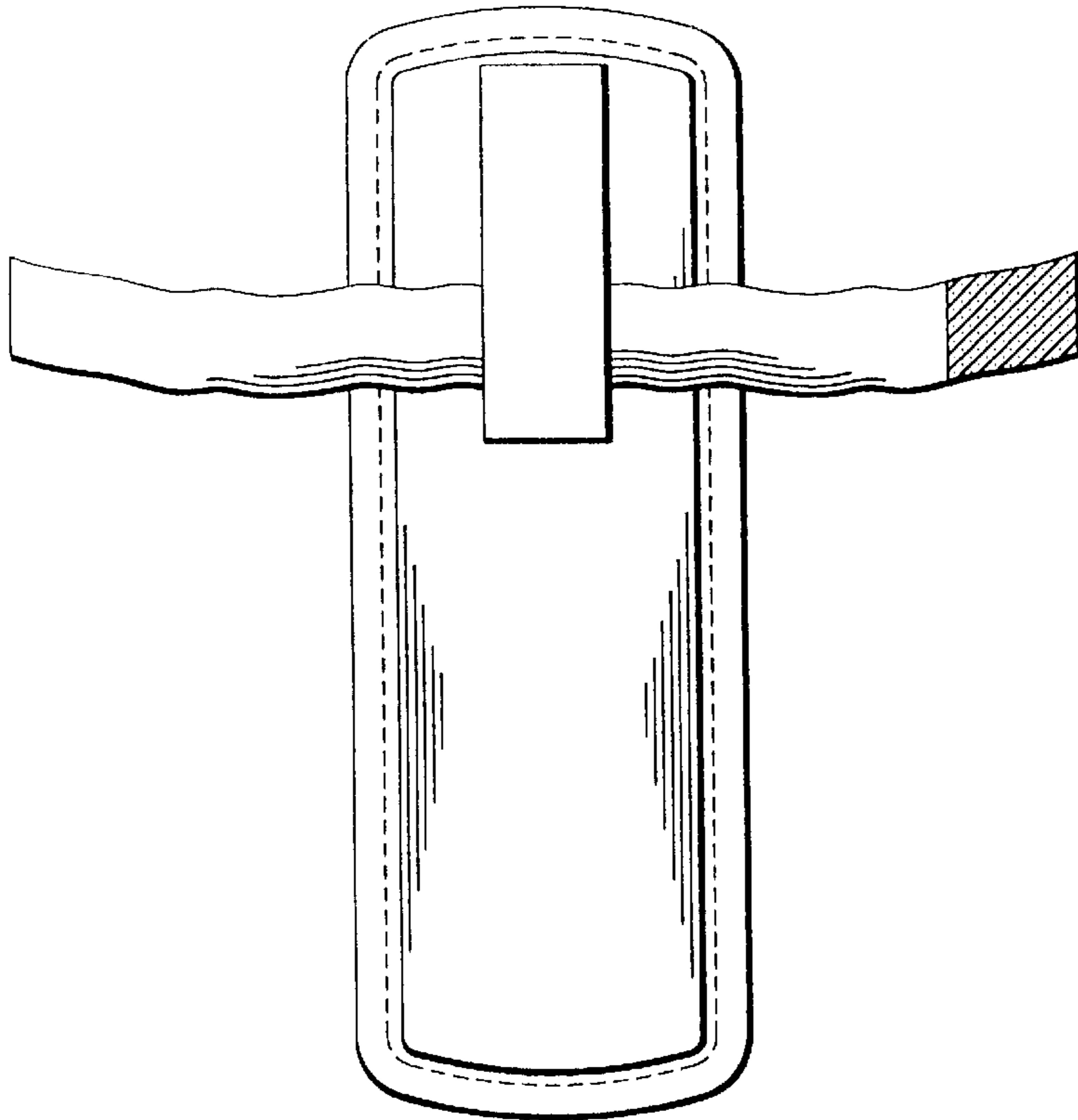
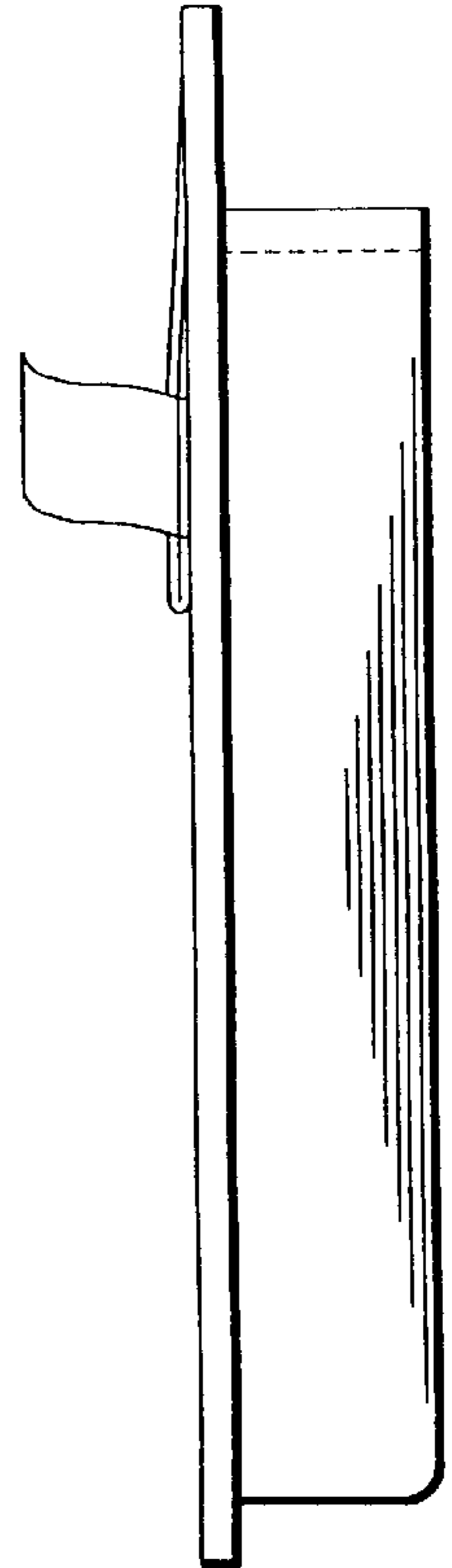


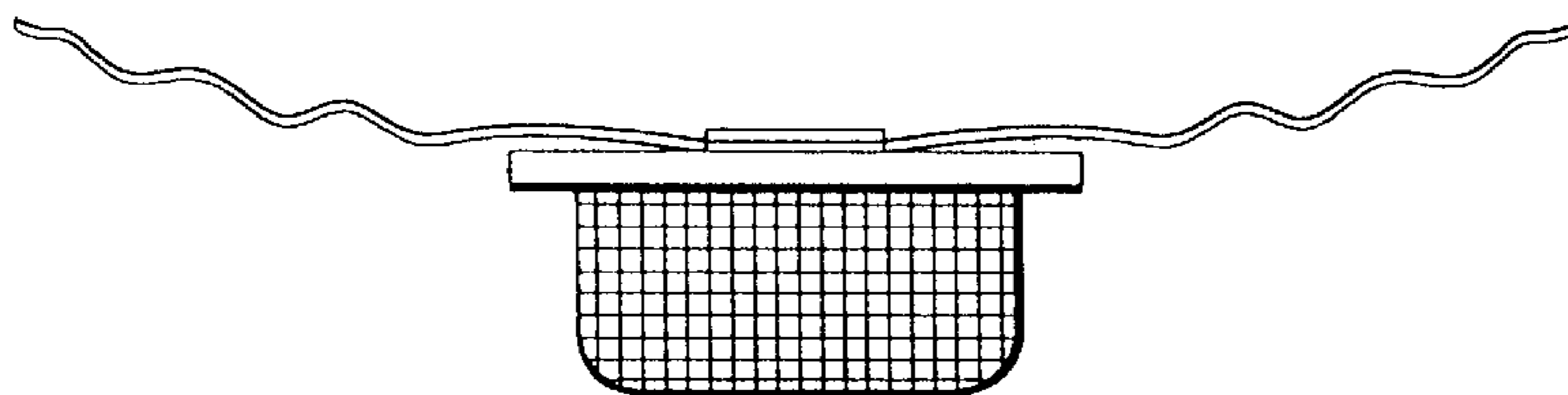
FIG. 3



*FIG. 5*



*FIG. 7*



*FIG. 6*