



US00D413429S

**United States Patent** [19]  
**Carson**

[11] **Patent Number: Des. 413,429**

[45] **Date of Patent: \*\* Sep. 7, 1999**

[54] **CLAMP FOR SUPPORTING UMBRELLA**

3,904,161 9/1975 Scott ..... 248/43  
5,431,364 7/1995 Etter ..... 248/514  
5,836,327 11/1998 Davis ..... 135/16

[76] Inventor: **Tara L. Carson**, 7031 Laurel Oak Way,  
Fair Oaks, Calif. 95628

[\*\*] Term: **14 Years**

*Primary Examiner*—Philip S. Hyder  
*Attorney, Agent, or Firm*—Lothrop & West

[21] Appl. No.: **29/089,205**

[57] **CLAIM**

[22] Filed: **Jun. 9, 1998**

The ornamental design for a clamp for supporting umbrella,  
as shown.

[51] **LOC (6) Cl.** ..... **03-03**

[52] **U.S. Cl.** ..... **D3/10; D8/72**

[58] **Field of Search** ..... D3/10; D8/72;  
135/16, 161; 248/514, 515, 534, 540, 541,  
43

**DESCRIPTION**

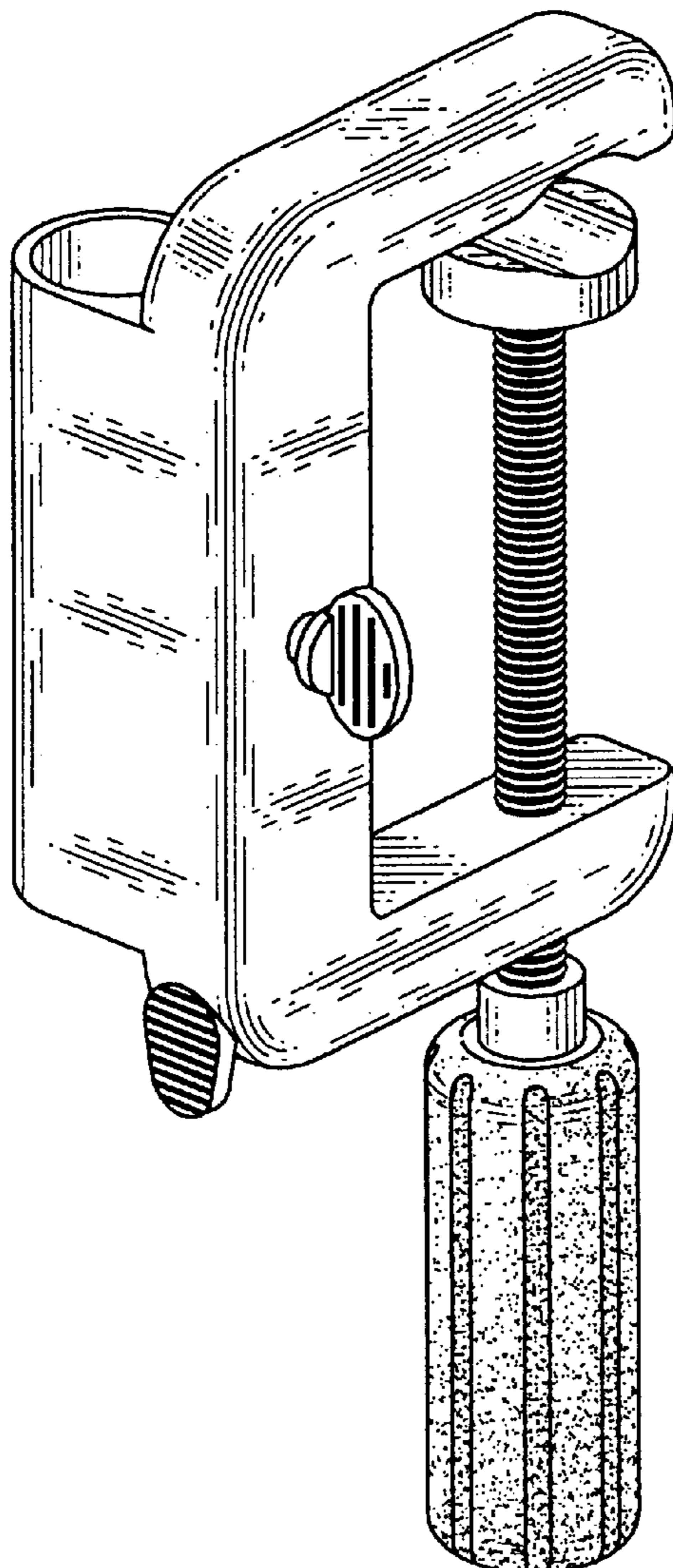
FIG. 1 is a left front perspective of a clamp for supporting  
umbrella, showing my new design;  
FIG. 2 is a top plan view, thereof;  
FIG. 3 is an elevational view of one side, thereof;  
FIG. 4 is a bottom plan view, thereof;  
FIG. 5 is an elevational view of one end, thereof;  
FIG. 6 is an elevational view of the other side, thereof; and,  
FIG. 7 is an elevational view of the other end, thereof.

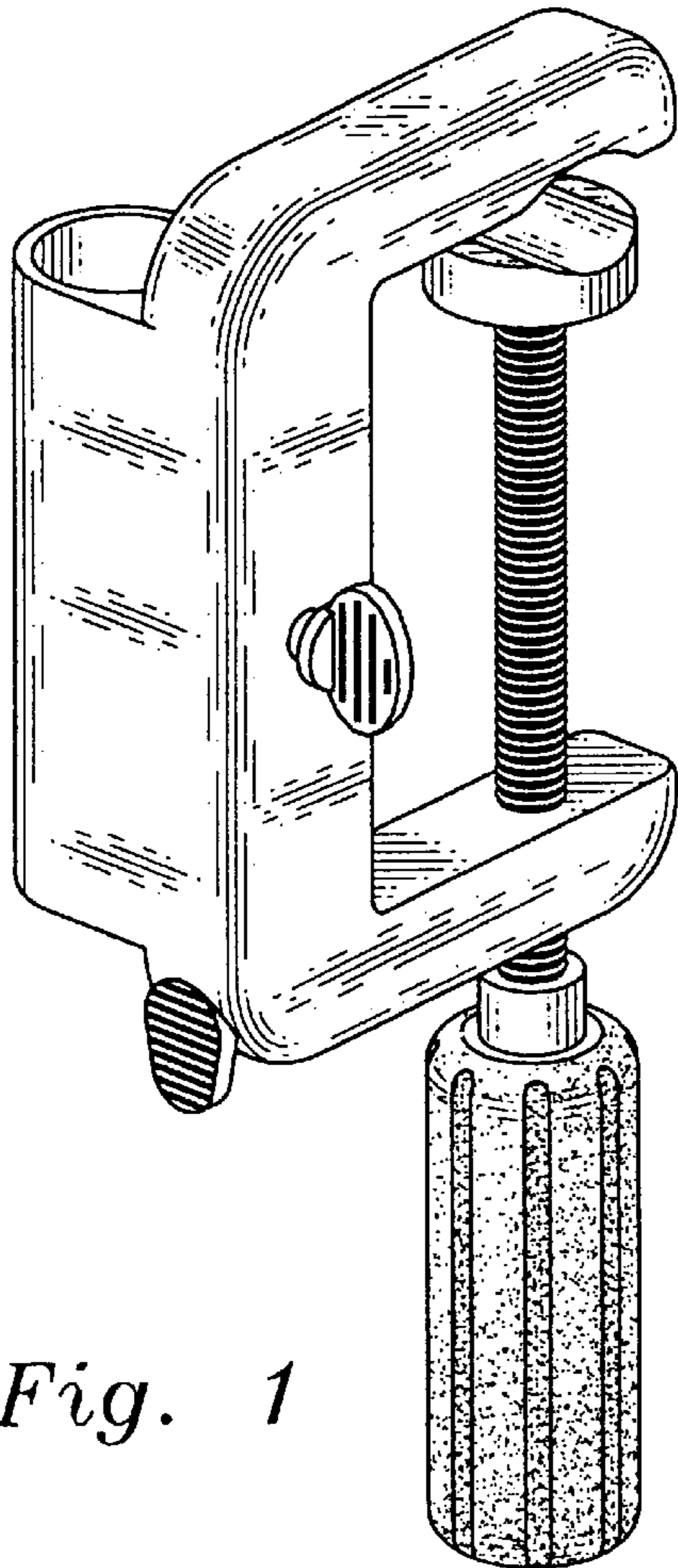
[56] **References Cited**

**U.S. PATENT DOCUMENTS**

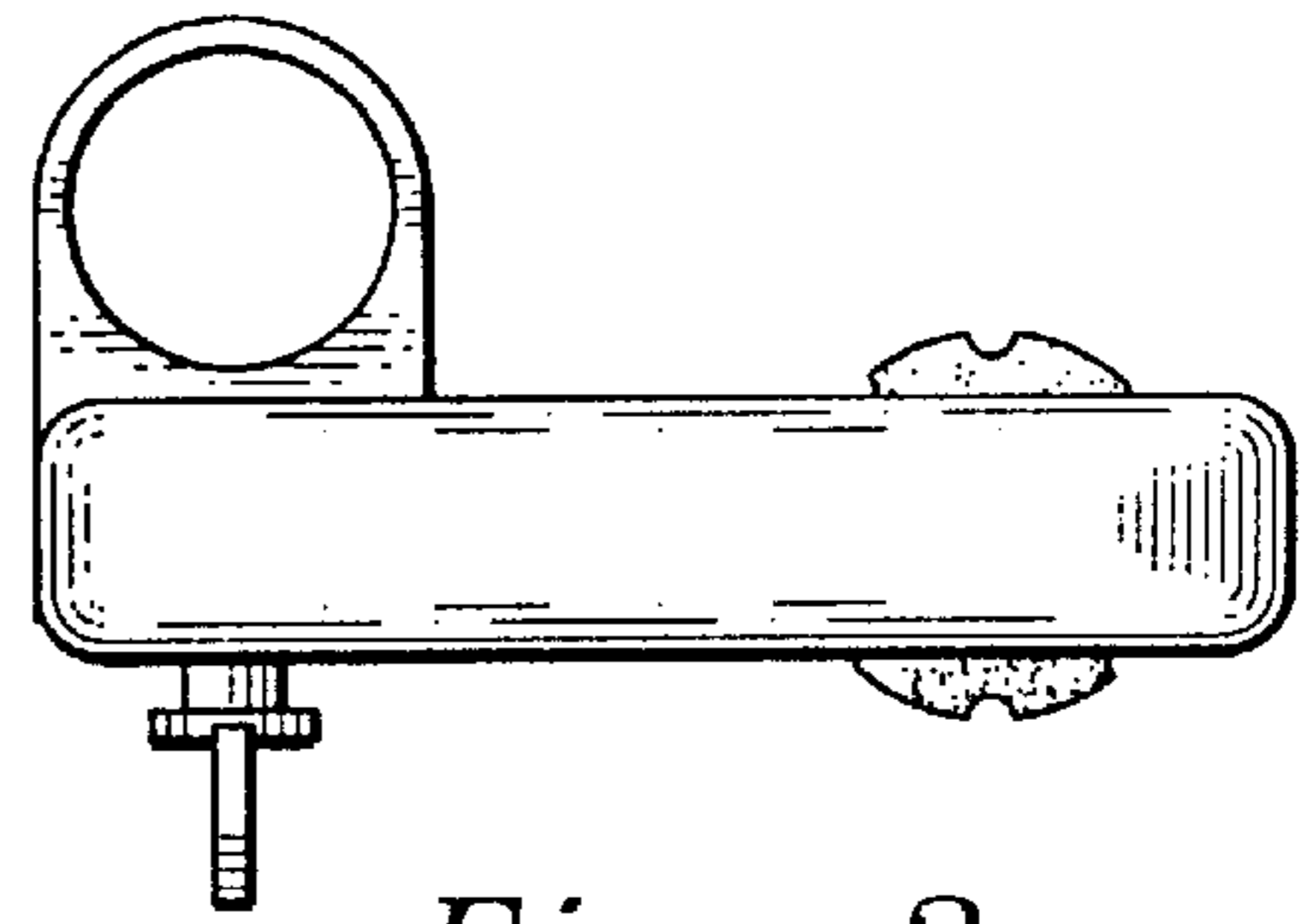
D. 330,630 11/1992 Loden ..... D3/10  
D. 341,241 11/1993 Buckley ..... D3/10  
D. 352,390 11/1994 Shrum ..... D3/10  
2,822,143 2/1958 Johansen ..... 248/514

**1 Claim, 2 Drawing Sheets**

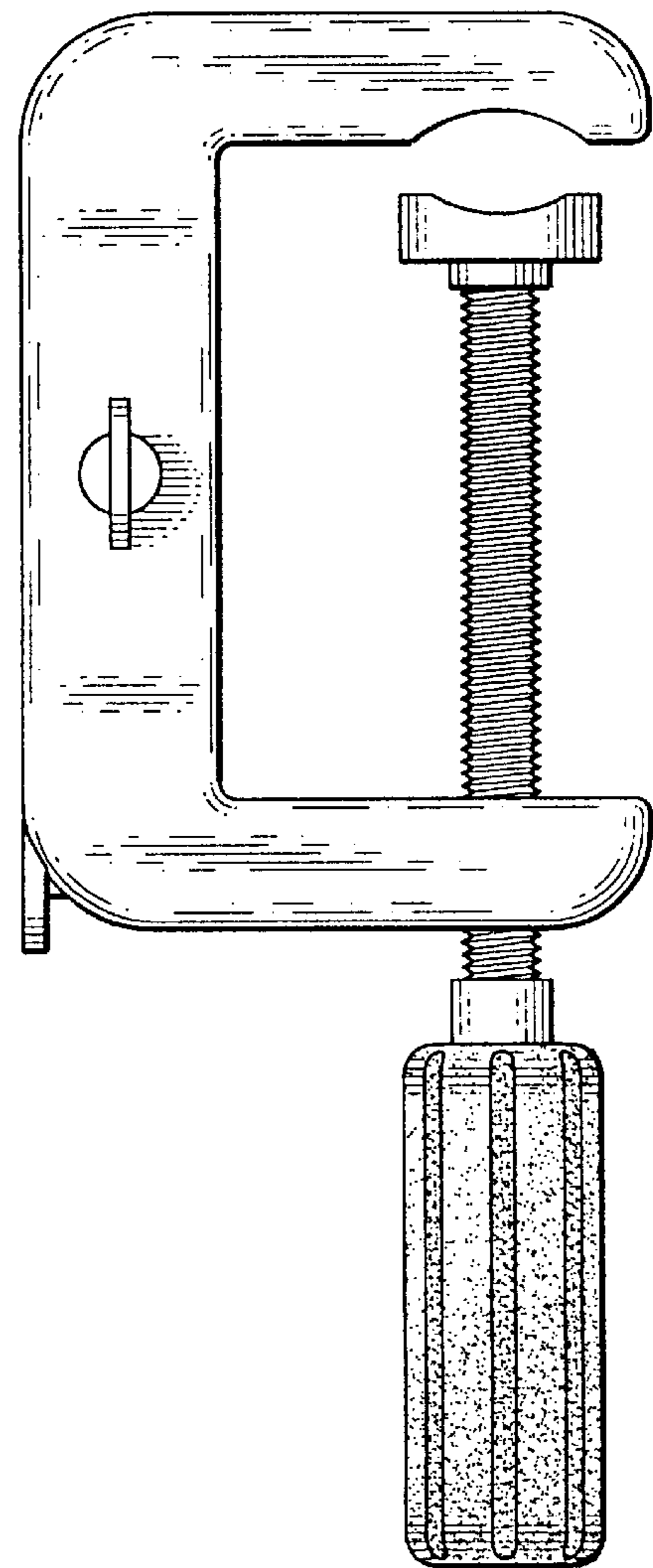




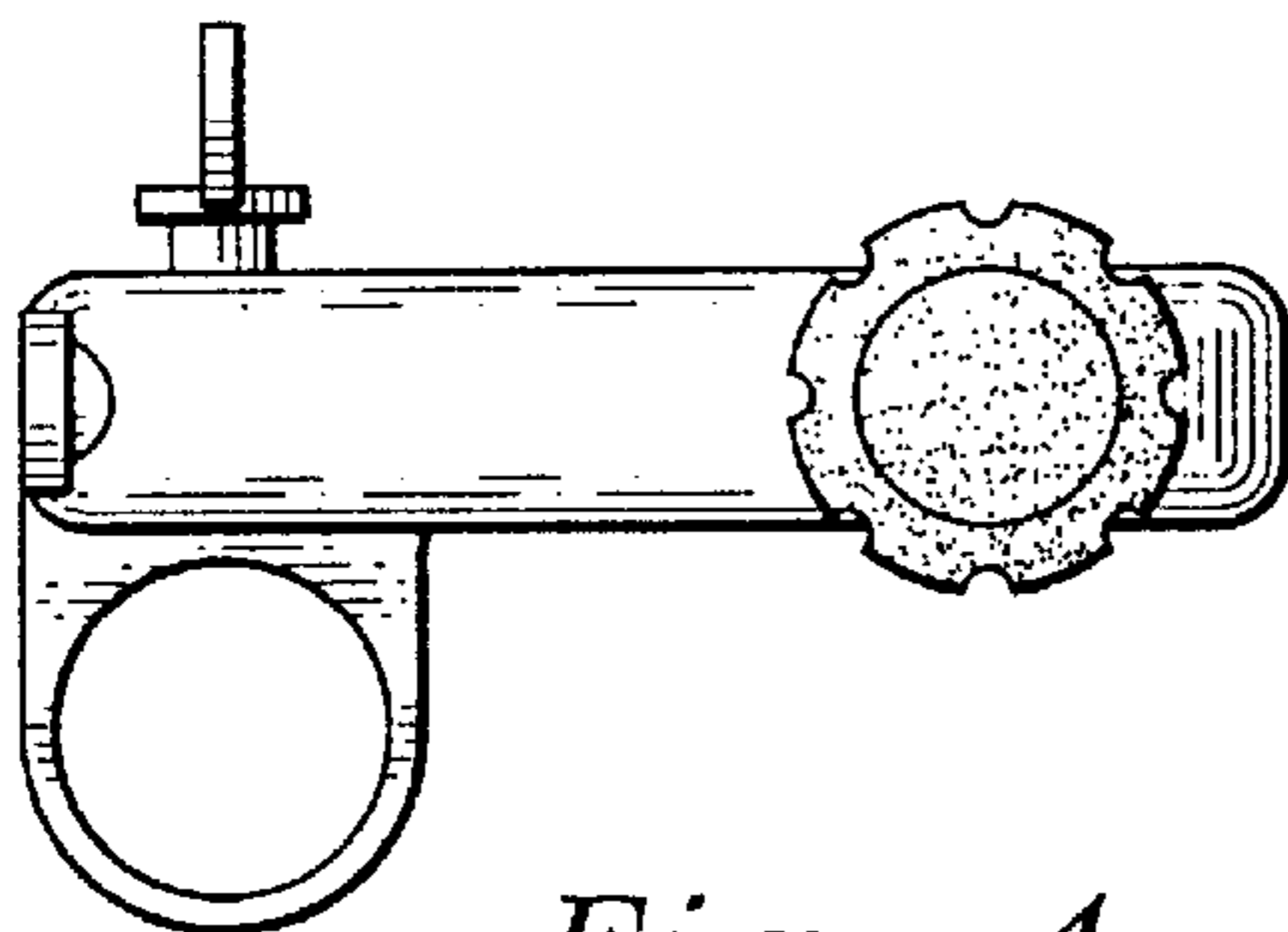
*Fig. 1*



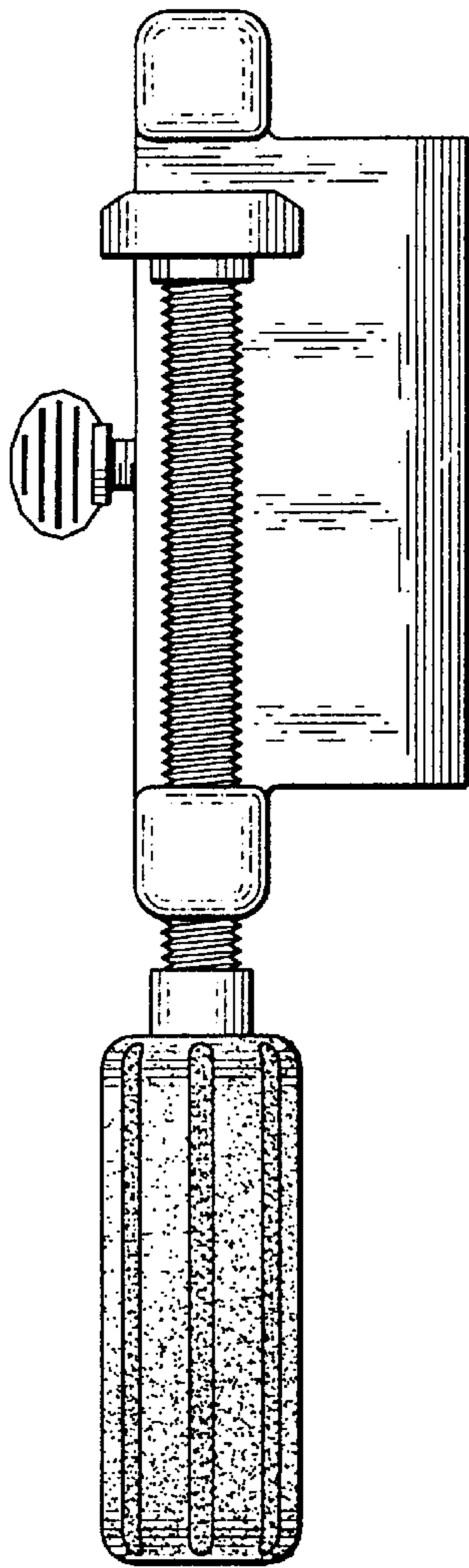
*Fig. 2*



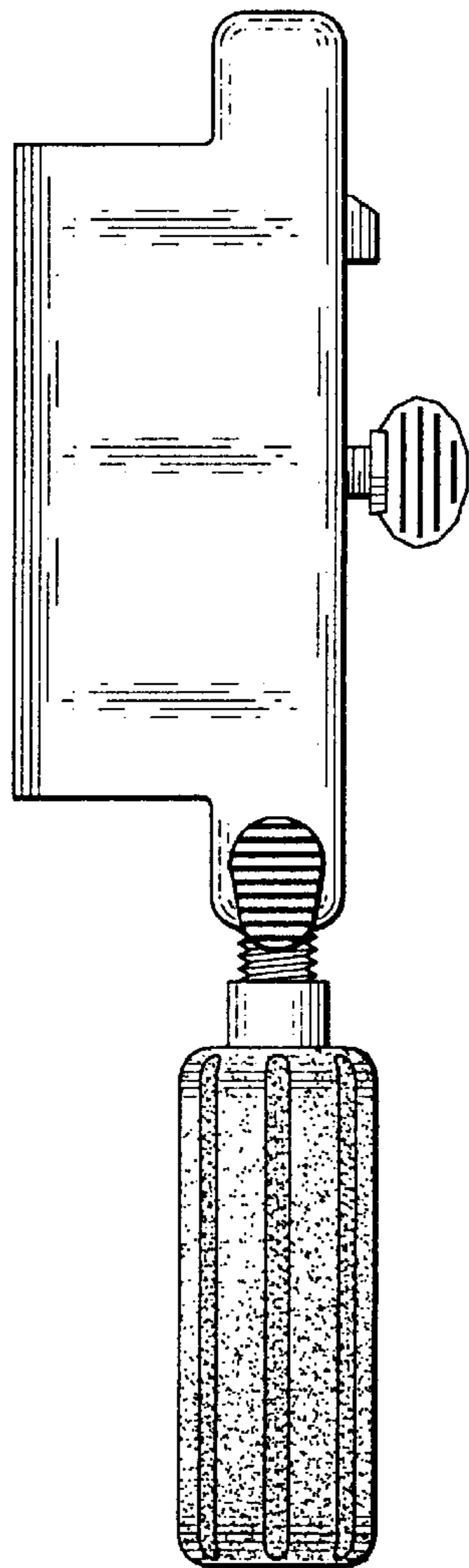
*Fig. 3*



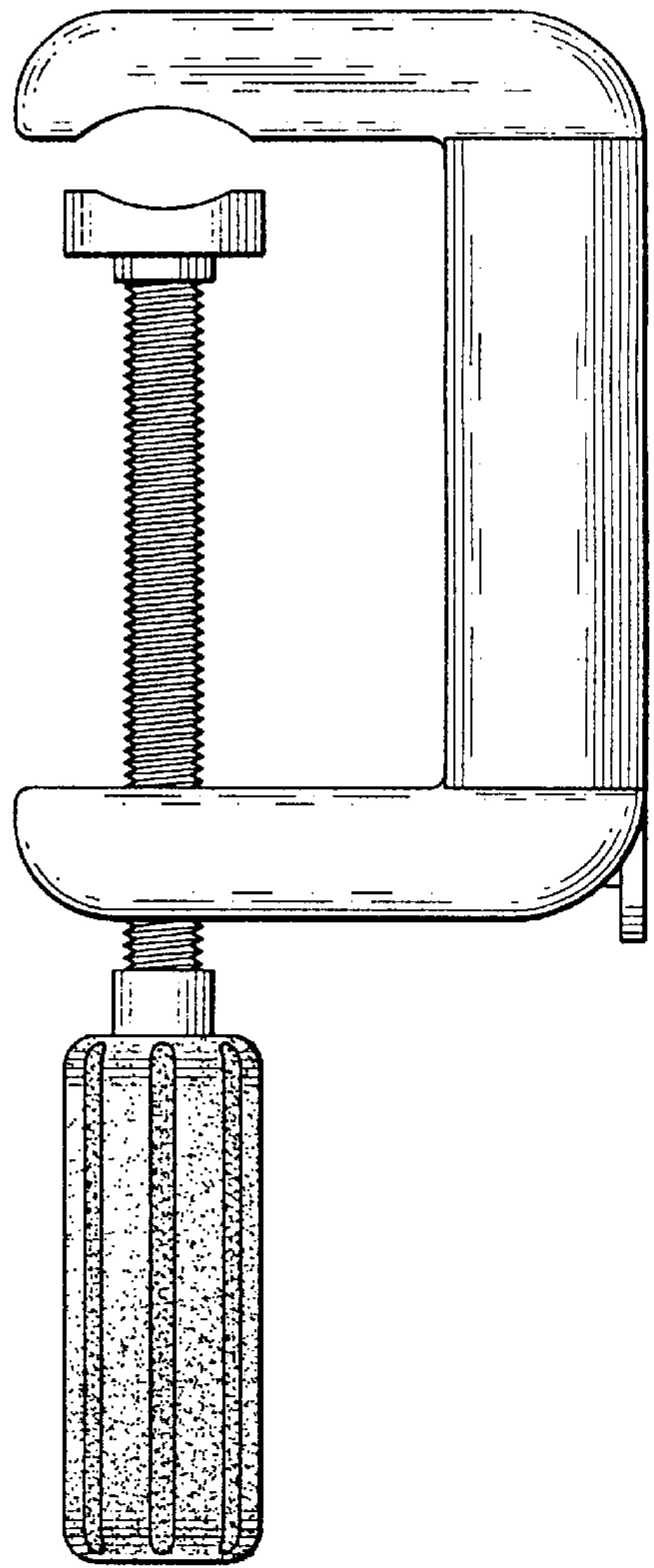
*Fig. 4*



*Fig. 5*



*Fig. 7*



*Fig. 6*