



US00D413426S

United States Patent [19]

[11] **Patent Number: Des. 413,426**

Lape

[45] **Date of Patent: ** Sep. 7, 1999**

[54] **HUNTER'S REMOVABLE CAP COVER WITH LICENSE HOLDER ATTACHMENT**

3,166,766	1/1965	Banello, Jr.	D2/891
4,872,218	10/1989	Holt	2/175.5
5,452,479	9/1995	Mostert	2/195.1
5,581,813	12/1996	Henschel	2/209.13
5,771,493	6/1998	Proctor	2/209.13

[76] Inventor: **Jonathan R. Lape**, 645 Deeter Gap Rd., Berlin, Pa. 15530-5532

[**] Term: **14 Years**

Primary Examiner—Paula A. Mortimer

[21] Appl. No.: **29/091,061**

[57] **CLAIM**

[22] Filed: **Jul. 22, 1998**

The ornamental design for a hunter's removable cap cover with license holder attachment, as shown and described.

[51] **LOC (6) Cl. 02-03**

DESCRIPTION

[52] **U.S. Cl. D2/882; D2/891**

[58] **Field of Search** D2/865, 866, 872, D2/876, 879, 882, 884, 892, 891; 2/171, 181, 195.1, 175.5, 175.6, 171.1, 209.11, 209.13

FIG. 1 is a front elevational view of the hunter's removable cap cover with license holder attachment showing my new design;

FIG. 2 is a rear elevational view thereof;

FIG. 3 is a right side view thereof;

FIG. 4 is a left side view thereof;

FIG. 5 is a top plan view thereof; and,

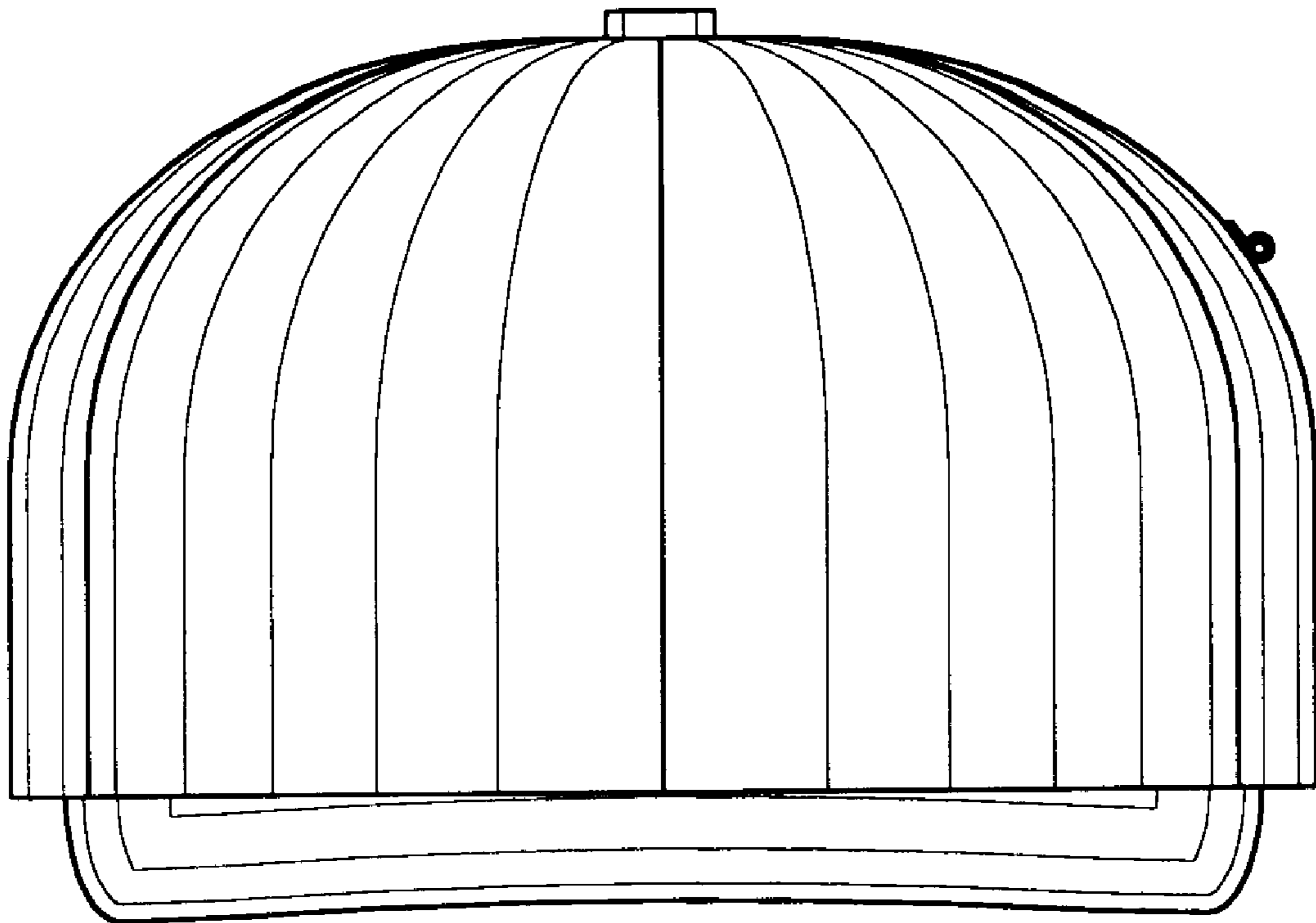
FIG. 6 is a bottom plan view thereof, the opening is conventional.

[56] **References Cited**

U.S. PATENT DOCUMENTS

2,181,106	11/1939	Timmons et al.	2/175.6
2,444,617	7/1948	Samuels	2/175.6
2,512,026	6/1950	Levy	D2/891

1 Claim, 3 Drawing Sheets



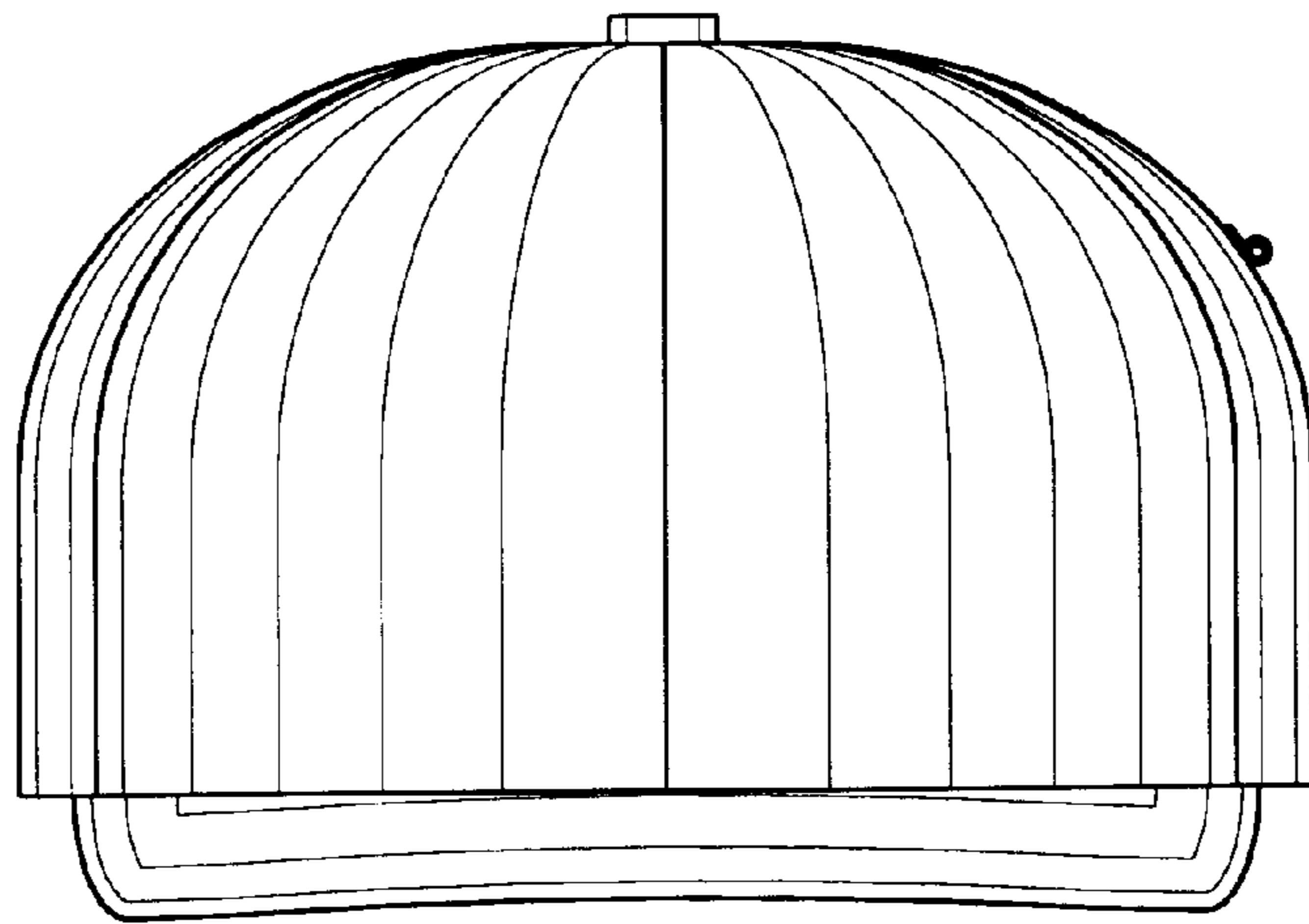


Fig. 1

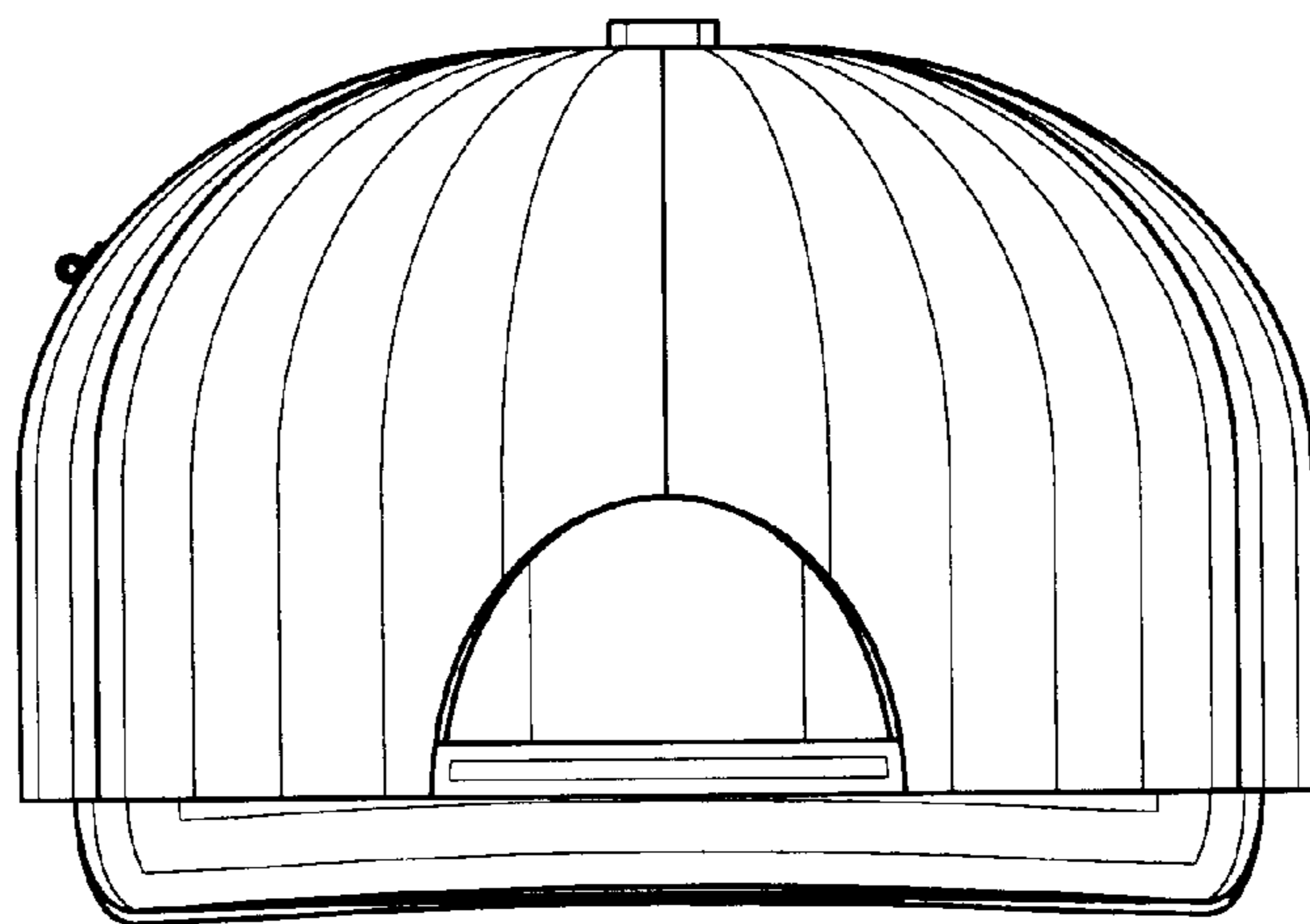


Fig. 2

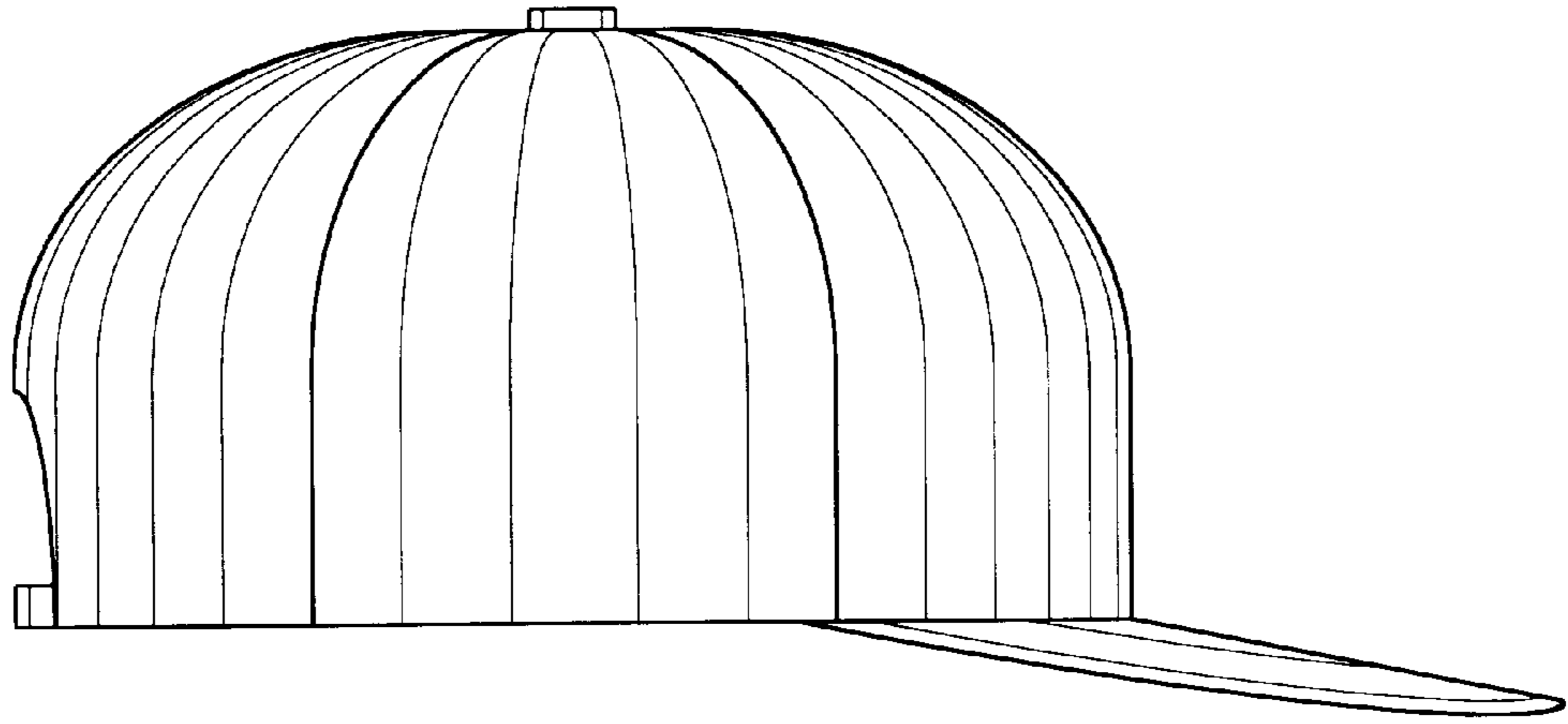


Fig. 3

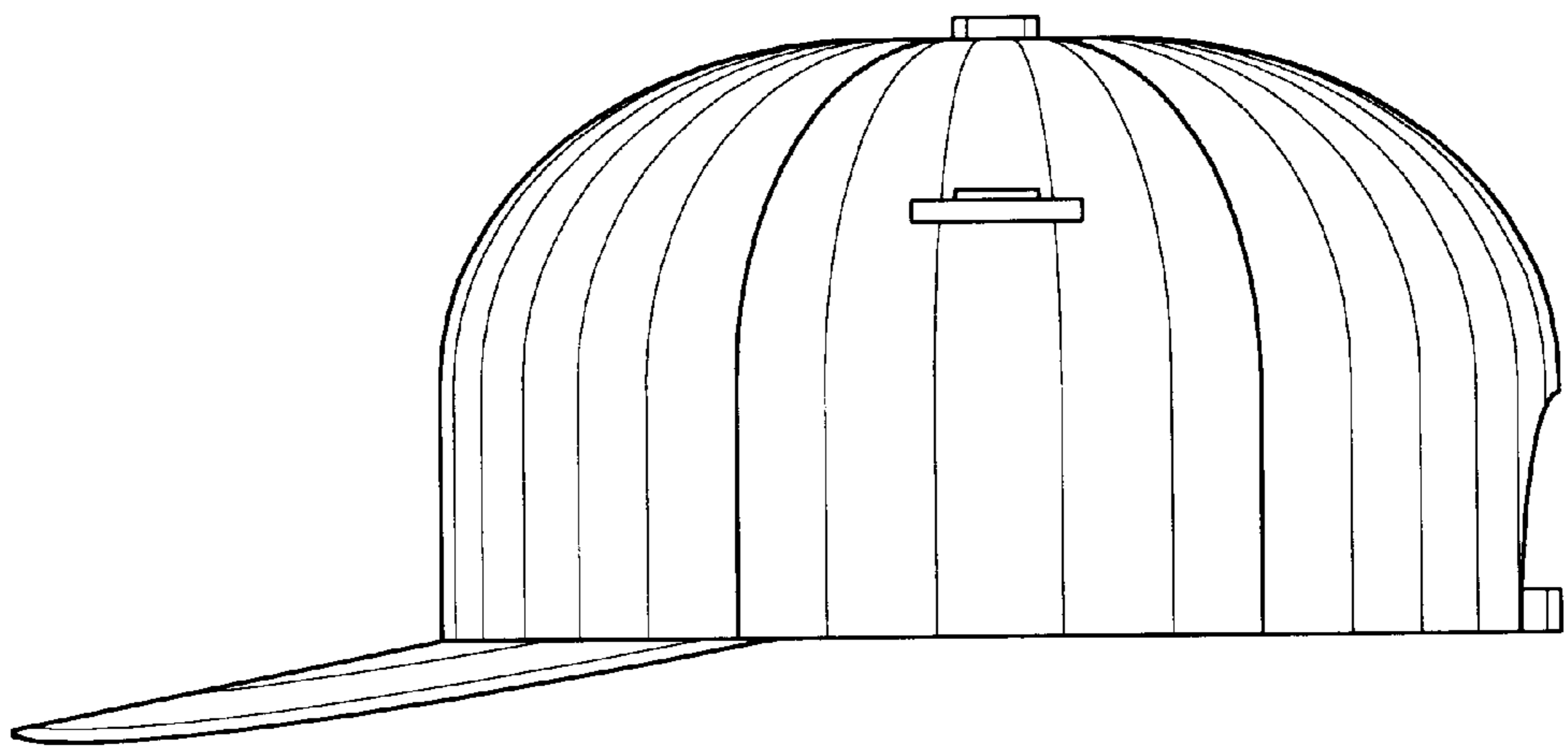


Fig. 4

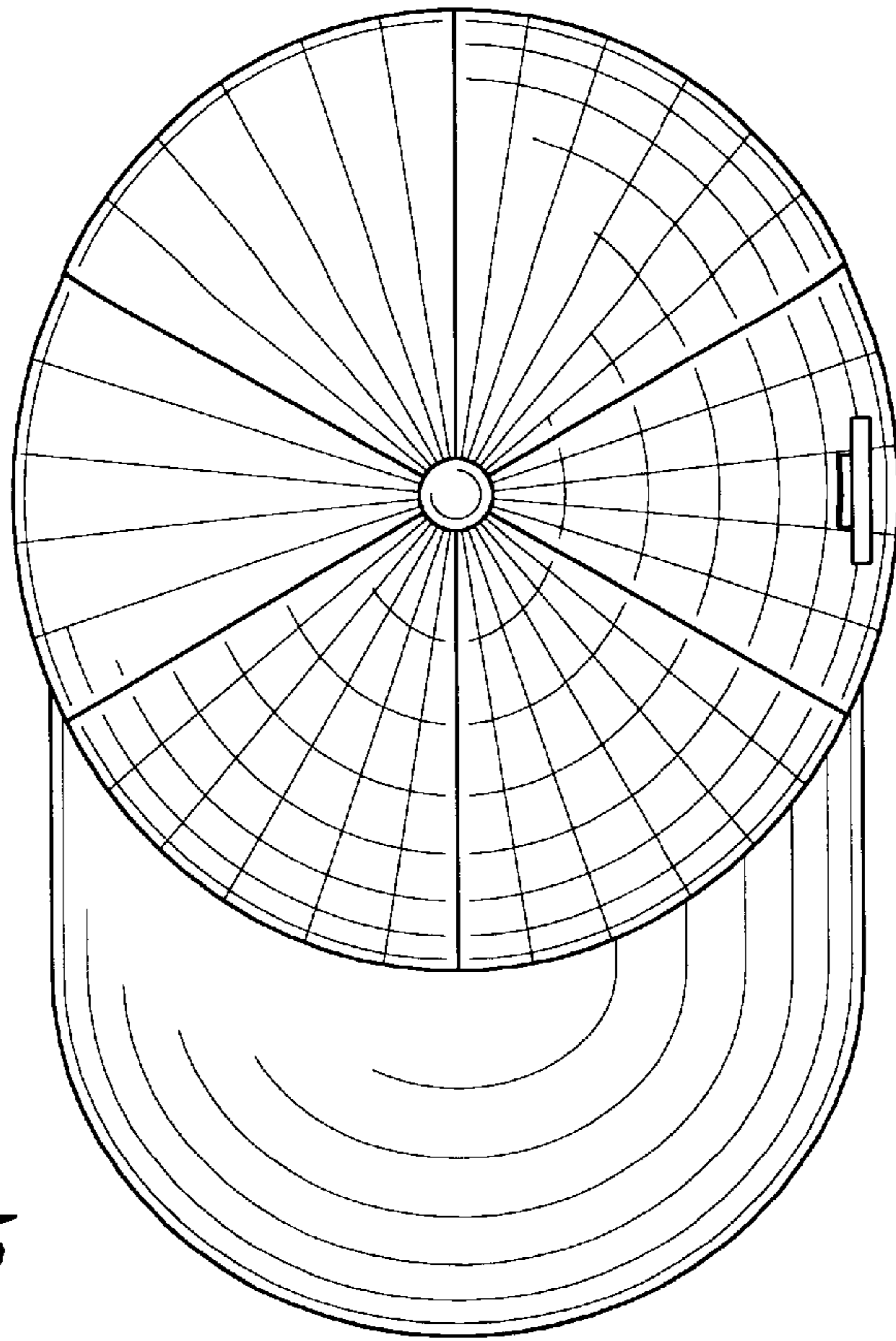


Fig. 5

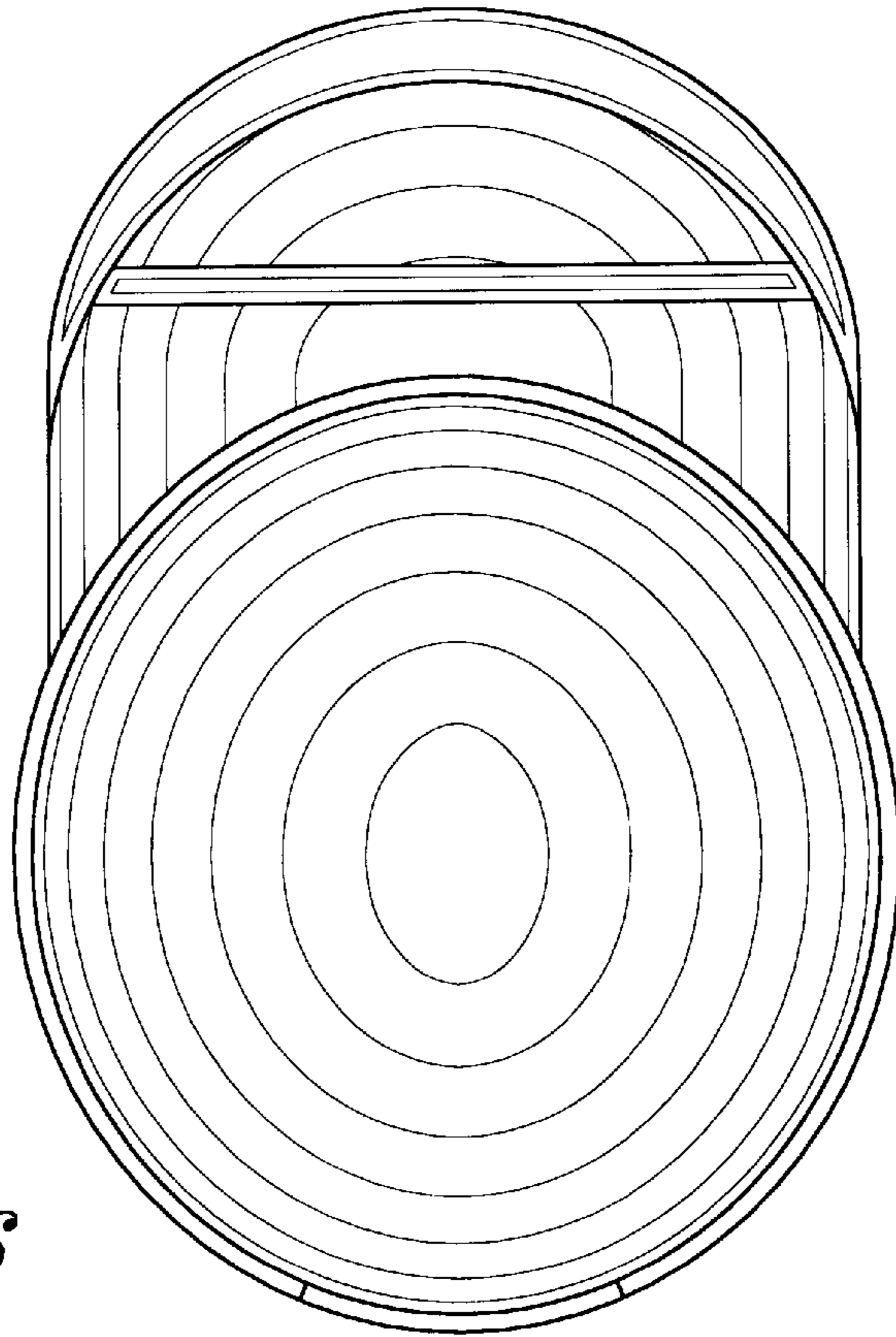


Fig. 6