



US00D413422S

United States Patent [19]
Colbert et al.

[11] **Patent Number: Des. 413,422**

[45] **Date of Patent: ** Aug. 31, 1999**

[54] **RACE CAR MAILBOX**

2,156,854 5/1939 Hurst .

[76] Inventors: **Scott Colbert**, 310 Rte. 33, Central Square, N.Y. 13036; **Keith W. Borland**, Sterling Center Rd., Sterling, N.Y. 13156

Primary Examiner—Paula A. Mortimer
Attorney, Agent, or Firm—Trapani & Molldrem

[**] Term: **14 Years**

[57] **CLAIM**

The ornamental design for a race car mailbox, as shown and described.

[21] Appl. No.: **29/085,384**

DESCRIPTION

[22] Filed: **Mar. 23, 1998**

FIG. 1 is a perspective view showing race car mailbox of our new design.

[51] **LOC (6) Cl.** **99-00**

FIG. 2 is a front elevational view thereof.

[52] **U.S. Cl.** **D99/30**

FIG. 3 is a top plan view thereof.

[58] **Field of Search** D99/29, 30, 42;
232/19, 20, 27, 35, 39; D21/550

FIG. 4 is a left side elevation thereof.

FIG. 5 is a right side elevation thereof; and,

FIG. 6 is a rear elevation thereof.

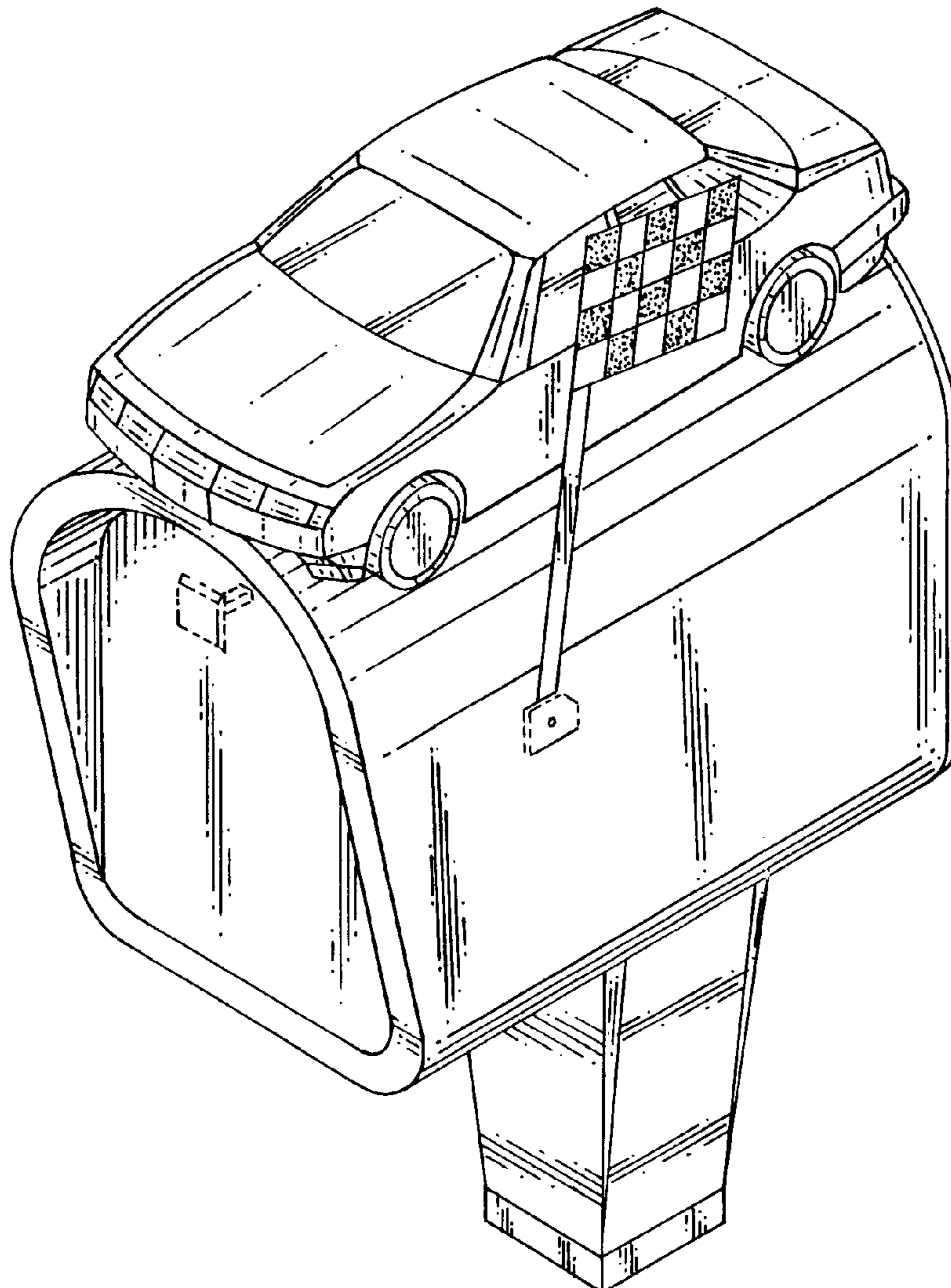
[56] **References Cited**

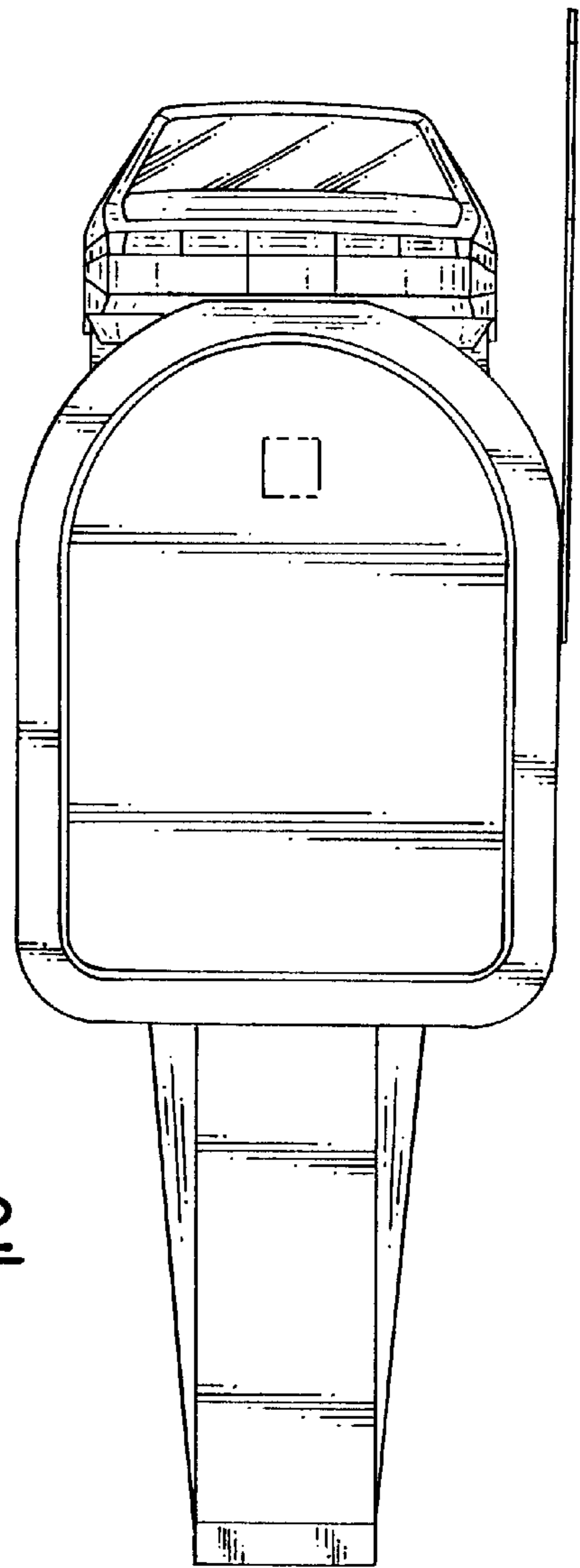
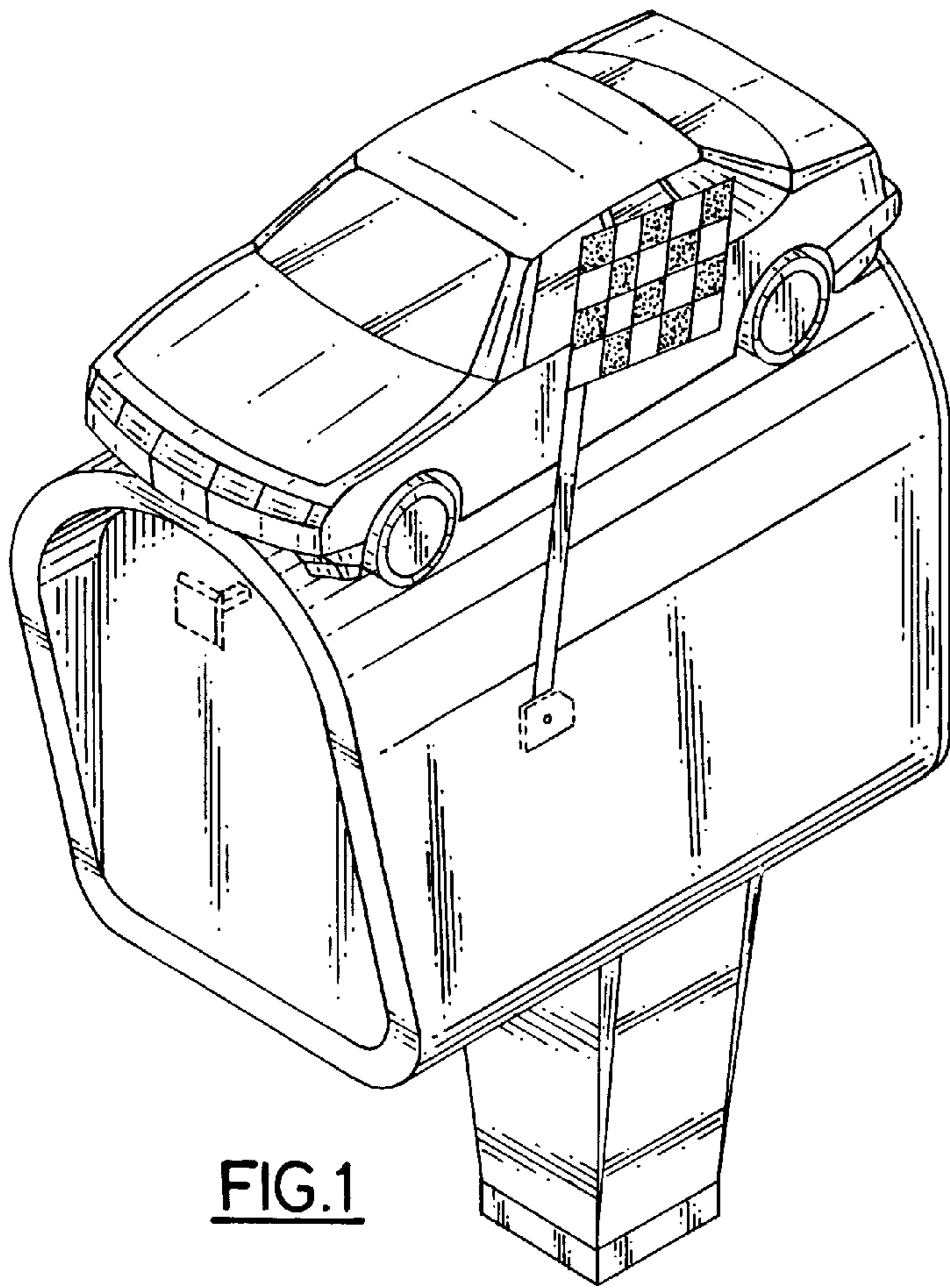
The bottom of the mailbox is plain and unadorned. The features illustrated in ghost line do not form a part of the claimed design.

U.S. PATENT DOCUMENTS

D. 346,266	4/1994	Tinglor	D99/30
D. 347,927	6/1994	Martin	D99/30
D. 371,888	7/1996	Tinglor	D99/30

1 Claim, 3 Drawing Sheets





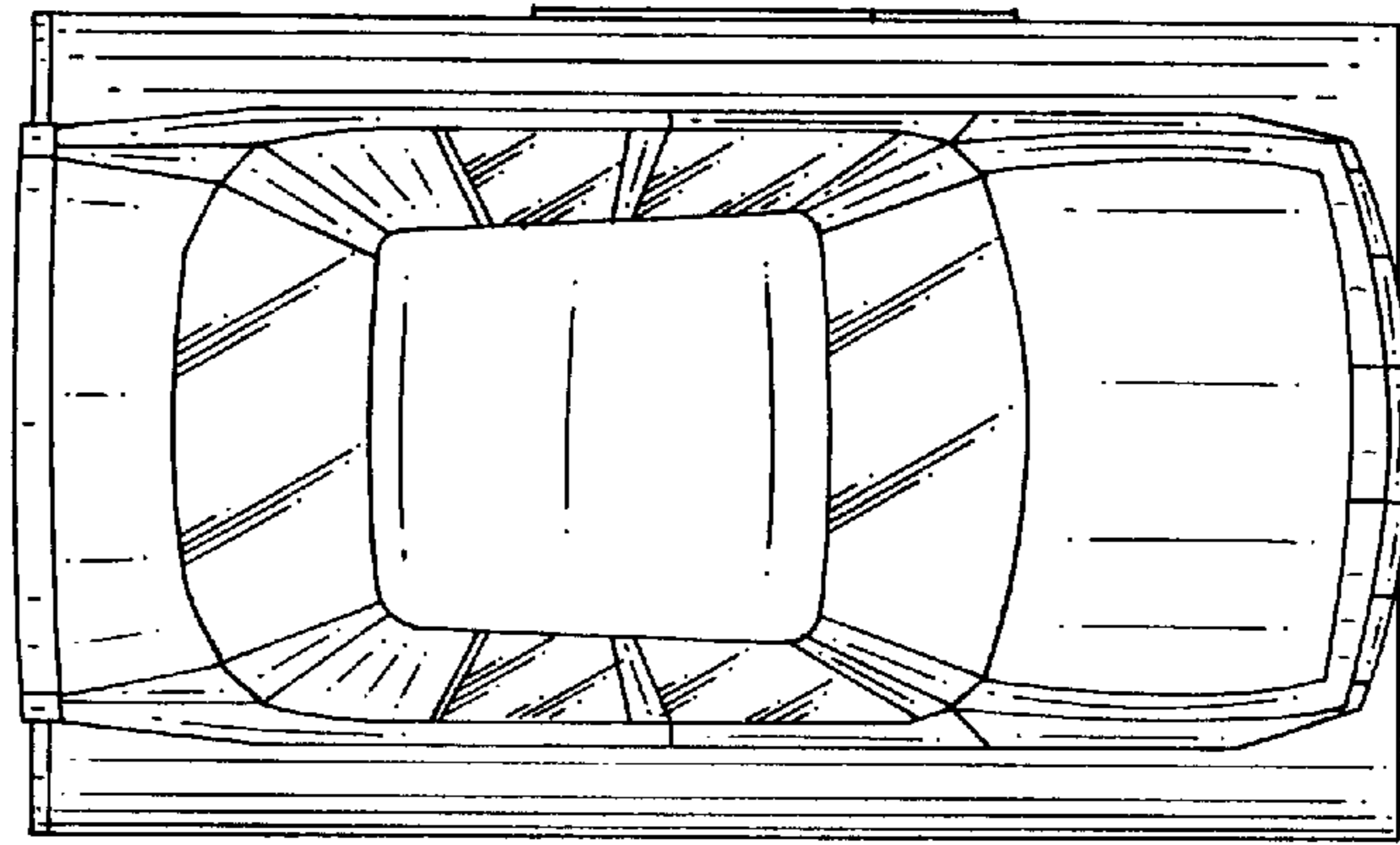


FIG.3

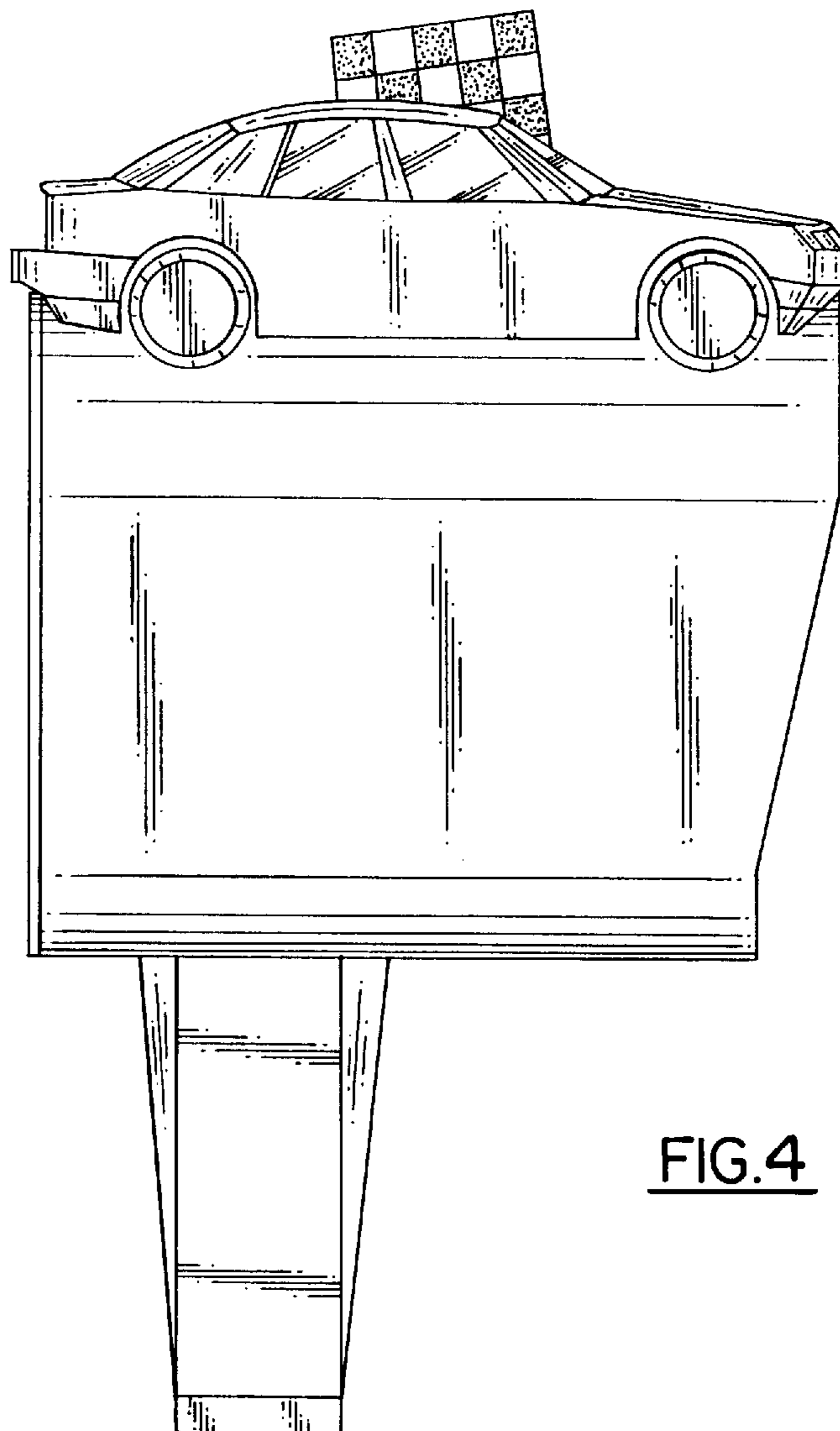


FIG.4

FIG.5

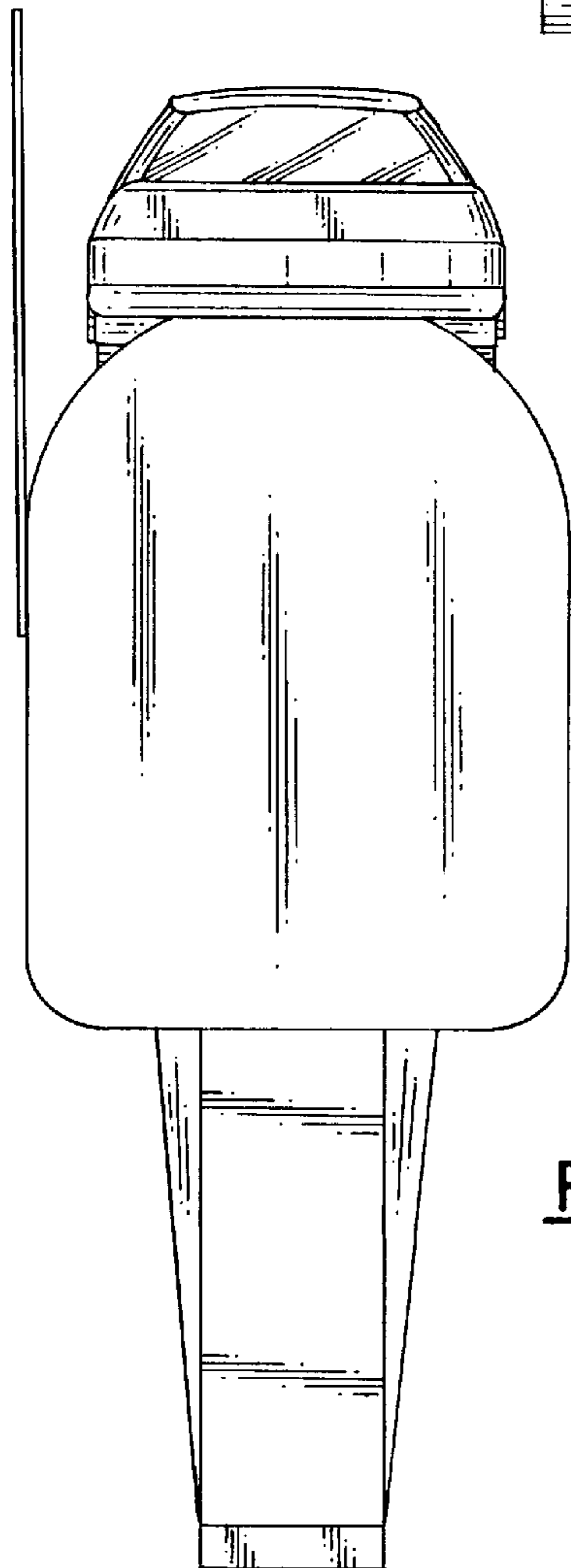
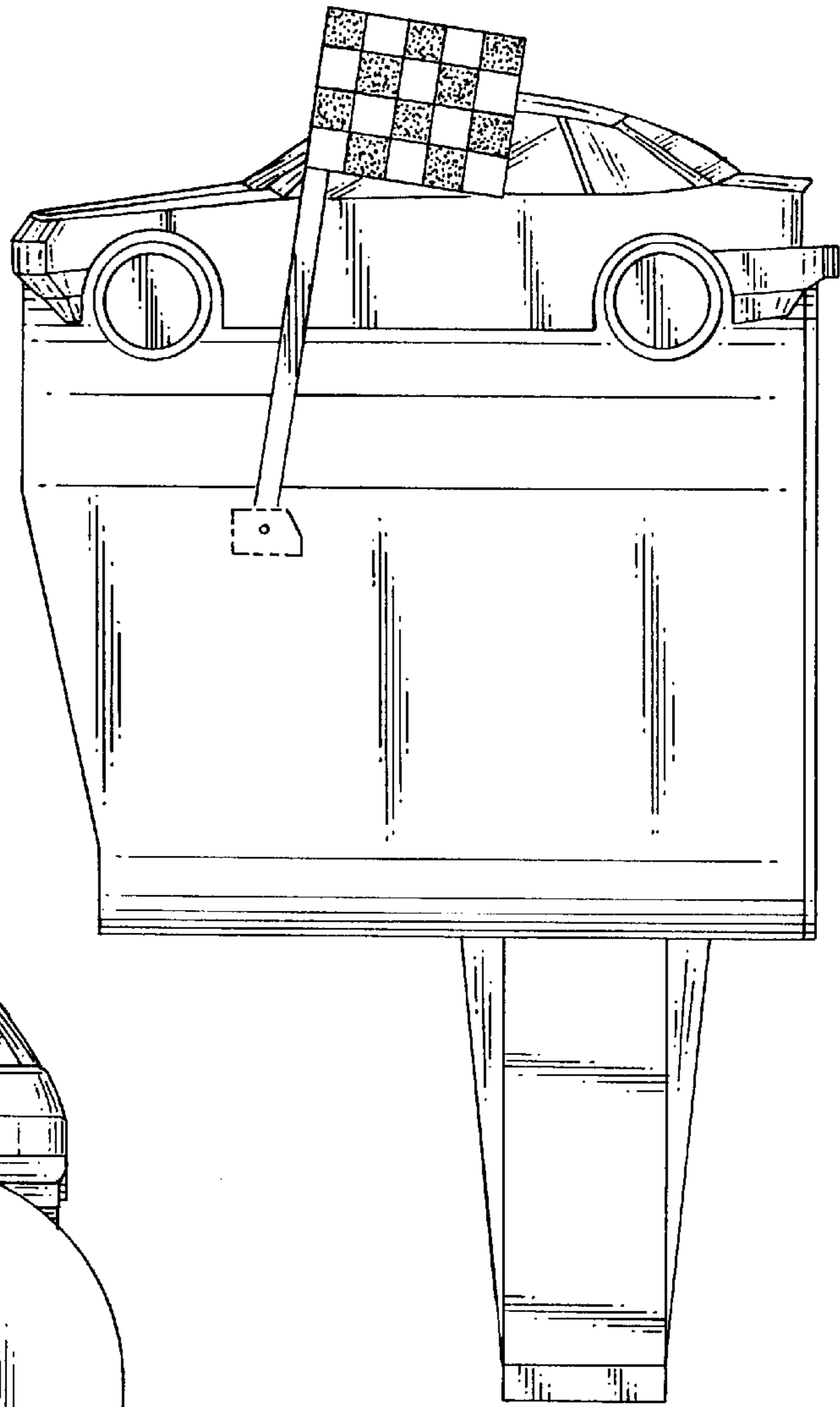


FIG.6