



US00D413420S

United States Patent [19]
Nimmo et al.

[11] **Patent Number: Des. 413,420**

[45] **Date of Patent: ** Aug. 31, 1999**

[54] **CONVEYOR ROLLER BEARING SUPPORT ASSEMBLY**

D. 401,717 11/1998 Grueber et al. D34/29
5,421,442 6/1995 Agnoff .

[75] Inventors: **Frank D. Nimmo**, Cincinnati; **William R. Merz**, Fairfield; **W. Howard Newton**, Cincinnati, all of Ohio

Primary Examiner—Susan J. Lucas
Assistant Examiner—Cynthia Ramirez
Attorney, Agent, or Firm—Jacox, Meckstroth & Jenkins

[73] Assignee: **Rolcon, Inc.**, Cincinnati, Ohio

[57] **CLAIM**

[**] Term: **14 Years**

The ornamental design of a conveyor roller bearing support assembly, as shown and described.

[21] Appl. No.: **29/092,994**

DESCRIPTION

[22] Filed: **Aug. 31, 1998**

[51] **LOC (6) Cl.** **12-05**

[52] **U.S. Cl.** **D34/29**

[58] **Field of Search** D34/28, 29, 35;
454/177, 184, 169; 198/824, 345.1; 193/37;
D15/132

FIG. 1 is a perspective view of a conveyor roller bearing support assembly showing our new design;

FIG. 2 is a side elevational view thereof, the opposite side of the conveyor roller bearing support assembly being the same in appearance;

FIG. 3 is an end view thereof; and,

FIG. 4 is an opposite end view thereof.

[56] **References Cited**

U.S. PATENT DOCUMENTS

D. 293,953 1/1988 Macneill D34/35

1 Claim, 1 Drawing Sheet

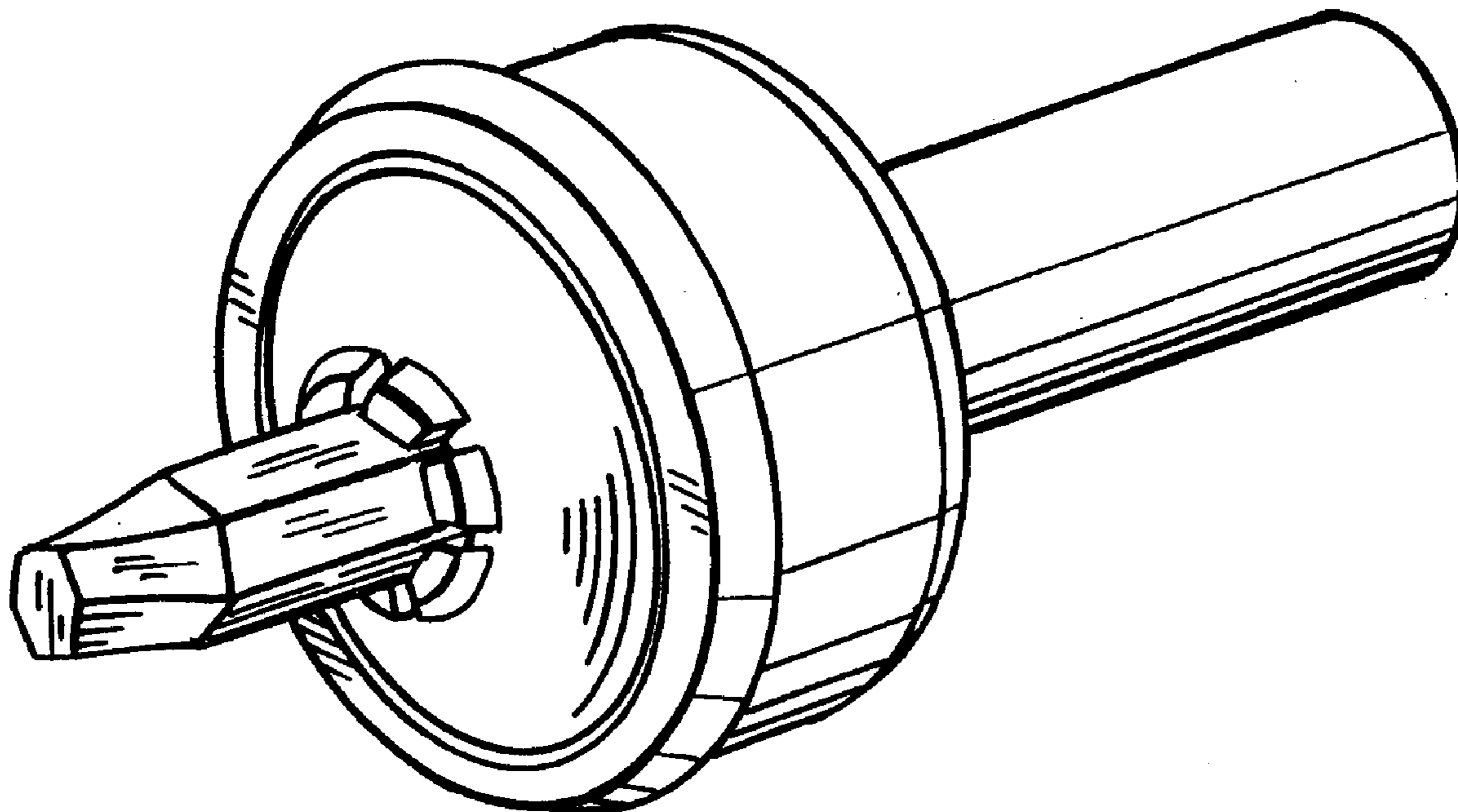


FIG-1

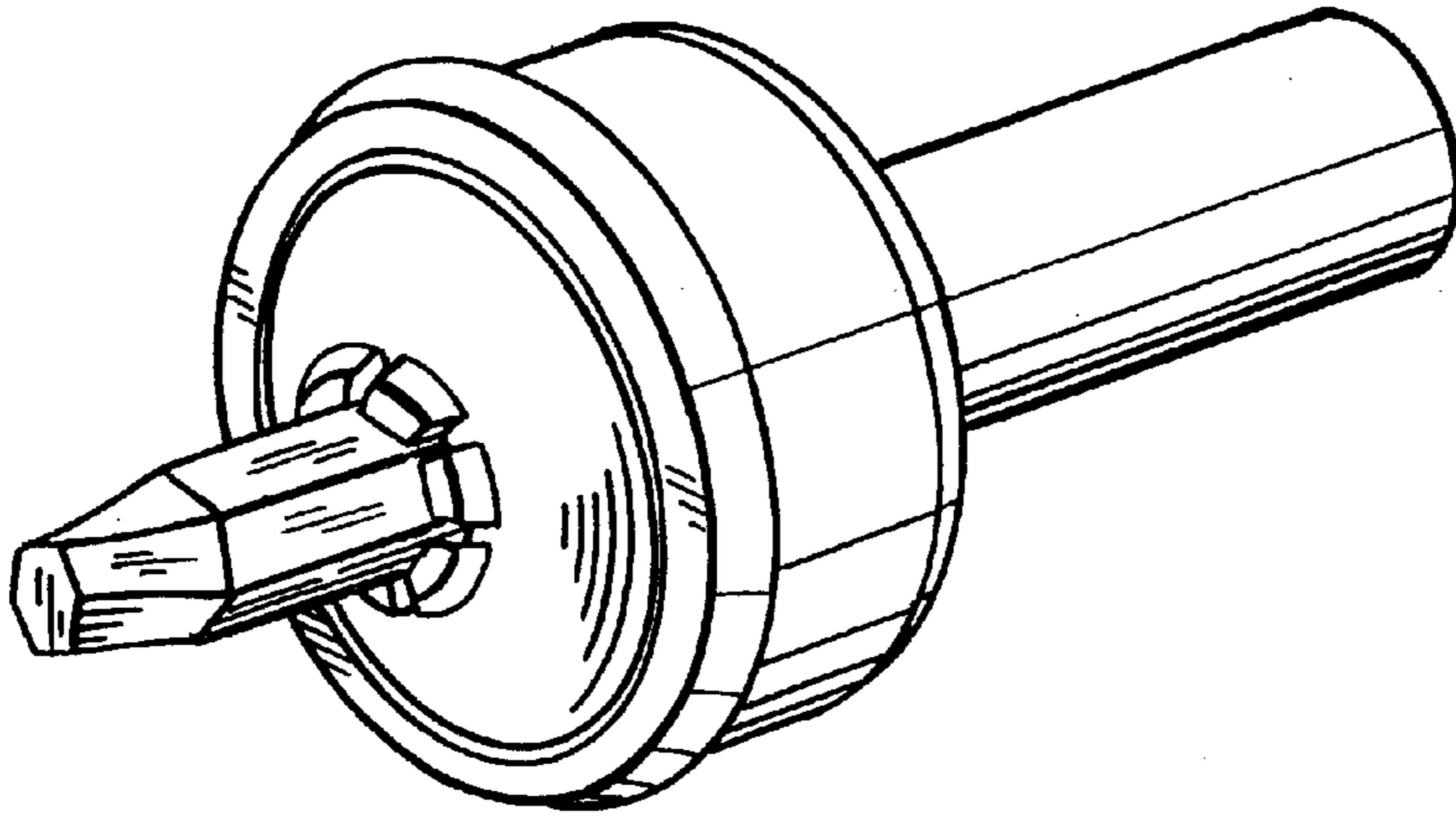


FIG-2

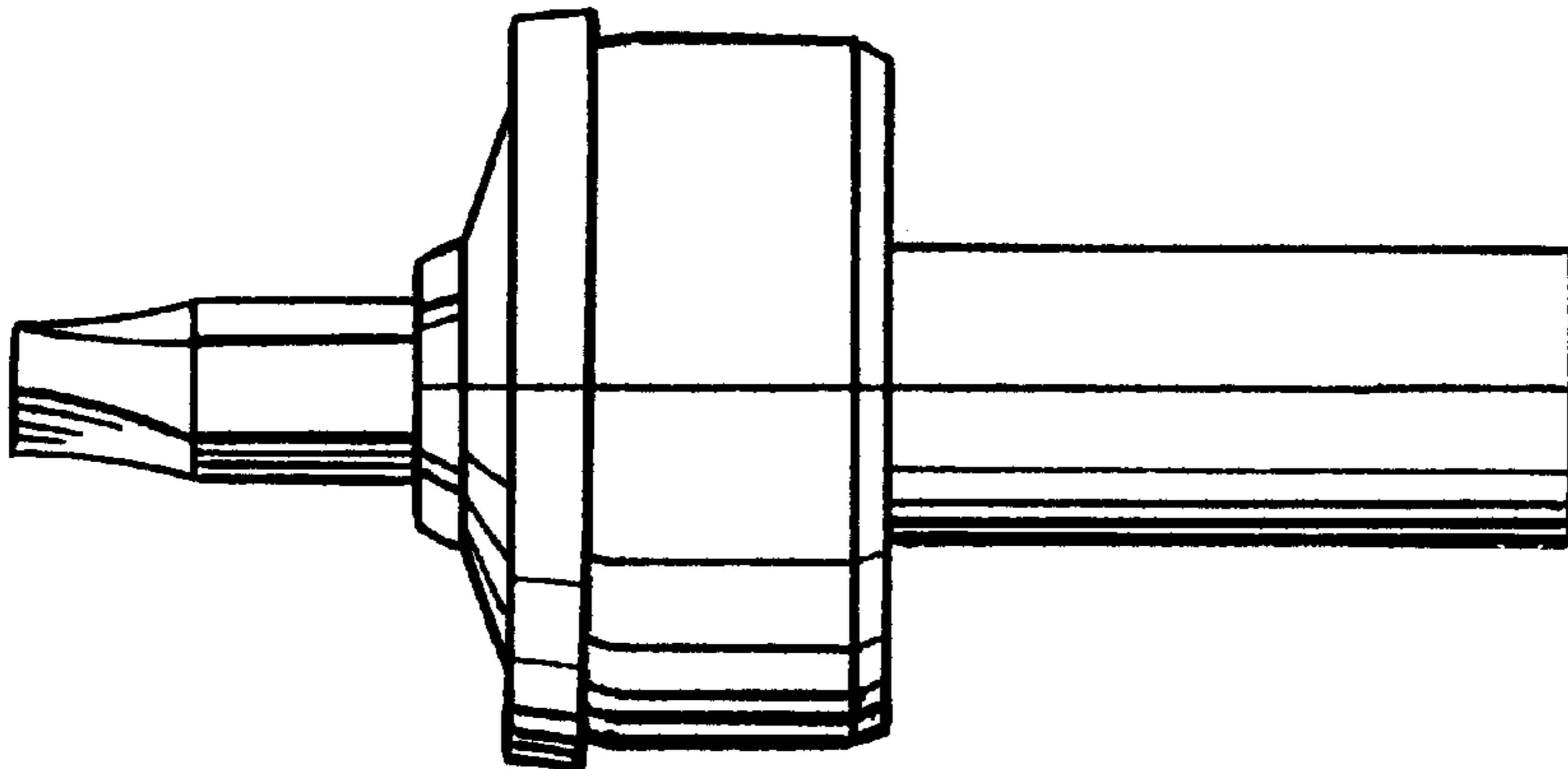


FIG-3

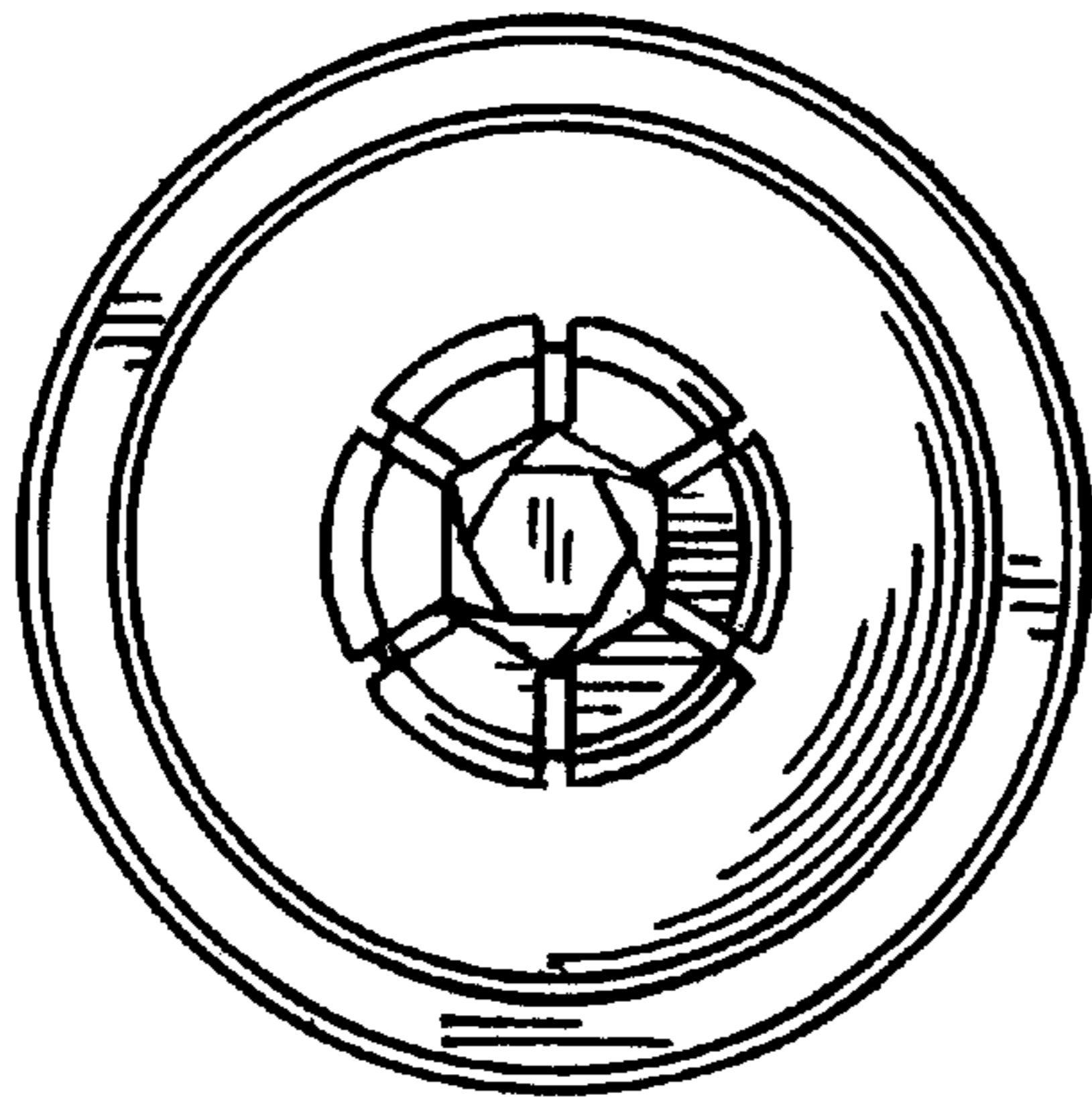


FIG-4

