



US00D413417S

United States Patent [19] Reede

[11] Patent Number: Des. 413,417

[45] Date of Patent: ** Aug. 31, 1999

[54] FLOOR SCRUBBER

[76] Inventor: Dwayne E Reede, P.O. Box 365,
Norwalk, Conn. 06852

[**] Term: 14 Years

[21] Appl. No.: 29/077,204

[22] Filed: Sep. 29, 1997

[51] LOC (6) Cl. 04-01

[52] U.S. Cl. D32/50

[58] Field of Search D32/35, 40, 49,
D32/50, 51, 52; 15/115, 119.2, 116.2, 118,
229.3, 229.6, 228.8, 229.7, 229.8

[56] **References Cited**

U.S. PATENT DOCUMENTS

- D. 152,843 2/1949 Wagner .
- D. 185,727 7/1959 Yamen et al. D32/50
- D. 188,237 6/1960 Littleton D32/50
- D. 205,059 6/1966 Hughes .
- D. 213,217 1/1969 Littleton .
- D. 315,642 3/1991 Furgale D32/50 X
- D. 374,750 10/1996 Vanderhoef et al. D32/50

- 1,420,180 6/1922 Casmire .
- 1,520,148 12/1924 Shickluna .
- 1,643,637 9/1927 Chadwick .
- 2,691,185 10/1954 Jones .
- 2,974,004 3/1961 Safianoff .
- 3,224,025 12/1965 Altrock .
- 3,528,120 9/1970 Lindstrom .
- 5,625,918 5/1997 Kieson et al. 15/119.2

Primary Examiner—Susan J. Lucas

Assistant Examiner—Cynthia E Ramirez

[57] **CLAIM**

The ornamental design for a floor scrubber, as shown and described.

DESCRIPTION

FIG. 1 is a front view for a floor scrubber showing my new design.

FIG. 2 is a rear view.

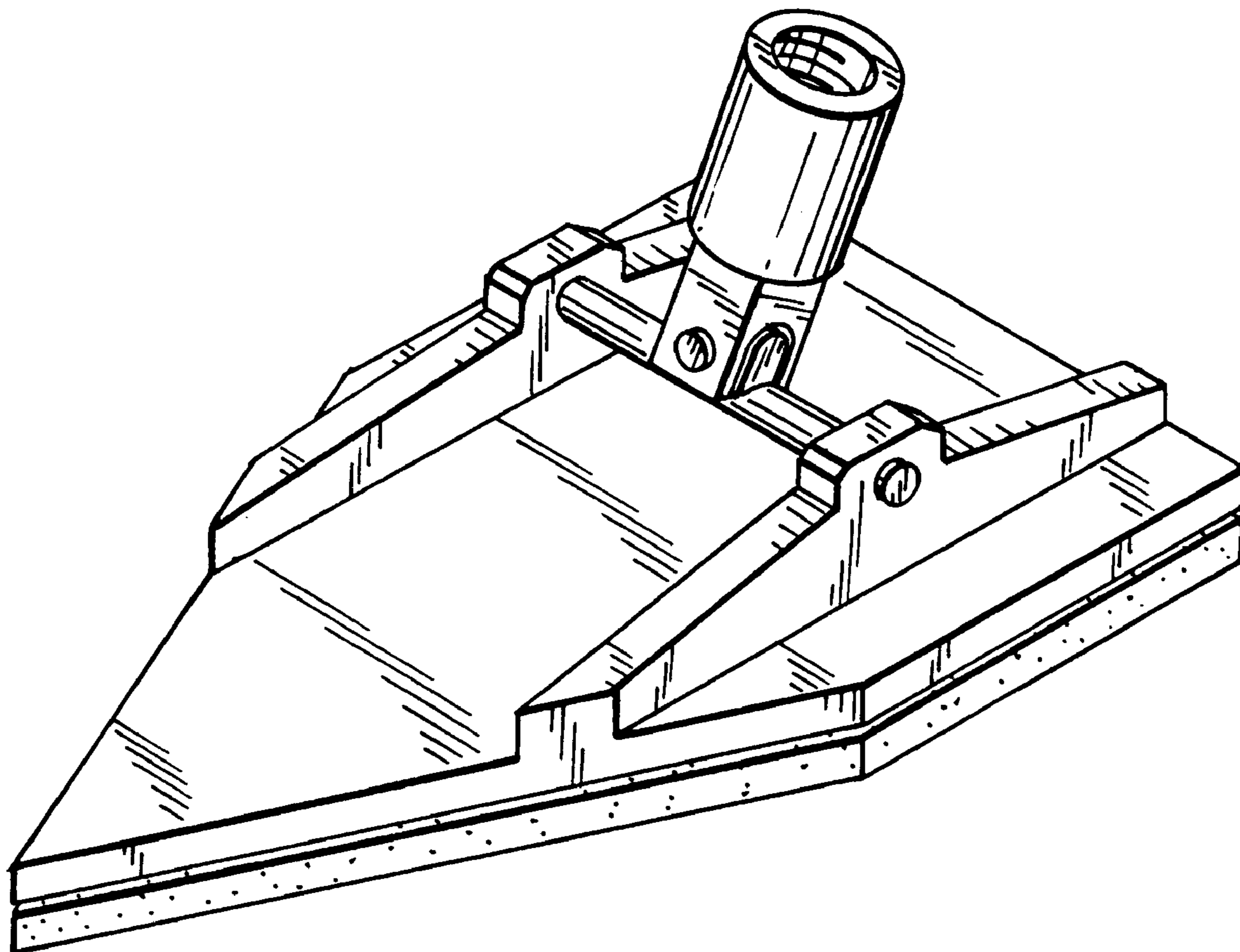
FIG. 3 is a side view, the other side being a mirror image.

FIG. 4 is a top view.

FIG. 5 is a bottom view; and,

FIG. 6 is a top, front and side perspective view.

1 Claim, 3 Drawing Sheets



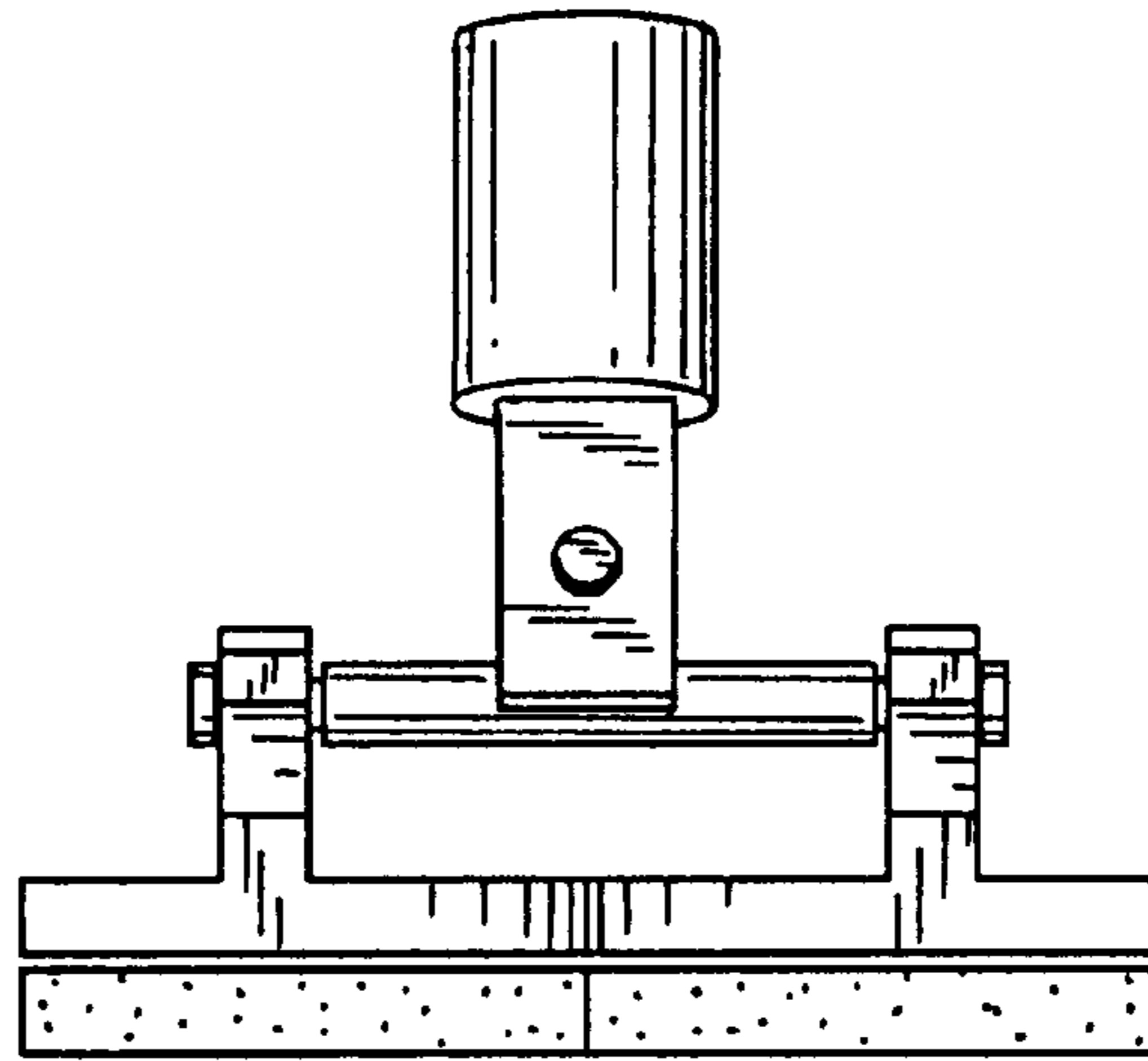


FIGURE 1

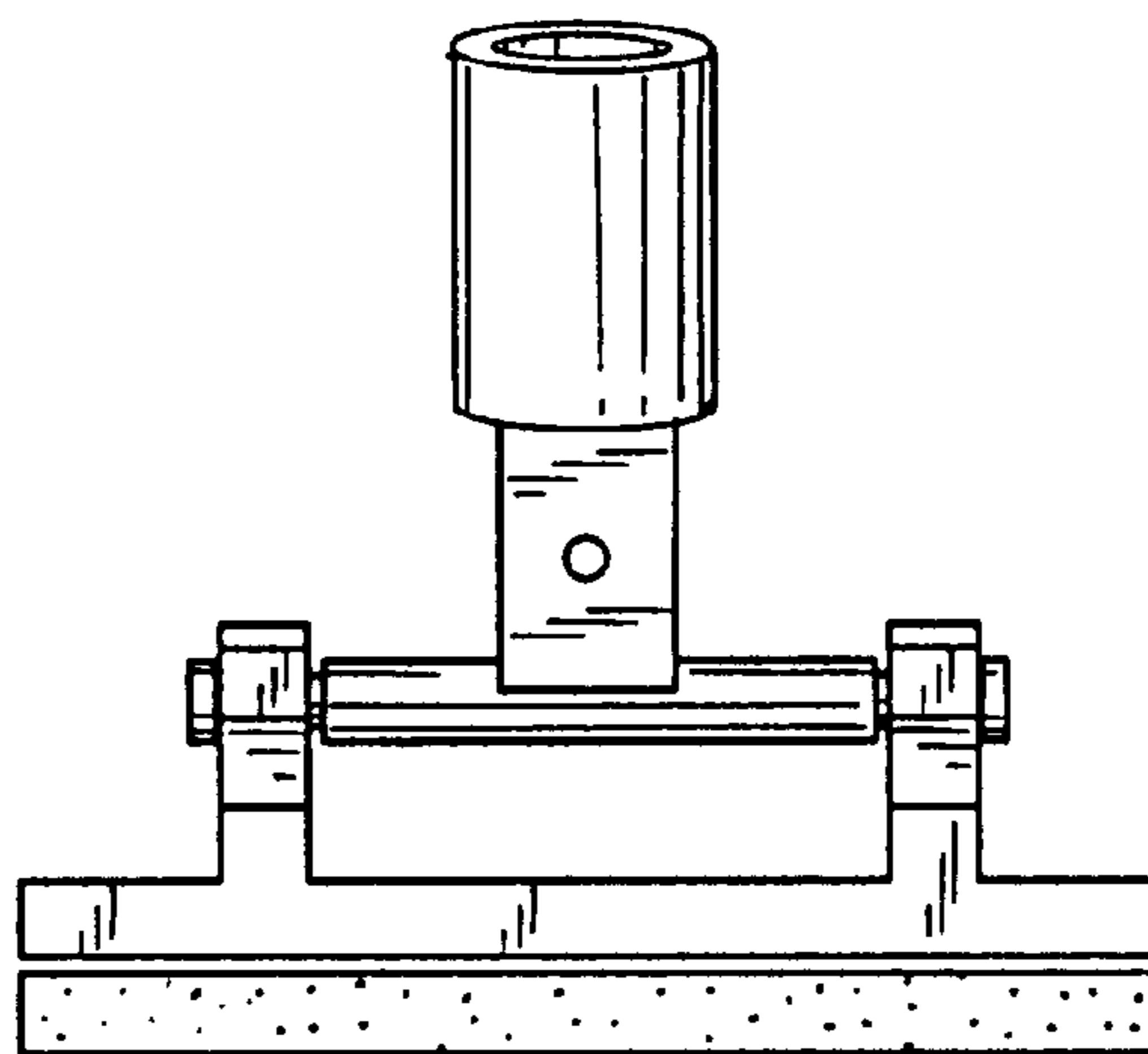


FIGURE 2

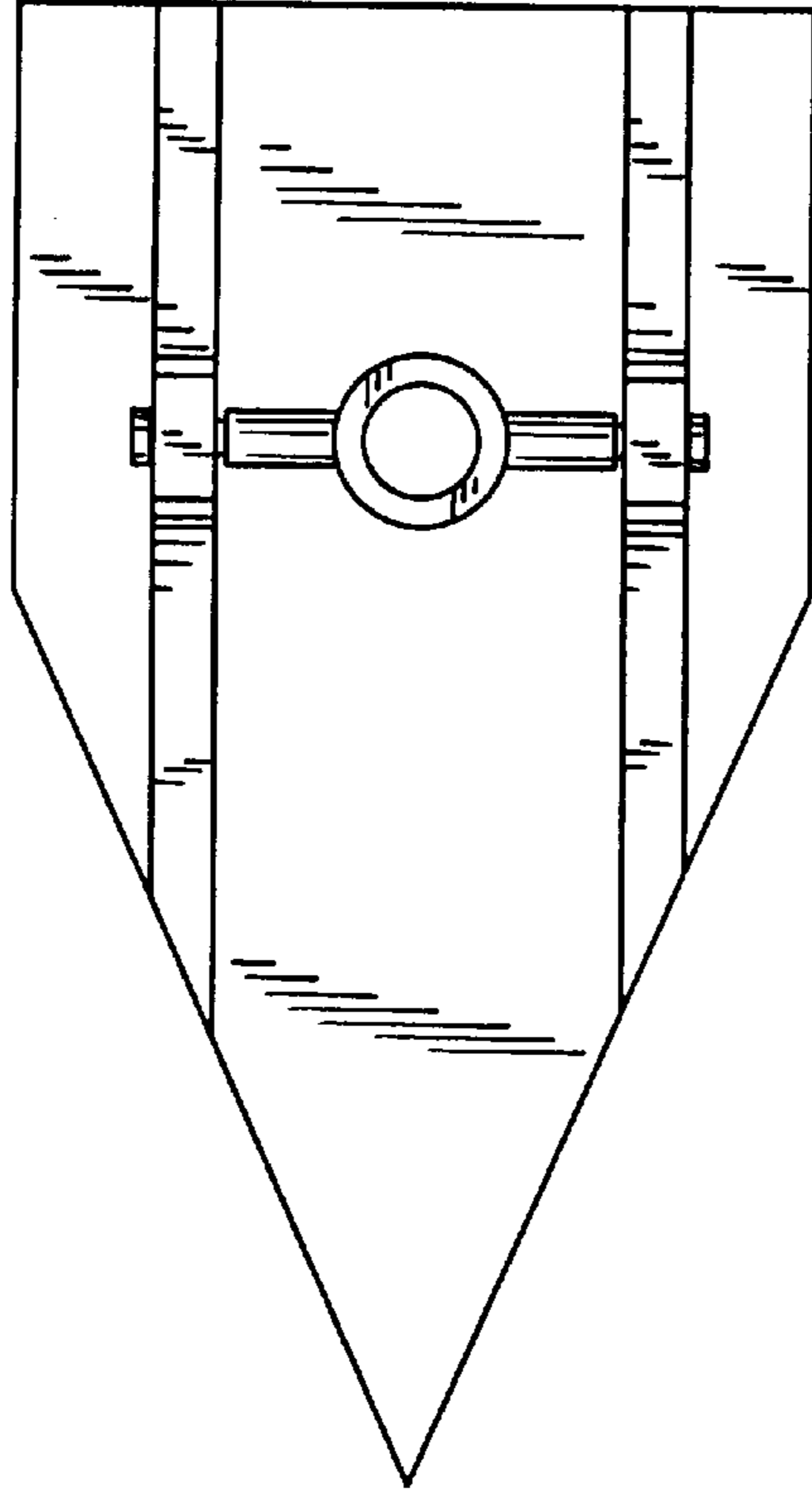


FIGURE 4

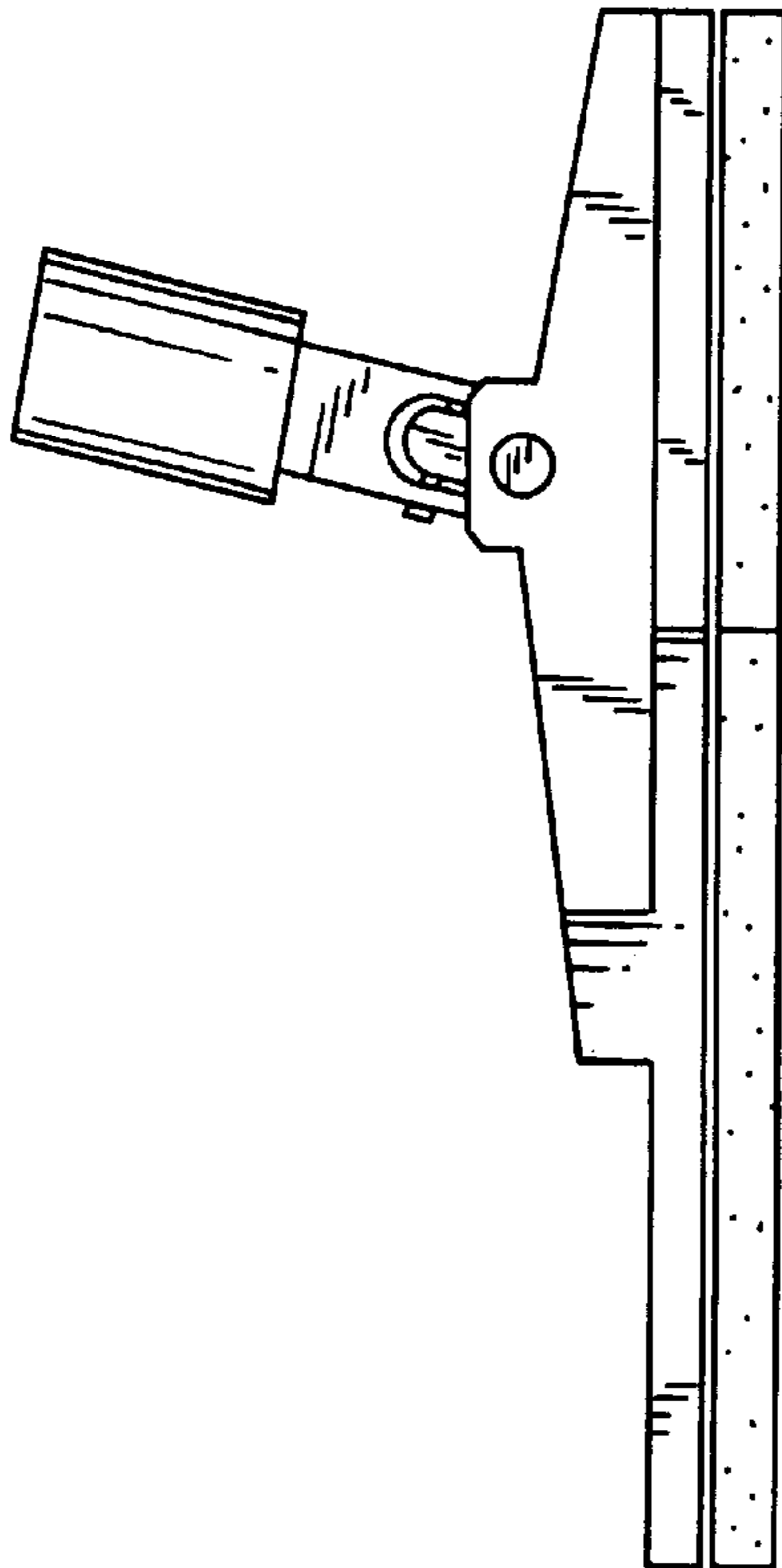


FIGURE 3

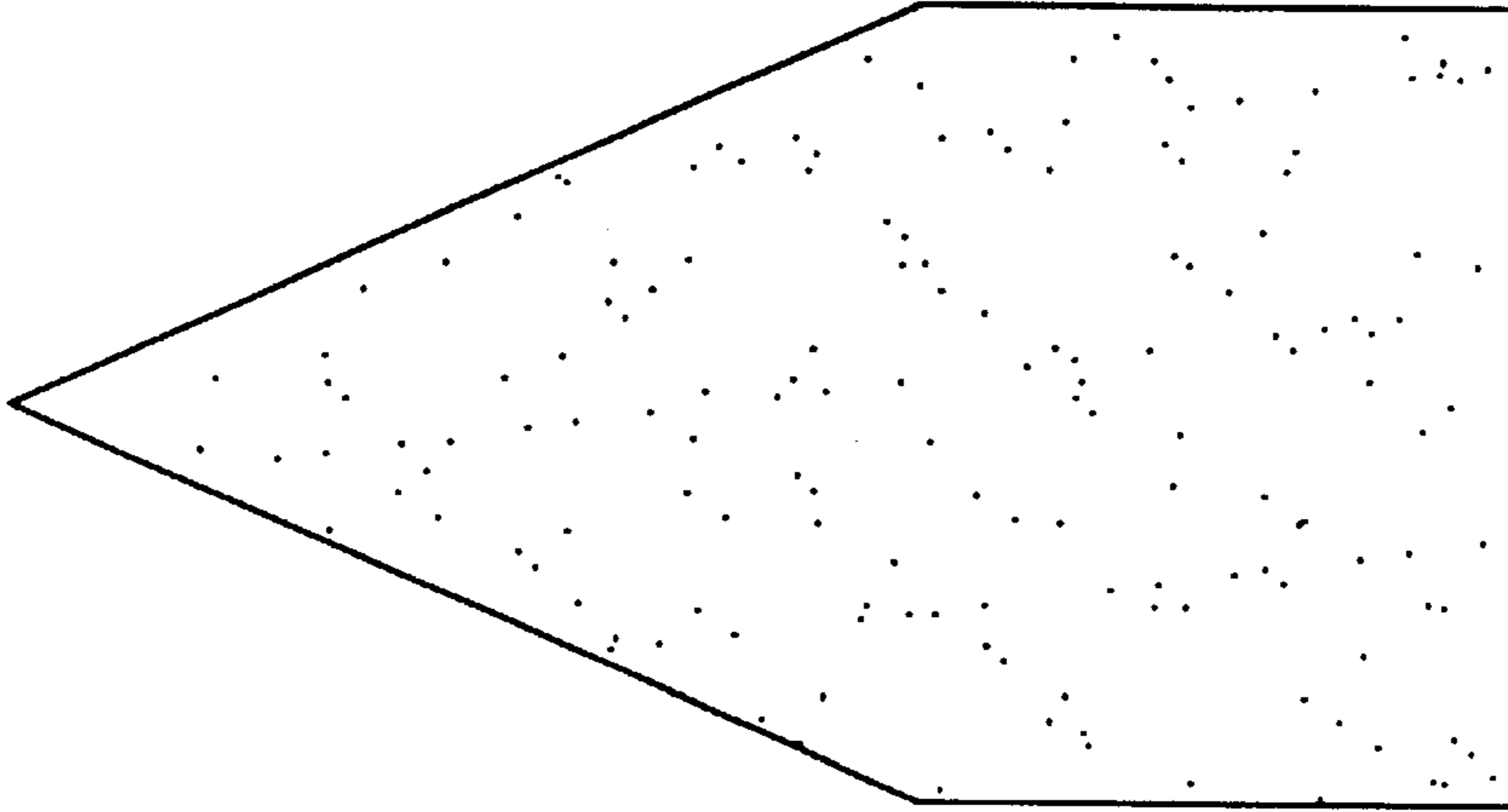


FIGURE 5

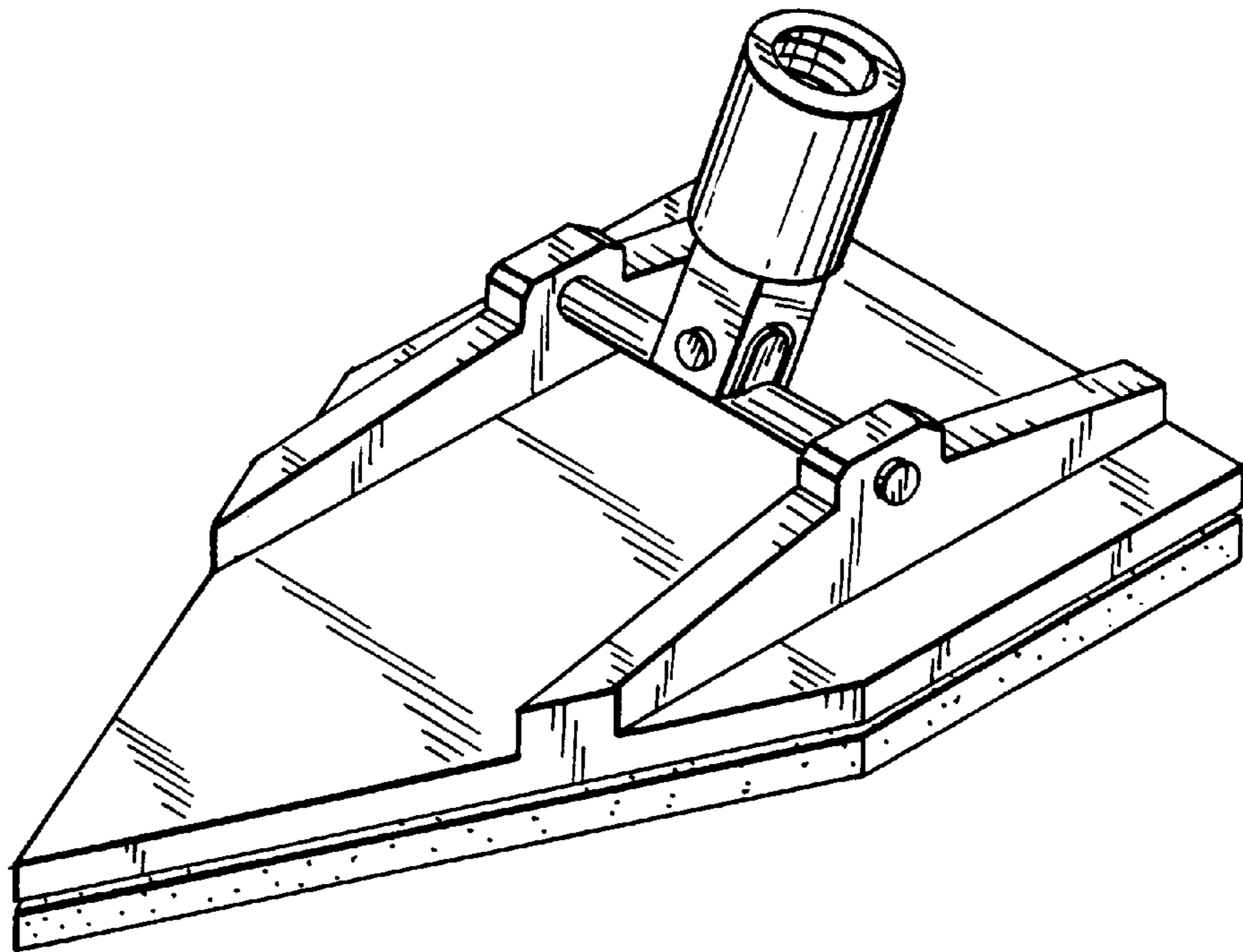


FIGURE 6