



US00D413416S

United States Patent [19] Frank

[11] Patent Number: Des. 413,416

[45] Date of Patent: ** Aug. 31, 1999

[54] CAT LITTER BOX

[76] Inventor: John H. Frank, 94 Arcade Ave.,
Seekonk, Mass. 02771

[**] Term: 14 Years

[21] Appl. No.: 29/070,537

[22] Filed: May 9, 1997

[51] LOC (6) Cl. 30-99

[52] U.S. Cl. D30/161; D30/129

[58] Field of Search D30/161, 129;
D7/605; 119/161-170, 61, 72

[56] References Cited

U.S. PATENT DOCUMENTS

D. 214,919	8/1969	Moberger	D30/161
D. 241,755	10/1976	Lowe, Jr.	D30/161
D. 245,102	7/1977	Gross	D30/129
D. 245,104	7/1977	Gross	D30/129
D. 273,718	5/1984	Dugan	D30/161
D. 288,253	2/1987	Hatton et al.	D30/161
D. 310,587	9/1990	Hinson	119/165
D. 316,011	4/1991	Guy	D30/129
D. 351,889	10/1994	Buchanan	D30/161
D. 351,905	10/1994	Lee, Jr.	D30/129
D. 355,056	1/1995	Burnet	D30/129
D. 360,497	7/1995	Lewis et al.	D30/129
D. 361,154	8/1995	Makinen	D30/129
D. 366,311	1/1996	Bonnell	D30/161
D. 370,146	5/1996	Petronio	D30/129
D. 370,749	6/1996	Lillilund et al.	D30/129
1,332,554	3/1920	Hoffner	119/72
3,152,576	10/1964	Faurot	119/72
3,811,410	5/1974	Roberts	119/163
3,954,086	5/1976	Maness	119/163
3,990,397	11/1976	Lowe, Jr.	119/165
4,271,544	6/1981	Hammond	119/165
4,436,056	3/1984	MacLeod	119/72
4,627,383	12/1986	Metzger	119/161

4,649,578	3/1987	Vargo	119/161
5,105,768	4/1992	Johnson	119/61
5,297,504	3/1994	Carrico	119/61
5,345,784	9/1994	Bazemore et al.	D7/605
5,377,621	1/1995	Camm	119/61
5,406,909	4/1995	Dwenstrand	119/61
5,582,133	12/1996	Zimmerlin	119/165
5,662,066	9/1997	Reitz	119/163

FOREIGN PATENT DOCUMENTS

3539637	8/1986	Germany	119/170
---------	--------	---------	-------	---------

Primary Examiner—Cathy Anne MacCormac
Attorney, Agent, or Firm—Barlow, Josephs & Holmes, Ltd.

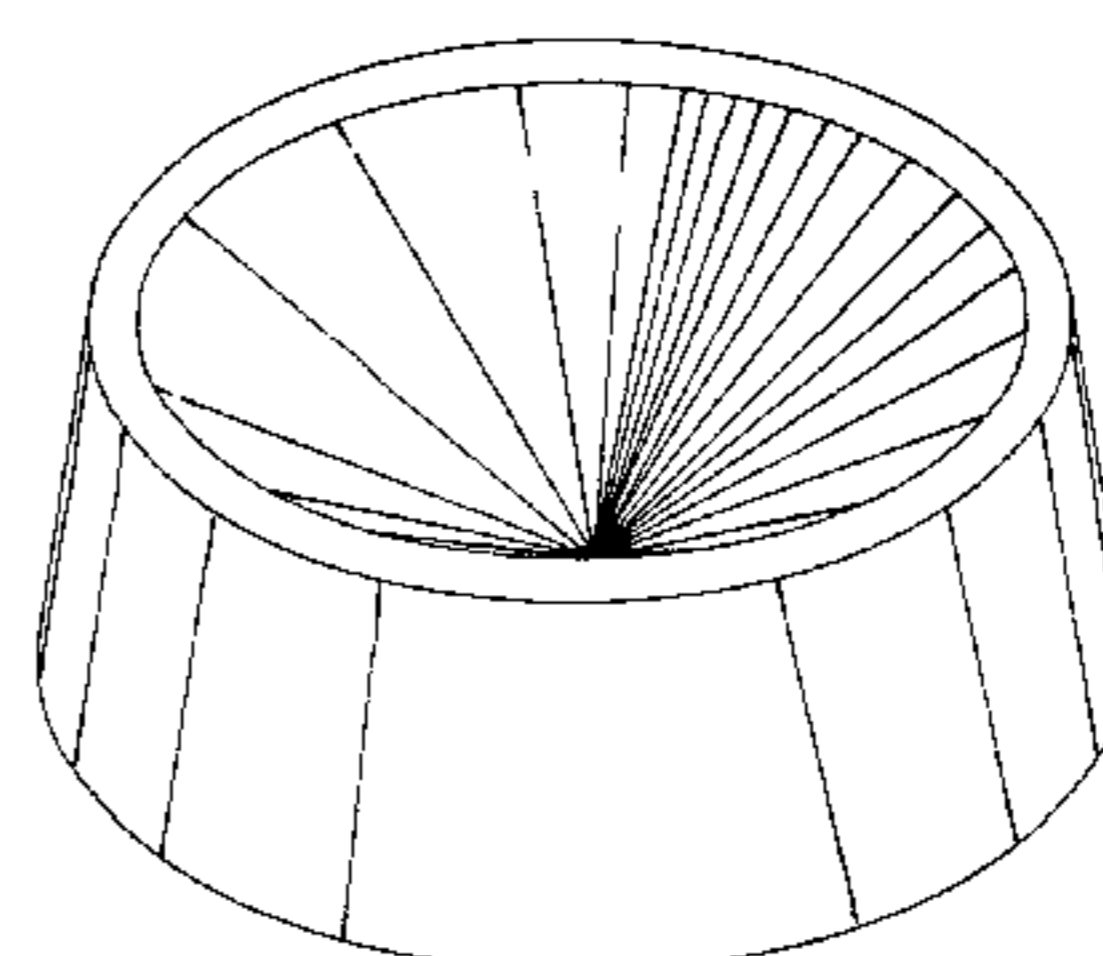
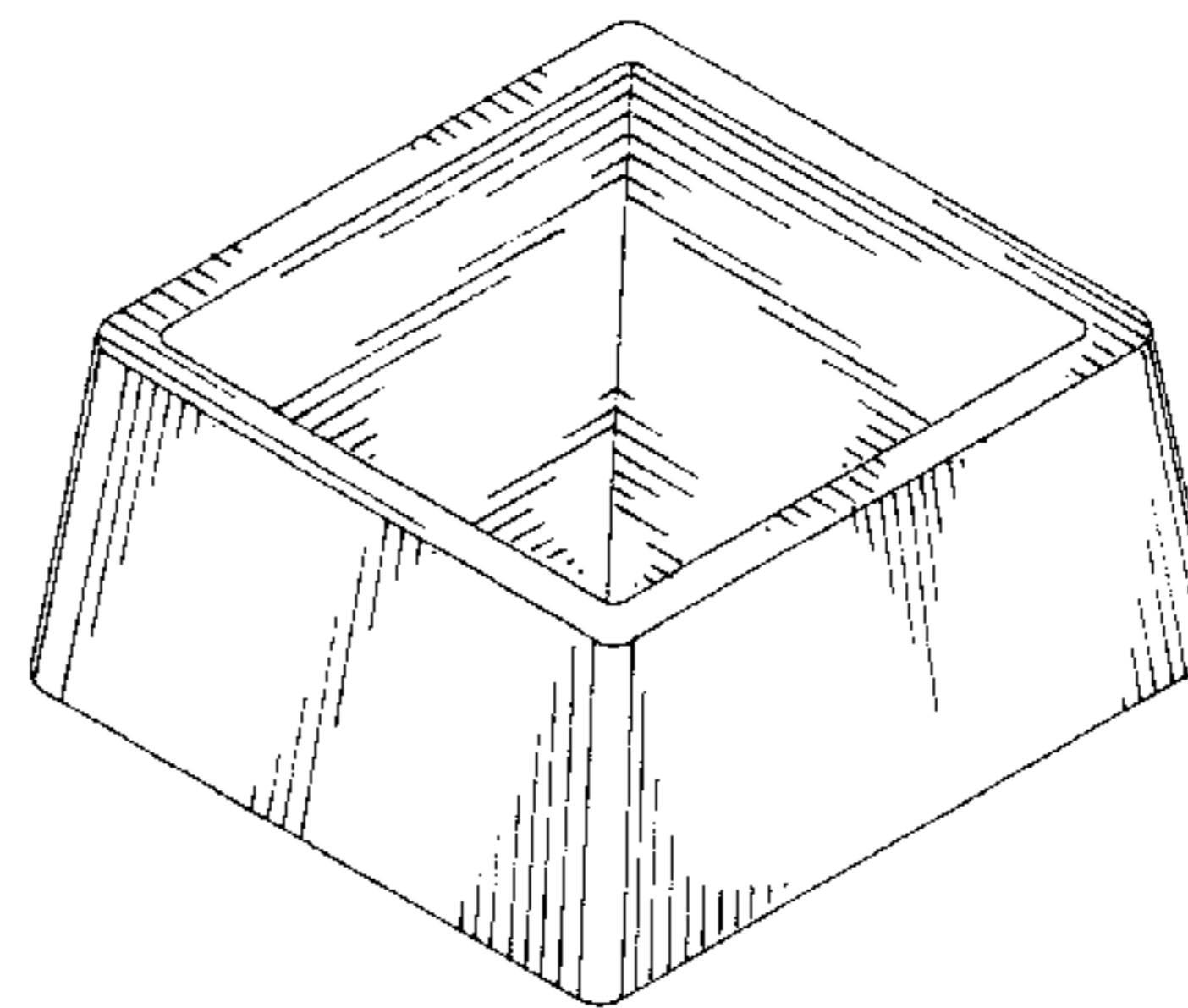
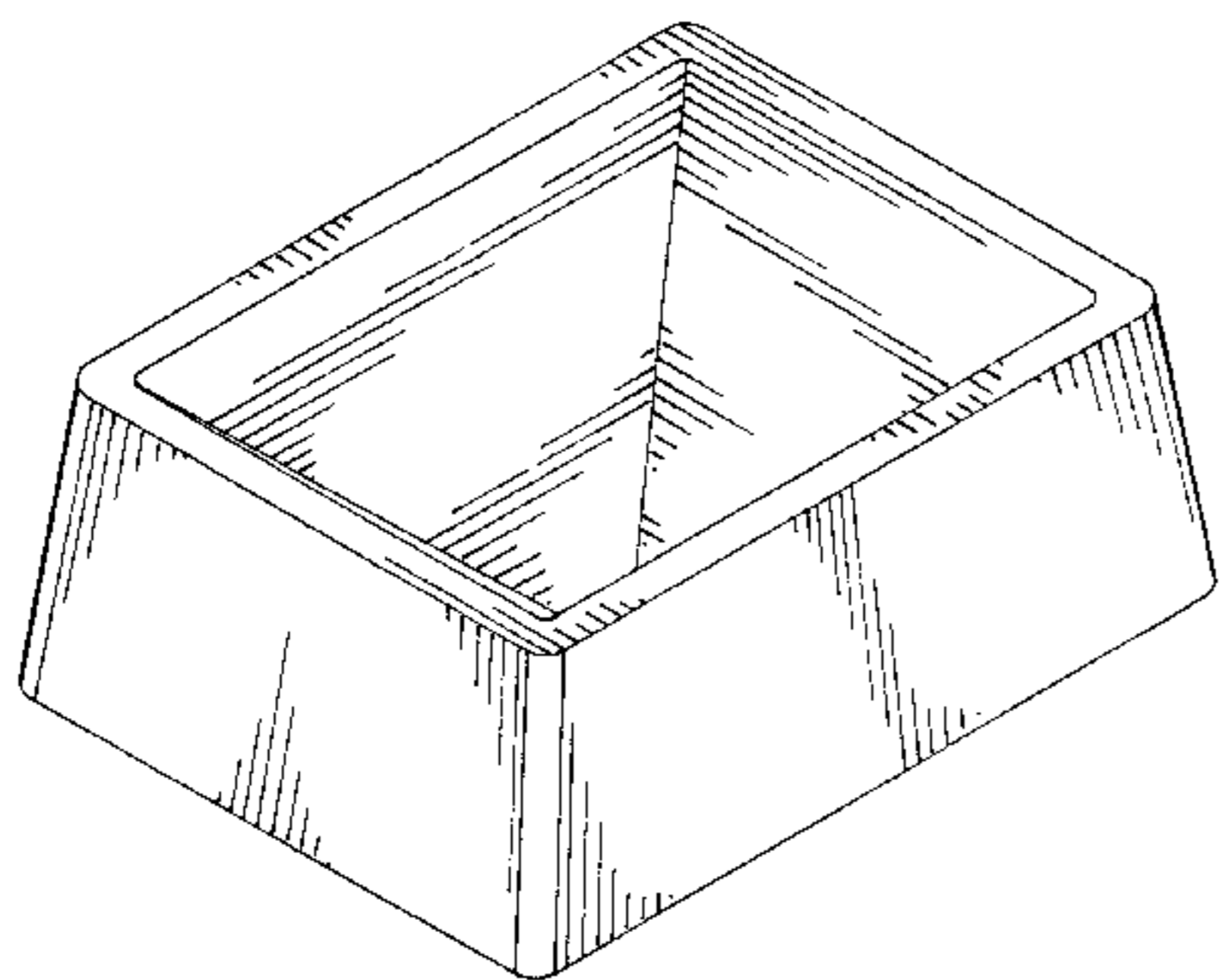
[57] CLAIM

The ornamental design for a cat litter box, as shown and described.

DESCRIPTION

FIG. 1 is a perspective view of a first rectangular embodiment of my new design for a cat litter box;
 FIG. 2 is a top view thereof;
 FIG. 3 is a bottom view thereof;
 FIG. 4 is a left side view thereof, the right side being identical;
 FIG. 5 is a front view thereof, the rear being identical;
 FIG. 6 is a cross-sectional view thereof;
 FIG. 7 is a perspective view of a second square embodiment of my new design for a cat litter box;
 FIG. 8 is a top view thereof;
 FIG. 9 is a bottom view thereof;
 FIG. 10 is a side view thereof, all four sides being identical;
 FIG. 11 is a perspective view of a third round embodiment of my new design for a cat litter box;
 FIG. 12 is a top view thereof;
 FIG. 13 is a bottom view thereof; and,
 FIG. 14 is a side view of thereof, all sides views being identical.

1 Claim, 5 Drawing Sheets



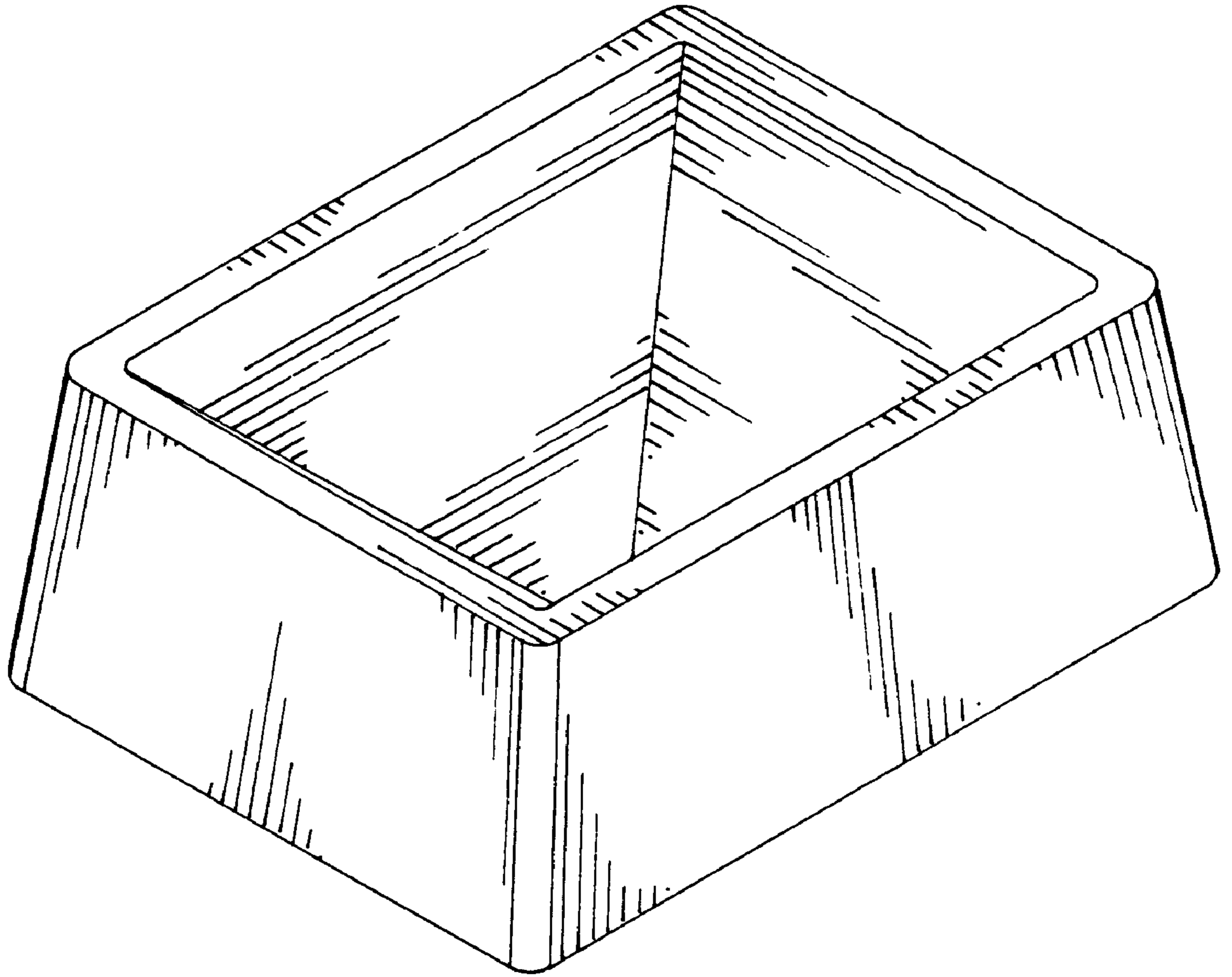


FIG. 1

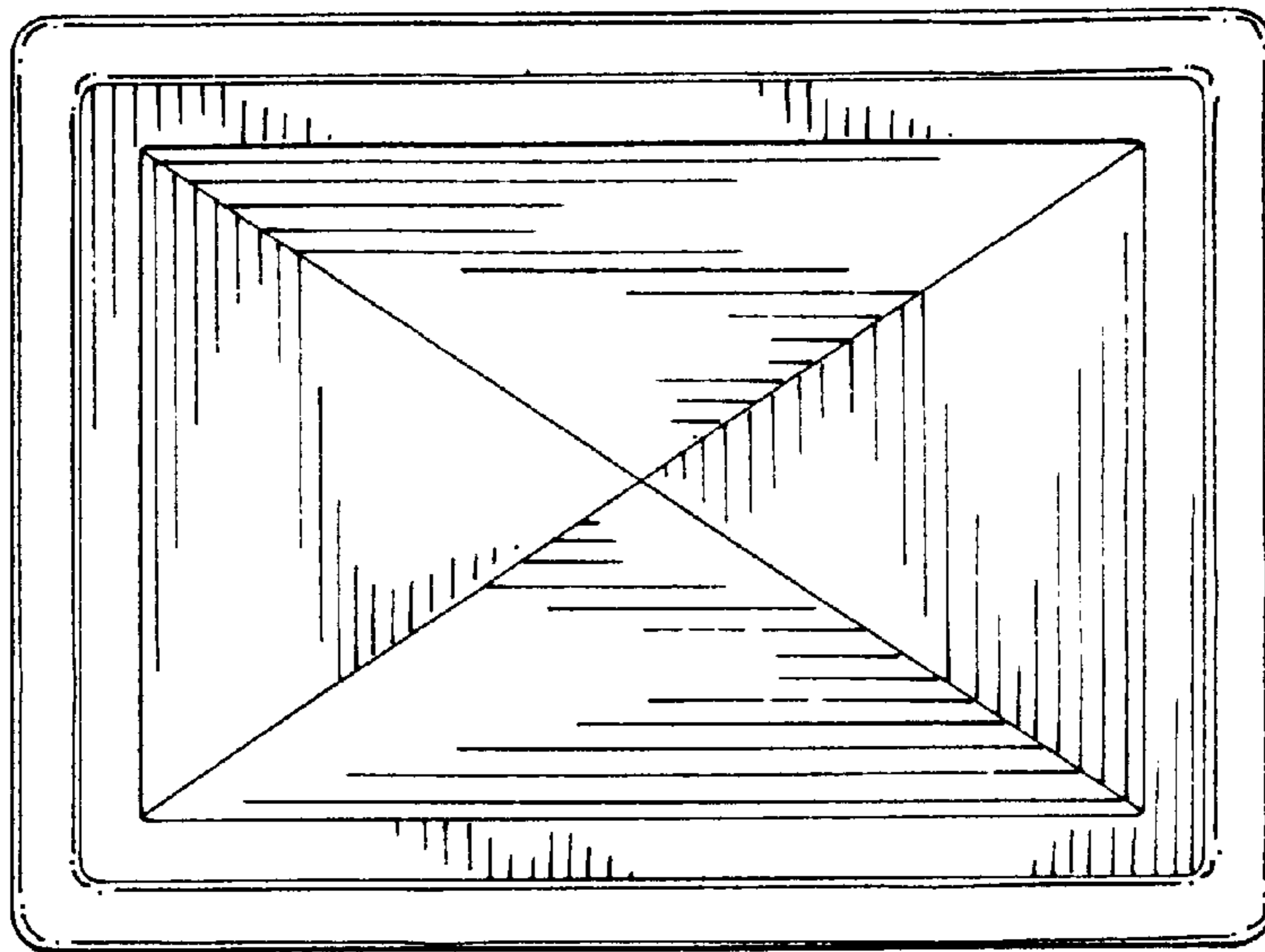


FIG. 2

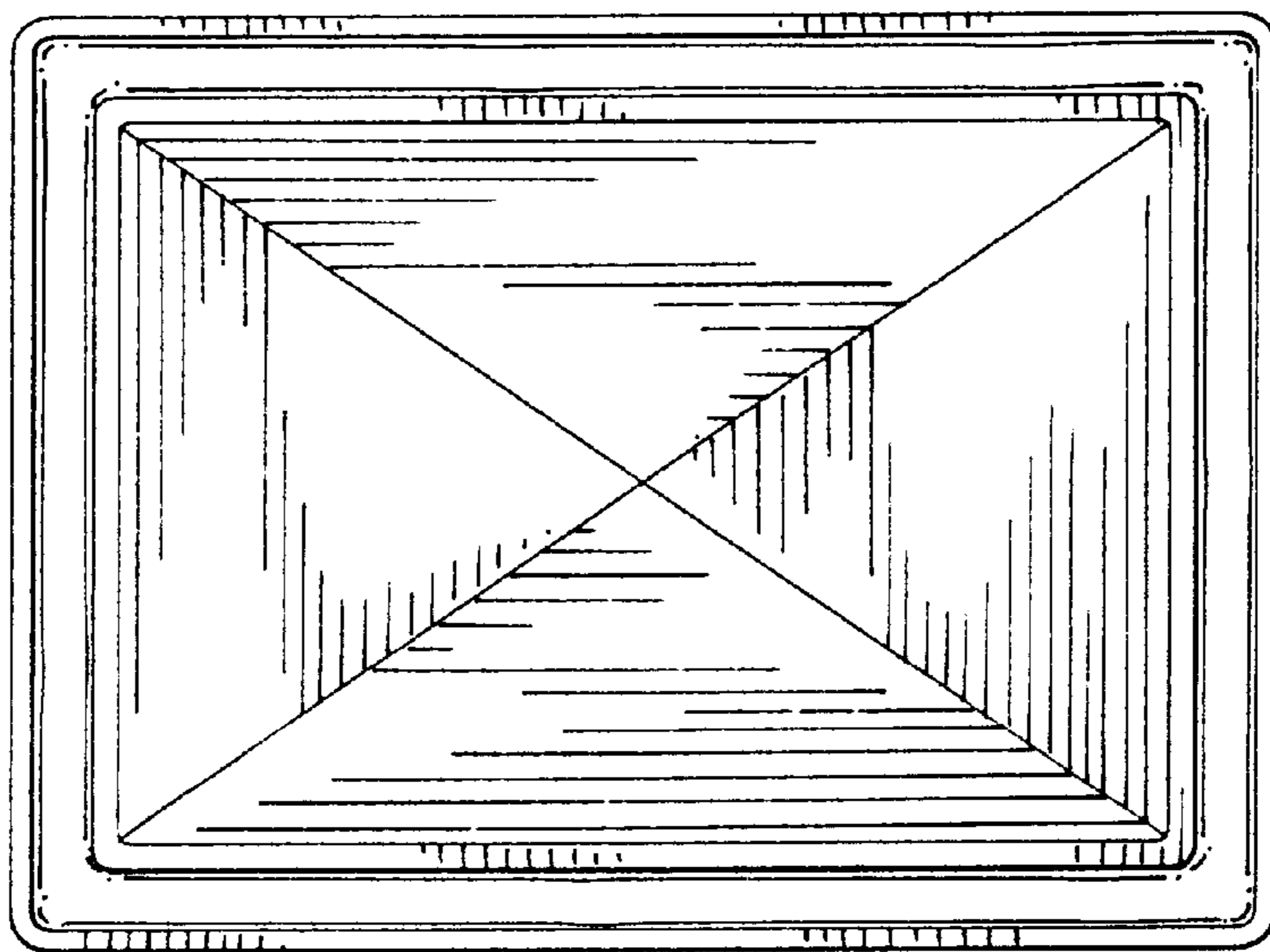


FIG. 3

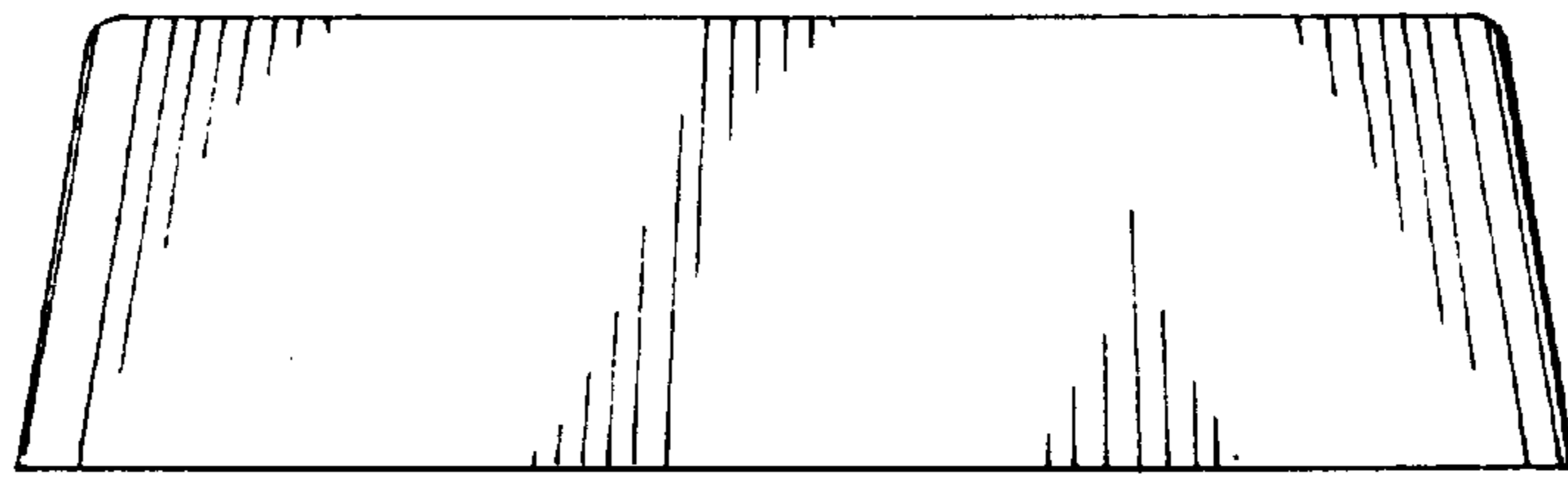


FIG. 4

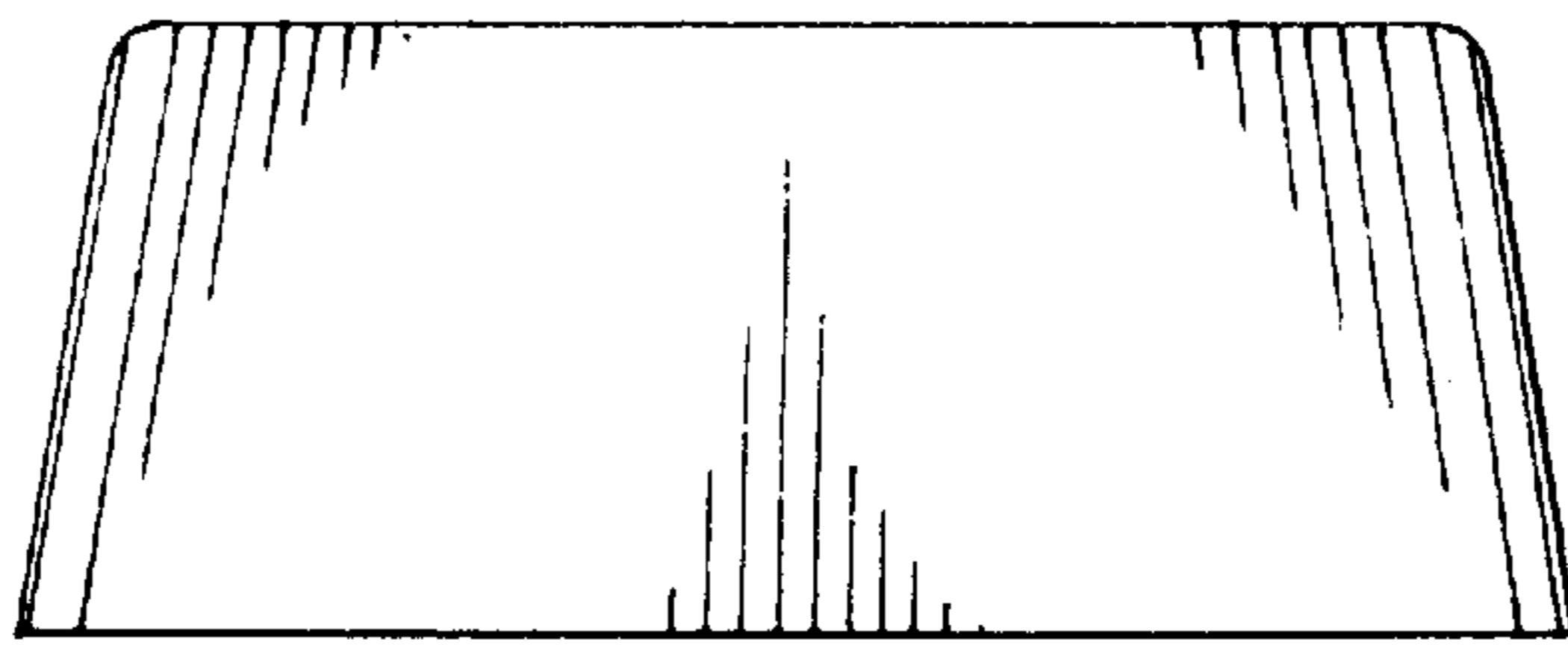


FIG. 5

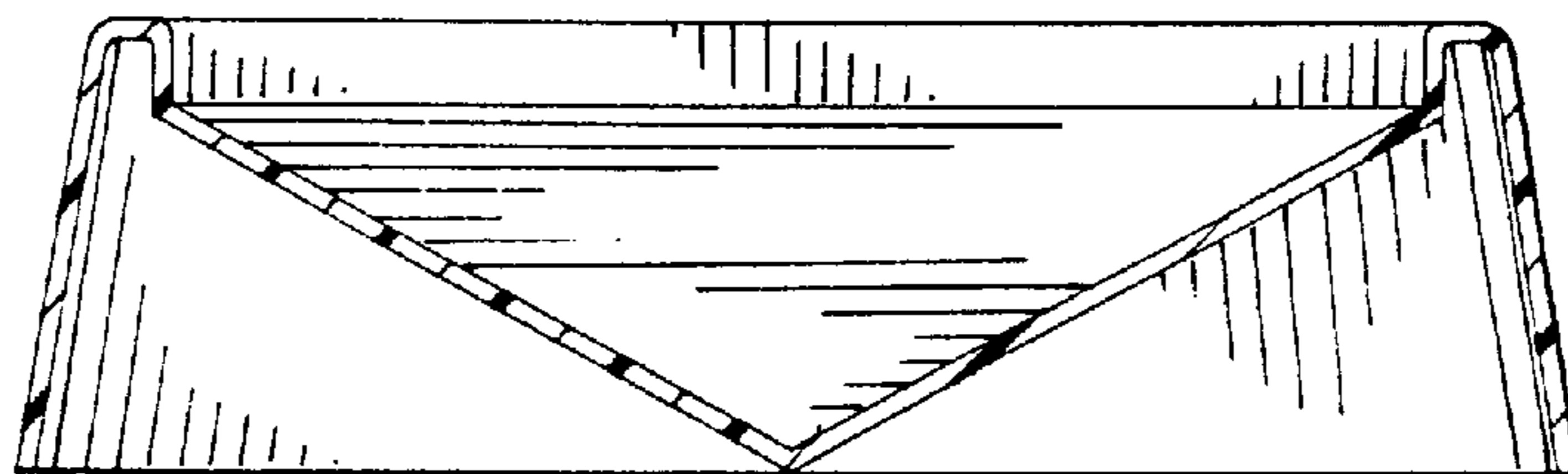


FIG. 6

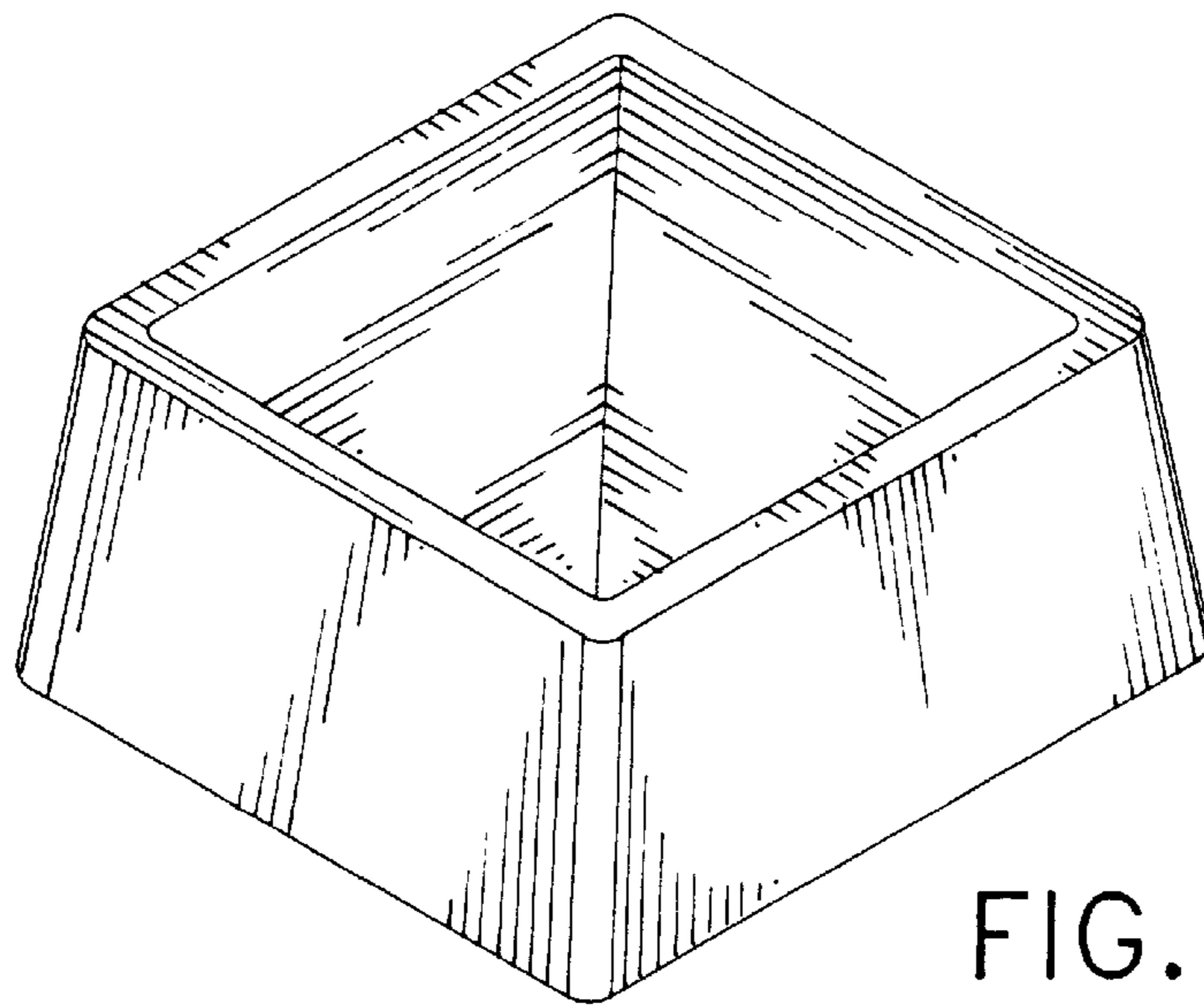


FIG. 7

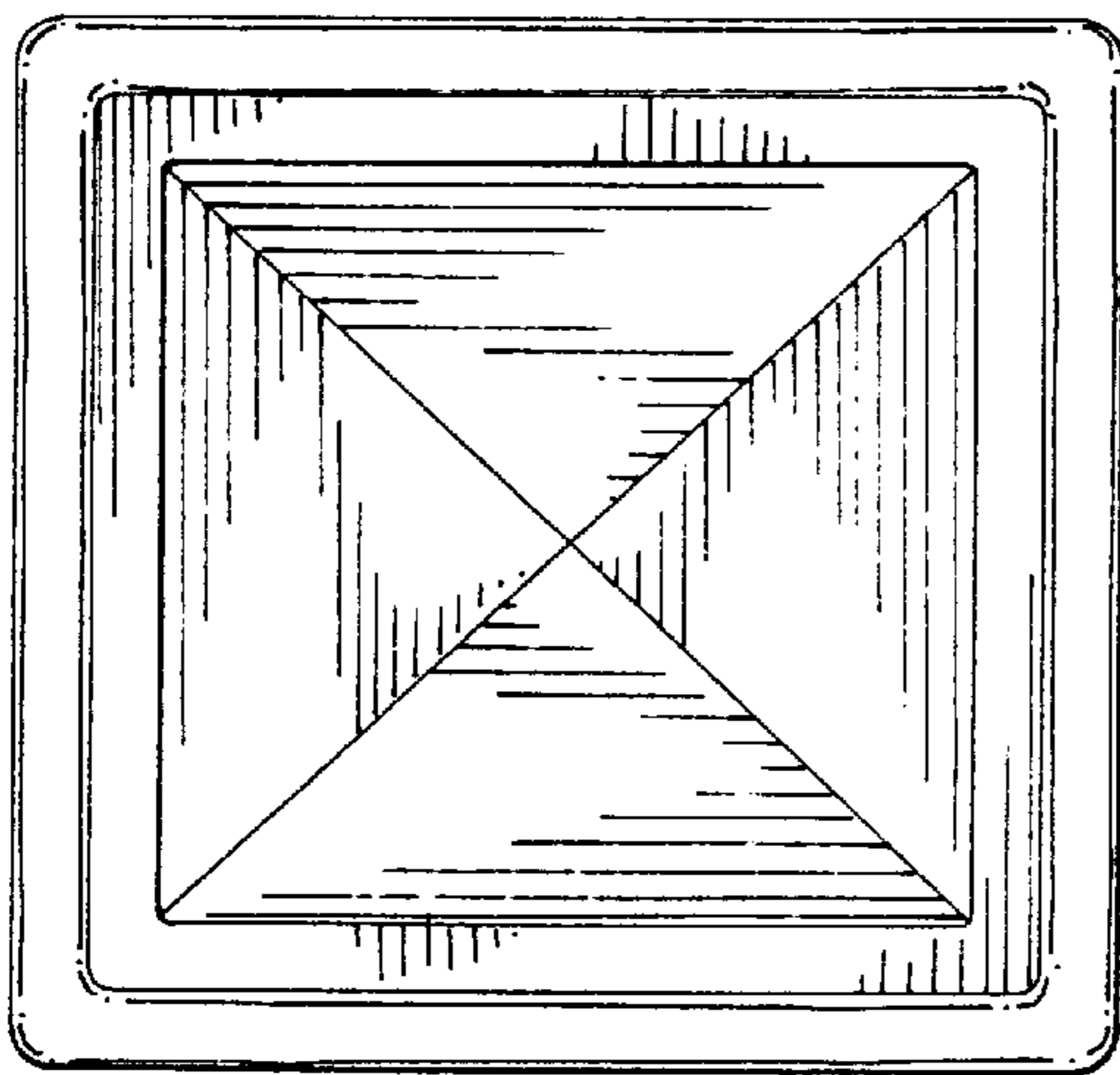


FIG. 8

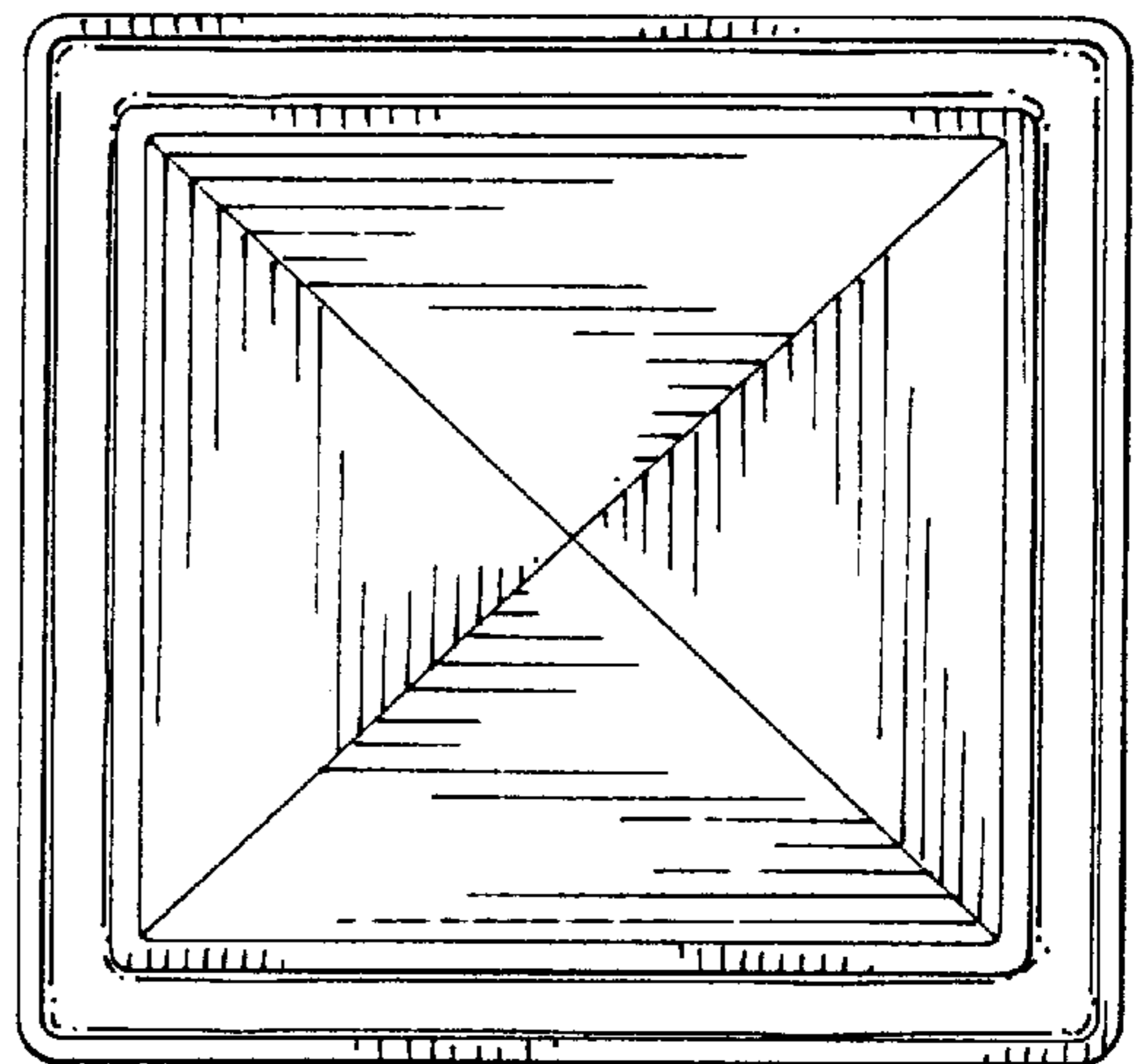


FIG. 9

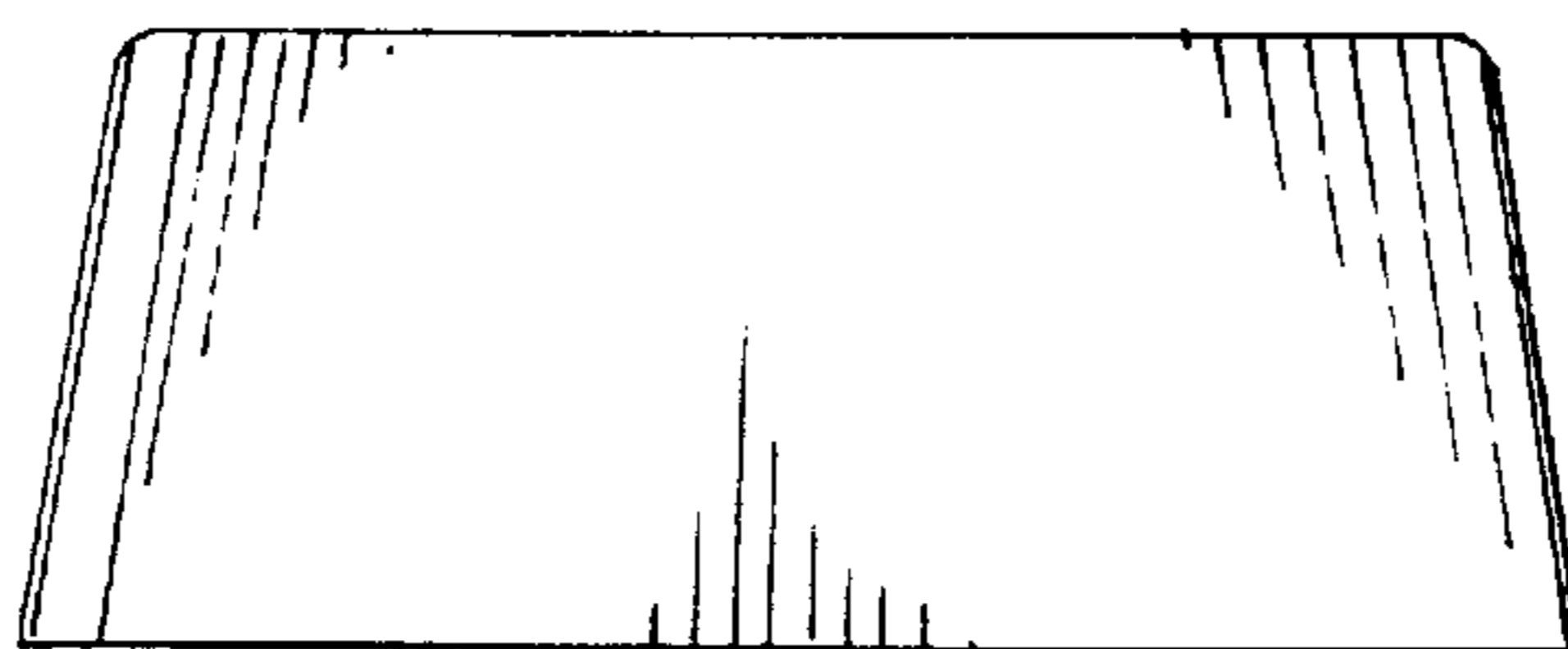


FIG. 10

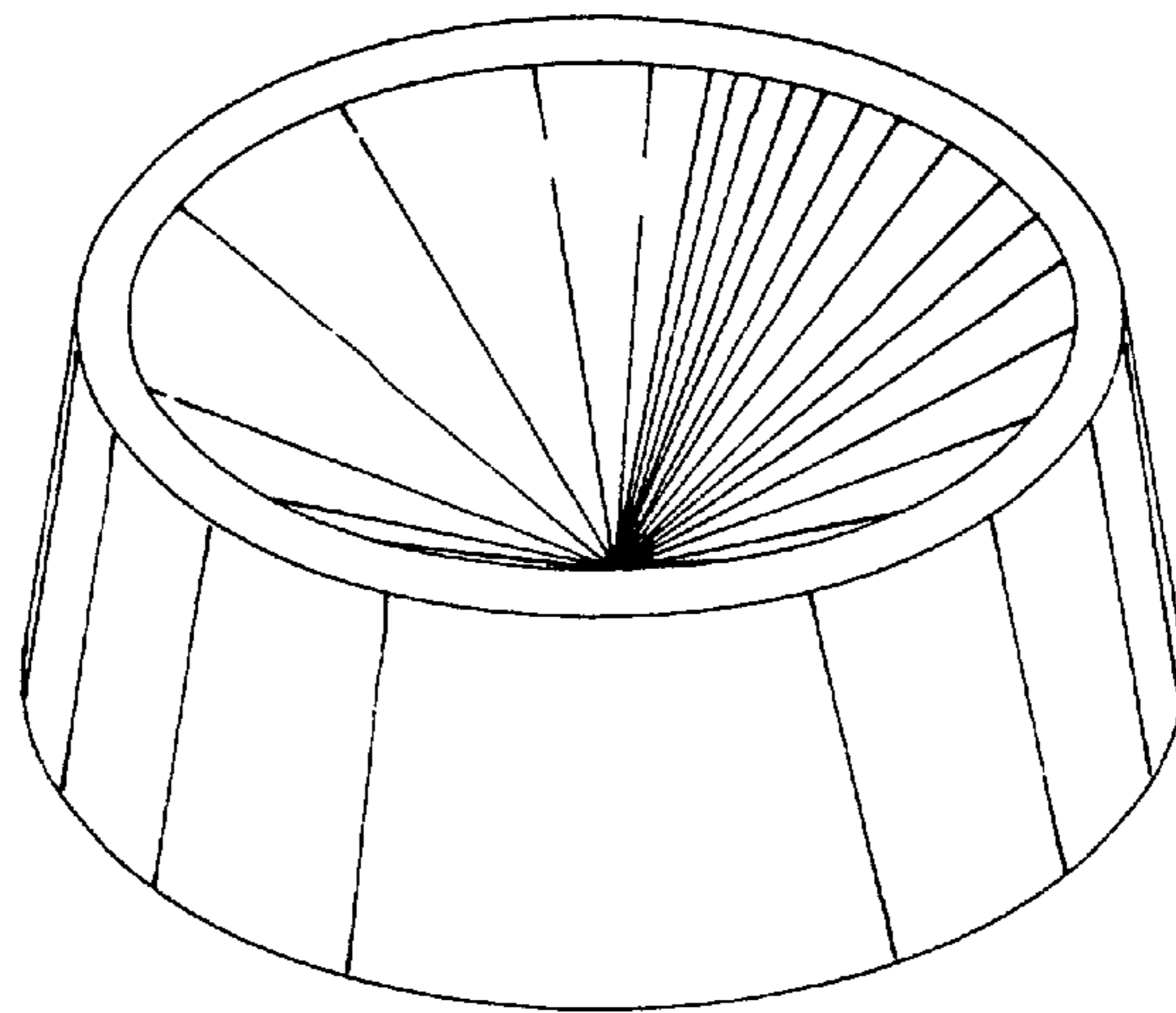


FIG. 11

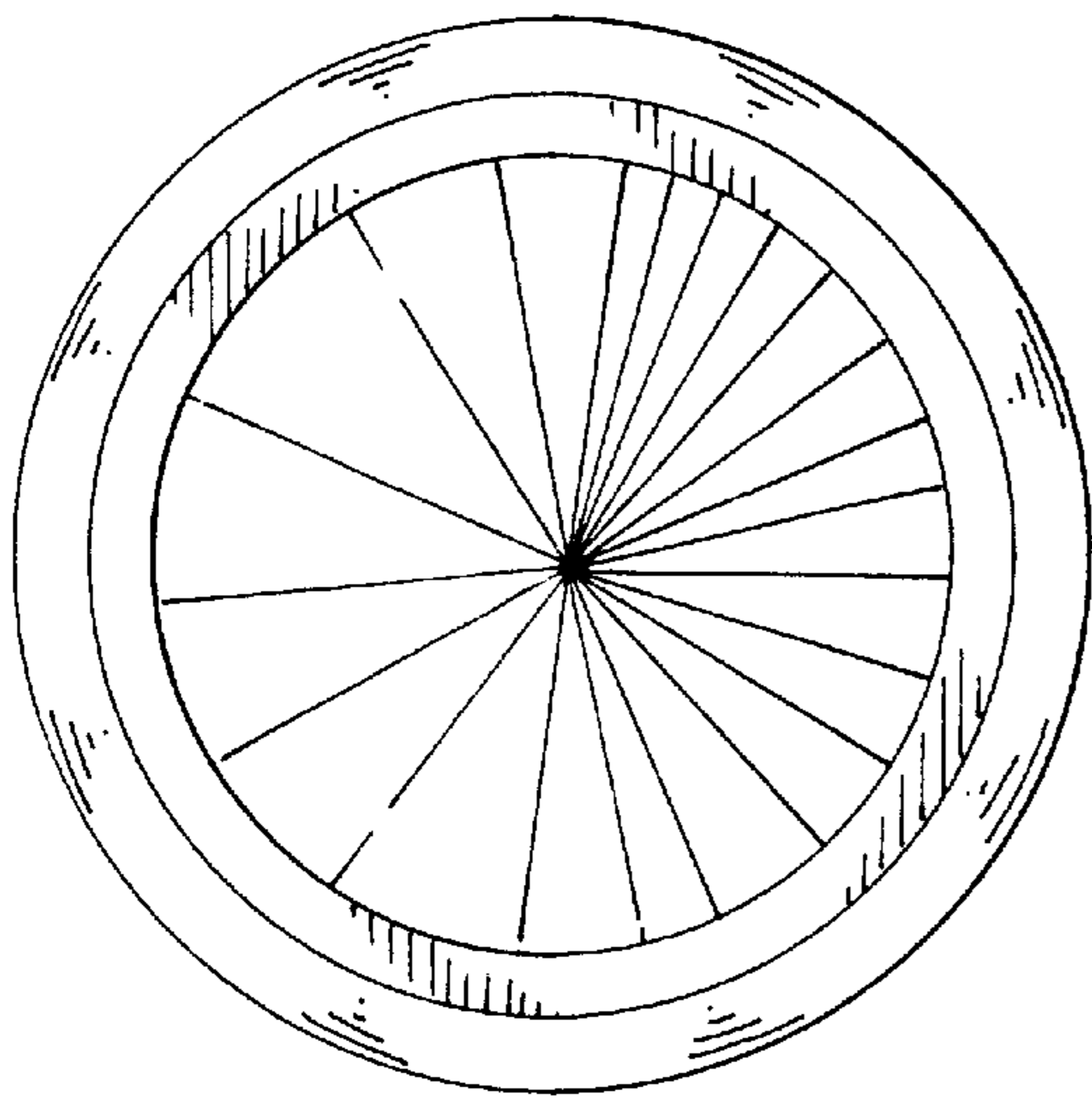


FIG. 12

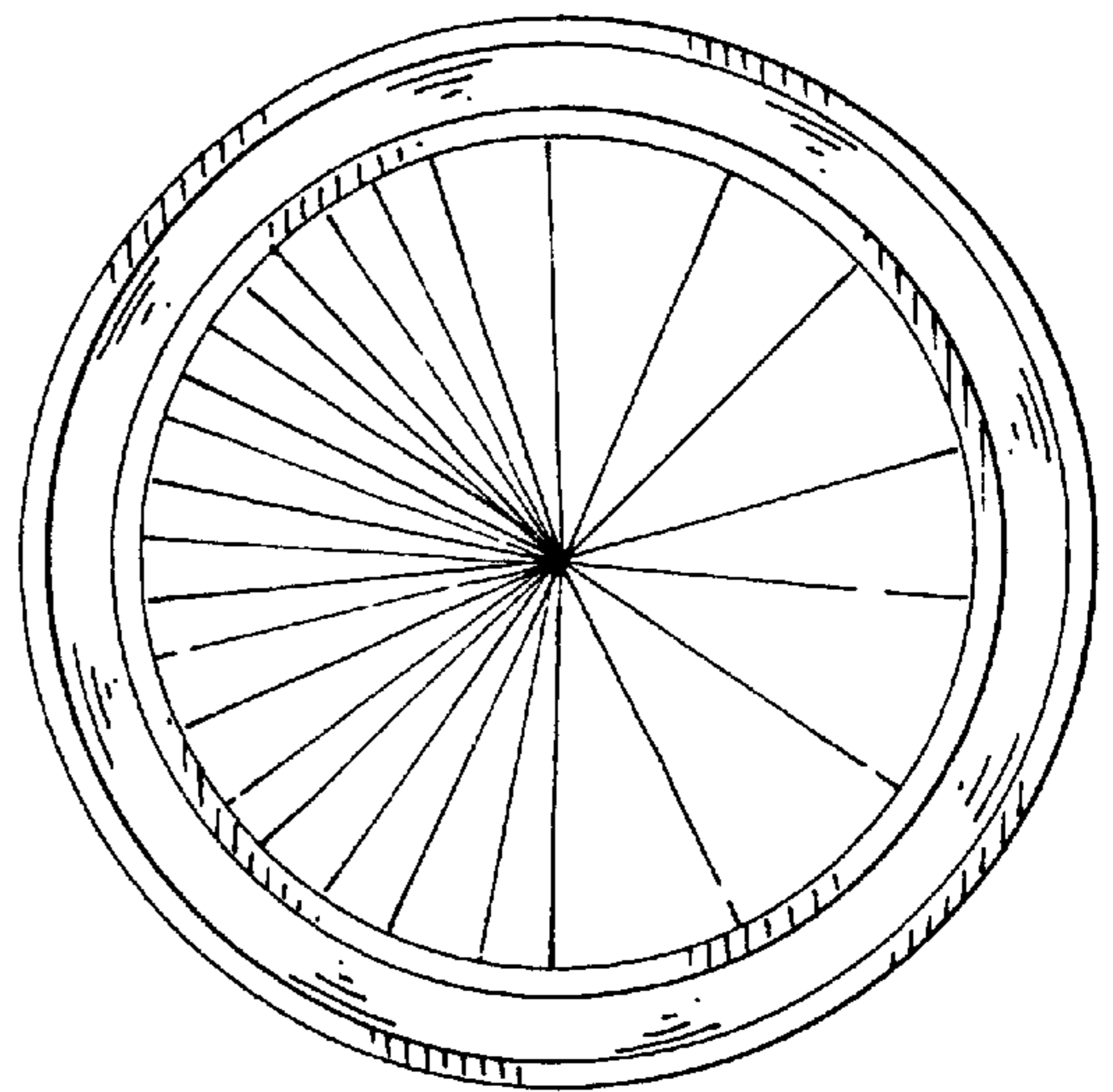


FIG. 13

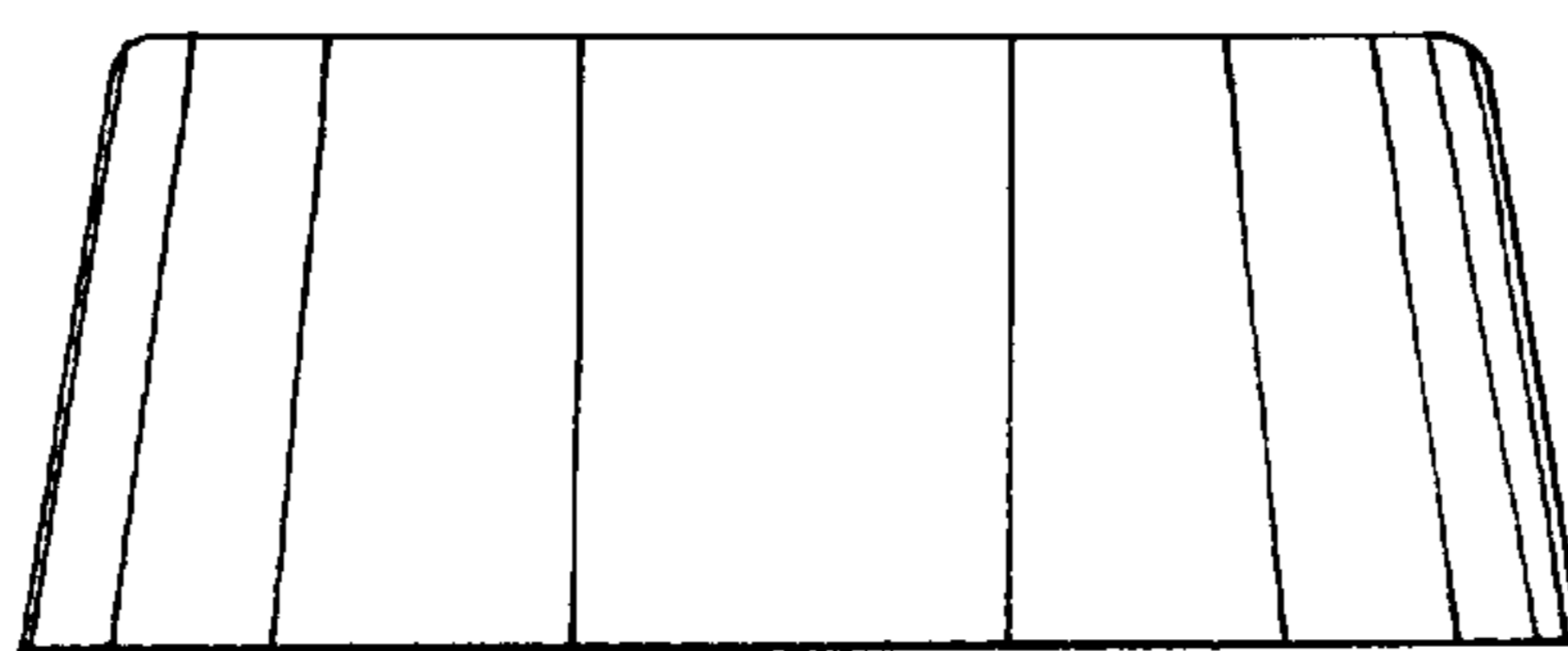


FIG. 14