



US00D413415S

# United States Patent [19]

Baiera et al.

[11] Patent Number: **Des. 413,415**

[45] Date of Patent: **\*\* Aug. 31, 1999**

[54] **PET TOY**

[75] Inventors: **Vincent A. Baiera**, Brooklyn, N.Y.;  
**Jonathan Willinger**, Tenafly, N.J.

[73] Assignee: **J.W. Pet Company**, East Rutherford,  
N.J.

[\*\*] Term: **14 Years**

[21] Appl. No.: **29/076,515**

[22] Filed: **Sep. 12, 1997**

[51] **LOC (6) Cl.** ..... **30-99**

[52] **U.S. Cl.** ..... **D30/160**

[58] **Field of Search** ..... D30/160; 119/701-711;  
D21/694, 206, 408; 446/227, 228, 236,  
168, 302, 170; 273/369; 473/429, 427

[56] **References Cited**

**U.S. PATENT DOCUMENTS**

D. 344,613	2/1994	Cromwell	.....	D30/160
D. 366,679	1/1996	Clements	.....	D21/16
2,808,807	10/1957	Winton et al.	.....	119/702
3,665,892	5/1972	Kusisto	.....	119/701
3,716,029	2/1973	Pillsbury, Jr.	.....	119/701
4,438,727	3/1984	Thompson	.....	119/708
4,577,590	3/1986	Skroch	.....	119/706
4,766,848	8/1988	Rocco et al.	.....	119/701
5,339,770	8/1994	Haffner	.....	119/708
5,474,032	12/1995	Drietzman et al.	.....	119/708
5,505,161	4/1996	Swendseid	.....	119/708

5,575,241	11/1996	Line	.....	119/708
5,595,141	1/1997	Udelle et al.	.....	119/706
5,657,721	8/1997	Mayfield et al.	.....	119/707
5,672,088	9/1997	Chininis	.....	446/228
5,675,225	10/1997	Moore et al.	.....	119/708

**OTHER PUBLICATIONS**

J&Y Pet Products catalog; p. 7, Item #602 Bundy Cord Mouse, Aug. 1995.

*Primary Examiner*—Cathy Anne MacCormac  
*Attorney, Agent, or Firm*—Helfgott & Karas, P.C.

[57] **CLAIM**

The ornamental design for a pet toy, as shown and described.

**DESCRIPTION**

FIG. 1 is a top perspective view of a pet toy showing our new design, the broken lines are for illustrative purposes only and forms no part of the claimed design.

FIG. 2 is a top plan view thereof;

FIG. 3 is a left side elevation view thereof, the right side being a mirror image.

FIG. 4 is a rear elevational view thereof;

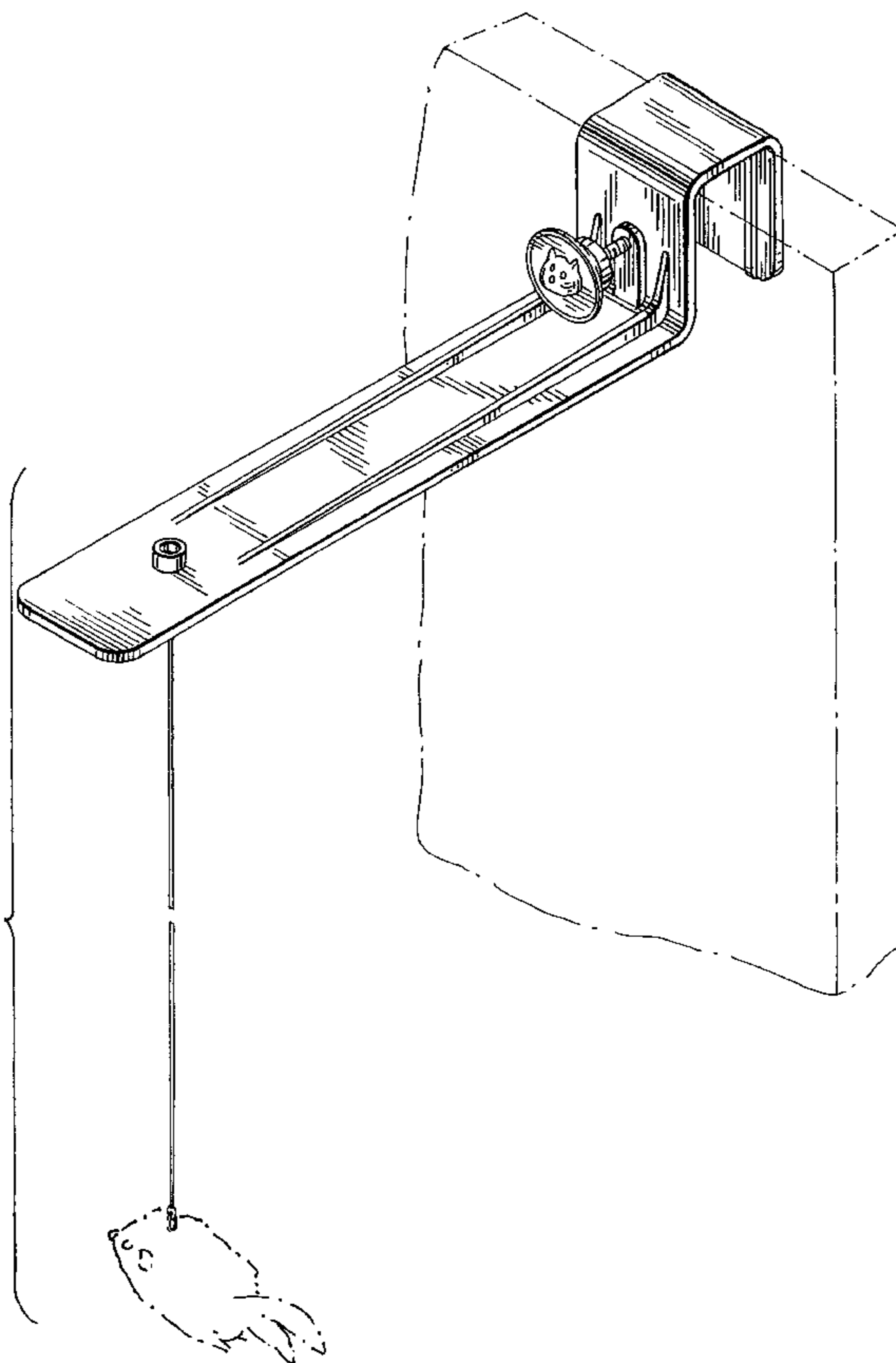
FIG. 5 is a front elevation view thereof; and,

FIG. 6 is a bottom plan view thereof.

FIGS. 1, 3, 4, and 5 are shown broken away to show indeterminate length.

The broken lines are for illustrative purposes only and form no part of the claimed design.

**1 Claim, 2 Drawing Sheets**



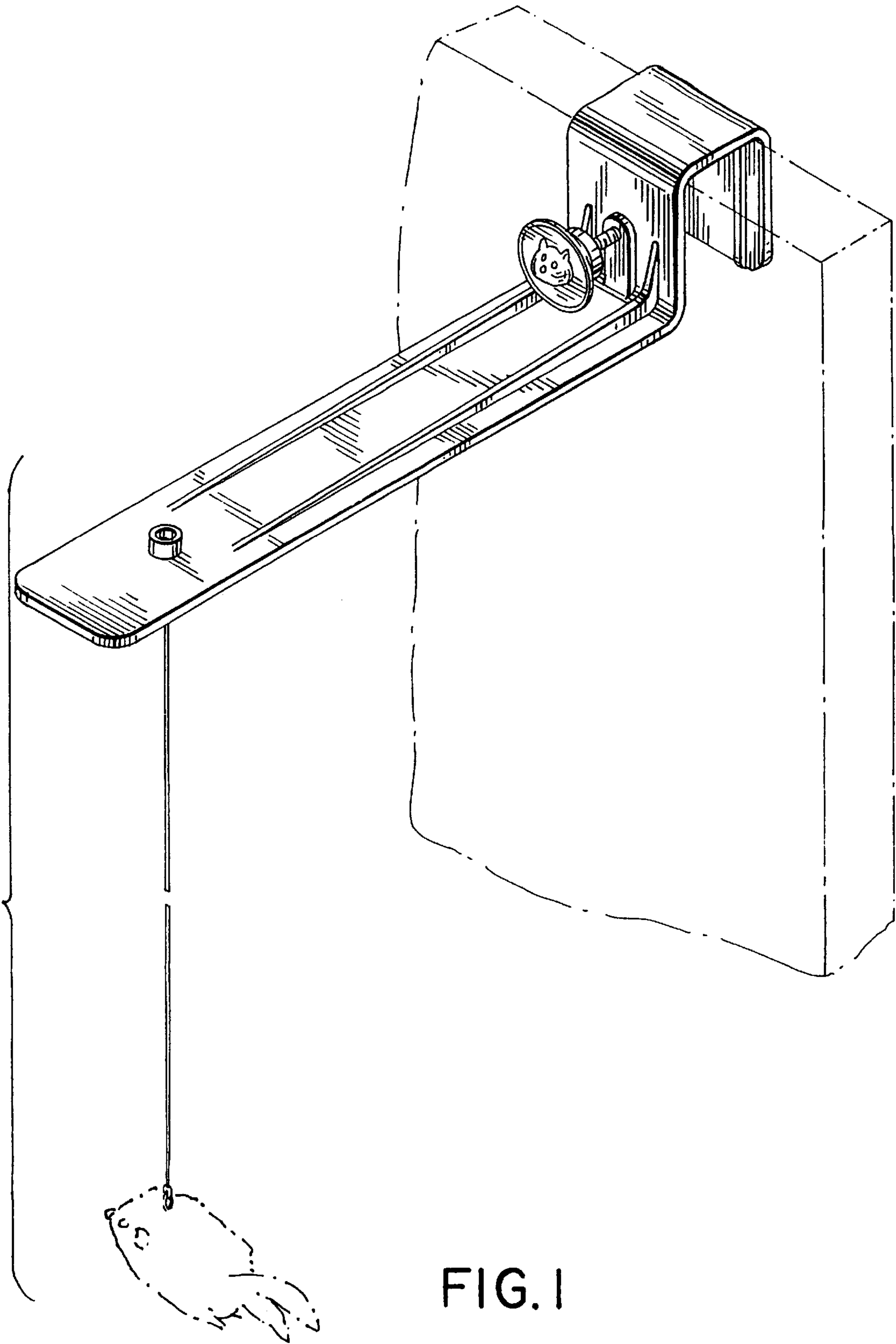


FIG. 1

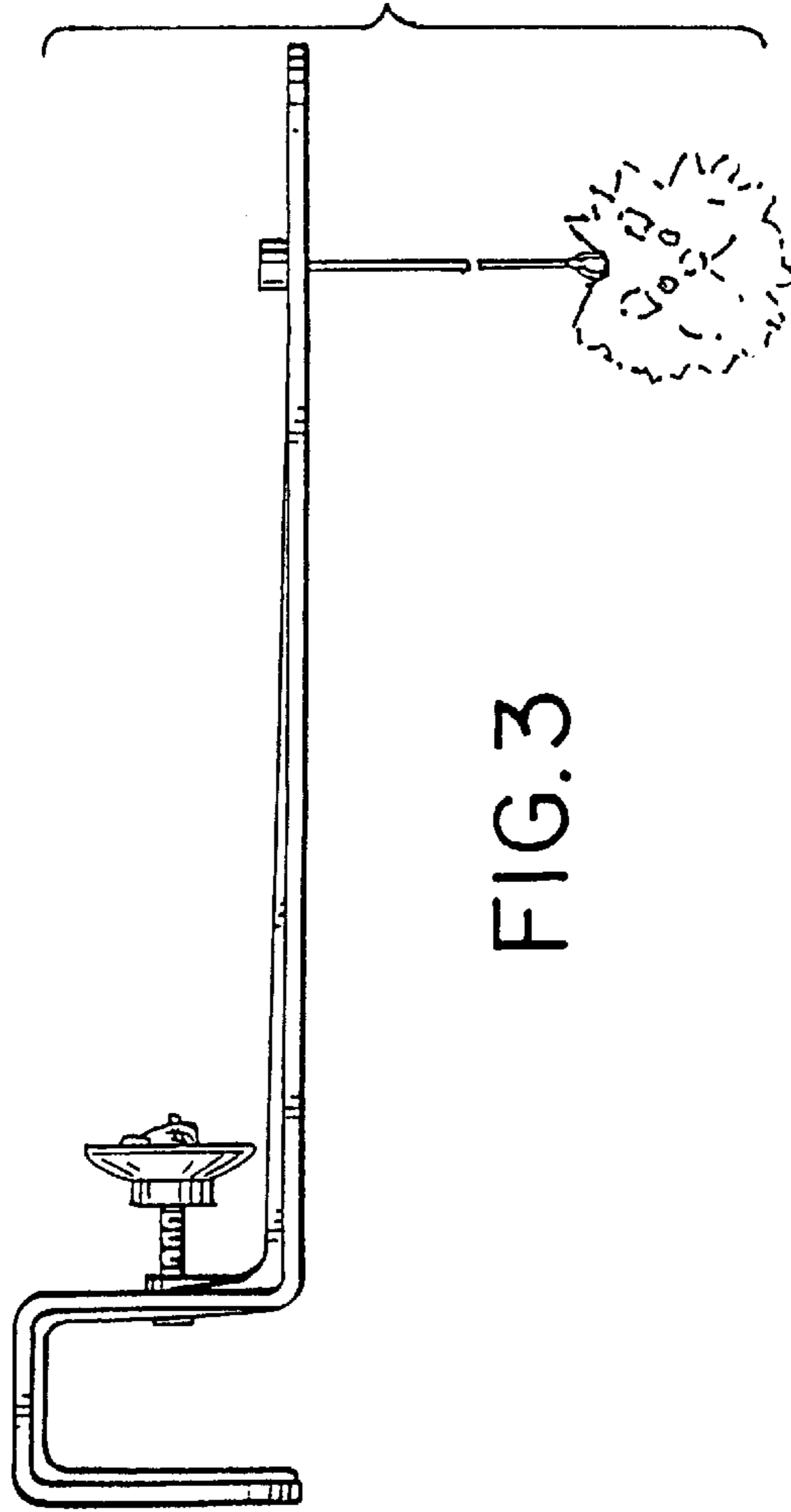
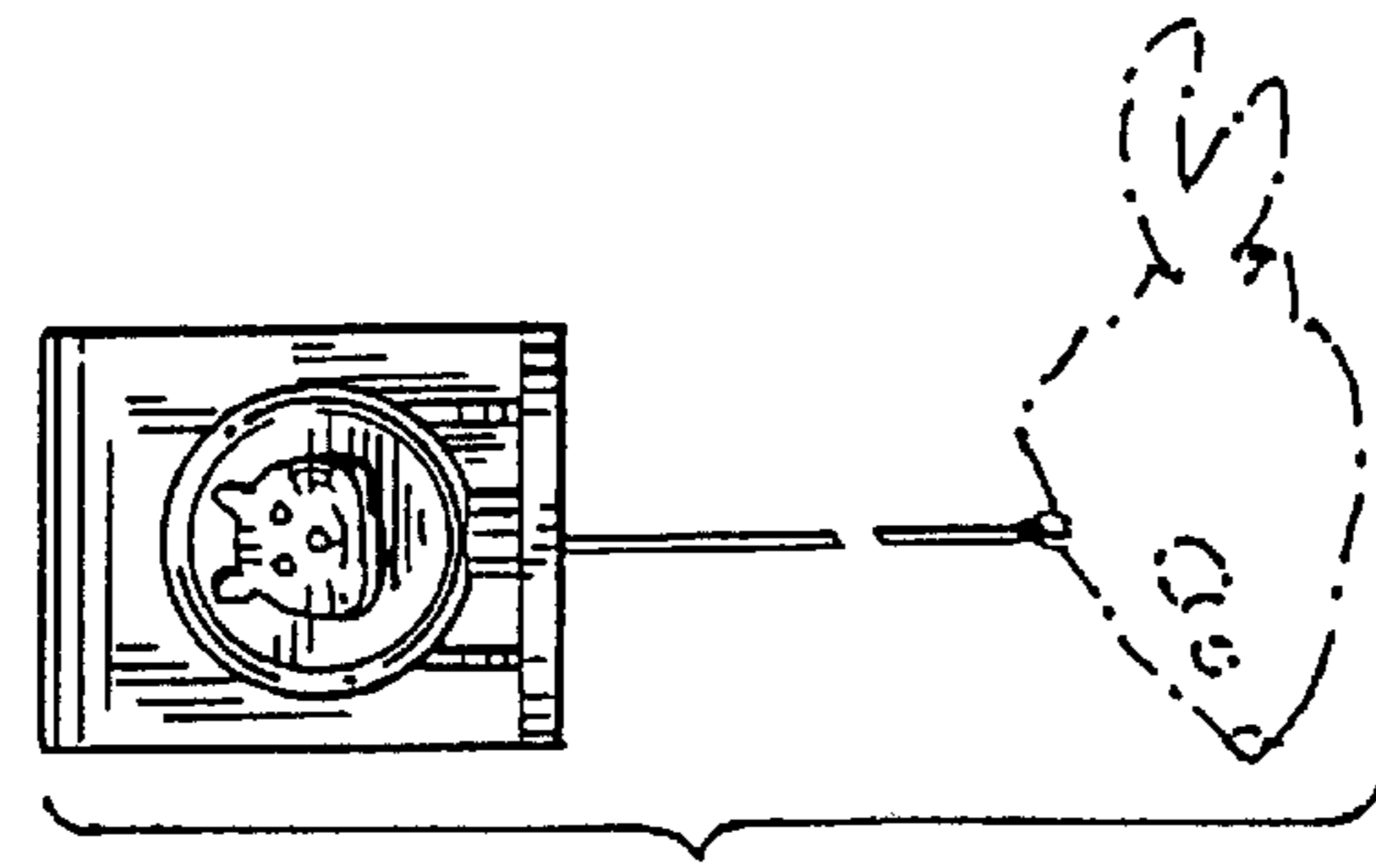
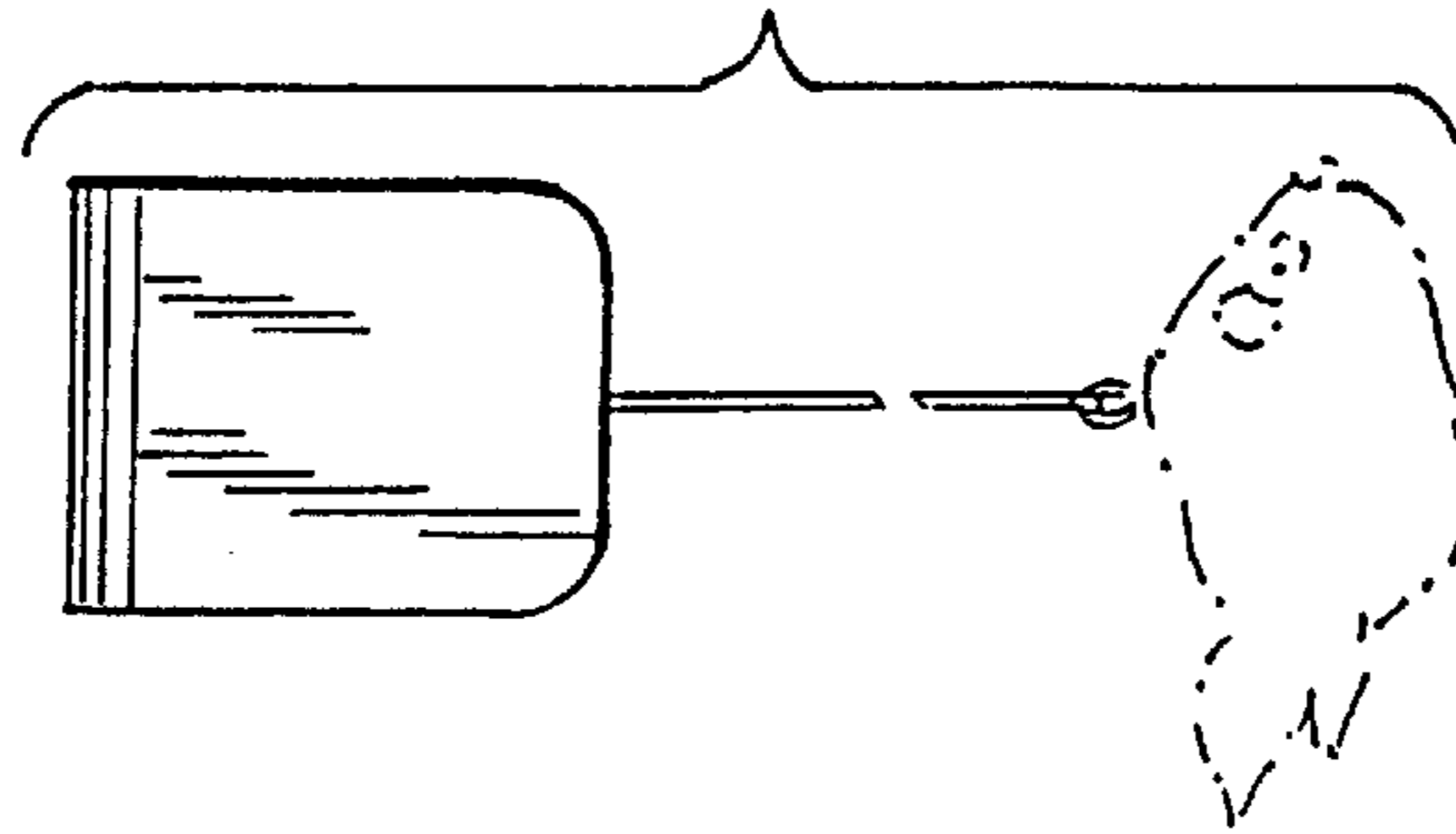
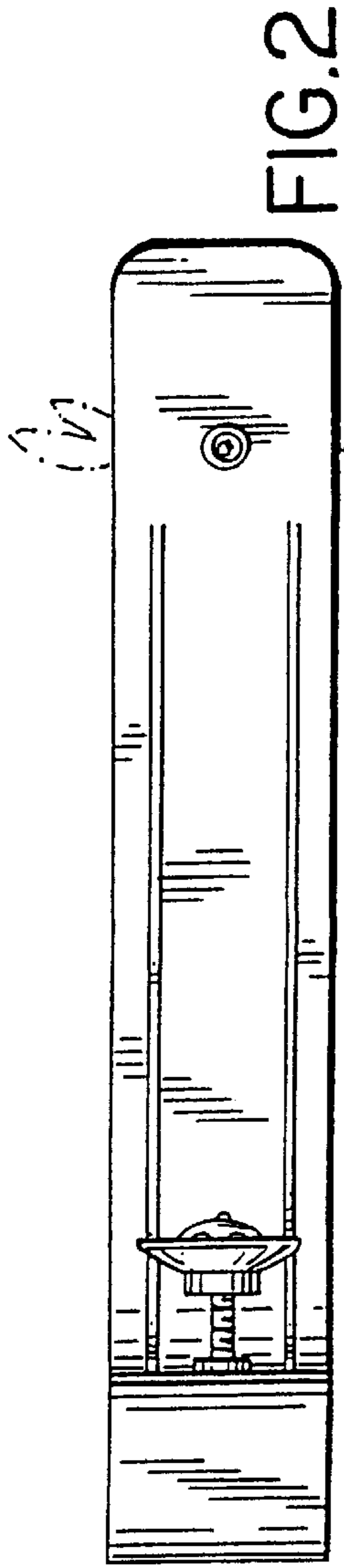


FIG. 4

FIG. 5

FIG. 6

