



US00D413410S

United States Patent [19]

Winn et al.

[11] **Patent Number: Des. 413,410**

[45] **Date of Patent: ** Aug. 31, 1999**

[54] **CURLING IRON**

4,926,027 5/1990 Montagnino 219/222
5,270,520 12/1993 Barzilai et al. 219/225 X

[76] Inventors: **Bobby J. Winn; David Allen Jones,**
both of 611 Mitchell St., Madisonville,
Tex. 77864

FOREIGN PATENT DOCUMENTS

104437 6/1938 Australia 132/266

[**] Term: **14 Years**

OTHER PUBLICATIONS

[21] Appl. No.: **29/022,372**

Hong Kong Enterprise Nov. 1986, p. 112—curling iron on left.

[22] Filed: **May 24, 1994**

Primary Examiner—Ted Shooman
Assistant Examiner—C Tuttle

Related U.S. Application Data

[63] Continuation of application No. 29/007,045, Apr. 15, 1993, abandoned.

[57] CLAIM

[51] **LOC (6) Cl.** **28-03**

The ornamental design for a curling iron, as shown and described.

[52] **U.S. Cl.** **D28/35**

DESCRIPTION

[58] **Field of Search** D28/35; 132/224,
132/227–236, 263, 265, 267; 219/222, 225

FIG. 1 is a right side elevational view of a curling iron showing my new design;
FIG. 2 is a left side elevational view thereof;
FIG. 3 is a front end elevational view shown on an enlarged scale;
FIG. 4 is a rear end elevational view thereof;
FIG. 5 is a top plan view of FIGS. 1 and 2; and,
FIG. 6 is a bottom plan view thereof.

[56] References Cited

U.S. PATENT DOCUMENTS

D. 321,952	11/1991	Montagnino et al.	D28/35
846,354	3/1907	Shields	132/232
1,483,402	2/1924	Wolcott	132/263
1,639,015	8/1927	Velten	132/232
1,877,923	9/1932	Lucia	200/432
2,584,999	2/1952	Flournoy	132/263

1 Claim, 3 Drawing Sheets

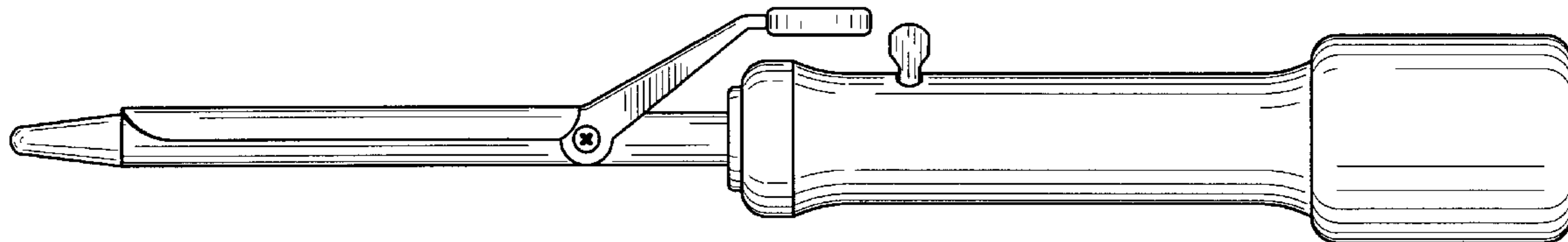


Fig. 1

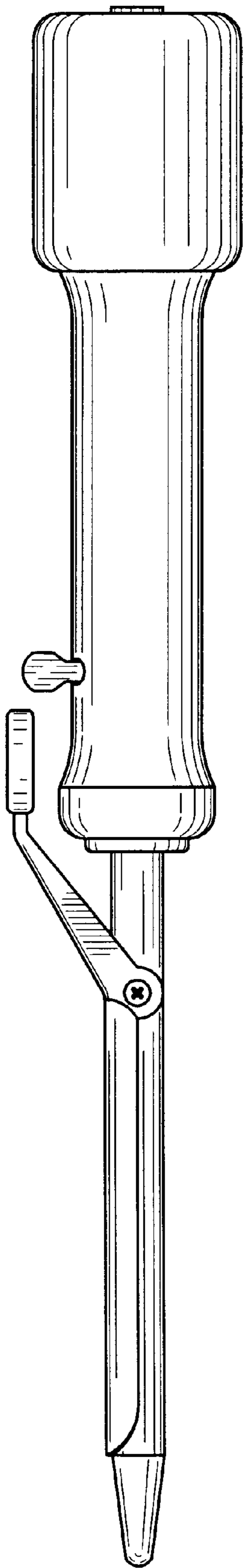


Fig. 2

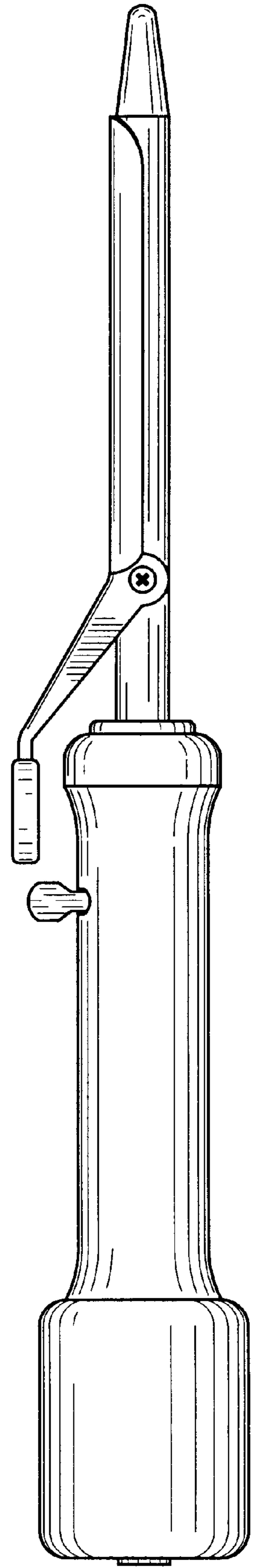


Fig. 3

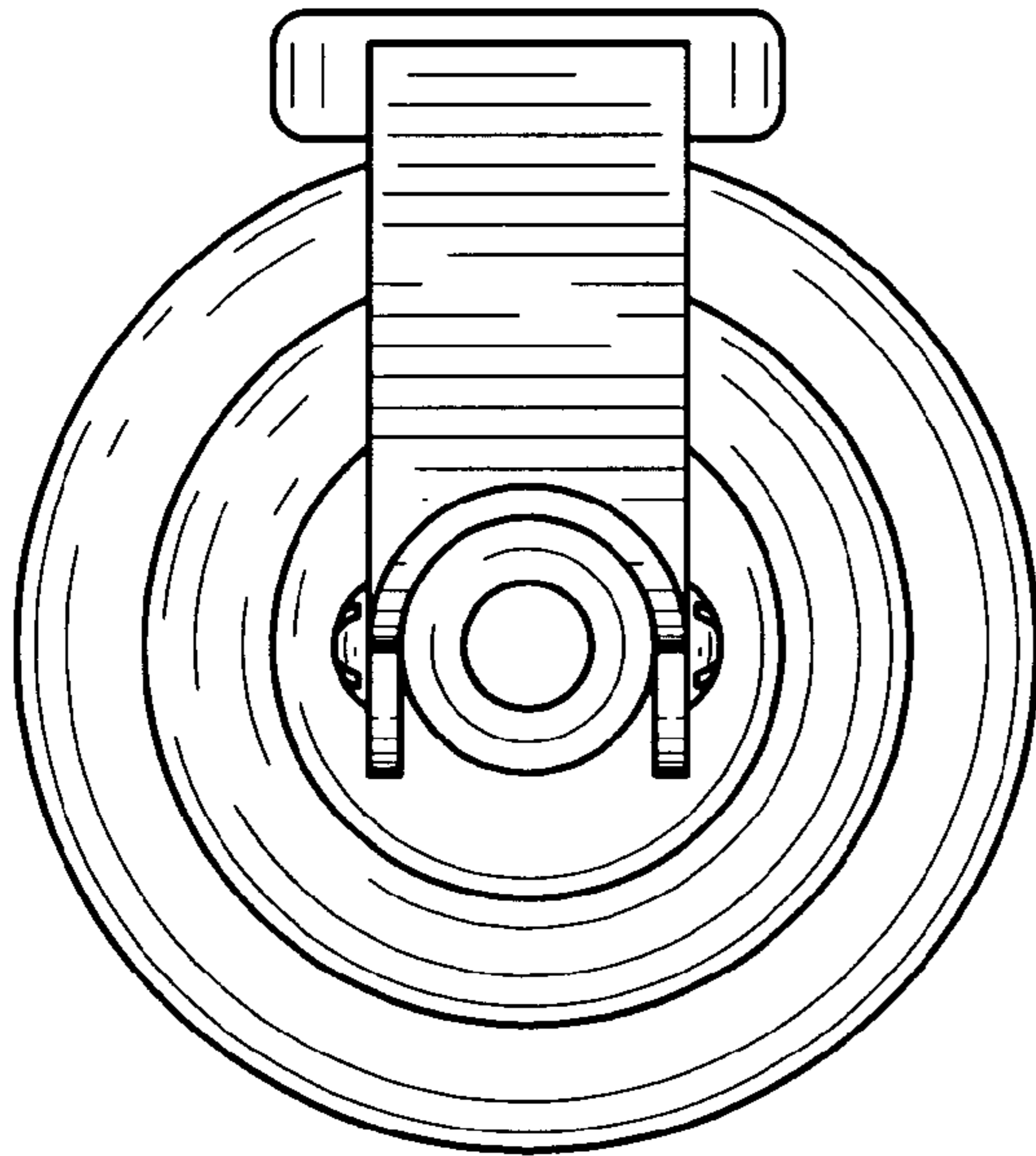


Fig. 4

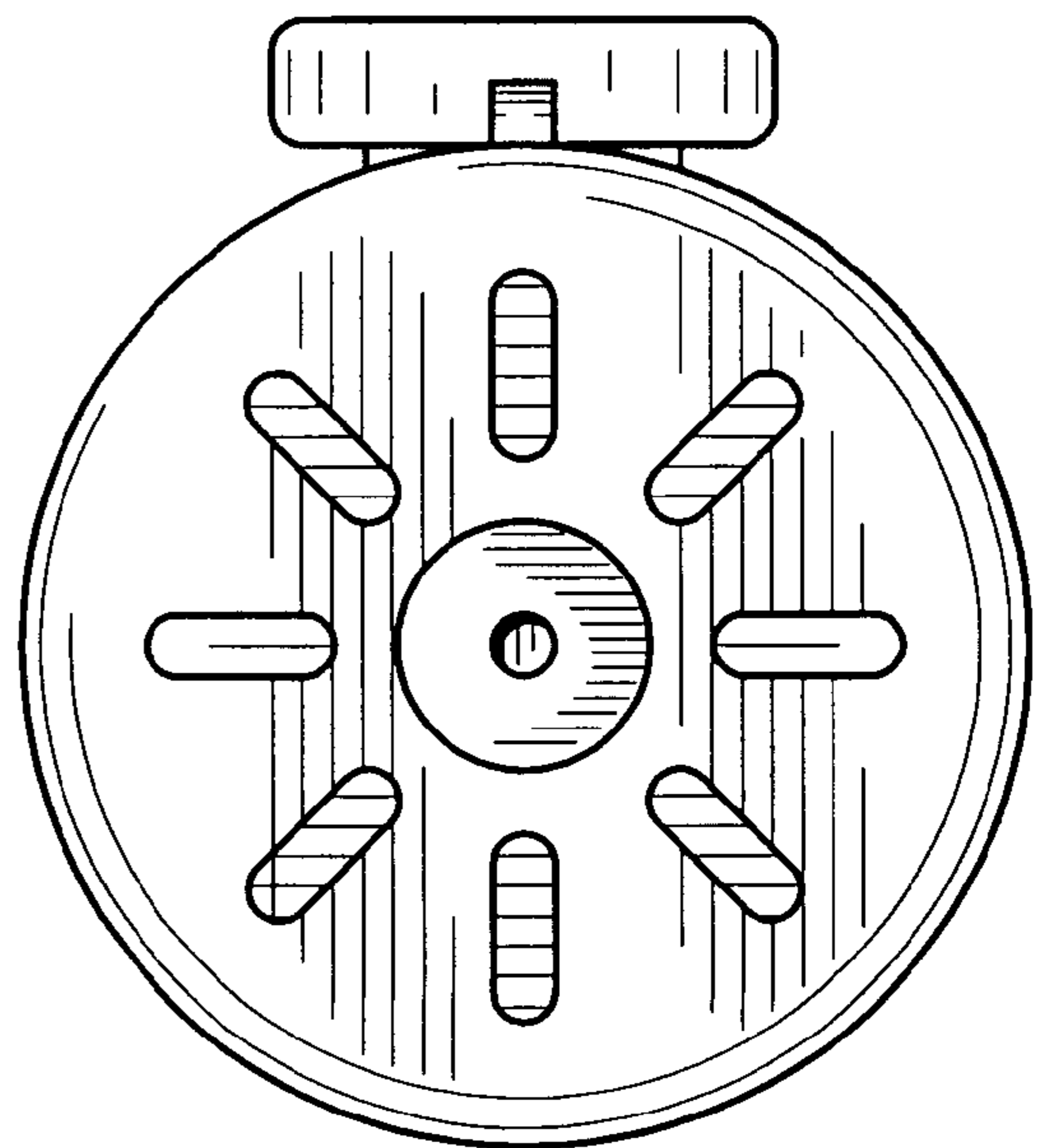


Fig. 5

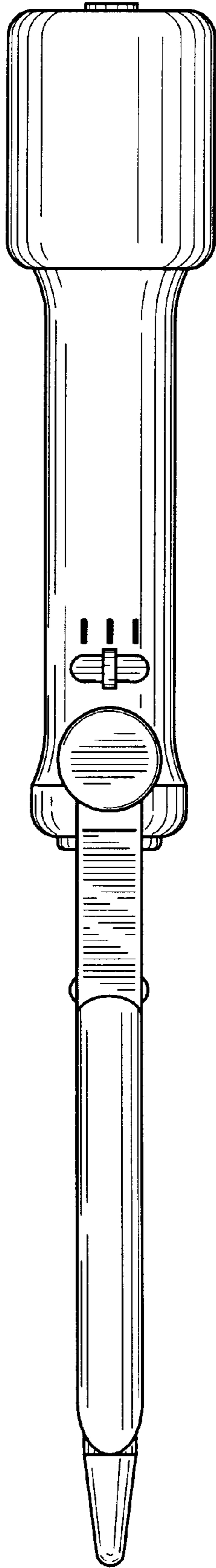


Fig. 6

