



US00D413409S

United States Patent [19]
Williams

[11] **Patent Number: Des. 413,409**

[45] **Date of Patent: ** Aug. 31, 1999**

[54] **HAIR DRYER HEAD SUPPORT**

3,372,491 3/1968 Morrison 34/99
4,972,607 11/1990 Lagace 34/90

[76] Inventor: **Judith M Williams**, 116 Hicks St., East Providence, R.I. 02914

Primary Examiner—Ted Shooman

[**] Term: **14 Years**

[57] **CLAIM**

[21] Appl. No.: **29/084,580**

The ornamental design for a hair dryer head support, as shown.

[22] Filed: **Mar. 5, 1998**

DESCRIPTION

[51] **LOC (6) Cl.** **28-03**

FIG. 1 is a front elevational view of the hair dryer head support of the present invention;

[52] **U.S. Cl.** **D28/19; D28/17; D28/18**

FIG. 2 is a back elevational view of the hair dryer head support of FIG. 1;

[58] **Field of Search** D28/17, 18, 19; 132/212, 271, 272; 34/99, 90

FIG. 3 is a left side elevational view of the hair dryer head support of FIG. 1;

[56] **References Cited**

U.S. PATENT DOCUMENTS

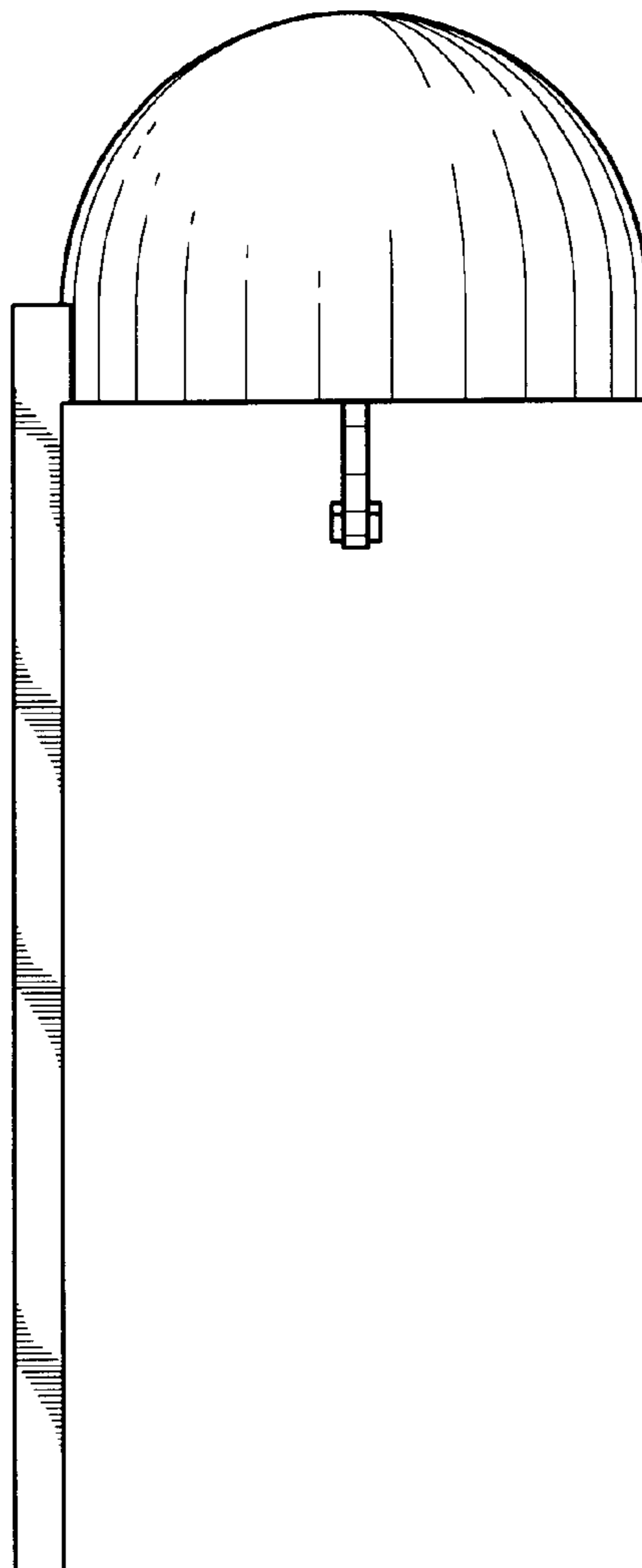
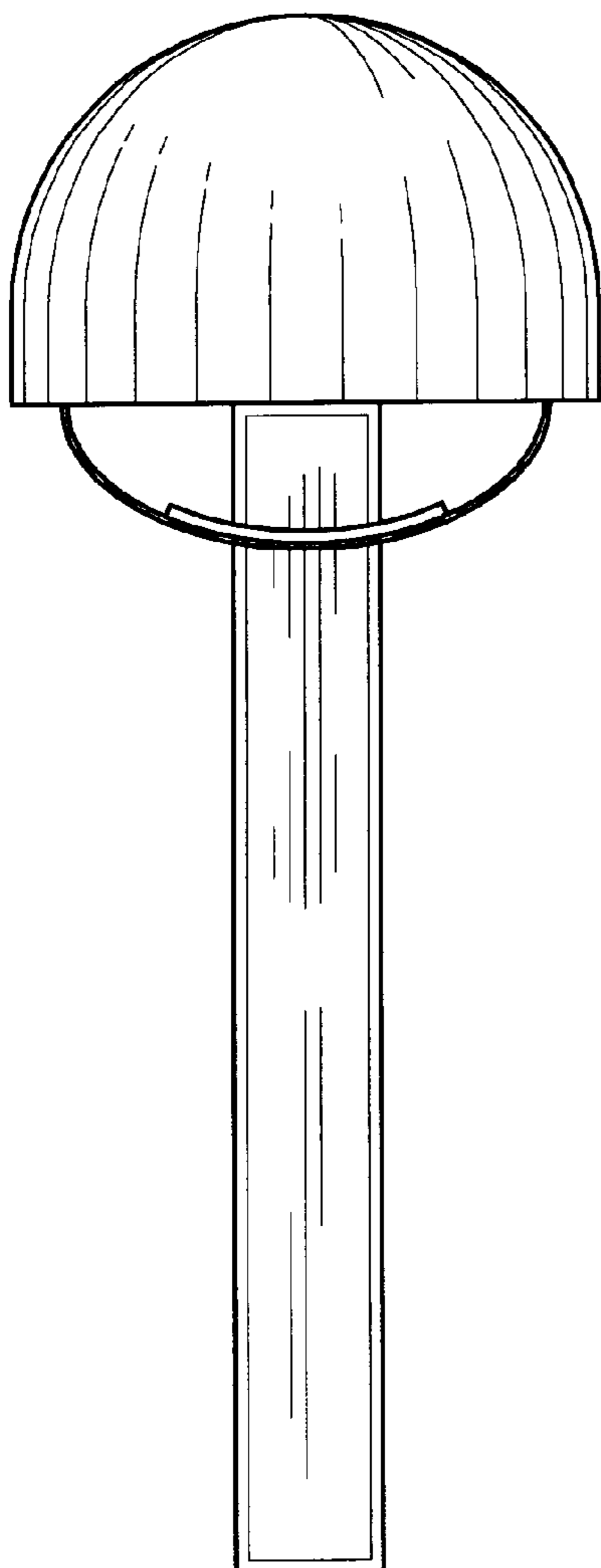
D. 206,568	1/1967	Campbell	D29/103
D. 208,384	8/1967	Rakocy	D28/17
2,346,558	4/1944	Coventry	34/90
2,392,485	1/1946	Langseth et al.	34/90
2,446,790	8/1948	Scola	34/90
3,006,078	10/1961	Parker, Jr. et al.	34/90
3,248,146	4/1966	Cowen, Jr.	34/99 X

FIG. 4 is a right side elevational view of the hair dryer head support of FIG. 1;

FIG. 5 is a top plan view of the hair dryer head support of FIG. 1; and,

FIG. 6 is a bottom plan view of the hair dryer head support of FIG. 1.

1 Claim, 3 Drawing Sheets



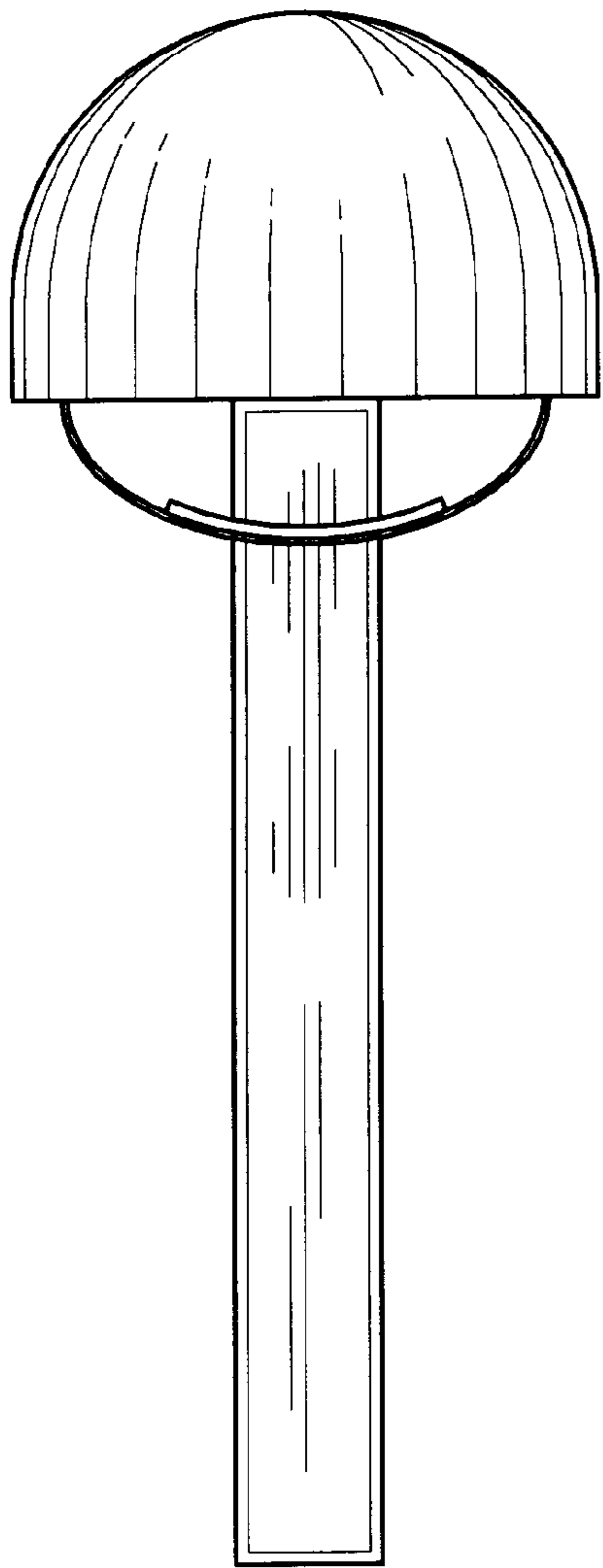


Fig. 1

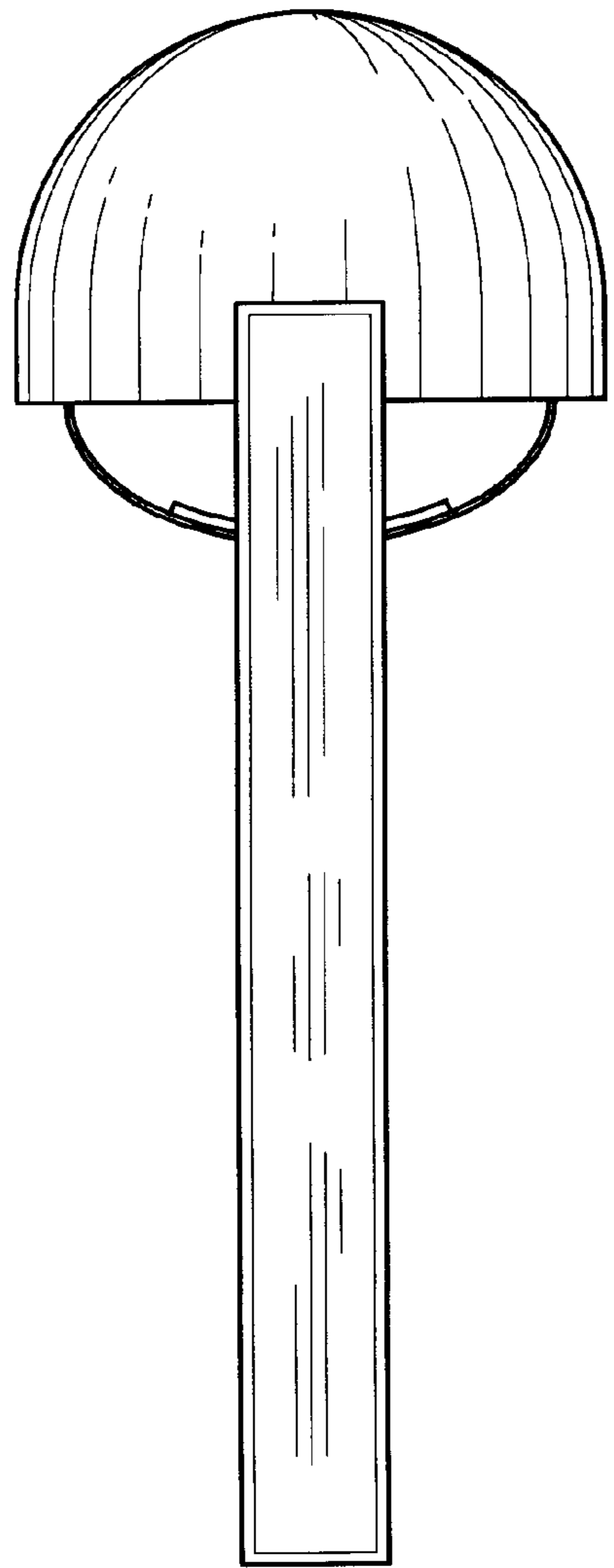


Fig. 2

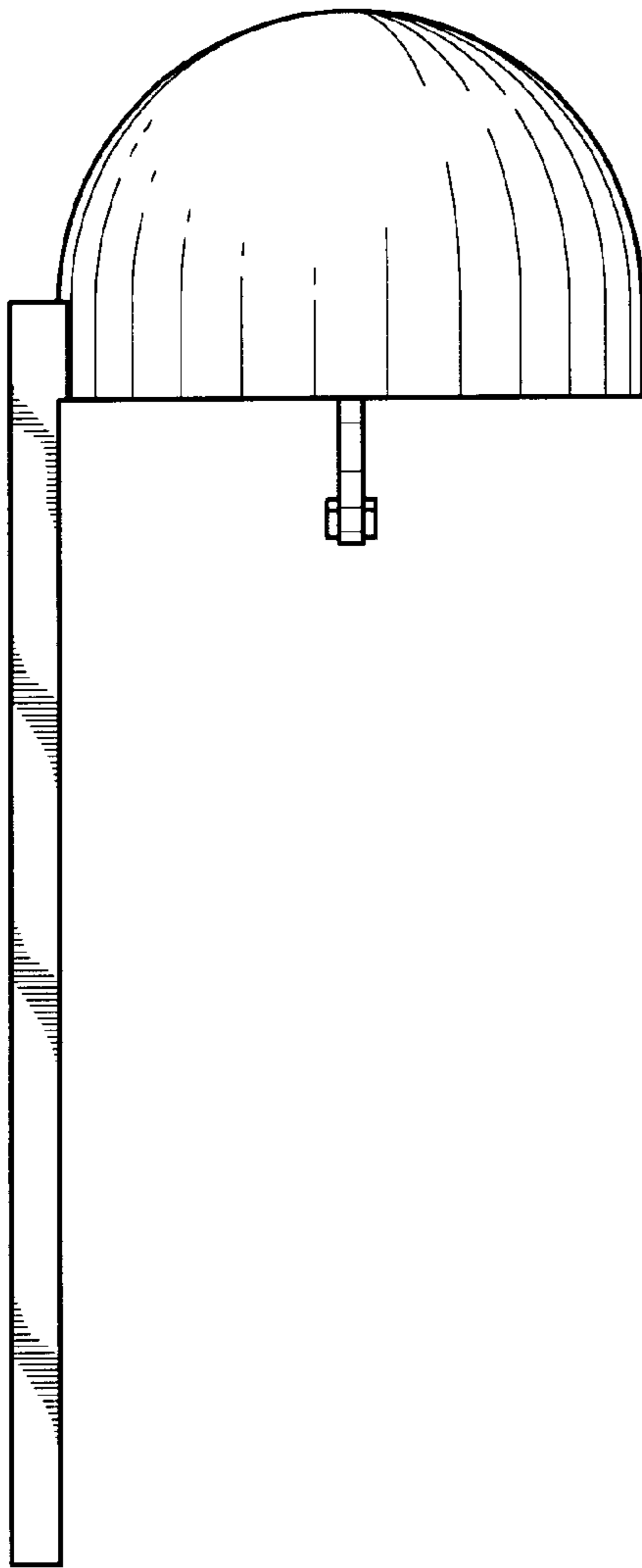
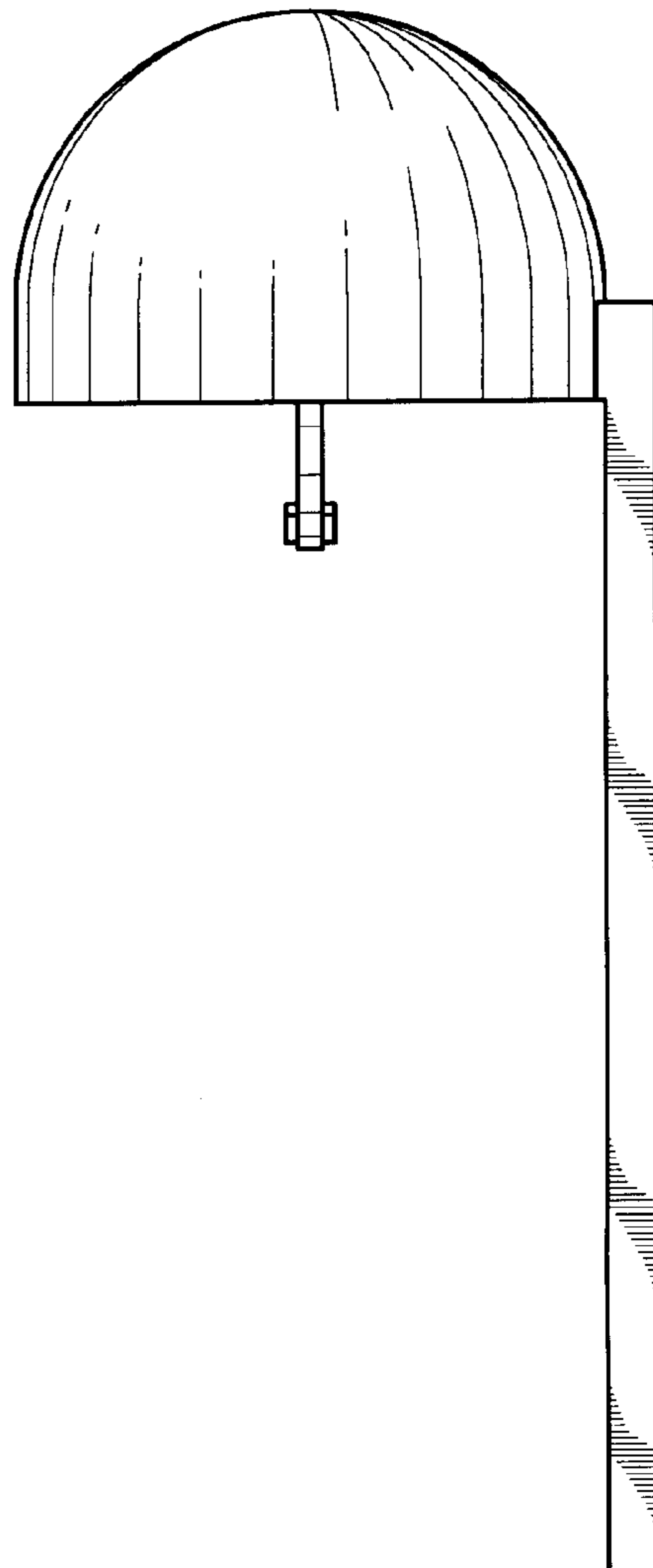


Fig. 3

Fig. 4



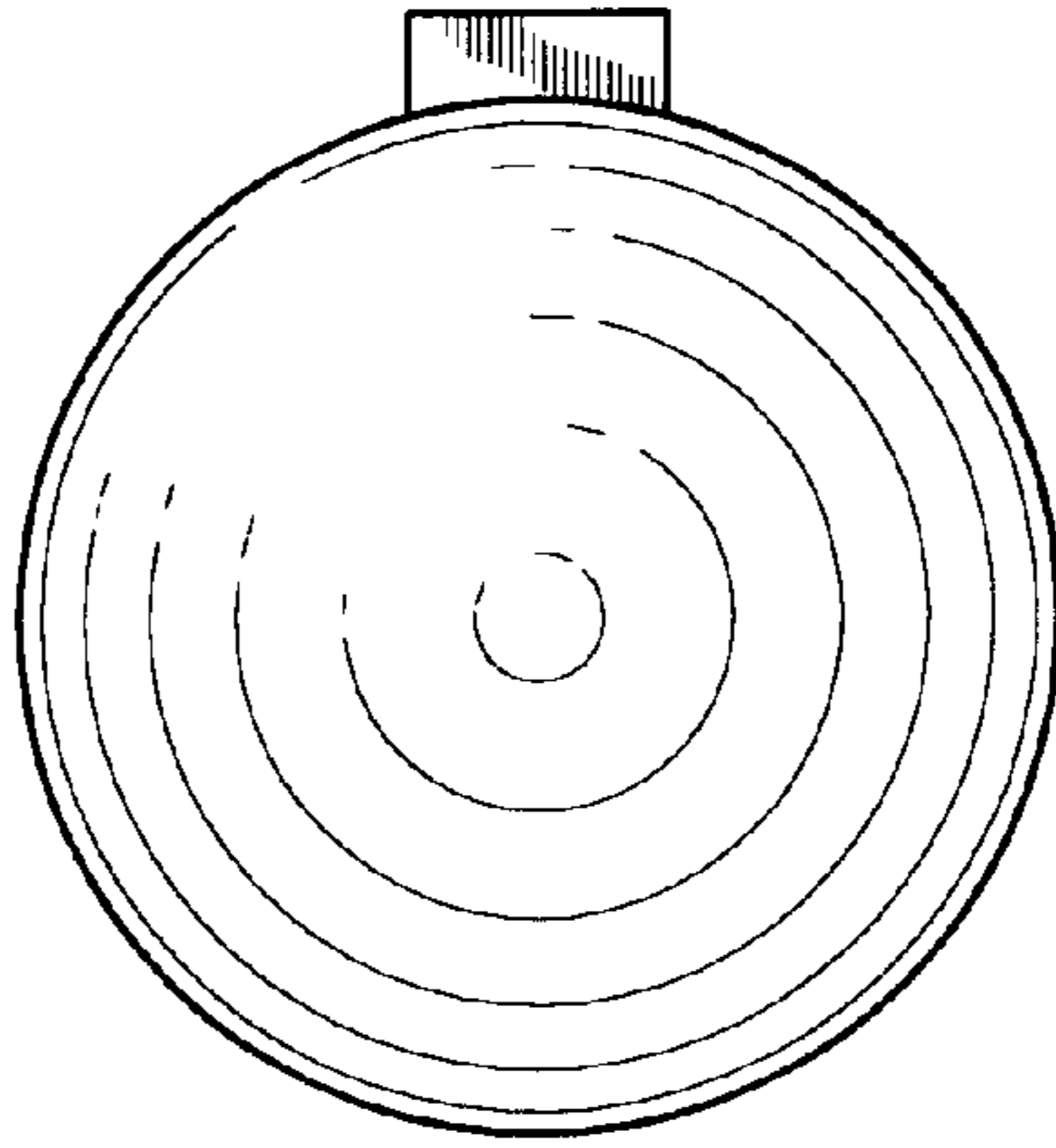


Fig. 5

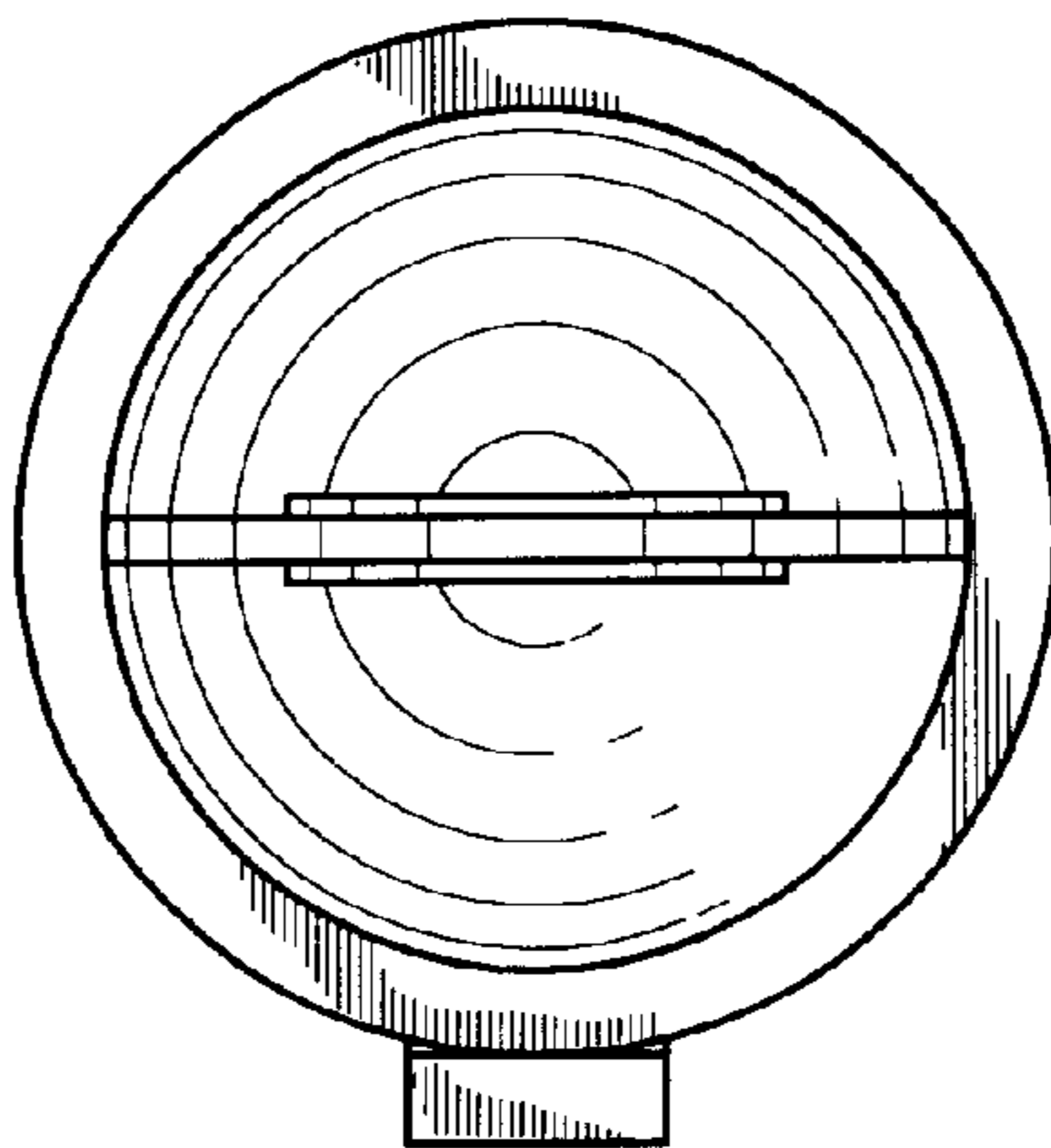


Fig. 6