



US00D413408S

# United States Patent [19]

White et al.

[11] Patent Number: Des. 413,408

[45] Date of Patent: \*\* Aug. 31, 1999

[54] CIGAR CUTTER

[75] Inventors: Jeffrey R. White, 50 Strawberry La., Canton, Mass. 02021; Marc P. Freedgood, Milton, Mass.

[73] Assignee: Jeffrey R. White, Canton, Mass.

[\*\*] Term: 14 Years

[21] Appl. No.: 29/091,895

[22] Filed: Aug. 7, 1998

[51] LOC (6) Cl. .... 27-99

[52] U.S. Cl. .... D27/195

[58] Field of Search ..... D27/195; 30/109-113; 131/248, 249, 250, 252, 253, 254, 255

[56] **References Cited**

**U.S. PATENT DOCUMENTS**

D. 396,125 7/1998 Chen ..... D27/195  
5,715,602 2/1998 Hage ..... 30/113

**OTHER PUBLICATIONS**

Antique Cigar Cutter, p. 90, Antique Cigar Cutters and Lighters, Aug. 1996.

Primary Examiner—Susan J. Lucas  
Assistant Examiner—Jennifer Rivard

Attorney, Agent, or Firm—Wechsler & Wechsler, P.C.;  
Lawrence I. Wechsler

[57] **CLAIM**

The ornamental design for a cigar cutter, as shown and described.

**DESCRIPTION**

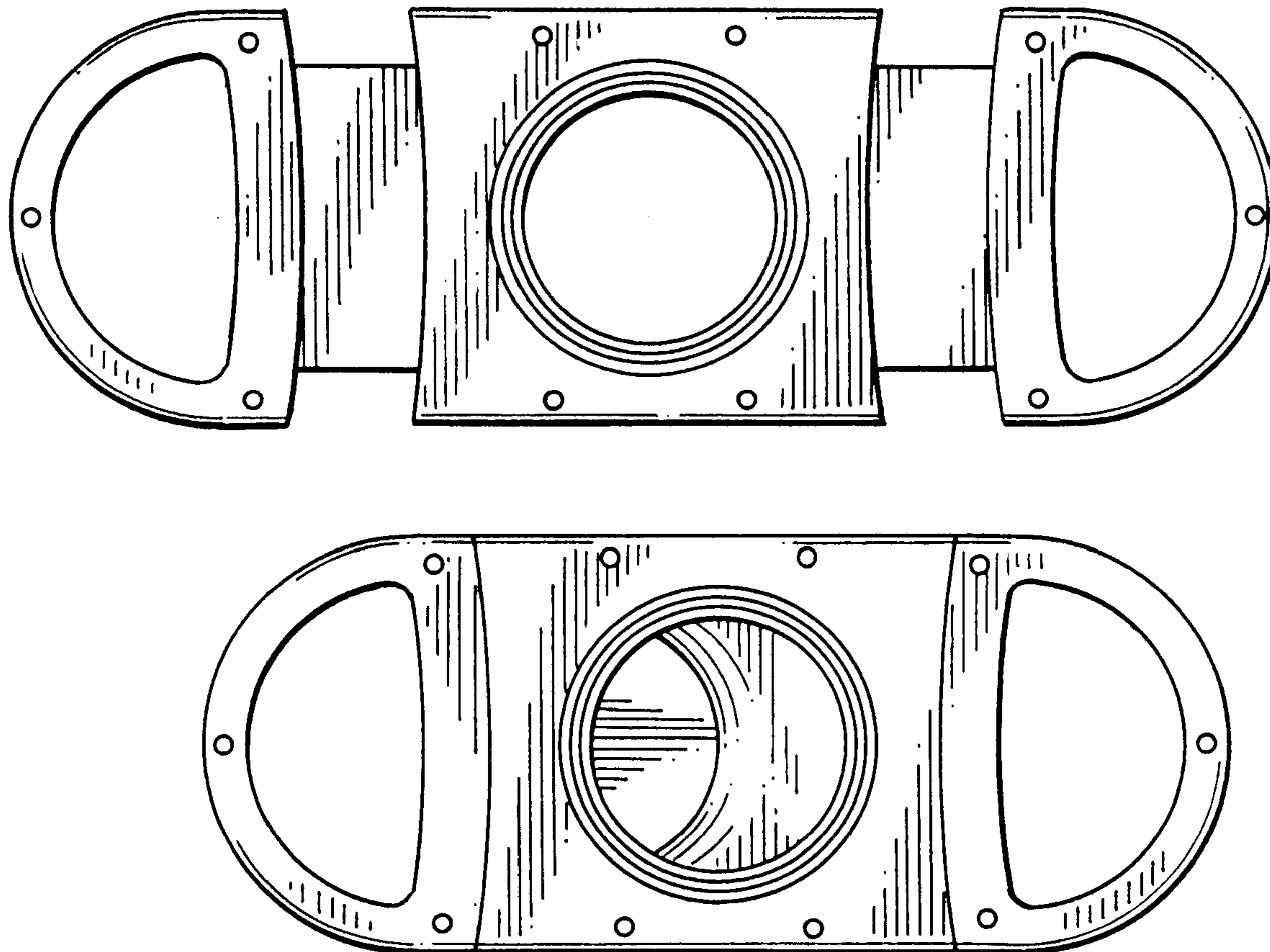
FIG. 1 is a top plan view of our new design shown in an open position, with the bottom plan view being a mirror image;

FIG. 2 is a side elevational view thereof, the opposite side view being a mirror image;

FIG. 3 is a top plan view of our new design shown in a closed position, with the bottom plan view being a mirror image; and,

FIG. 4 is an end elevational view thereof, the opposite side view being a mirror image.

1 Claim, 1 Drawing Sheet



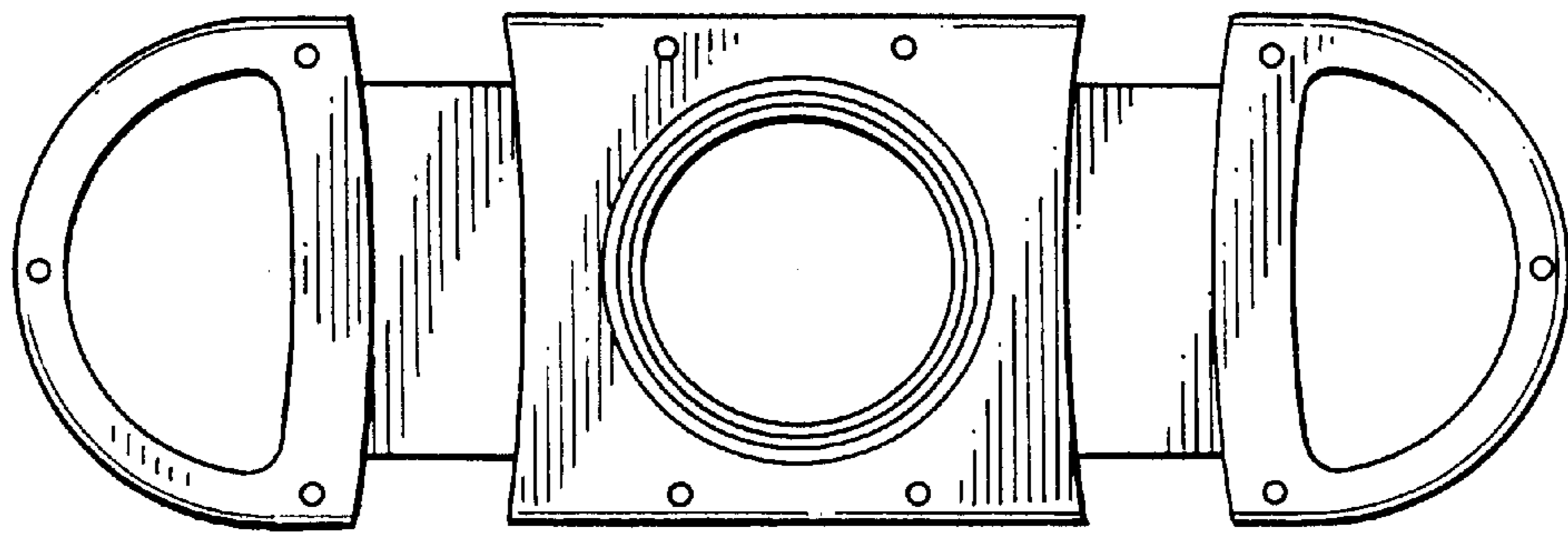


FIG. 1

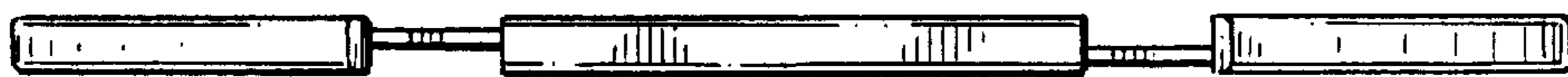


FIG. 2

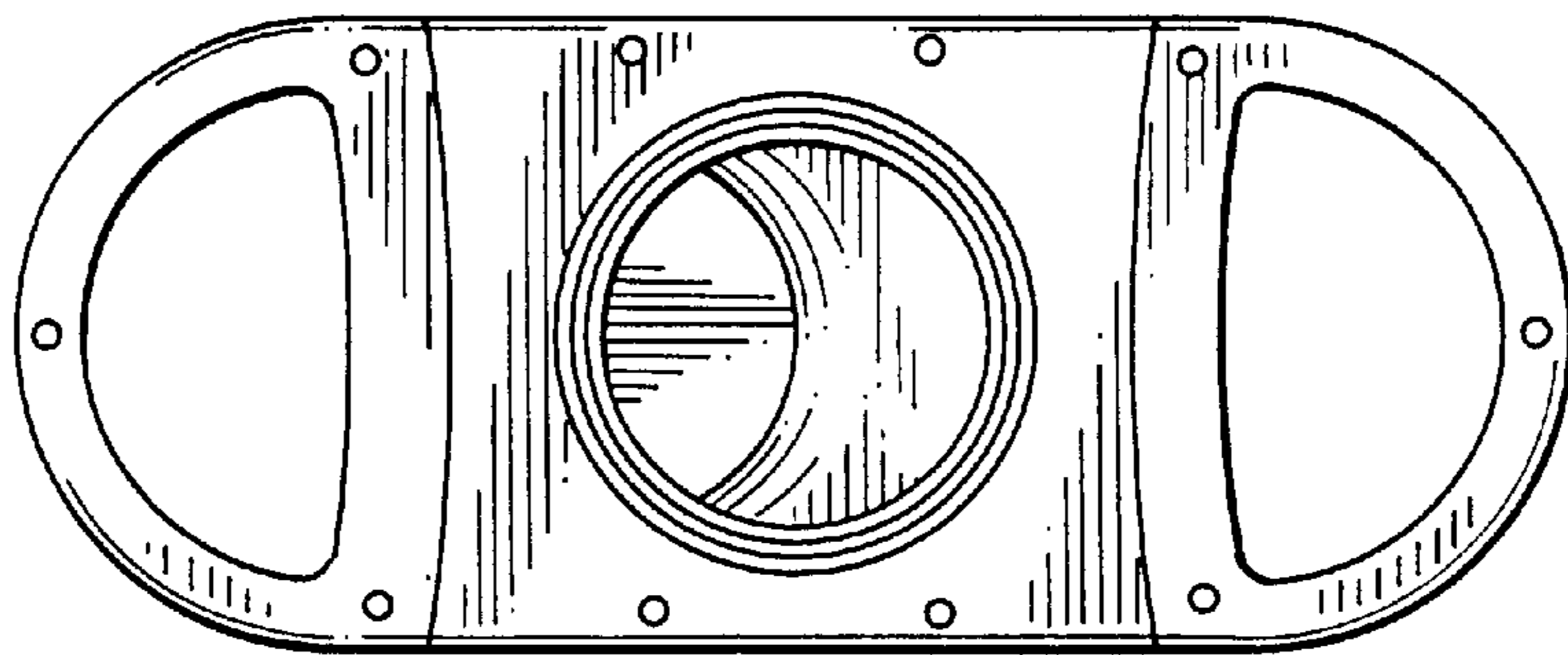


FIG. 3

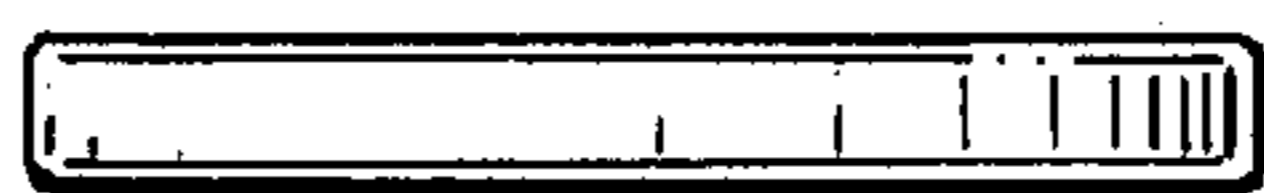


FIG. 4