



US00D413401S

United States Patent [19]

McDonald et al.

[11] Patent Number: Des. 413,401

[45] Date of Patent: ** Aug. 31, 1999

[54] FLASHLIGHT

D. 403,446 12/1998 Lynch et al. D26/49

[75] Inventors: **Milly S. McDonald; Maria L. Bionde**, both of Dallas, Tex.; **Ellis Hon Siu Cheong**, Sunshine City, The Hong Kong Special Administrative Region of the People's Republic of China

OTHER PUBLICATIONS

The Brinkmann Corporation 1997 Product Catalog, pp. 28-59.

Mag Instrument catalog, pp. 8 and 15, 1994.

Streamlight Catalog, pp. 3-7, 9-14, Jan. 1997.

Nordic brochure, 1997.

U.S. Appl. No. 29/089,977, McDonald et al., filed pending.

U.S. Appl. No. 29/089,979, McDonald et al., filed pending.

[73] Assignee: **The Brinkmann Corporation**, Dallas, Tex.

Primary Examiner—Marcus A. Jackson

Attorney, Agent, or Firm—Gary A. Clark, Esq.; Keith A. Newbury, Esq.; Sheppard, Mullin, Richter & Hampton LLP

[**] Term: **14 Years**

[21] Appl. No.: **29/089,978**

[57] CLAIM

[22] Filed: **Jun. 26, 1998**

We claim the ornamental design for a flashlight, as shown and described.

[51] **LOC (6) Cl.** **26-02**

[52] **U.S. Cl.** **D26/49**

[58] **Field of Search** D26/37-50; 362/157, 362/158, 171, 172, 178, 181, 183-209

DESCRIPTION

[56] References Cited

U.S. PATENT DOCUMENTS

- D. 263,170 2/1982 Maglica .
- D. 297,828 9/1988 Bromley et al. .
- D. 298,748 11/1988 Sharrah et al. .
- D. 303,107 8/1989 Maglica et al. .
- D. 308,109 5/1990 Maglica et al. .
- D. 311,780 10/1990 Urquhart .
- D. 342,333 12/1993 Maglica .
- D. 345,958 4/1994 Keller et al. .
- D. 348,112 6/1994 Maglica .
- D. 351,245 10/1994 Maglica .
- D. 353,217 12/1994 Maglica .
- D. 360,044 7/1995 Tillery D26/49
- D. 363,361 10/1995 Maglica .
- D. 367,721 3/1996 Maglica .
- D. 368,786 4/1996 Van Cort D26/49
- D. 392,064 3/1998 Chen D26/49
- D. 394,321 5/1998 Chiu D26/49
- D. 395,722 6/1998 Howard et al. D26/49
- D. 396,314 7/1998 Chiu D26/49

FIG. 1 is a perspective view of a flashlight embodying our new design.

FIG. 2 is a left side elevational view thereof, which is a mirror image of the right side elevational view thereof and identical to the top and bottom plan views thereof.

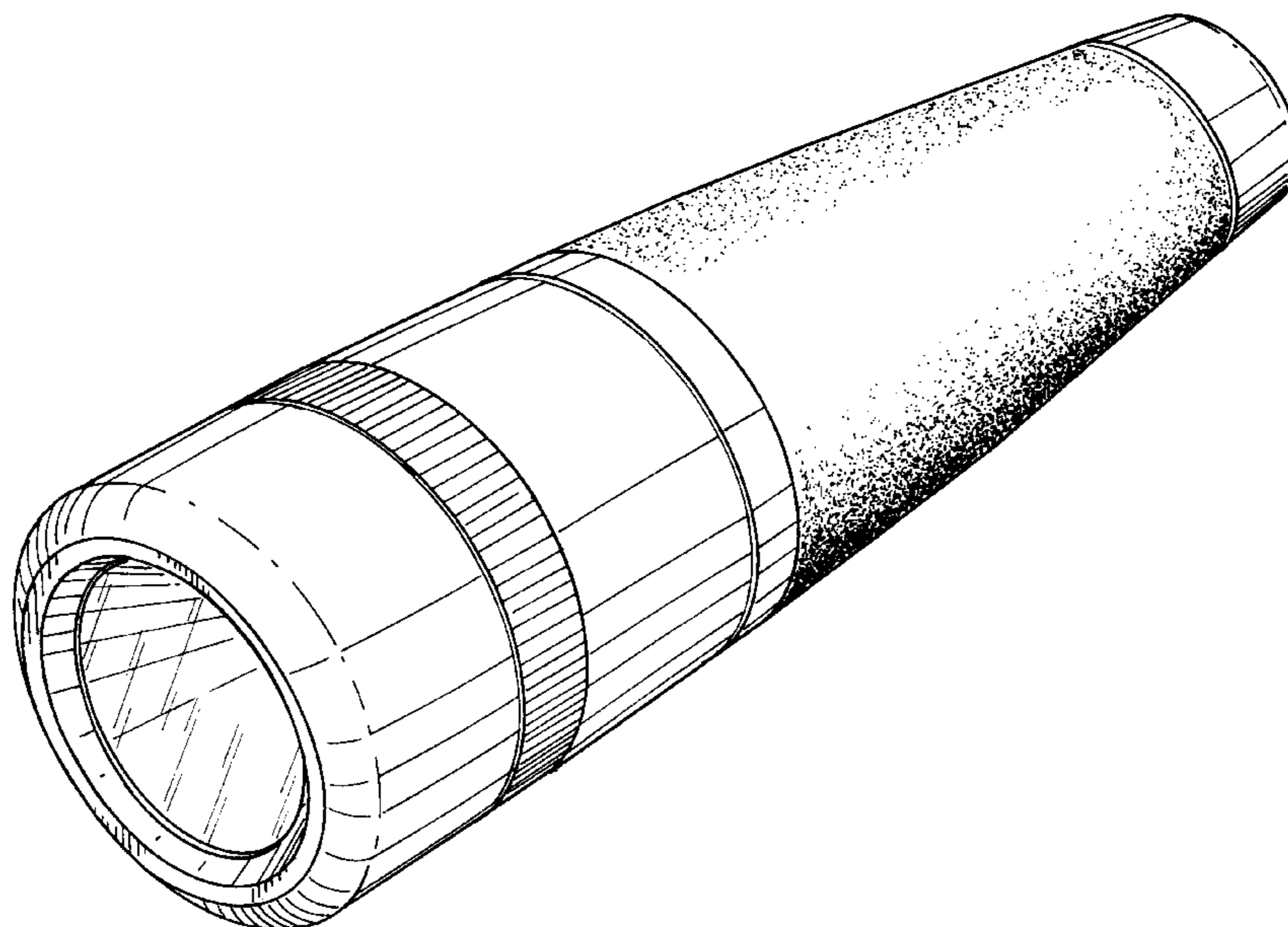
FIG. 3 is a front side elevational view thereof.

FIG. 4 is a rear side elevational view thereof.

FIG. 5 is a left side elevational view of a second embodiment of a flashlight embodying our new design, which is a mirror image of the right side elevational view thereof and identical to the top and bottom plan views thereof, the front and rear side elevational views being identical to the views of FIGS. 3 and 4, respectively ; and,

FIG. 6 is a left side elevational view of a third embodiment of a flashlight embodying our new design, which is a mirror image of the right side elevational view thereof and identical to the top and bottom plan views thereof, the front and rear side elevational views being identical to the views of FIGS. 3 and 4, respectively.

1 Claim, 3 Drawing Sheets



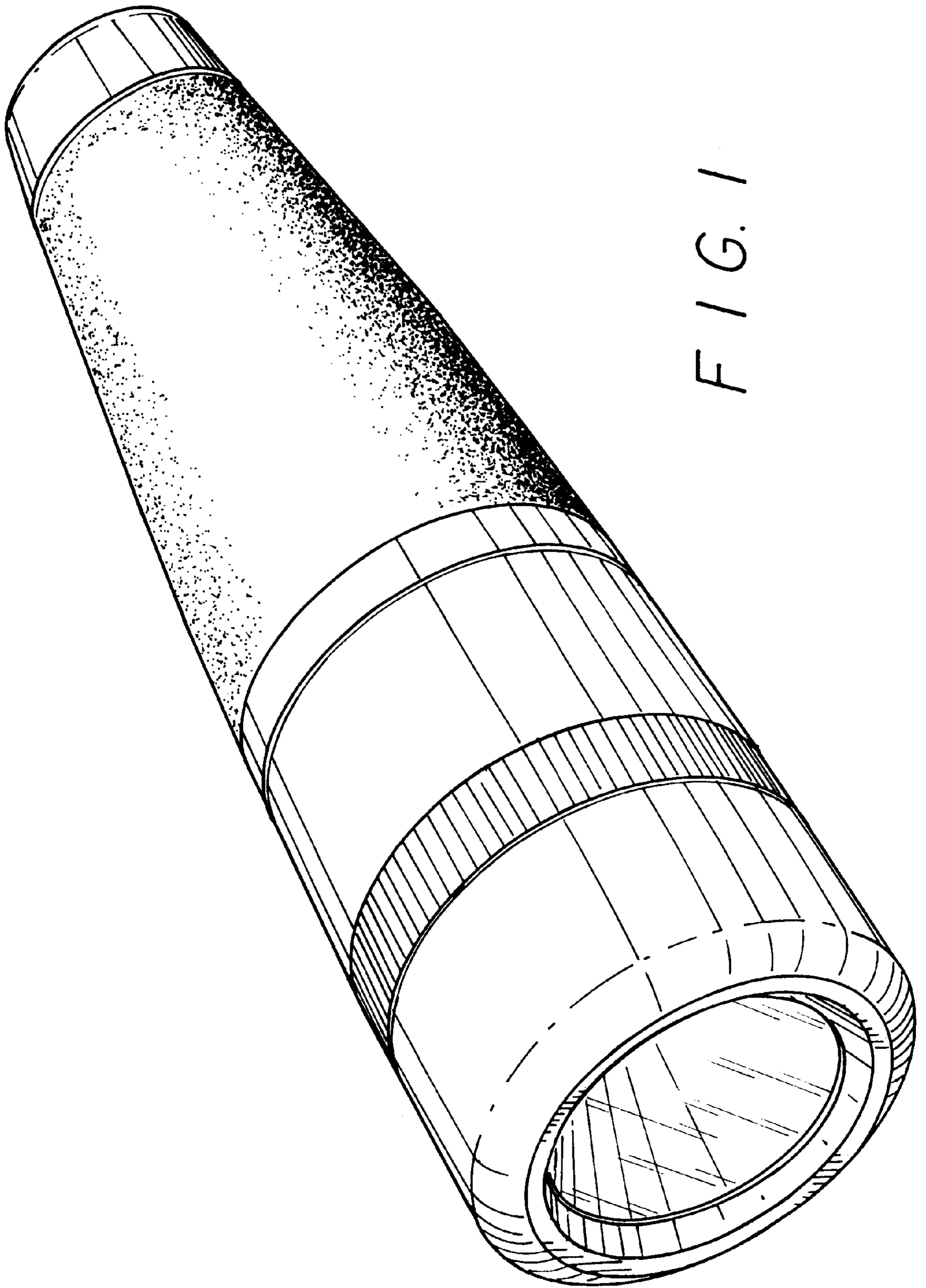


FIG. 1

FIG. 2

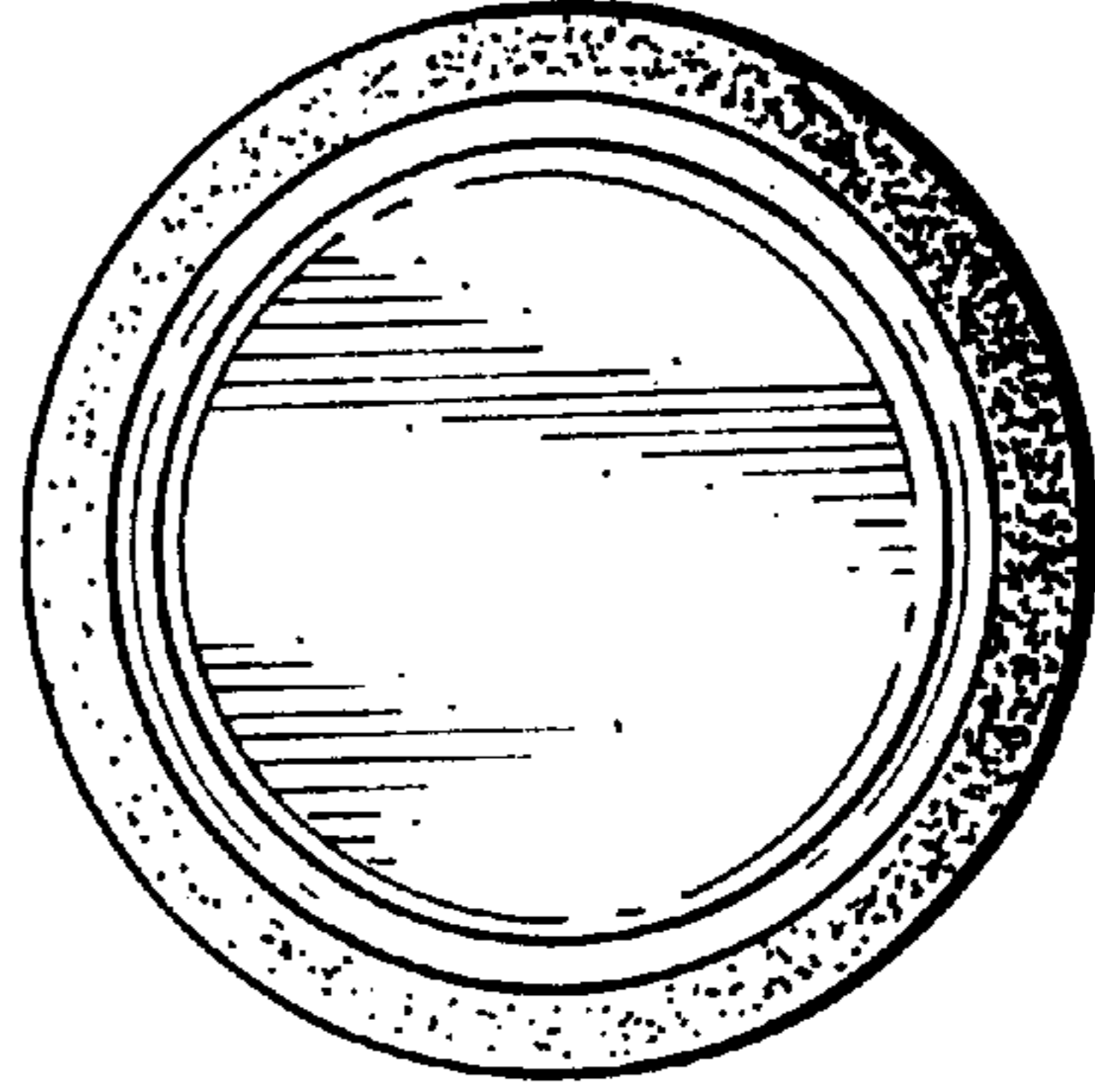
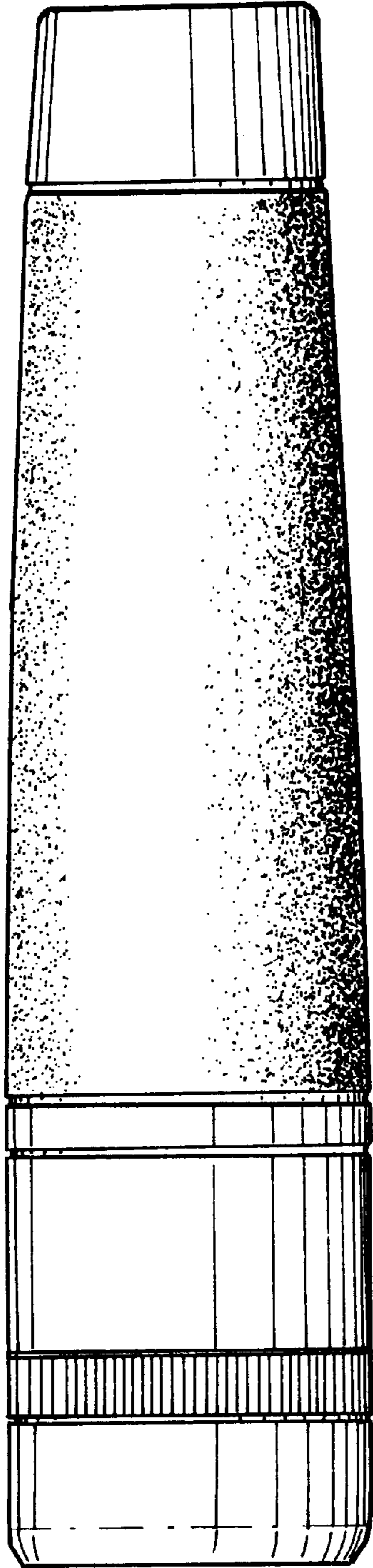


FIG. 3

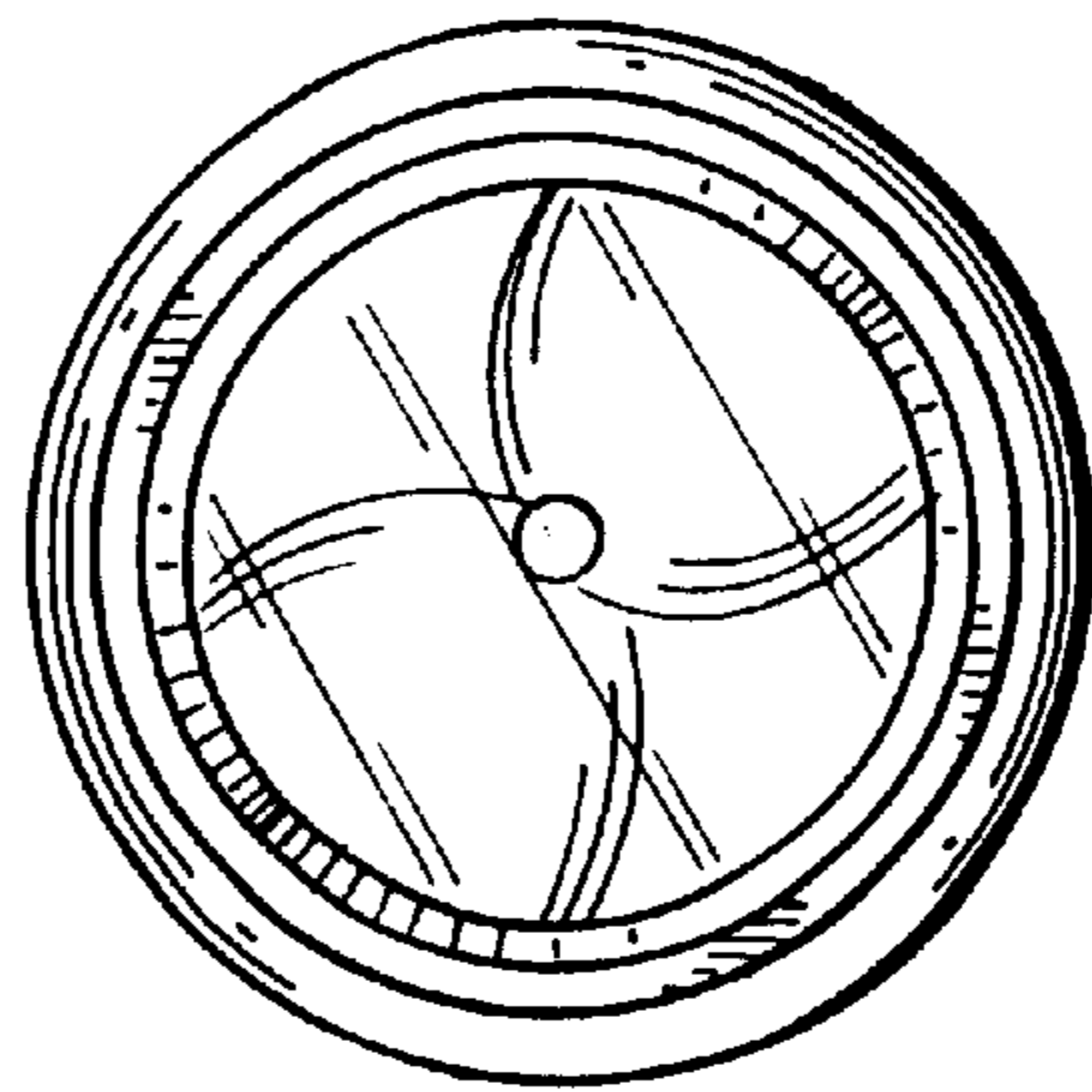


FIG. 4



FIG. 5



FIG. 6