



US00D413396S

United States Patent [19]

Thagard, III et al.

[11] Patent Number: Des. 413,396

[45] Date of Patent: ** Aug. 31, 1999

[54] ROOFING SHINGLE

[75] Inventors: George F. Thagard, III, Coto De Caza; Casey G. Tzeng, Irvine, both of Calif.

[73] Assignee: Fontana Paper Mills, Inc., Fontana, Calif.

[**] Term: 14 Years

[21] Appl. No.: 29/088,454

[22] Filed: May 22, 1998

[51] LOC (6) Cl. 25-01

[52] U.S. Cl. D25/140

[58] Field of Search D25/139, 140; 52/518, 519, 520

[56] References Cited

U.S. PATENT DOCUMENTS

| | | | |
|------------|---------|----------------------------|---------|
| D. 274,947 | 7/1984 | Culpepper, Jr. et al. | D25/139 |
| D. 370,539 | 6/1996 | Treat | D25/140 |
| 4,015,374 | 4/1977 | Epstein et al. . | |
| 4,434,589 | 3/1984 | Freiborg . | |
| 4,907,499 | 3/1990 | James . | |
| 5,174,076 | 12/1992 | Schiedegger et al. . | |
| 5,295,340 | 3/1994 | Collins . | |
| 5,611,186 | 3/1997 | Weaver . | |

Primary Examiner—Doris Clark
Attorney, Agent, or Firm—Knobbe, Martens, Olson & Bear, LLP

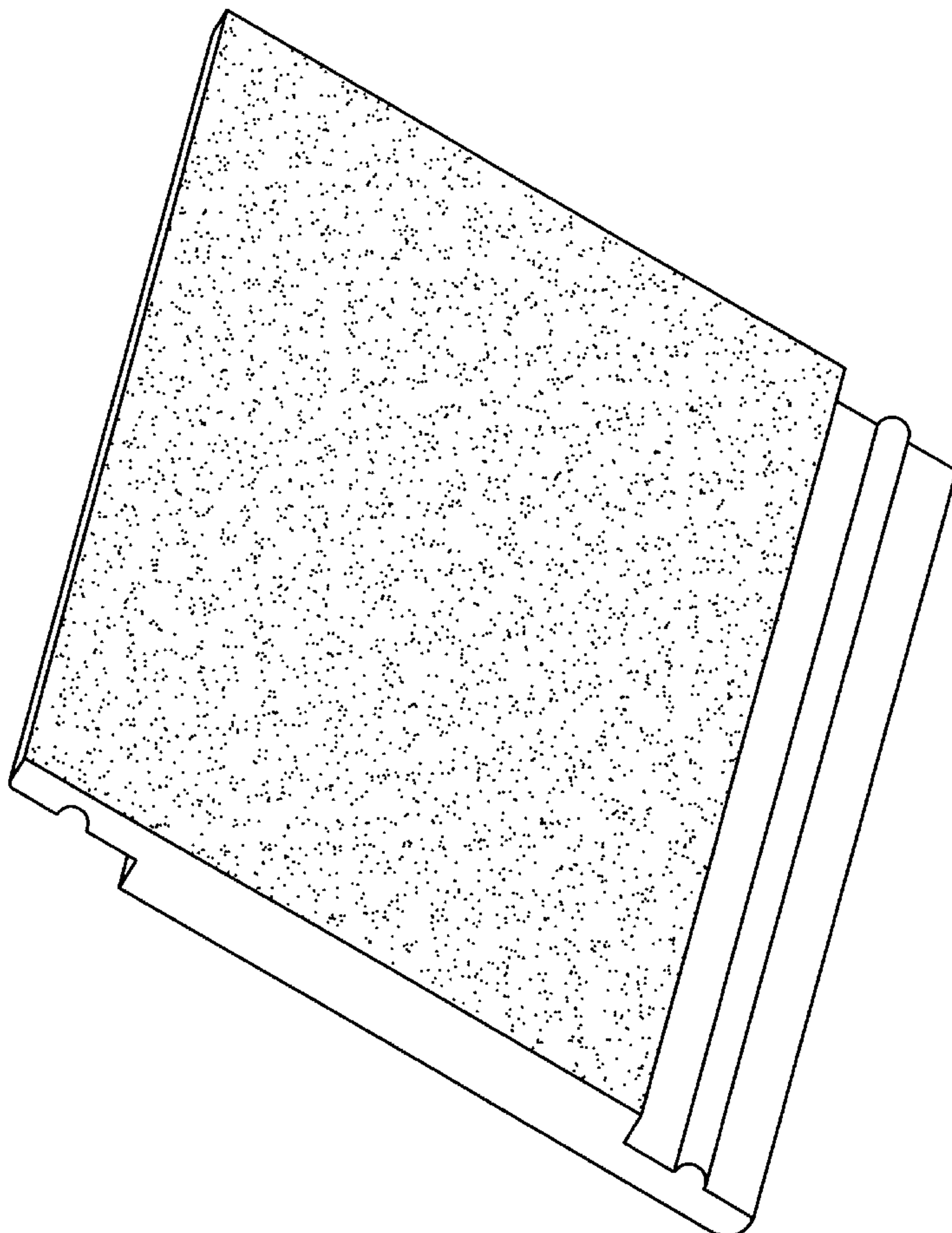
[57] CLAIM

The ornamental design for a roofing shingle, as shown and described.

DESCRIPTION

FIG. 1 is a top perspective view of a roofing shingle of the present invention;
 FIG. 2 is a bottom perspective view of the roofing shingle of FIG. 1;
 FIG. 3 is a bottom plan view of the roofing shingle of FIG. 1;
 FIG. 4 is a top plan view of the roofing shingle of FIG. 1;
 FIG. 5 is a front elevational view of the roofing shingle of FIG. 1 with the top of the roofing shingle facing downward;
 FIG. 6 is a rear elevational view of the roofing shingle of FIG. 1, with the top of the roofing shingle facing upward;
 FIG. 7 is a left side elevation view of the roofing shingle of FIG. 1, with the top of the roofing shingle facing upward; and,
 FIG. 8 is a right side elevation view of the roofing shingle of FIG. 1, with the top of the roofing shingle facing downward.

1 Claim, 8 Drawing Sheets



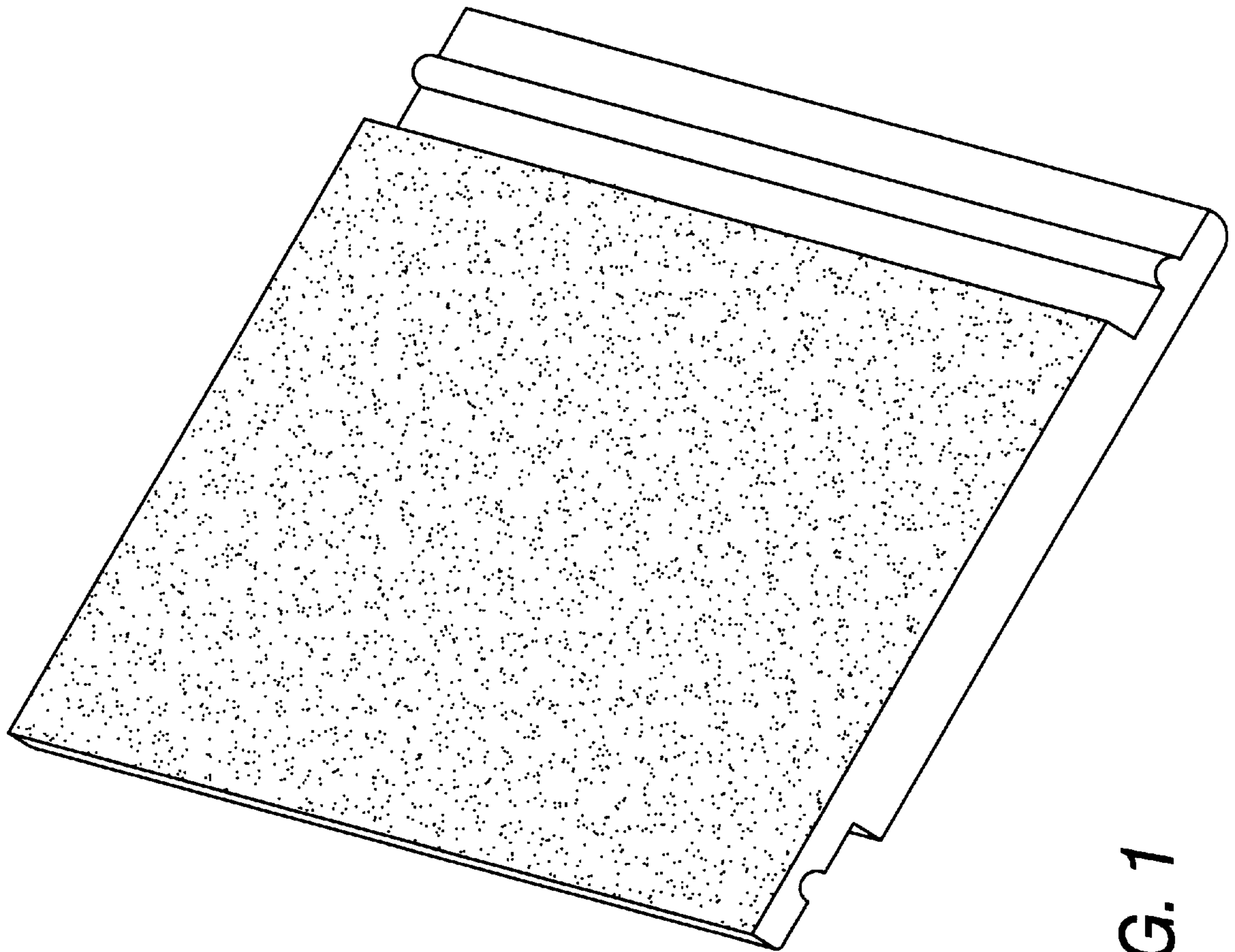


FIG. 1

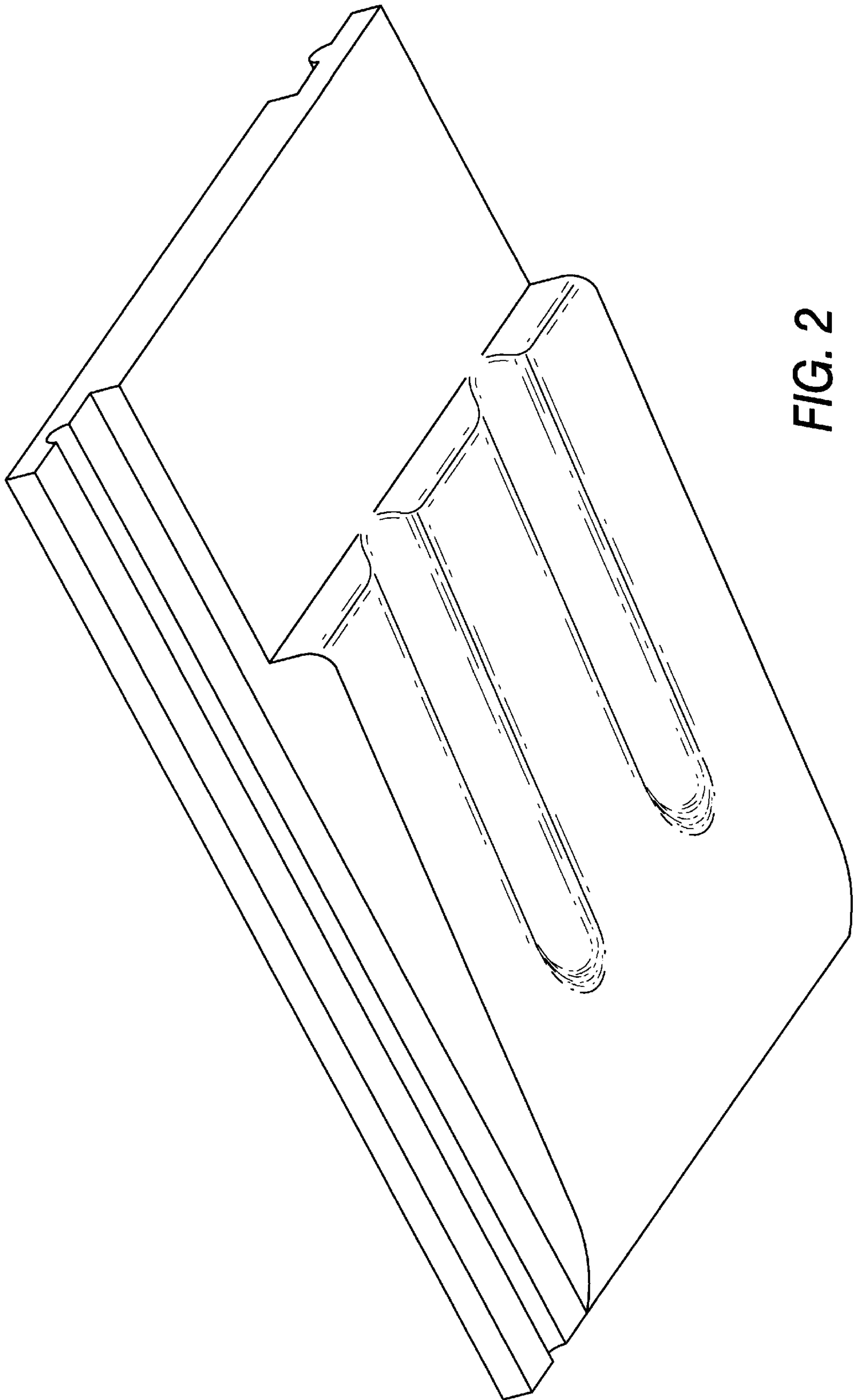


FIG. 2

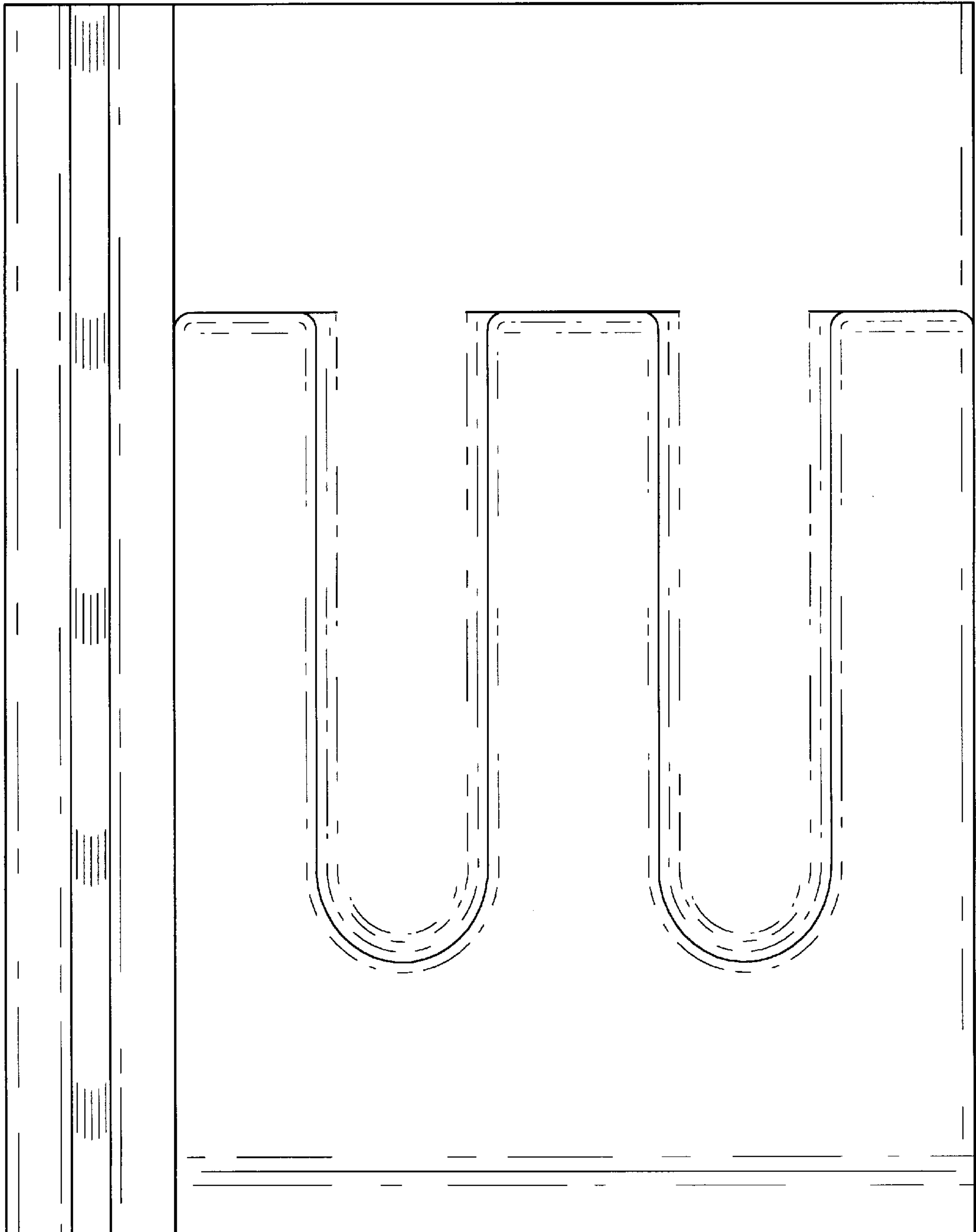
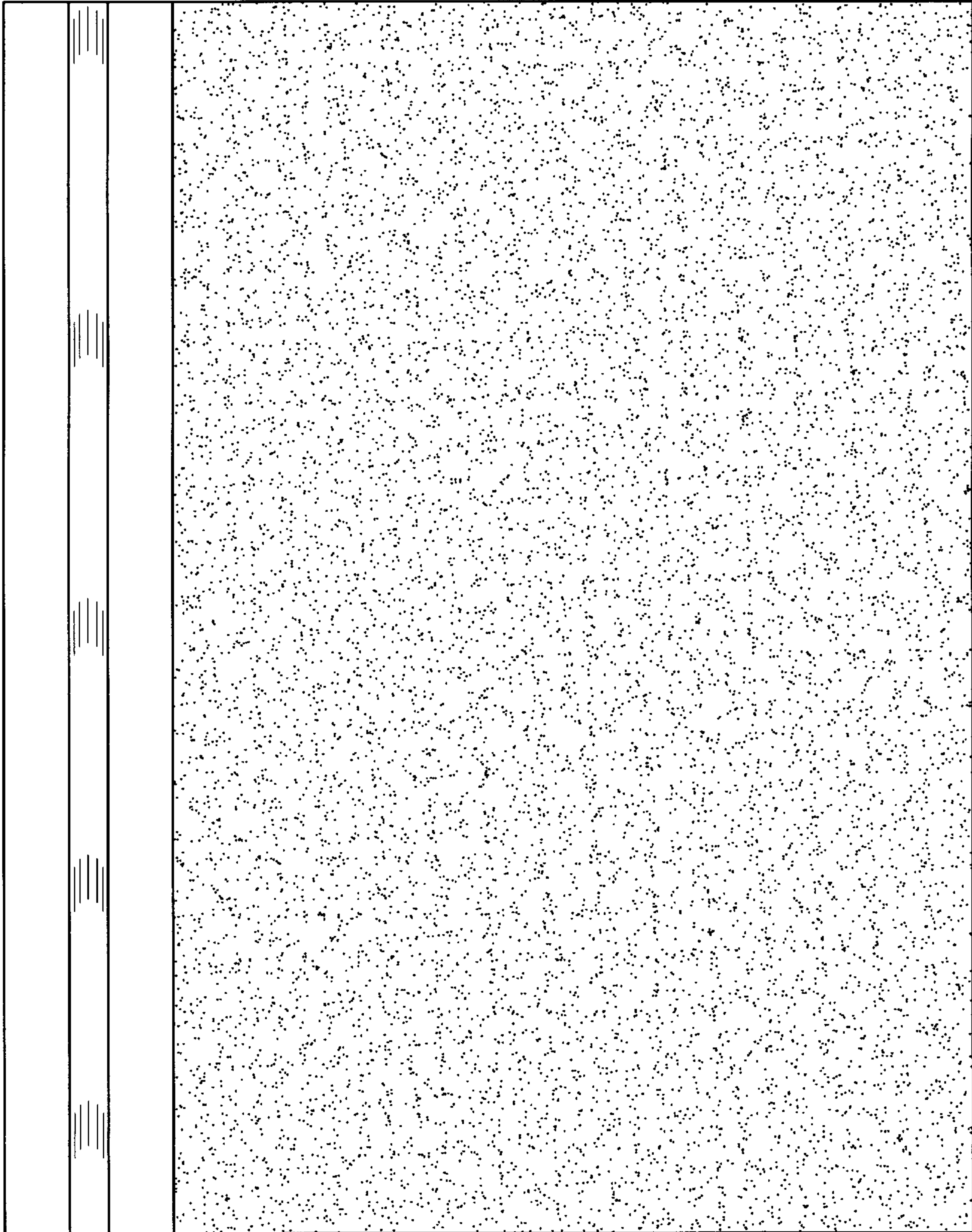


FIG. 3

FIG. 4



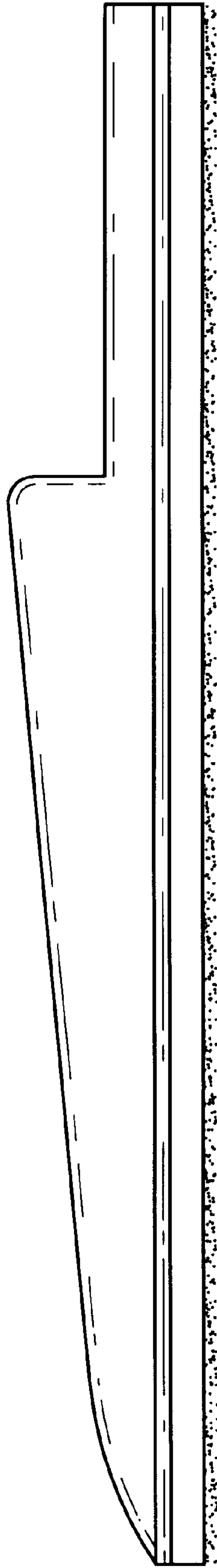


FIG. 5

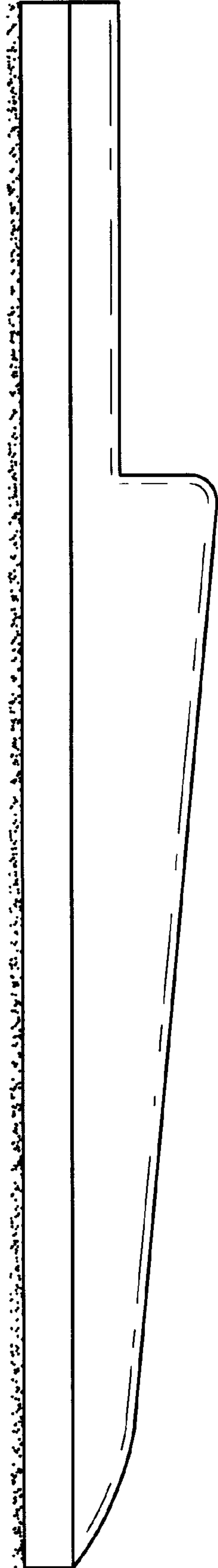


FIG. 6

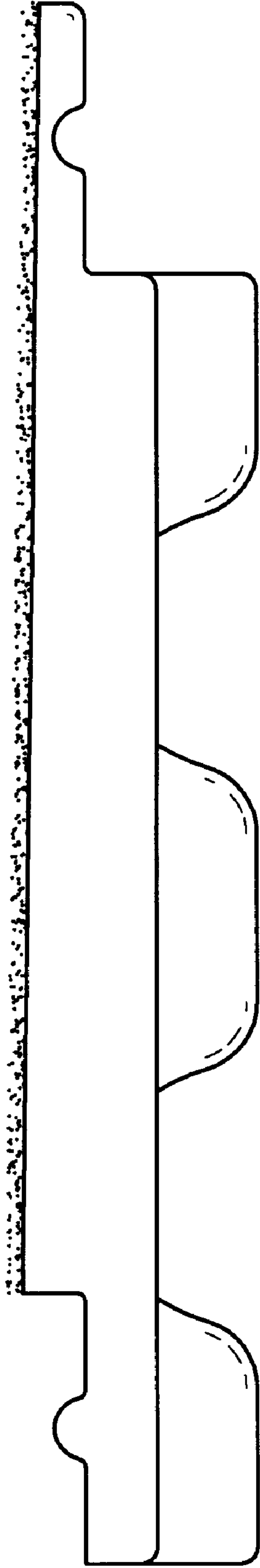


FIG. 7

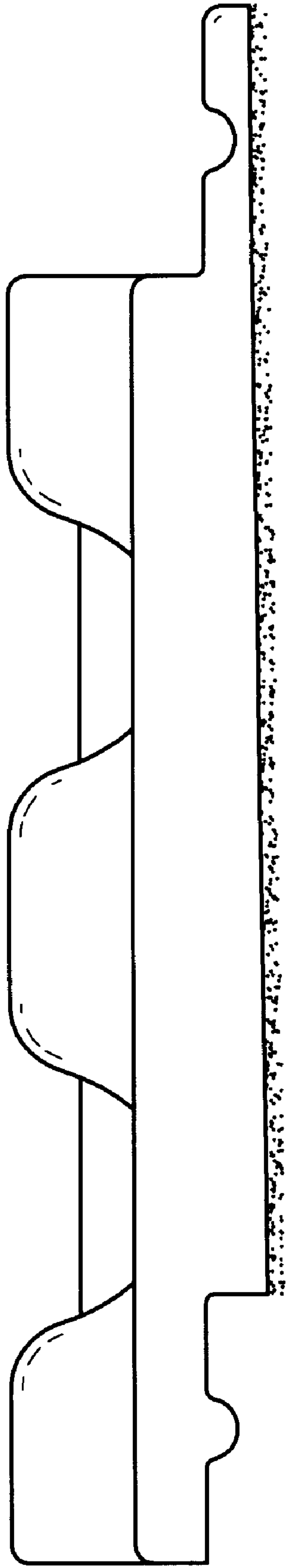


FIG. 8