



US00D413391S

United States Patent [19]

[11] **Patent Number: Des. 413,391**

Lapeus et al.

[45] **Date of Patent: ** Aug. 31, 1999**

[54] TEST TUBE SAMPLE RACK	4,022,579	5/1977	Revillet et al.	211/74 X
	4,534,465	8/1985	Rothermel et al.	211/74 X
[75] Inventors: David J. Lapeus , Medina, Ohio; Michael Ballash , Miami, Fla.	5,186,339	2/1993	Heissler	D24/227 X
	5,525,304	6/1996	Matsson et al.	211/74 X

[73] Assignee: **Bayer Corporation**, E. Walpole, Mass.

Primary Examiner—Stella Reid
Assistant Examiner—I Simmons
Attorney, Agent, or Firm—Arthur S. Morgenstern; Charles L. Gagnebin, III

[**] Term: **14 Years**

[21] Appl. No.: **29/083,143**

[57] CLAIM

[22] Filed: **Feb. 5, 1998**

The ornamental design for a test tube sample rack, as shown.

Related U.S. Application Data

DESCRIPTION

[63] Continuation of application No. 08/502,653, Jul. 14, 1995, Pat. No. 5,720,377.

FIG. 1 is a top-right perspective view of the test tube sample rack;

[51] **LOC (6) Cl.** **24-02**

FIG. 2 is a top-left perspective view thereof;

[52] **U.S. Cl.** **D24/227; D24/229; D24/230**

FIG. 3 is a front view thereof;

[58] **Field of Search** D24/227, 230,
D24/224, 226, 229, 223; 422/102, 63, 65,
104; 211/74, 70.1

FIG. 4 is a right side view thereof;

FIG. 5 is a rear view thereof;

FIG. 6 is a left side view thereof

FIG. 7 is a top view thereof; and,

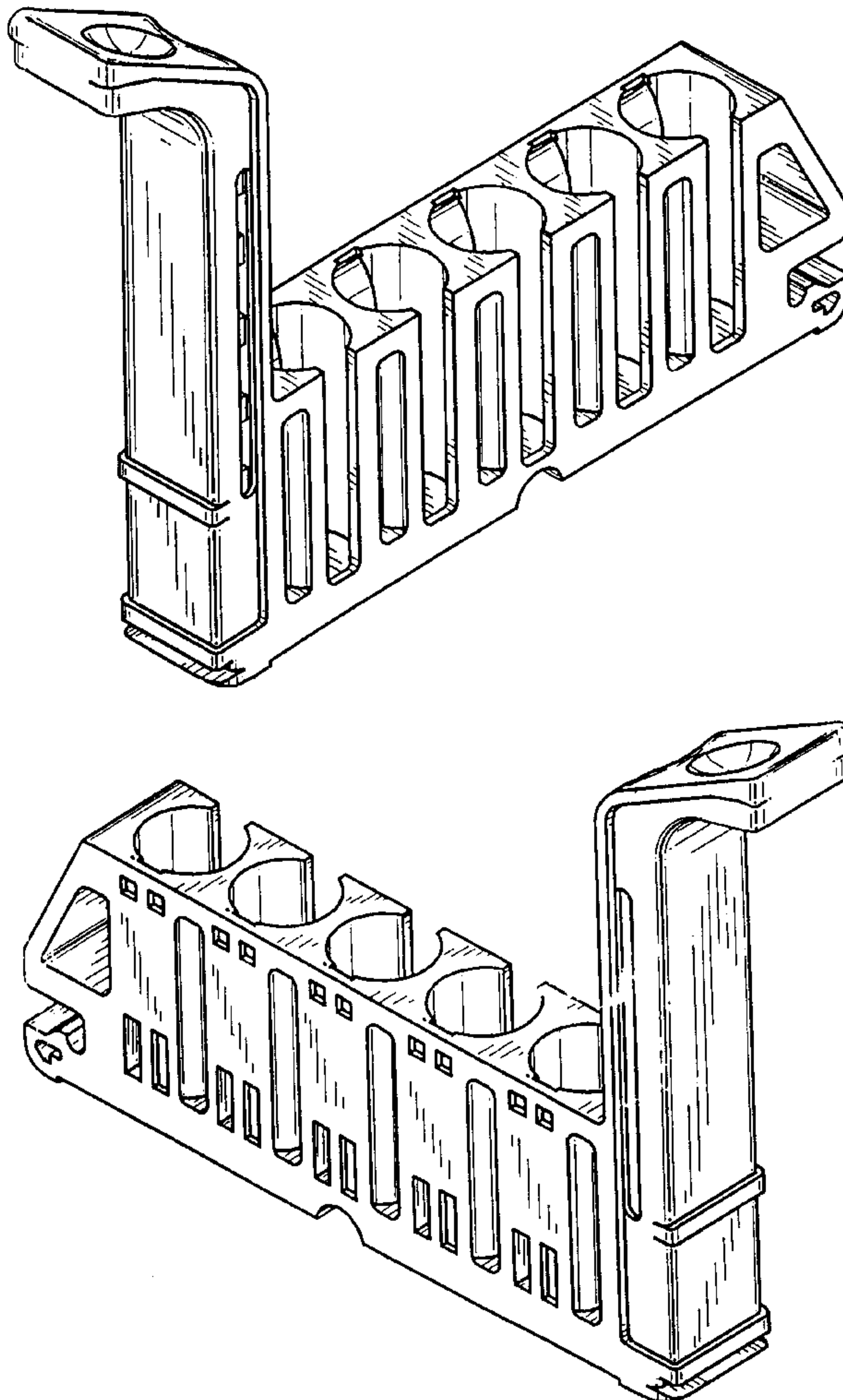
FIG. 8 is a bottom view thereof.

[56] References Cited

U.S. PATENT DOCUMENTS

D. 382,346 8/1997 Buhler et al. D24/227

1 Claim, 5 Drawing Sheets



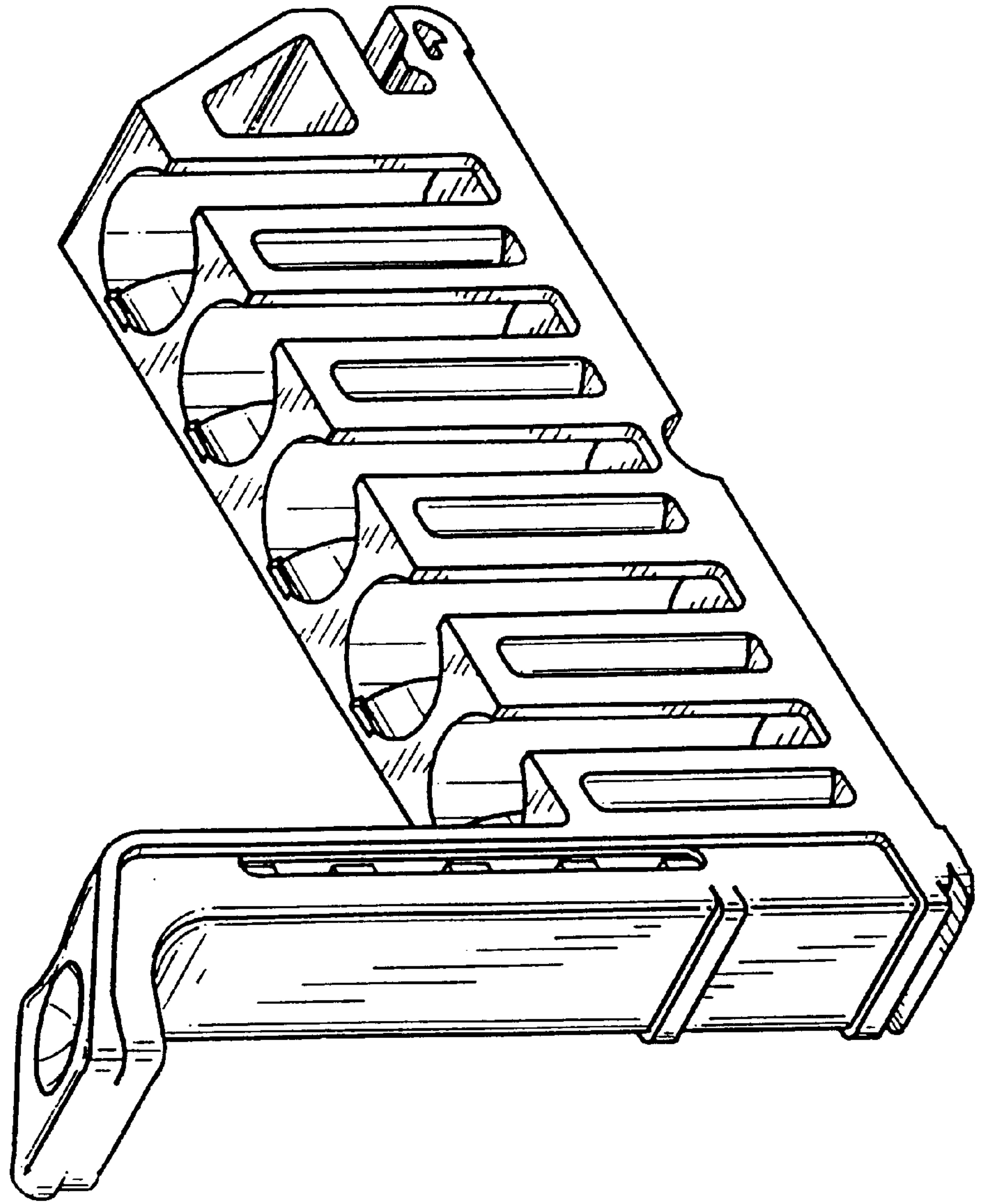


Fig. 1

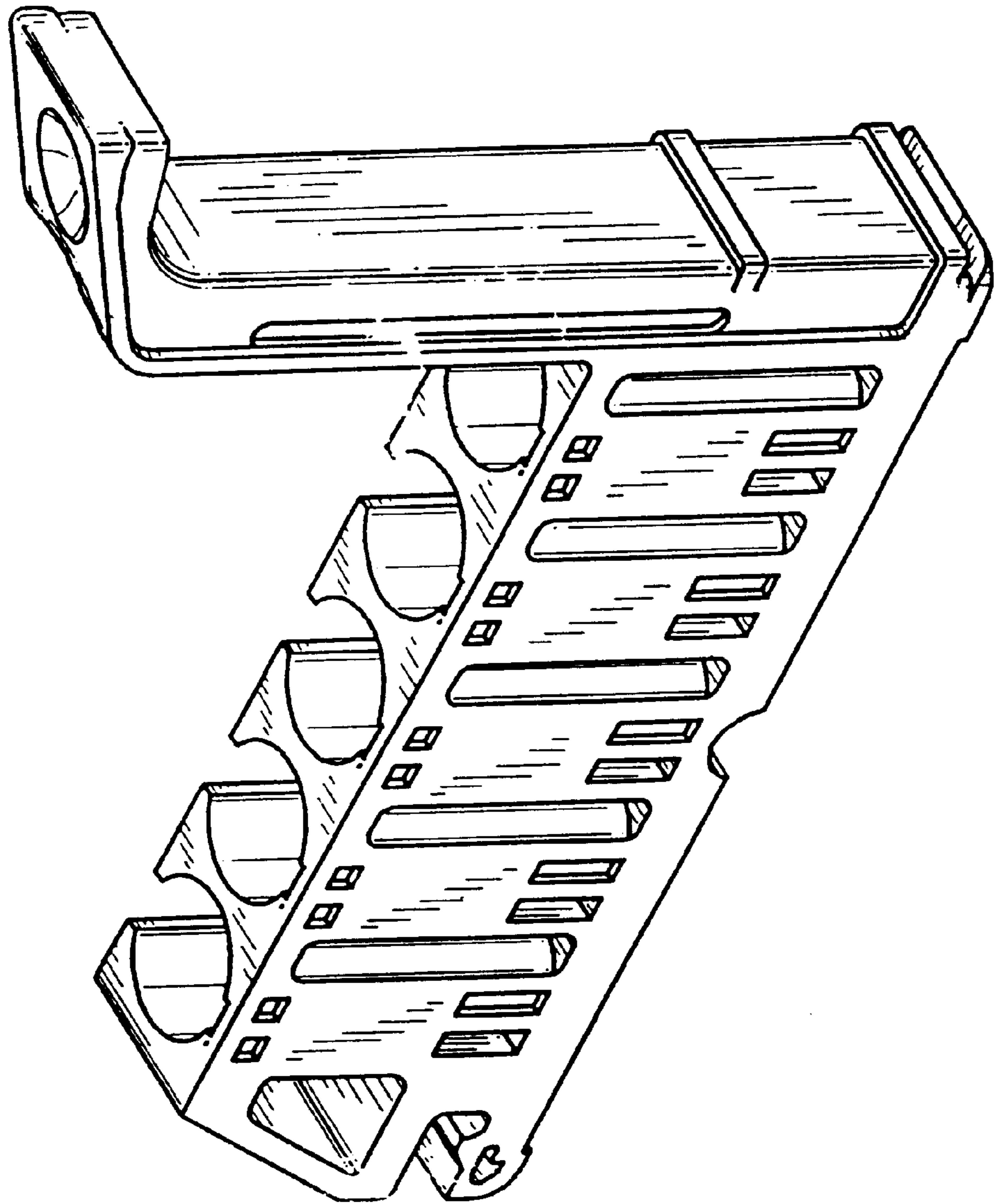


Fig. 2

Fig. 4

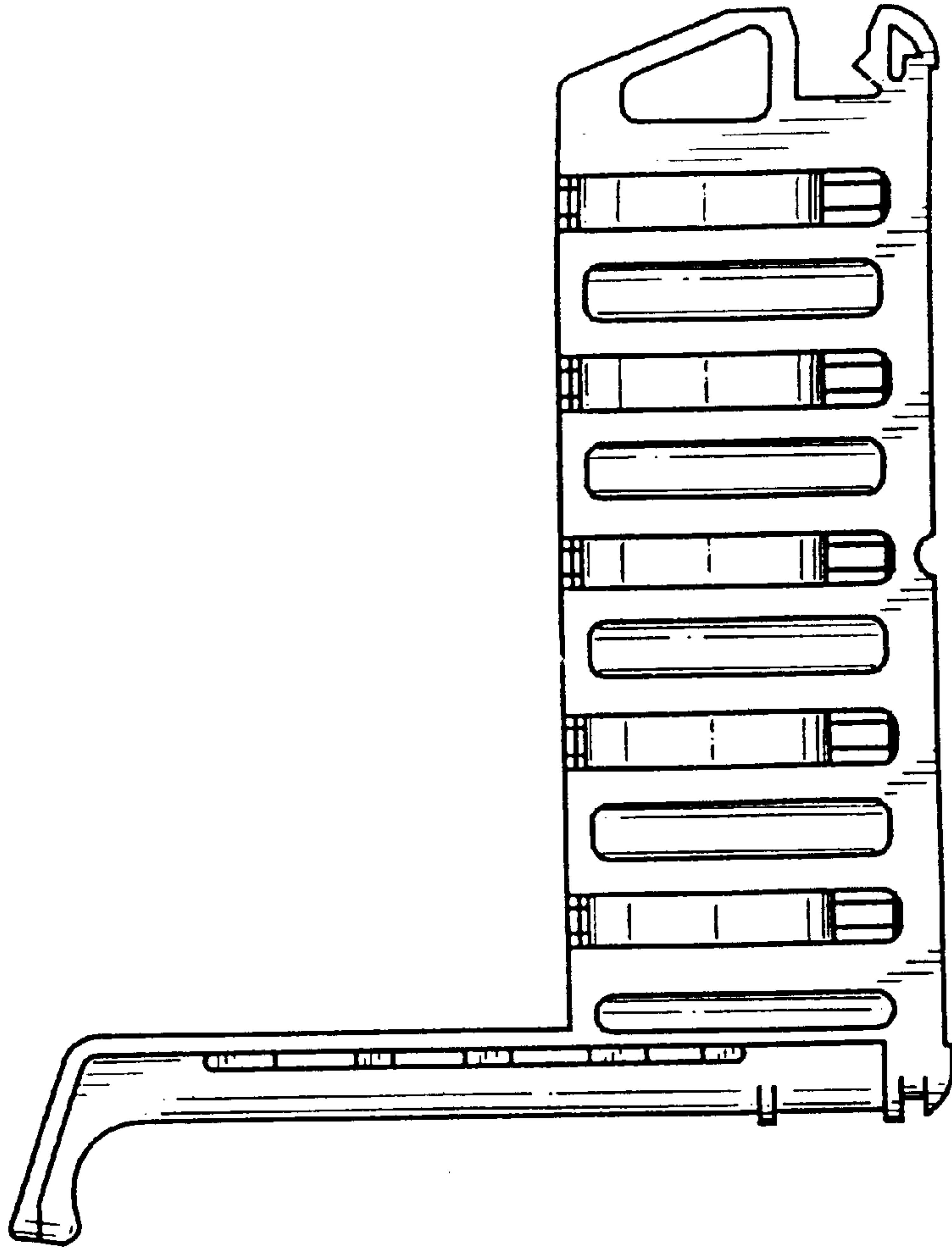


Fig. 3

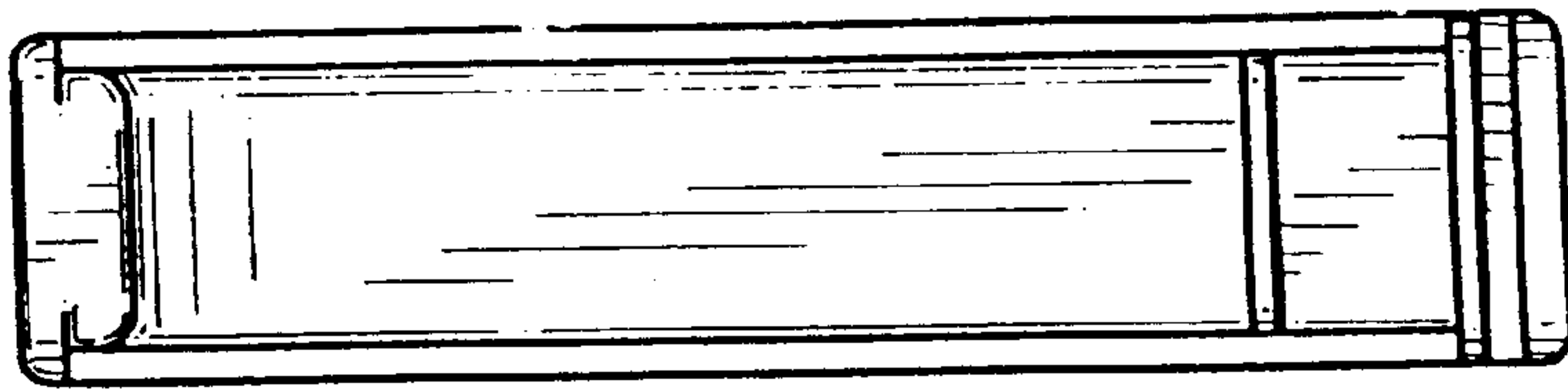


Fig. 5

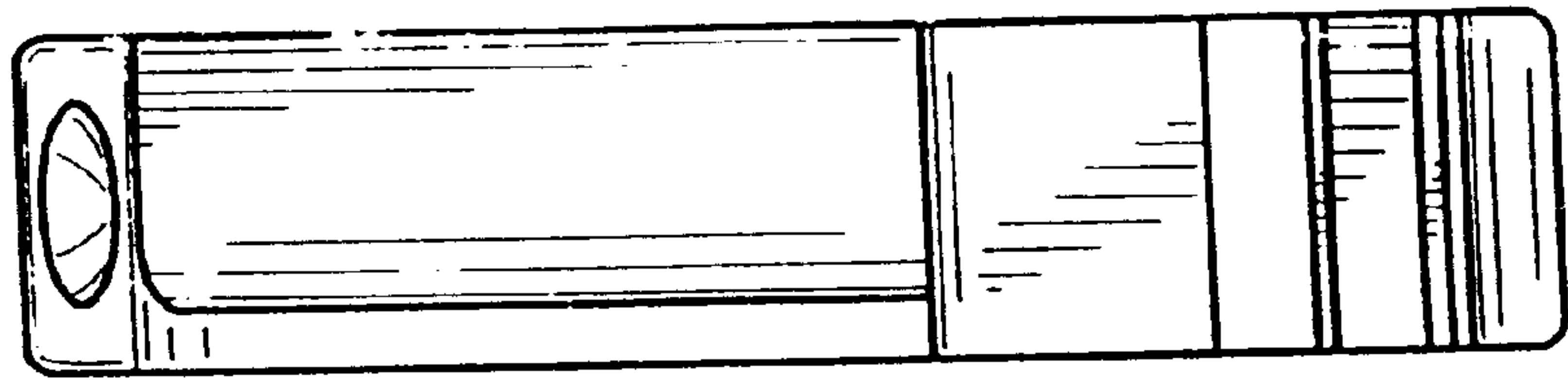


Fig. 6

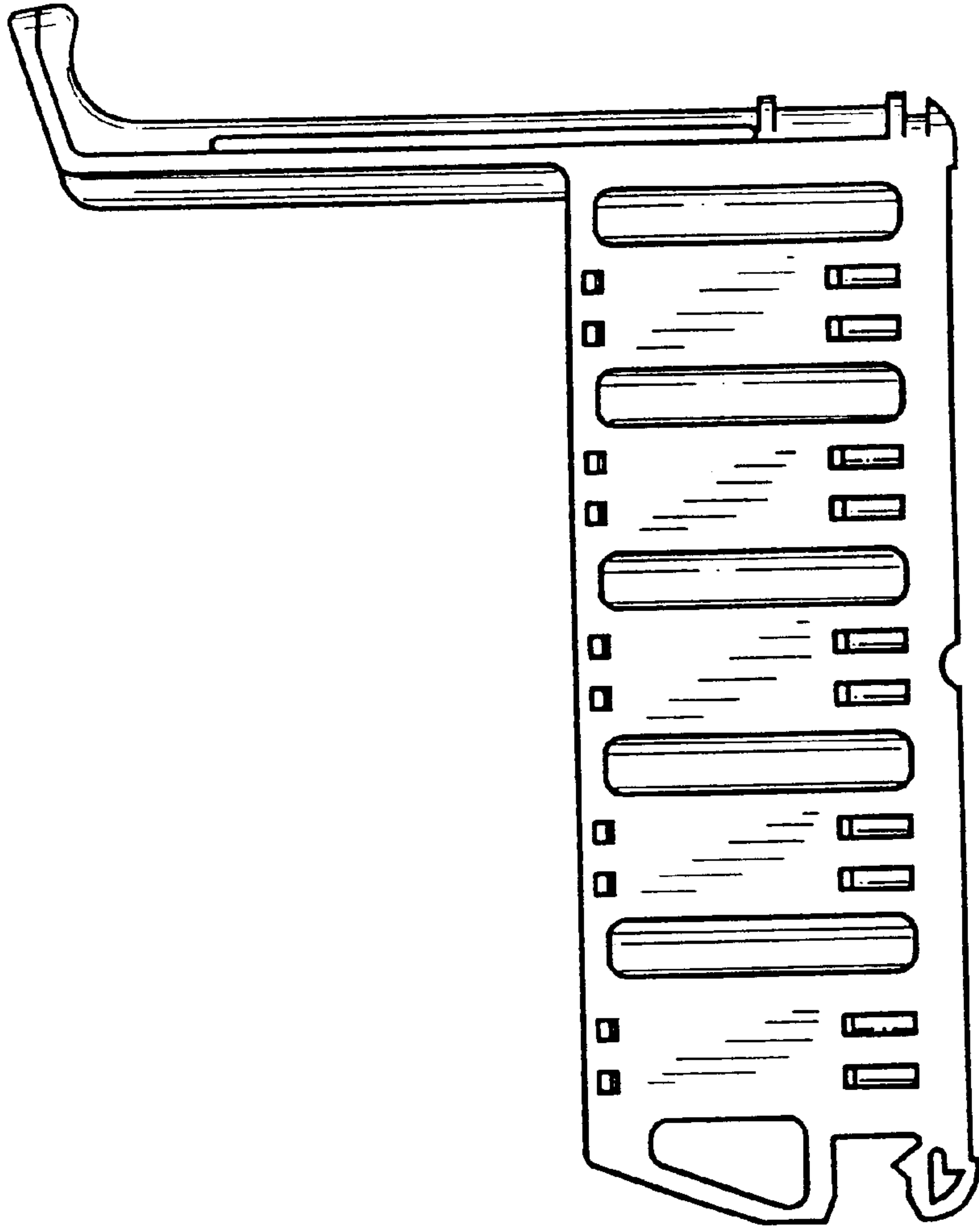


Fig. 7

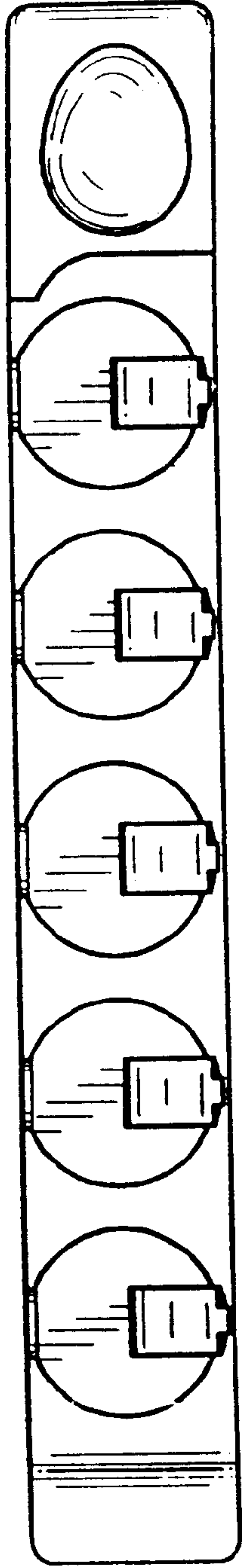


Fig. 8

