



US00D413384S

United States Patent [19]

[11] Patent Number: Des. 413,384

Hanley et al.

[45] Date of Patent: ** Aug. 31, 1999

[54] DENTAL PROPHY CUP

[75] Inventors: Patrick Hanley, So. San Fransisco;
Garry Anderson, Stockton, both of Calif.

[73] Assignee: Gillette Canada Inc., Kirkland, Canada

[**] Term: 14 Years

[21] Appl. No.: 29/089,161

[22] Filed: Jun. 9, 1998

[51] LOC (6) Cl. 24-02

[52] U.S. Cl. D24/176

[58] Field of Search D24/176, 180;
433/166, 125

4,365,956	12/1982	Bailey	433/115
4,693,871	9/1987	Geller	433/116
4,795,343	1/1989	Choisser	433/116
4,842,516	6/1989	Choisser	433/132
4,929,180	5/1990	Moreschini	433/166
4,941,828	7/1990	Kimura	433/114
5,020,994	6/1991	Huang	433/126
5,028,233	7/1991	Witherby	433/125
5,040,978	8/1991	Falcon et al.	433/125
5,083,922	1/1992	Yale	433/166
5,094,615	3/1992	Bailey	433/88
5,120,220	6/1992	Butler	433/125
5,156,547	10/1992	Bailey	433/125
5,334,020	8/1994	Eckert	433/166
5,360,339	11/1994	Rosenberg	433/166 X
5,730,595	3/1998	Bailey	433/125
5,871,353	2/1999	Pierce et al.	433/125 X

[56] References Cited

U.S. PATENT DOCUMENTS

Re. 24,391	11/1957	McFadden	51/170
263,814	9/1882	Schmitz	.
D. 368,964	4/1996	Mendoza	D24/176
D. 371,199	6/1996	Mendoza	D24/176
1,999,488	5/1935	Swisher et al.	32/27
2,017,881	10/1935	Wiseman	32/59
2,025,799	12/1935	Burgoyne et al.	266/28
2,135,933	11/1938	Blair	128/48
2,226,145	12/1940	Smith	15/29
2,300,828	11/1942	Goldenberg	32/59
2,315,016	3/1943	Shotton	32/26
2,328,270	8/1943	Greenberg	74/56
2,789,352	4/1957	Wiseman	32/59
2,937,444	5/1960	Kern	32/27
3,163,934	1/1965	Wiseman	32/27
3,192,922	7/1965	Winkler	128/62
3,229,369	1/1966	Hoffmeister et al.	32/27
3,421,224	1/1969	Brehm et al.	32/27
3,727,313	4/1973	Graham	32/27
3,740,853	6/1973	Brahler	32/59
3,855,704	12/1974	Booth	32/28
3,877,574	4/1975	Killick	206/368
3,955,284	5/1976	Balson	32/27
3,987,550	10/1976	Danne et al.	32/59
4,053,983	10/1977	Flatland	32/27
4,182,041	1/1980	Girard	433/115
4,248,589	2/1981	Lewis	433/80
4,259,071	3/1981	Warden et al.	433/166
4,266,933	5/1981	Warden et al.	433/82

FOREIGN PATENT DOCUMENTS

55156720	4/1954	Japan	.
53-78698	7/1978	Japan	A61C 1/00
61-293449	12/1986	Japan	A61C 3/06
62-39707	3/1987	Japan	A61C 3/06
63-26312	2/1988	Japan	A61C 3/06
4-24057	4/1992	Japan	A61C 13/00
3-289954	12/1992	Japan	A61C 3/06
5-245166	9/1993	Japan	A61C 3/06

Primary Examiner—Doris Clark
Assistant Examiner—I Simmons
Attorney, Agent, or Firm—David A. Howley

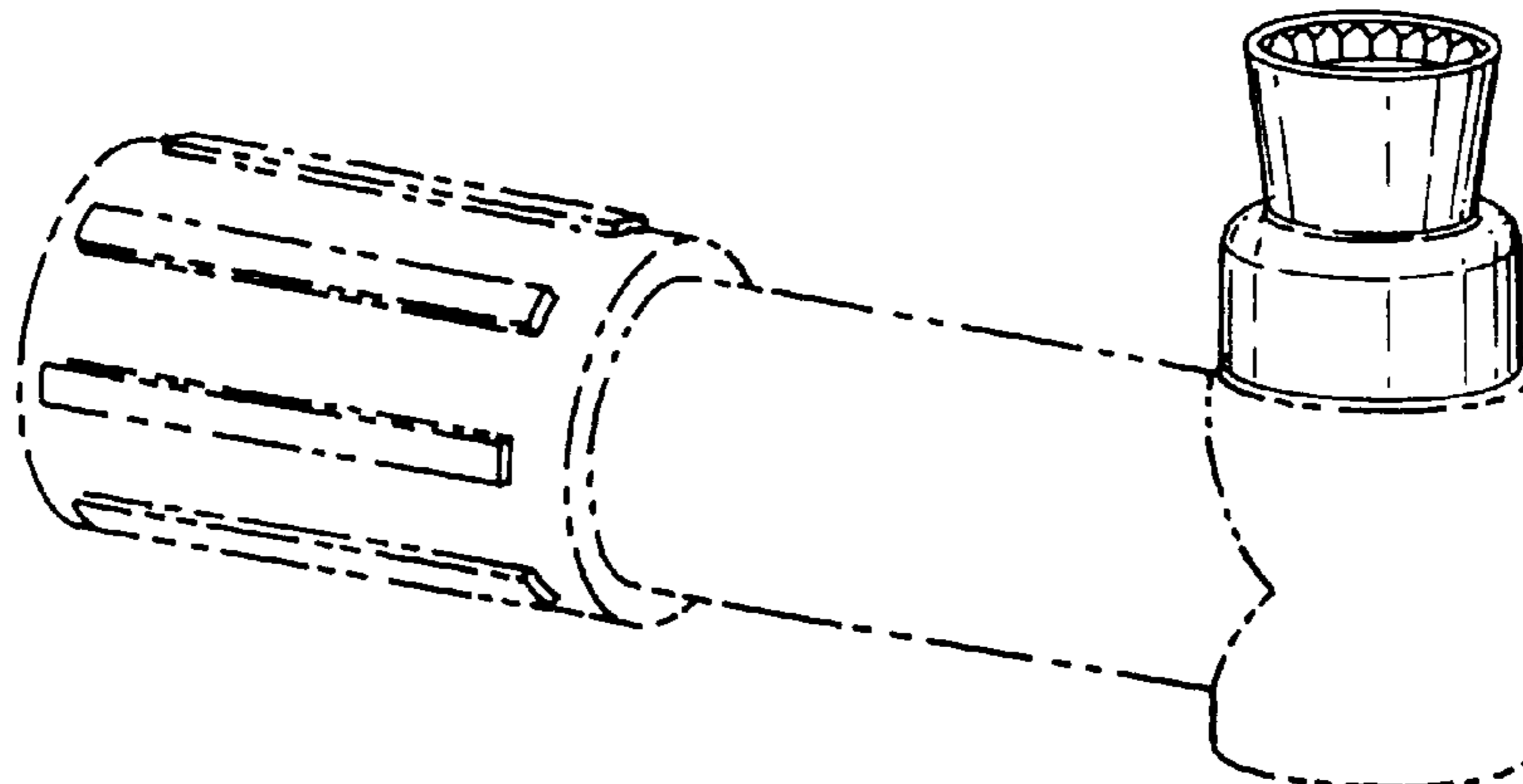
[57] CLAIM

The ornamental design for a dental prophy cup, as shown and described.

DESCRIPTION

FIG. 1 is a perspective view as seen from the top and front of a dental prophy cup showing our new design;
FIG. 2 is a front elevational view thereof;
FIG. 3 is a top plan view thereof;
FIG. 4 is a cross-sectional view of FIG. 3 taken along the lines 4—4;
FIG. 5 is a bottom plan view thereof; and,
FIG. 6 is a perspective view as seen from the top and front thereof, the broken line showing is for illustrative purposes only and forms no part of the claimed design.

1 Claim, 1 Drawing Sheet



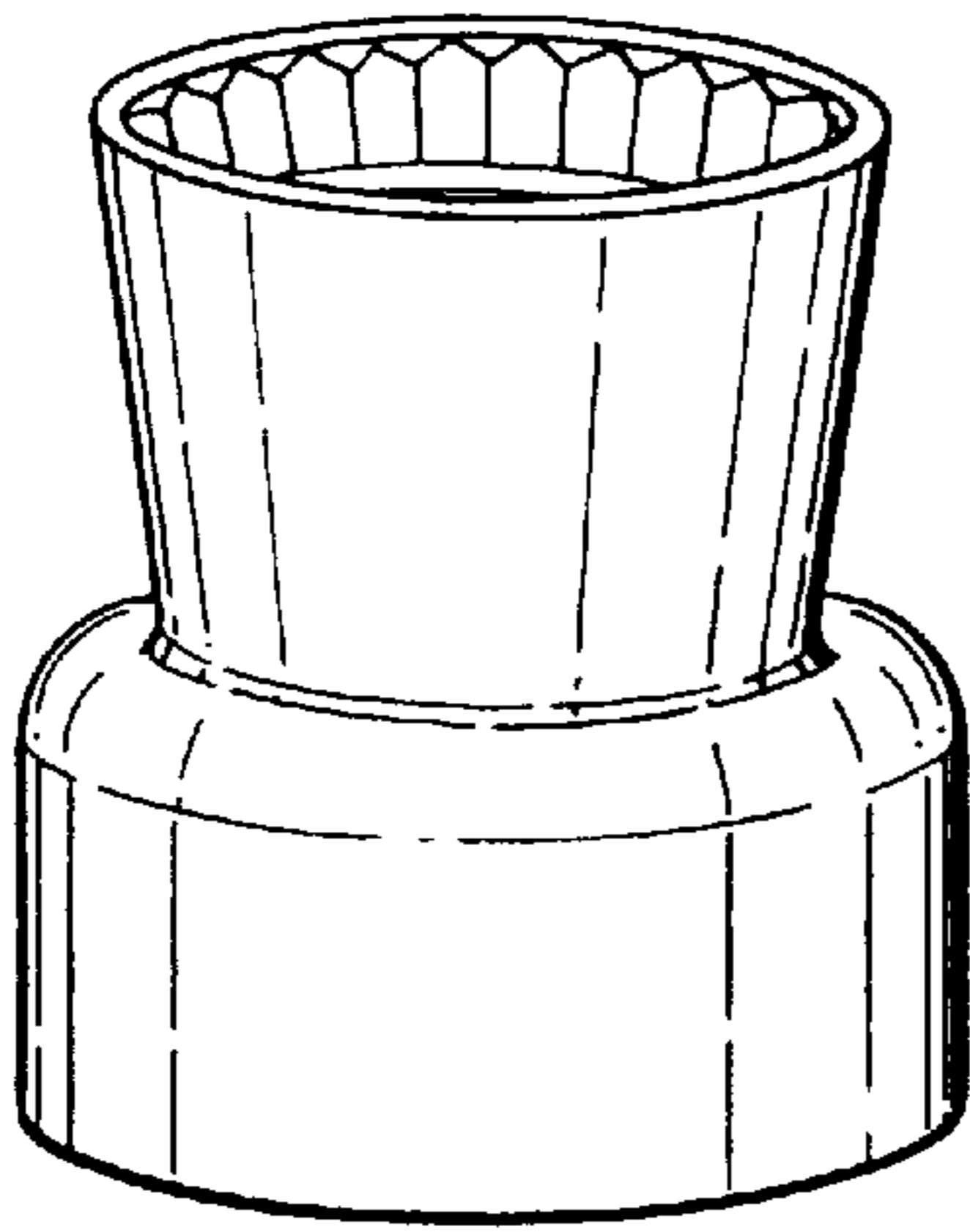


FIG. 1

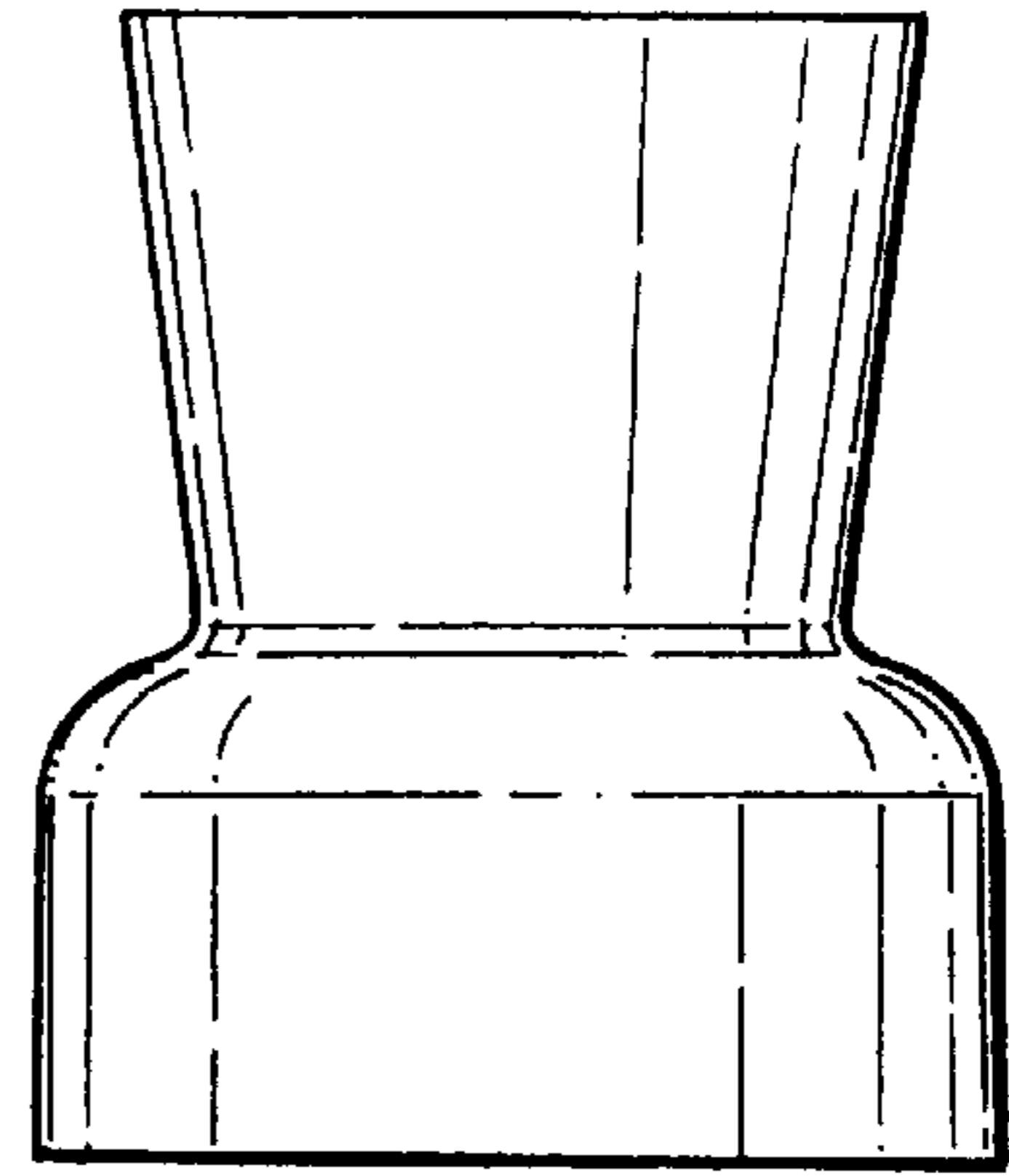


FIG. 2

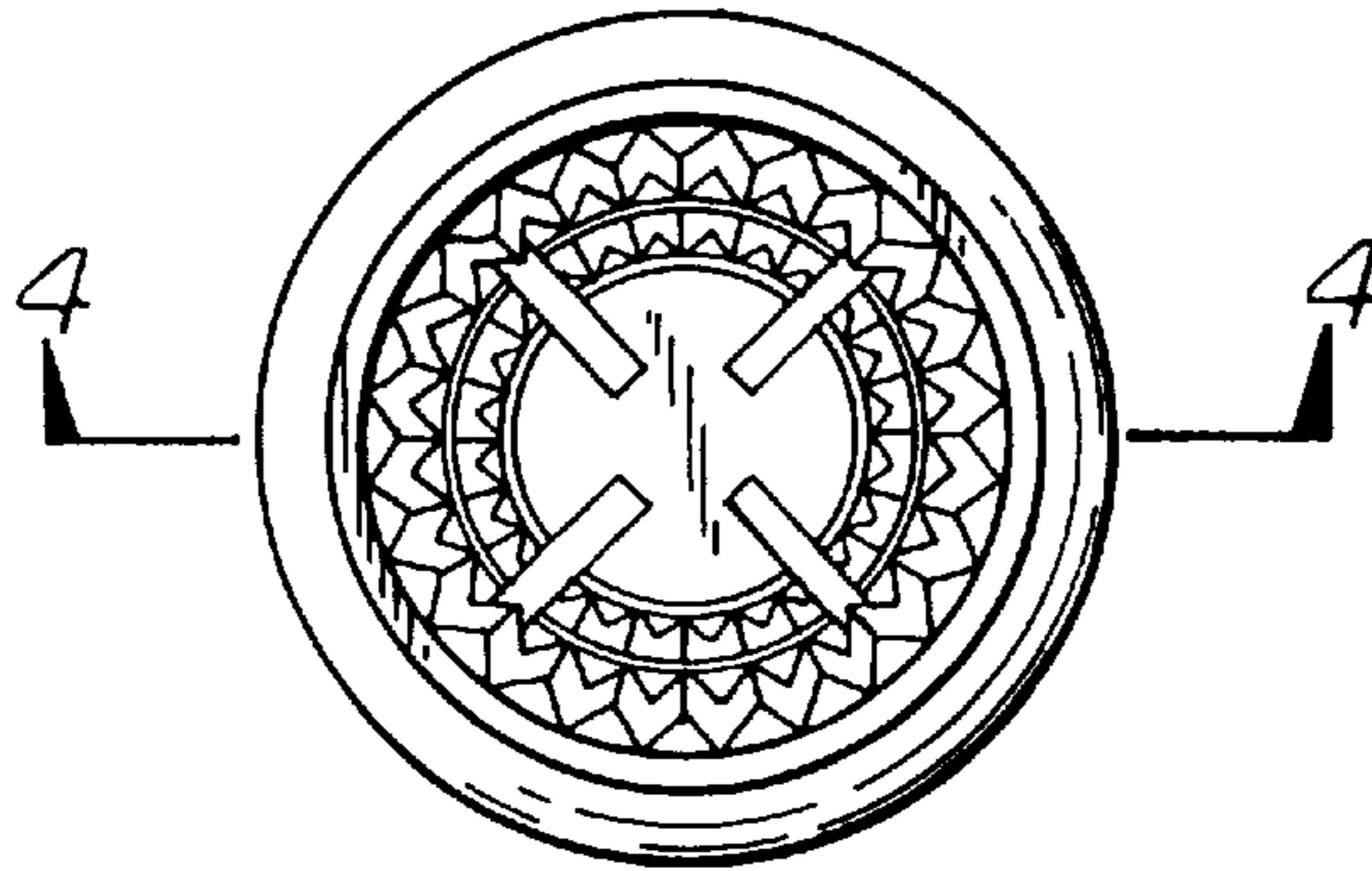


FIG. 3

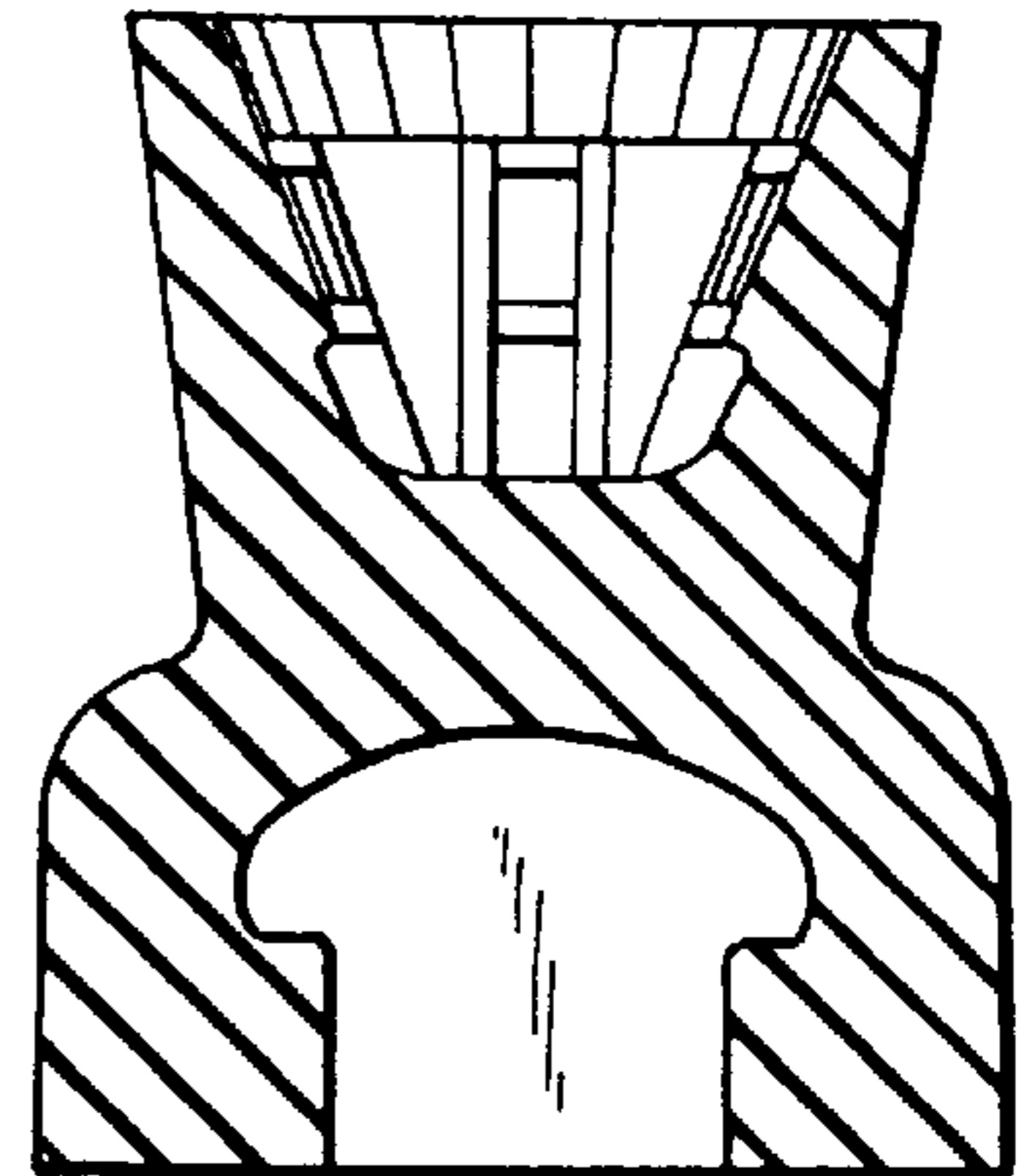


FIG. 4

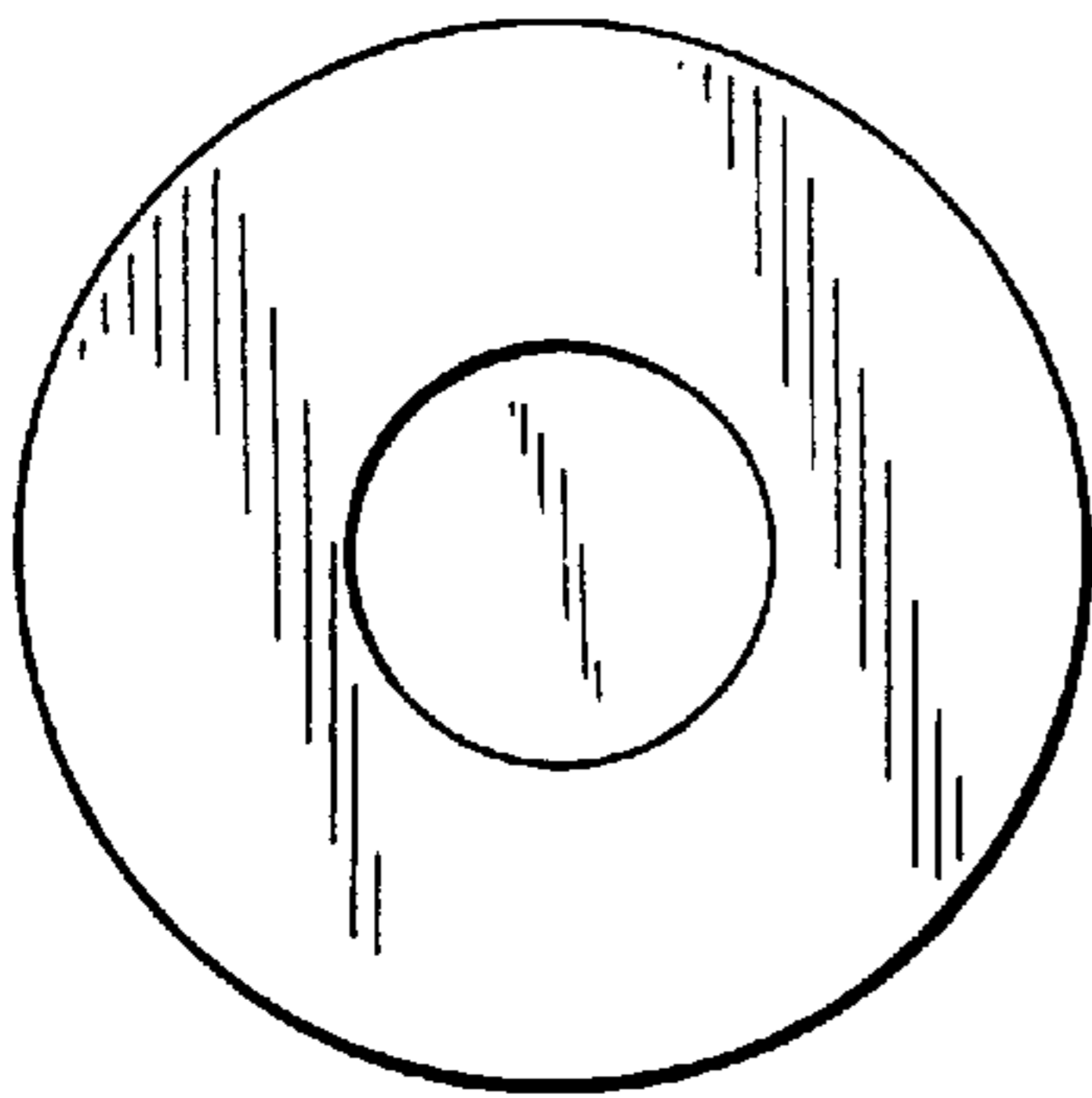


FIG. 5

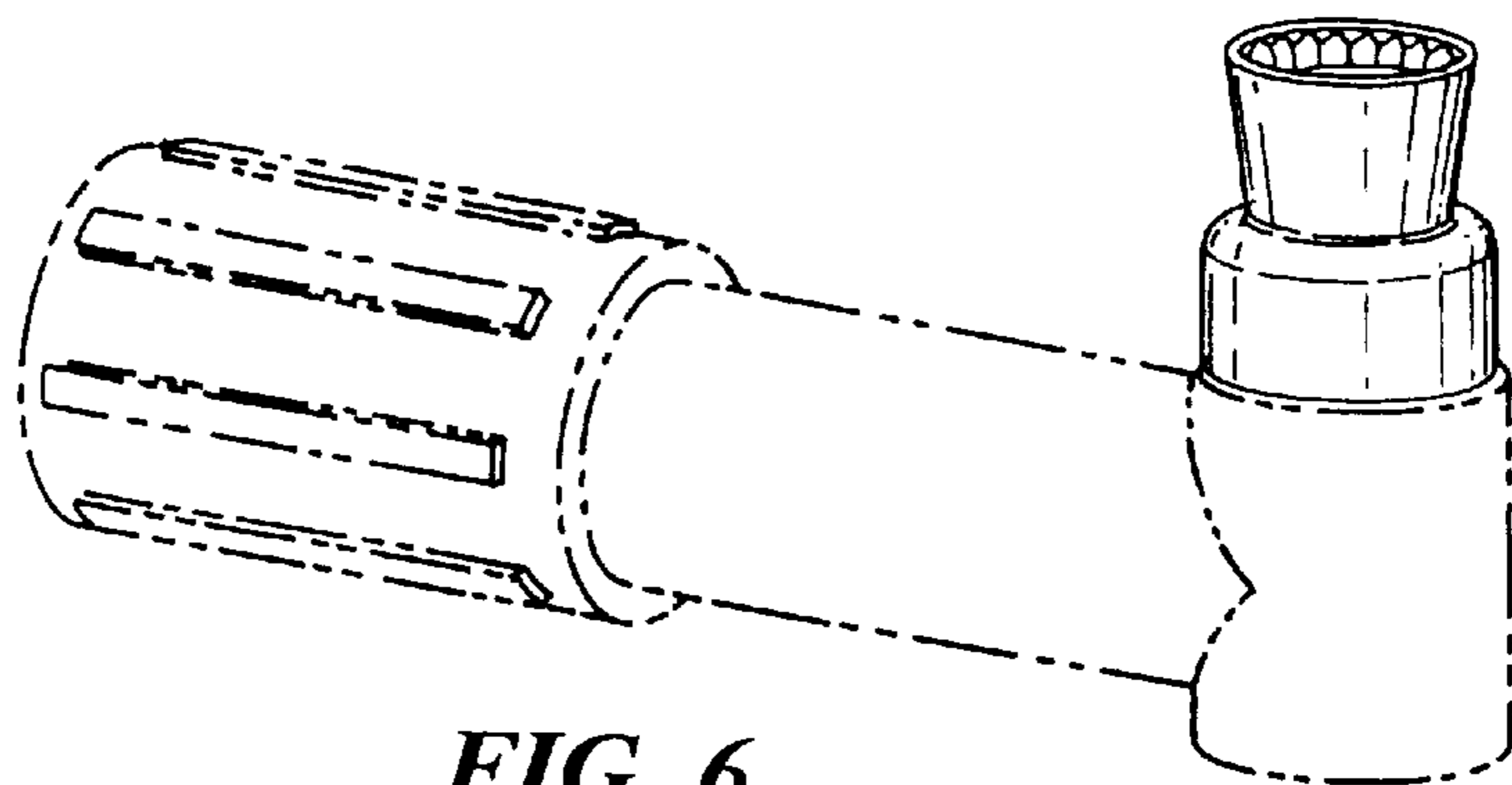


FIG. 6