



US00D413383S

United States Patent [19]

[11] Patent Number: Des. 413,383

Vryonis et al.

[45] Date of Patent: ** Aug. 31, 1999

[54] ABUTMENT FOR USE IN DENTAL IMPLANTS

Attorney, Agent, or Firm—Knobbe, Martens Olson & Bear, LLP

[76] Inventors: Peter Vryonis, 15 Collins Street; Andrew M. Flood, Farrer House, 24 Collins Street, both of Melbourne, Victoria, 3000, Australia

[57] CLAIM

The ornamental design for abutment for use in dental implants, as shown and described.

[**] Term: 14 Years

DESCRIPTION

[21] Appl. No.: 29/070,010

FIG. 1 is a left side elevational view of a first embodiment for an abutment for use in dental implants, showing my new design, the right side being a mirror image thereof;

[22] Filed: Apr. 25, 1997

FIG. 2 is a top, left perspective view thereof;

[30] Foreign Application Priority Data

FIG. 3 is a top, front perspective view thereof;

Oct. 25, 1996 [AU] Australia 3707/96

FIG. 4 is a bottom, rear perspective view thereof;

[51] LOC (6) Cl. 24-03

FIG. 5 is a top view thereof;

[52] U.S. Cl. D24/156

FIG. 6 is a bottom view thereof;

[58] Field of Search D24/155, 156, D24/176, 231, 181; 433/172-174, 181, 40

FIG. 7 is a left side elevational view of a second embodiment for an abutment for use in dental implants, showing my new design, the right side being a mirror image thereof;

[56] References Cited

U.S. PATENT DOCUMENTS

D. 355,972	2/1995	Broberg et al.	D24/156
D. 362,720	9/1995	Holmen et al.	D24/155
3,318,001	5/1967	Rubin	433/40
5,209,666	5/1993	Balfour et al.	433/173
5,302,126	4/1994	Wimmer et al.	433/173
5,362,235	11/1994	Daftary	433/172
5,447,435	9/1995	Brodbeck	433/172
5,662,473	9/1997	Rassoli et al.	433/173

FIG. 8 is a top, left perspective view thereof;

FIG. 9 is a top, front perspective view thereof;

FIG. 10 is a bottom, rear perspective view thereof;

FIG. 11 is a top view thereof;

FIG. 12 is a bottom view thereof;

FIG. 13 is a left side elevational view of a third embodiment for an abutment for use in dental implants, showing my new design, the right side being a mirror image thereof;

FIG. 14 is a top, left perspective view thereof;

FIG. 15 is a top, front perspective view thereof;

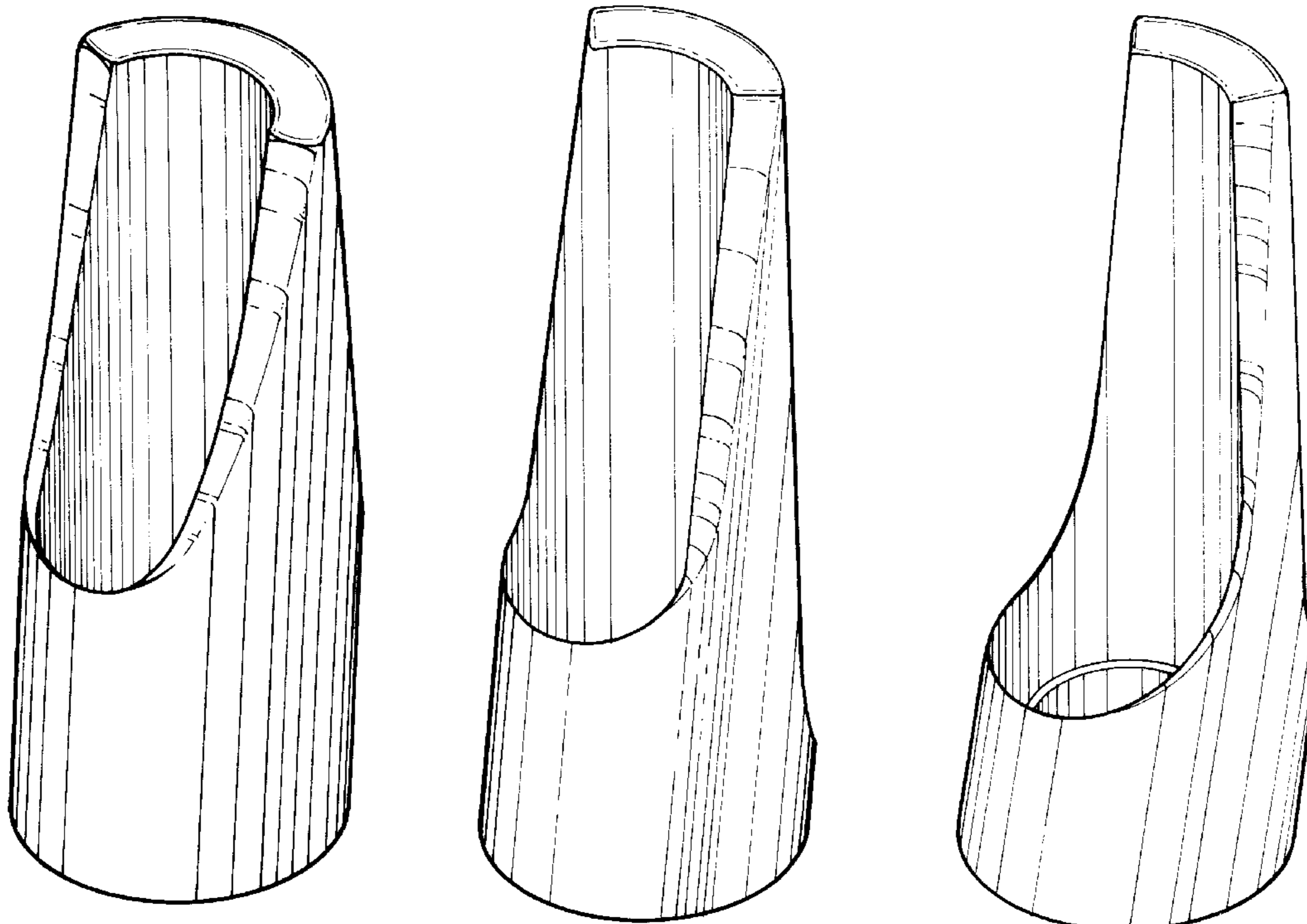
FIG. 16 is a bottom, rear perspective view thereof;

FIG. 17 is a top view thereof; and,

FIG. 18 is a bottom view thereof.

Primary Examiner—Louis S. Zarfaz
Assistant Examiner—G. Andoll

1 Claim, 6 Drawing Sheets



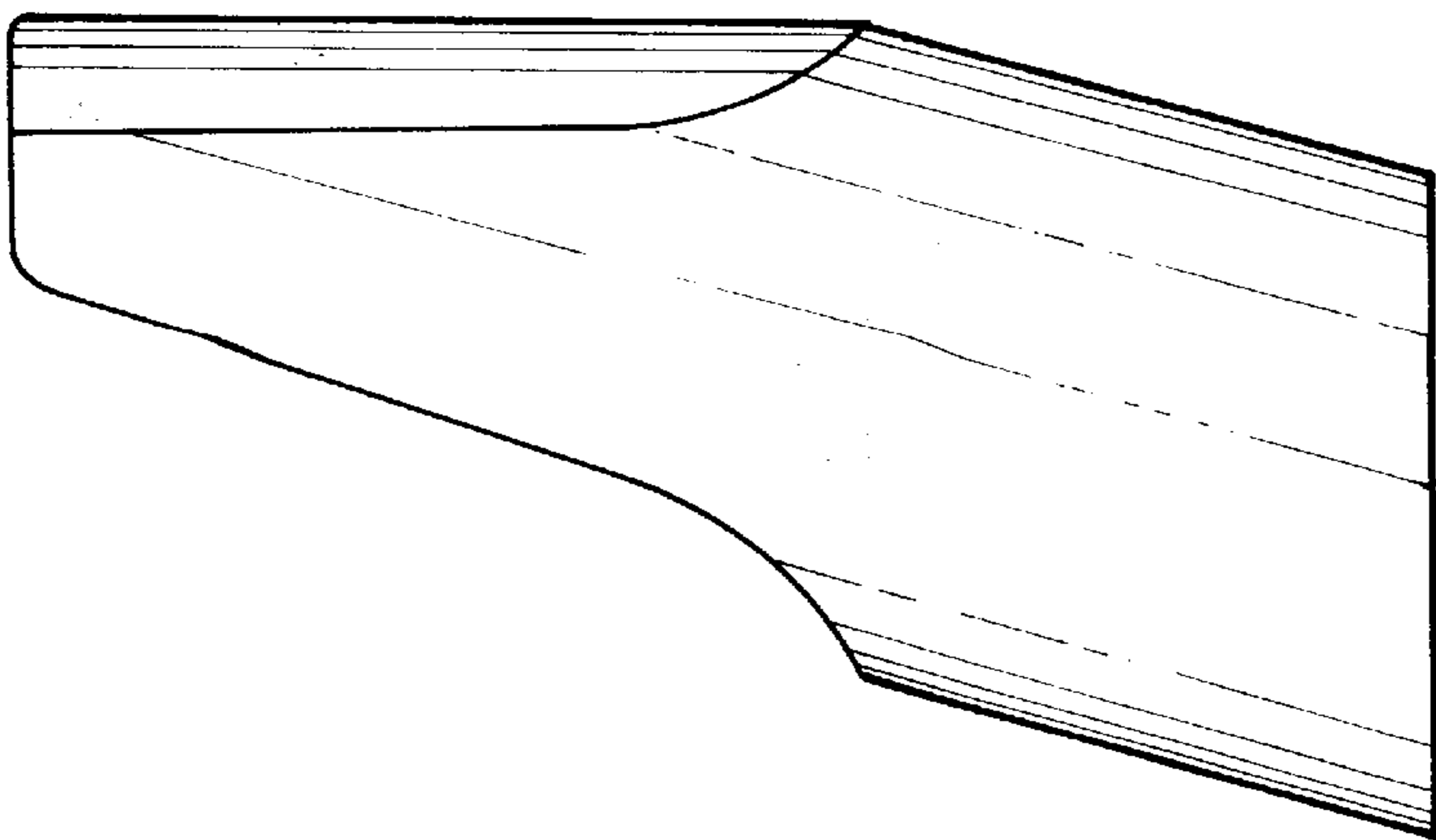


FIG 1

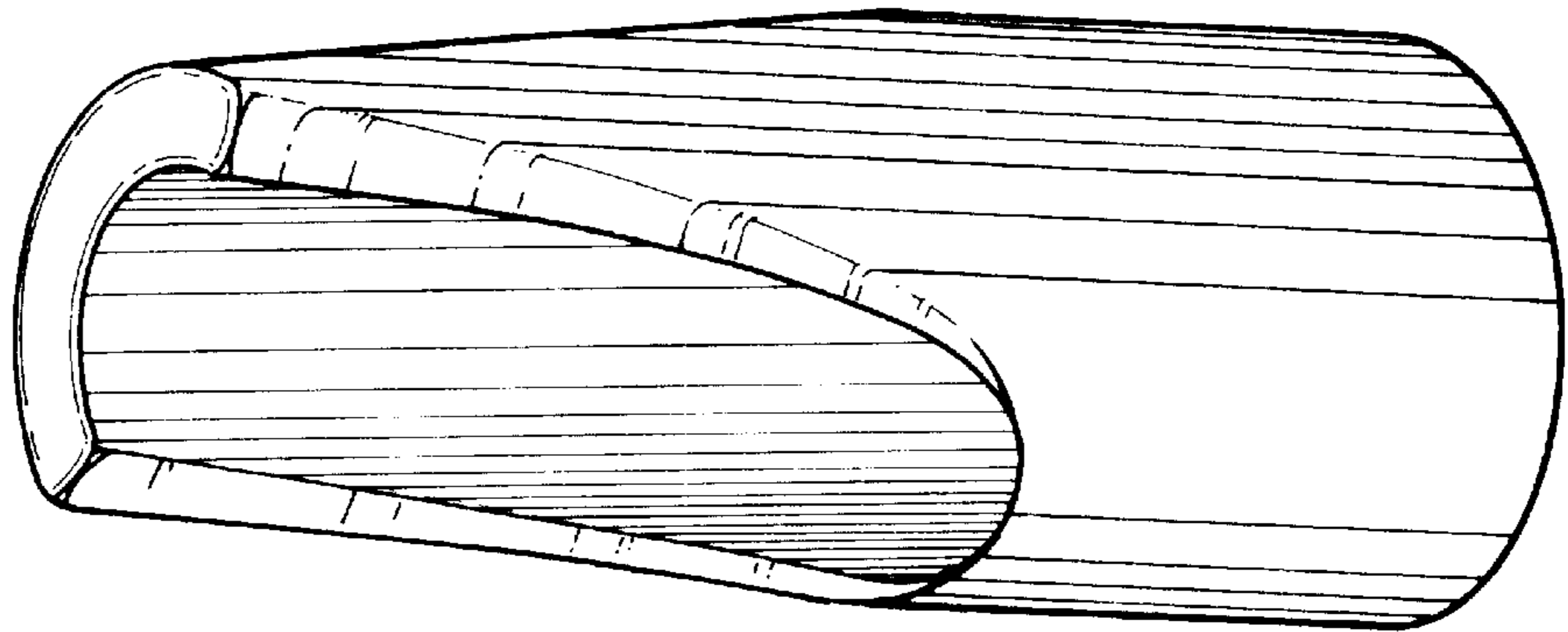


FIG 2

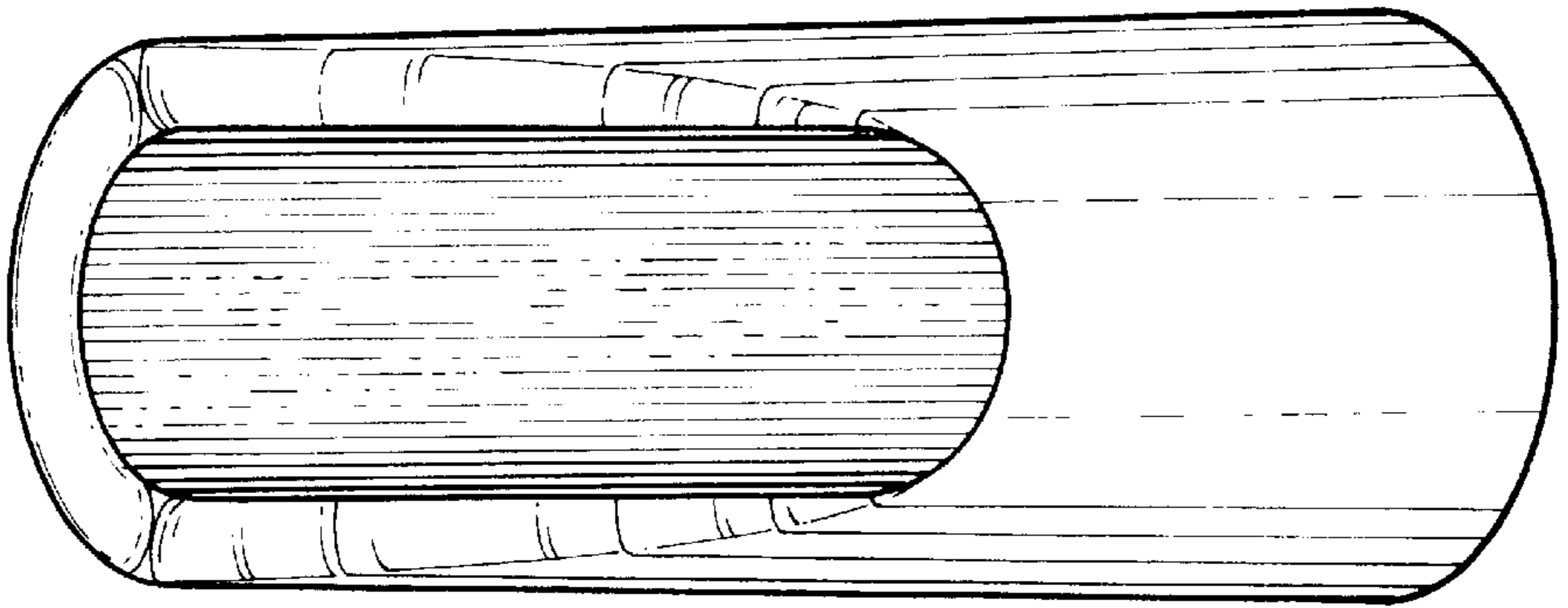


FIG 3

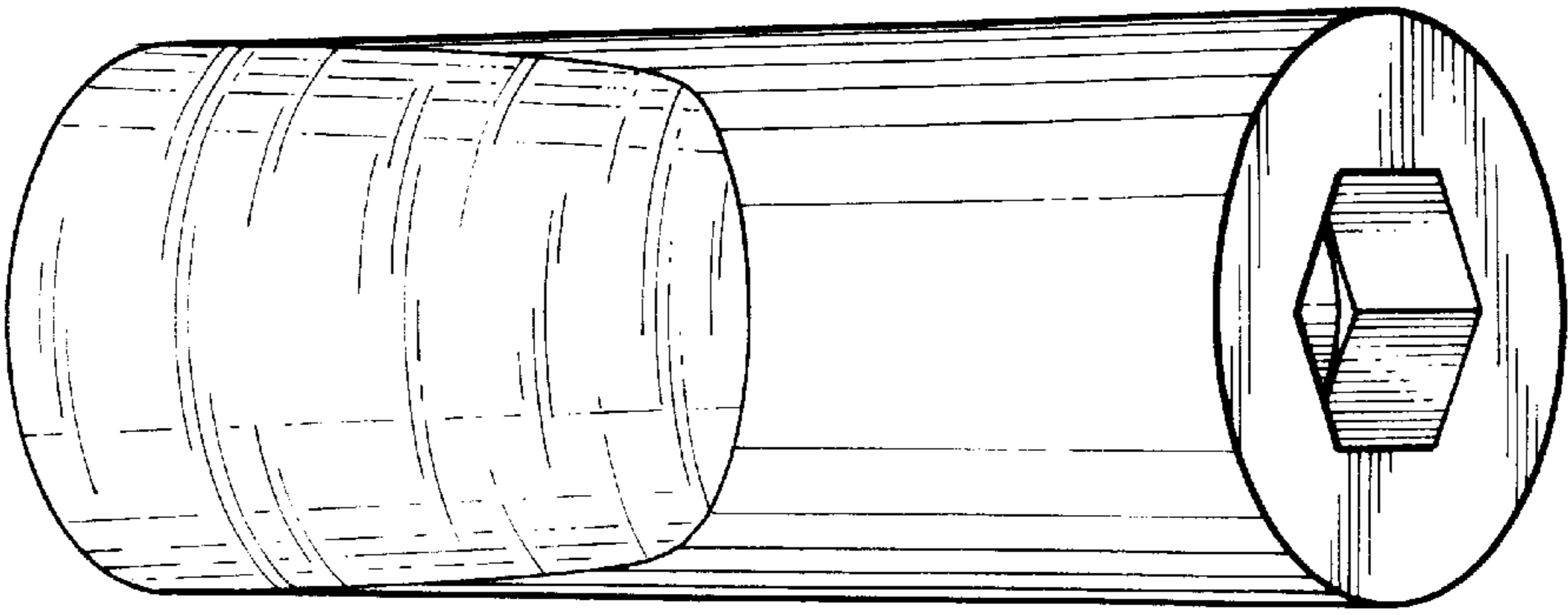


FIG 4

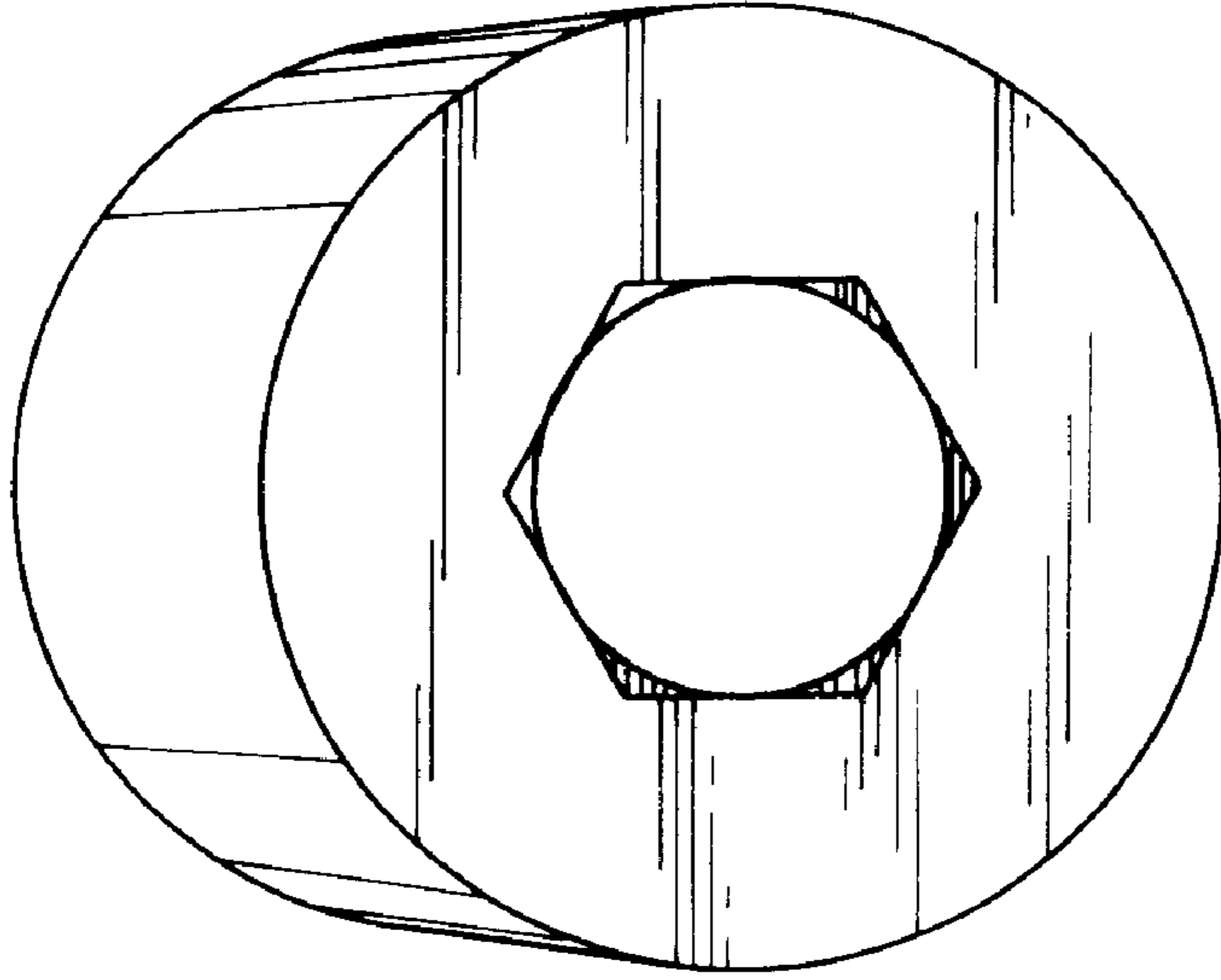


FIG 6

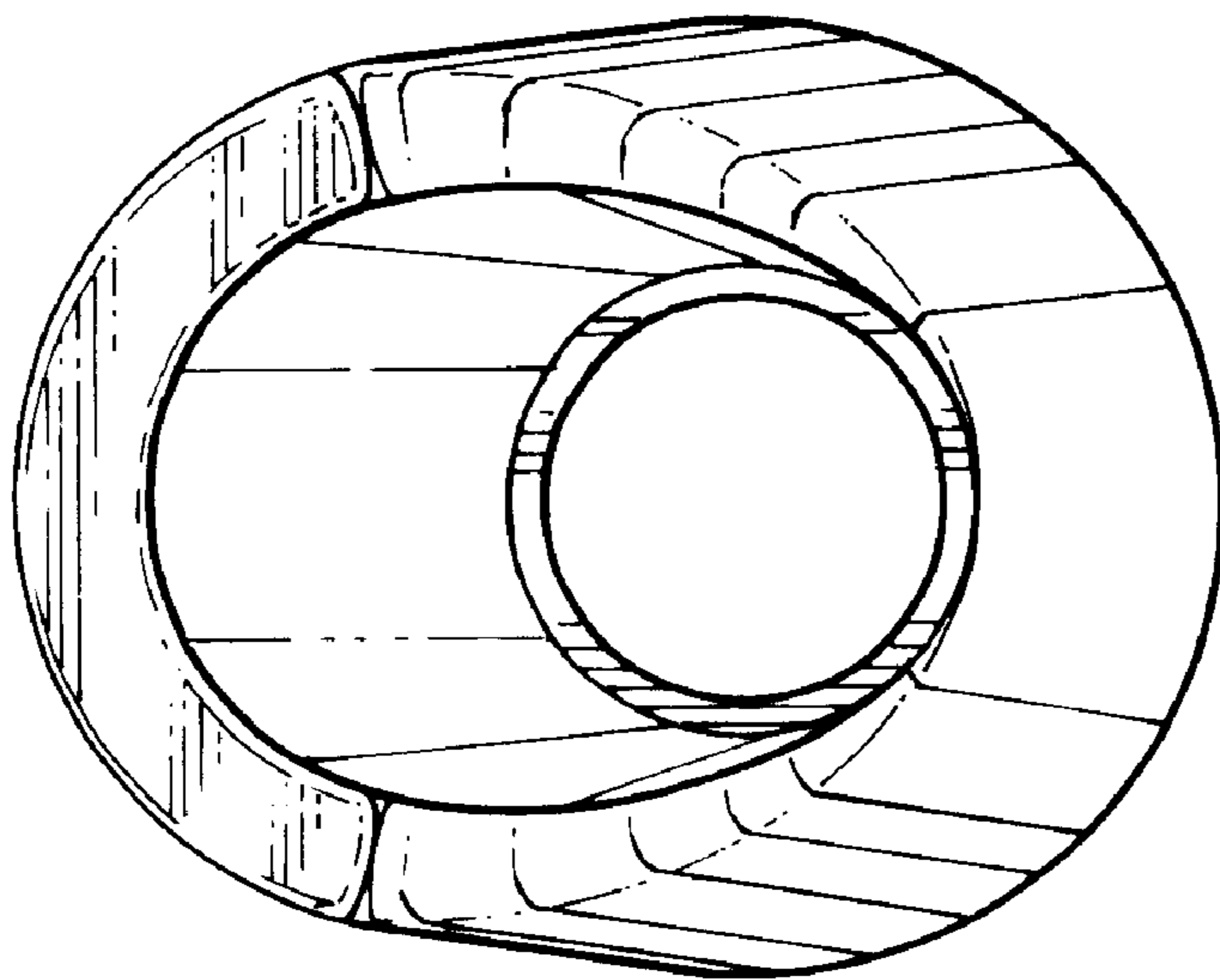


FIG 5

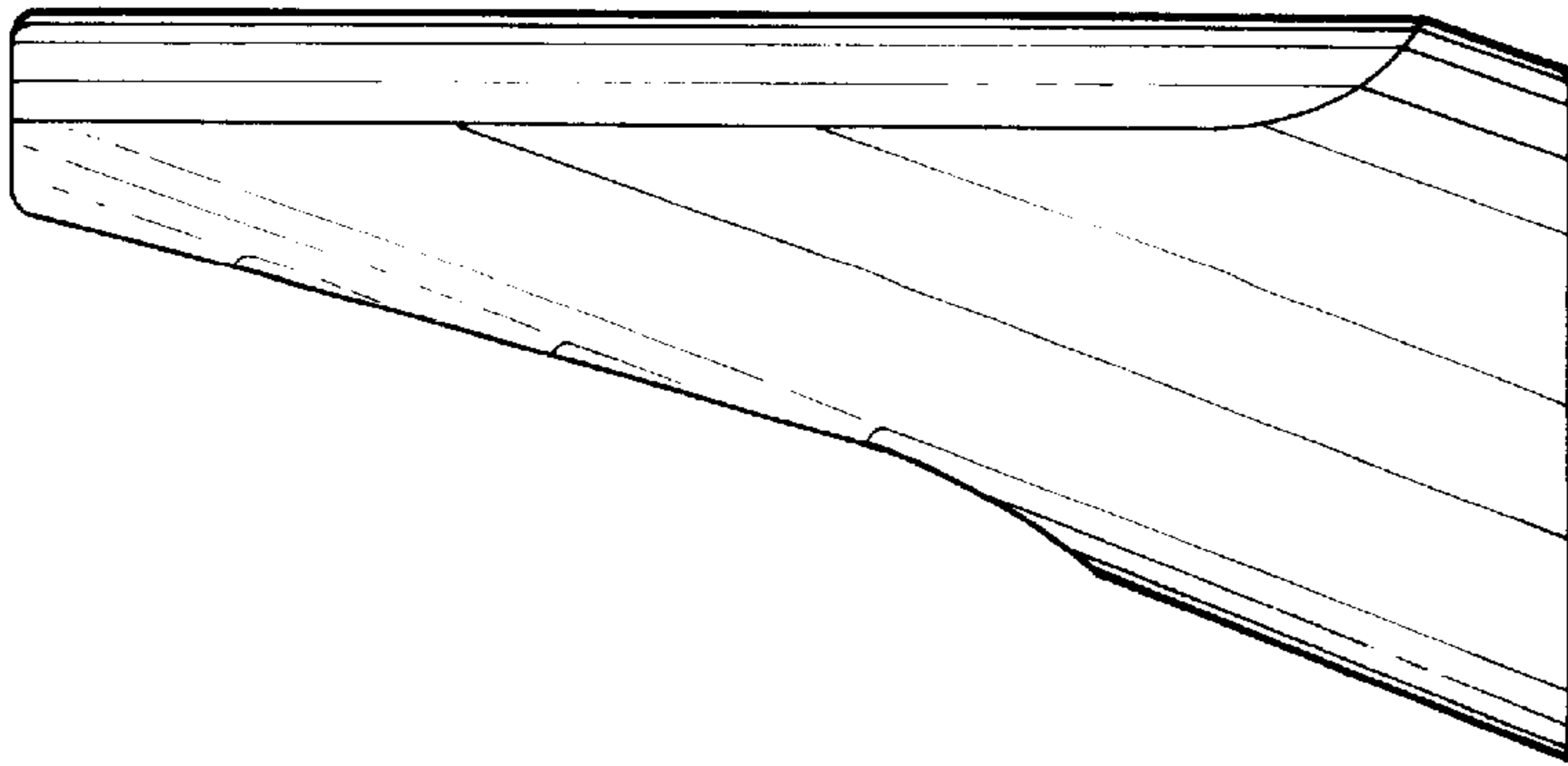


FIG 7

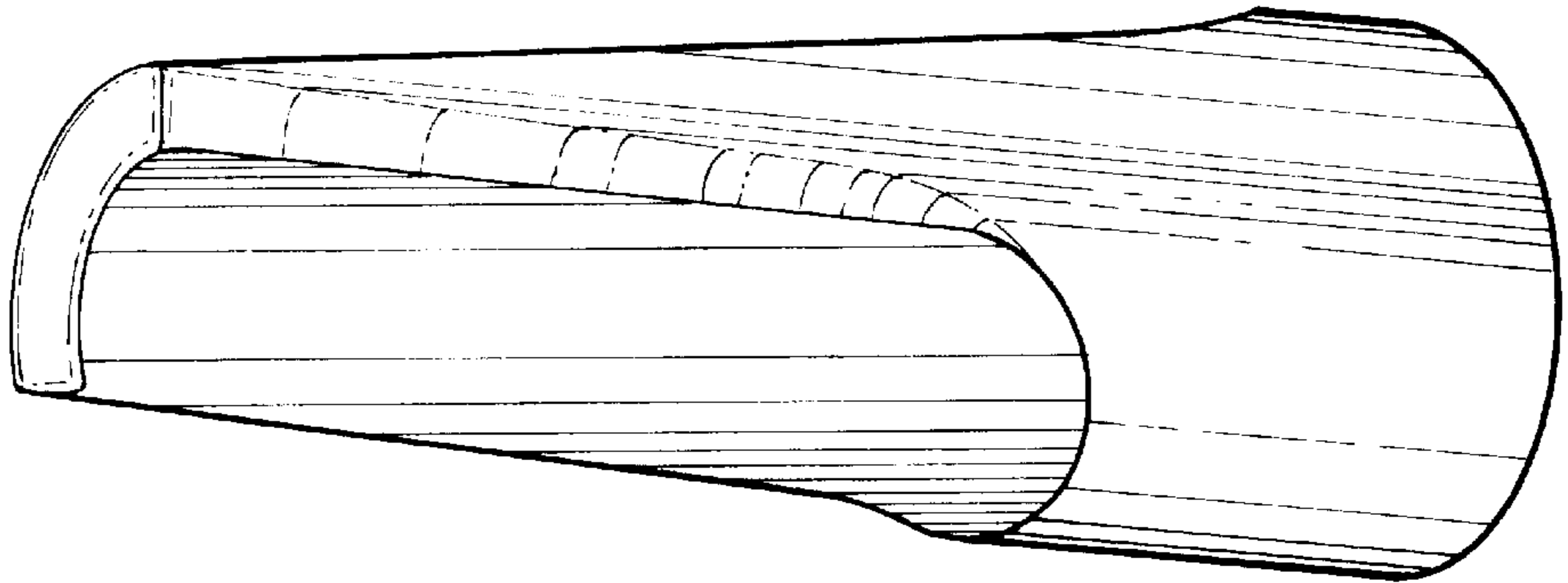


FIG 8

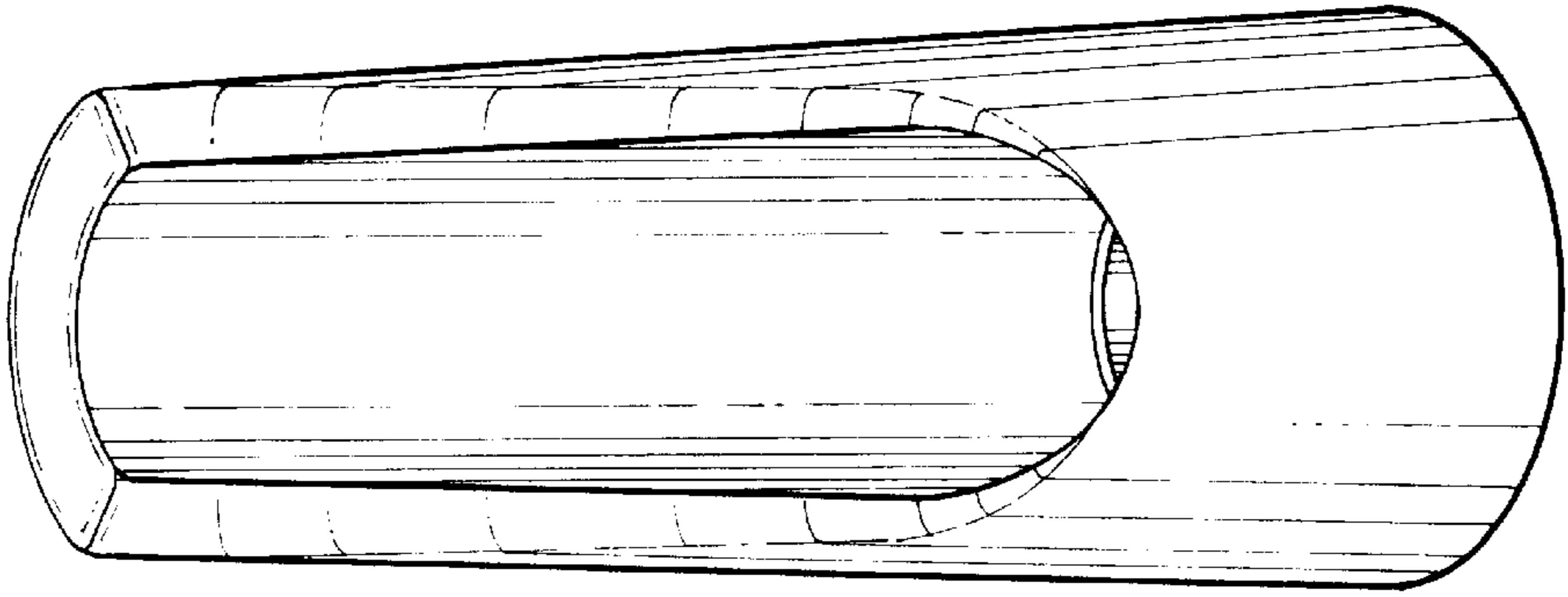


FIG 9

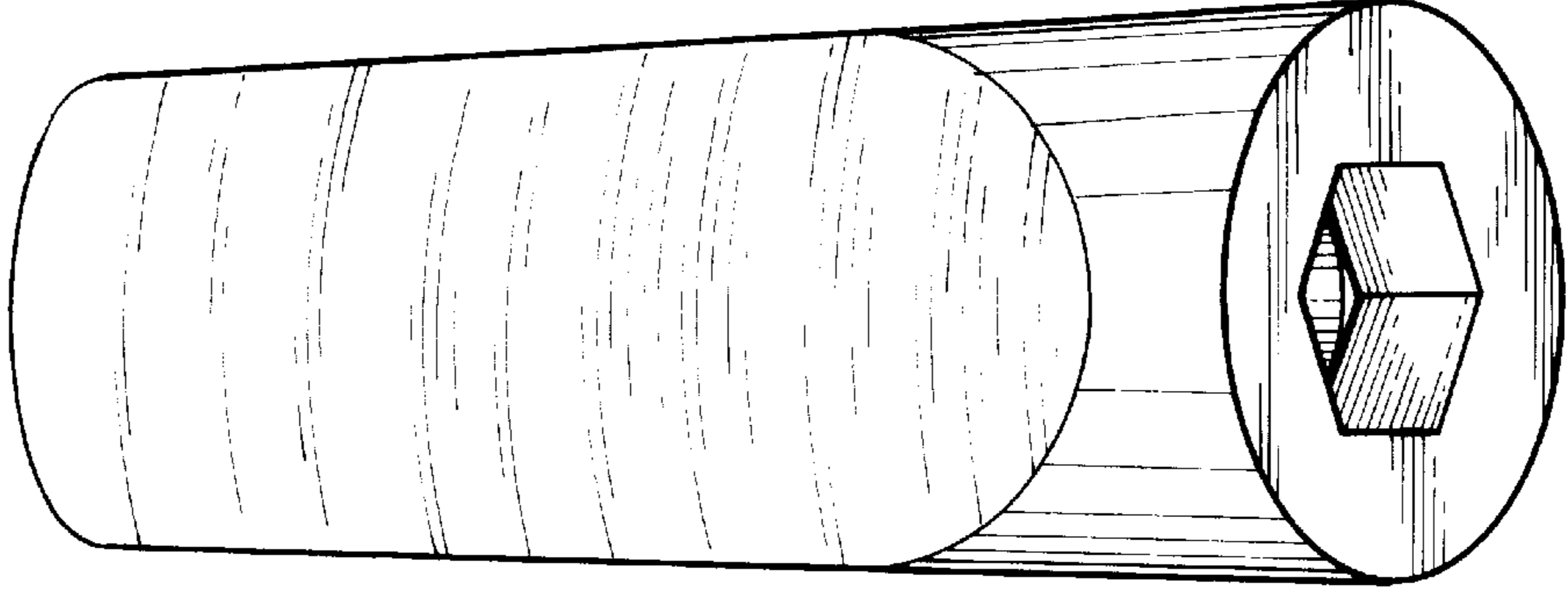


FIG 10

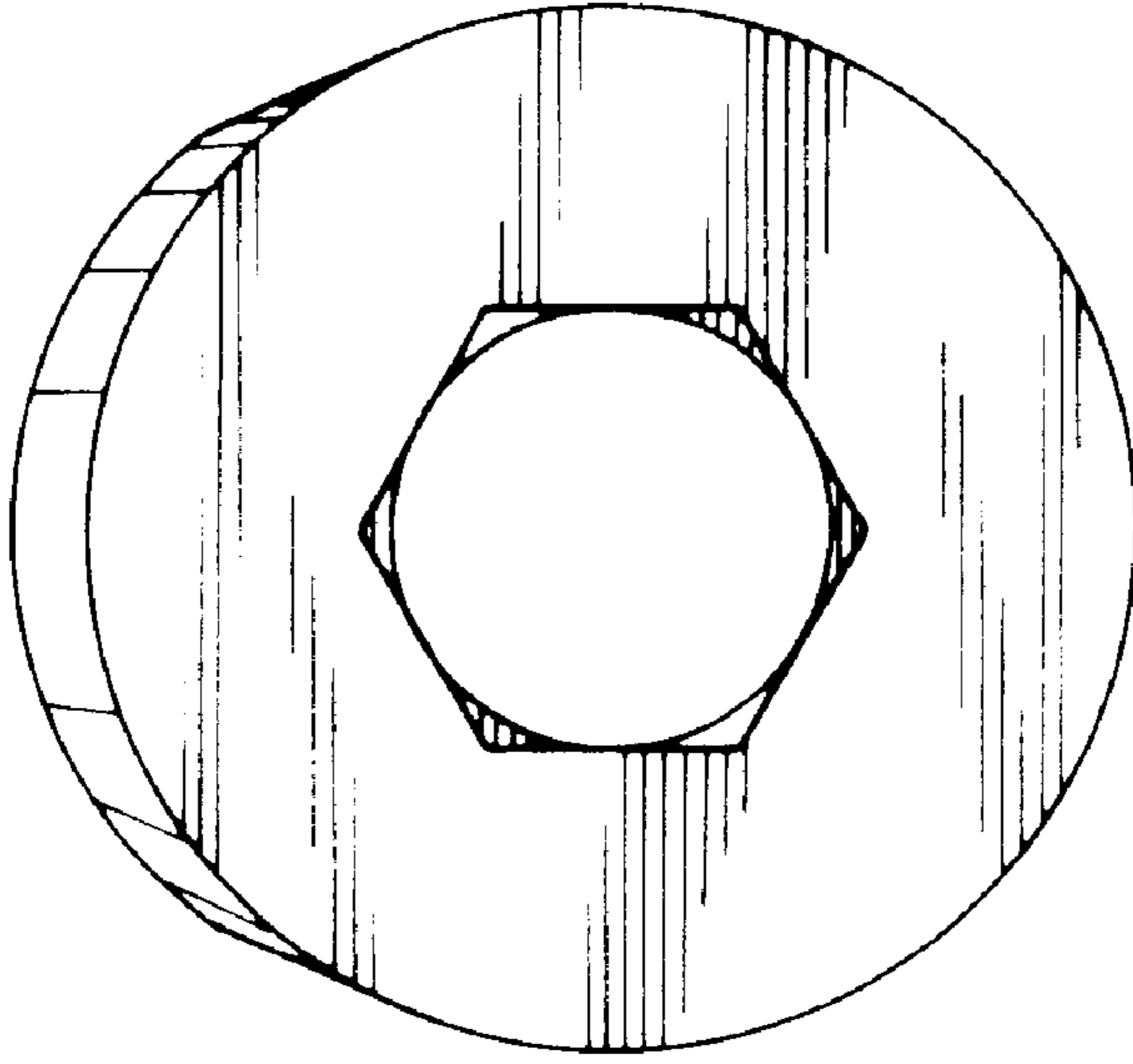


FIG 12

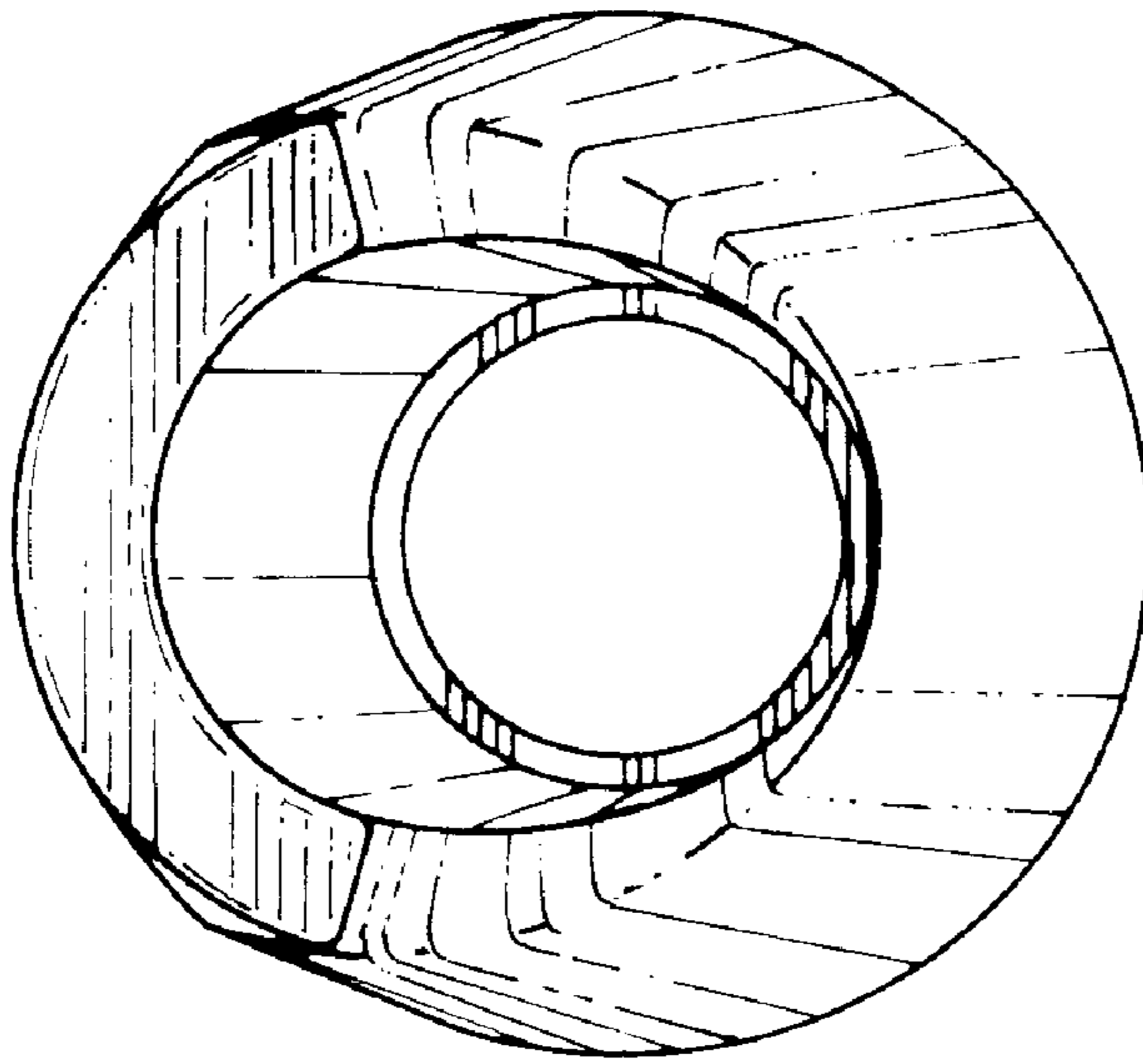


FIG 11

FIG 16

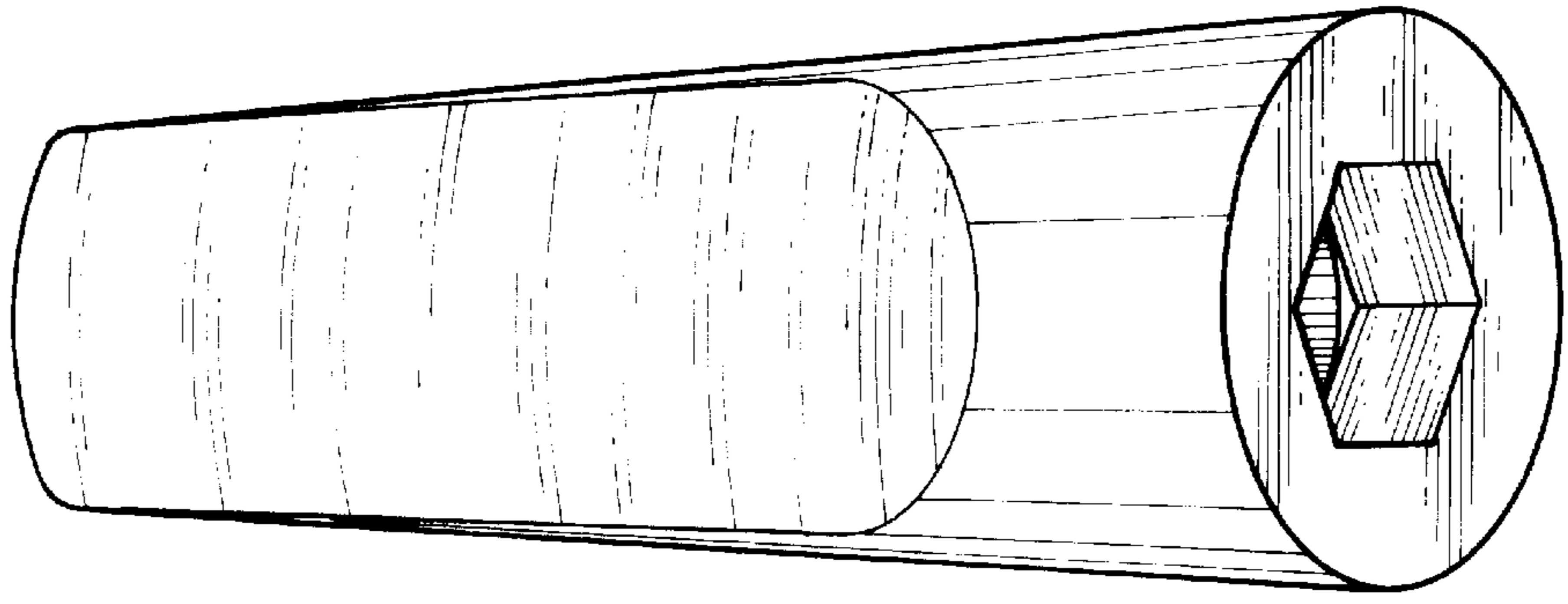


FIG 15

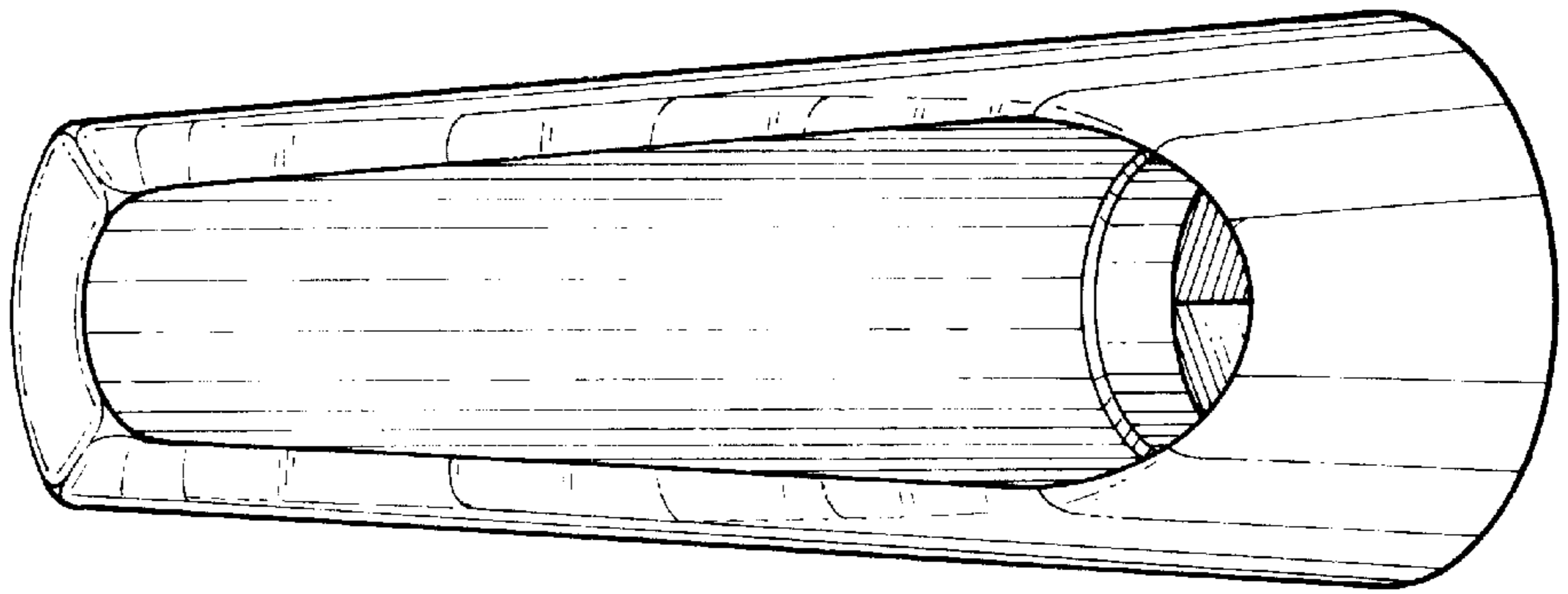


FIG 14

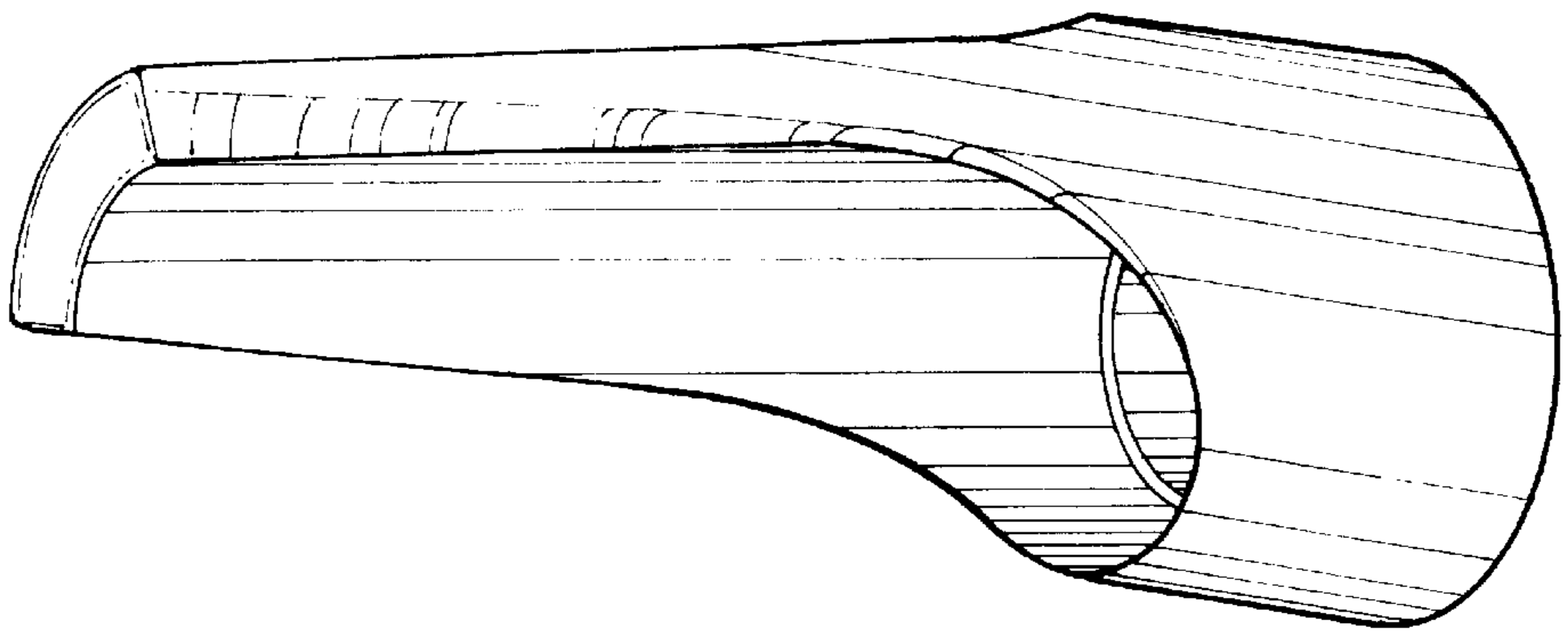
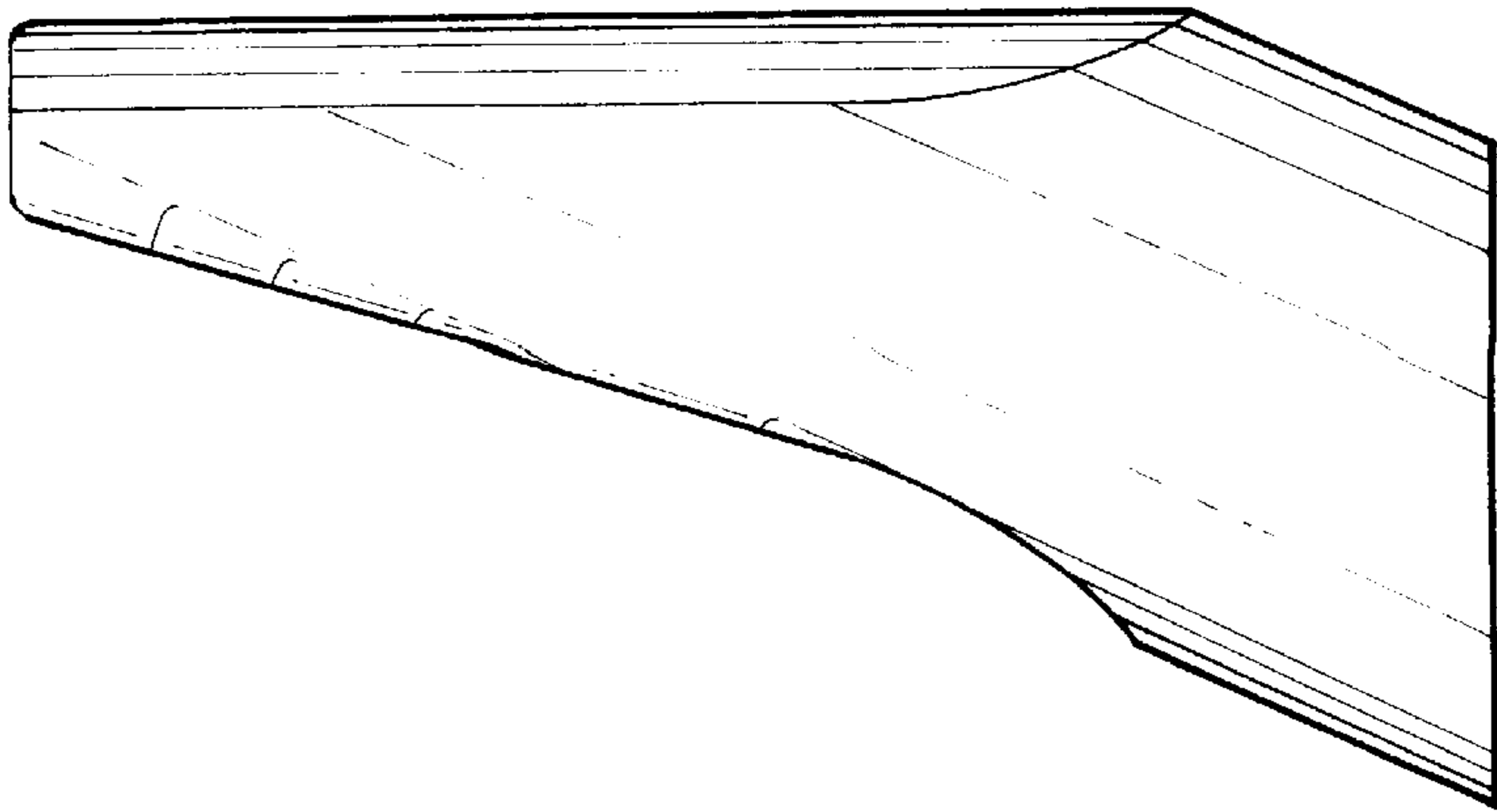


FIG 13



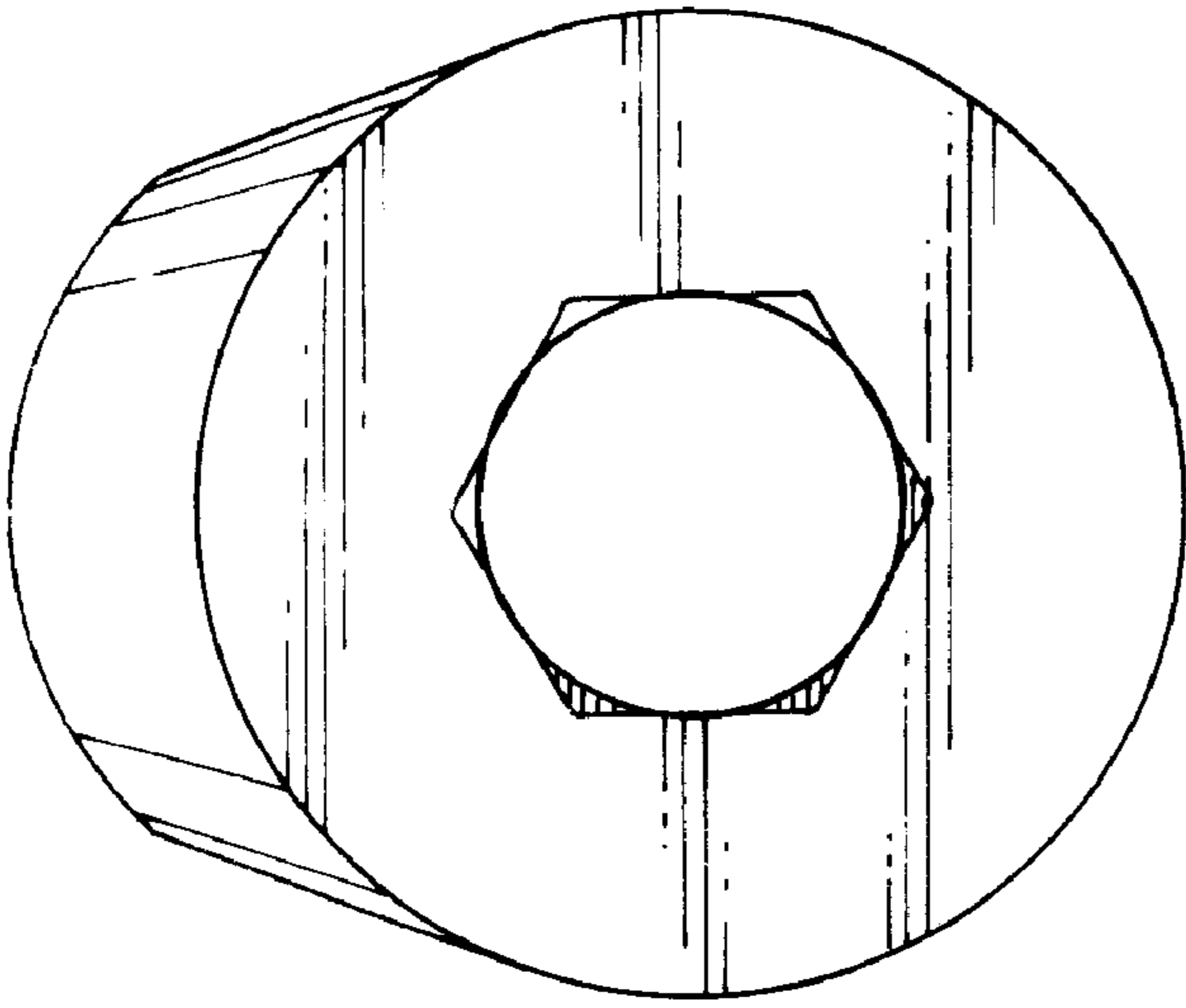


FIG 18

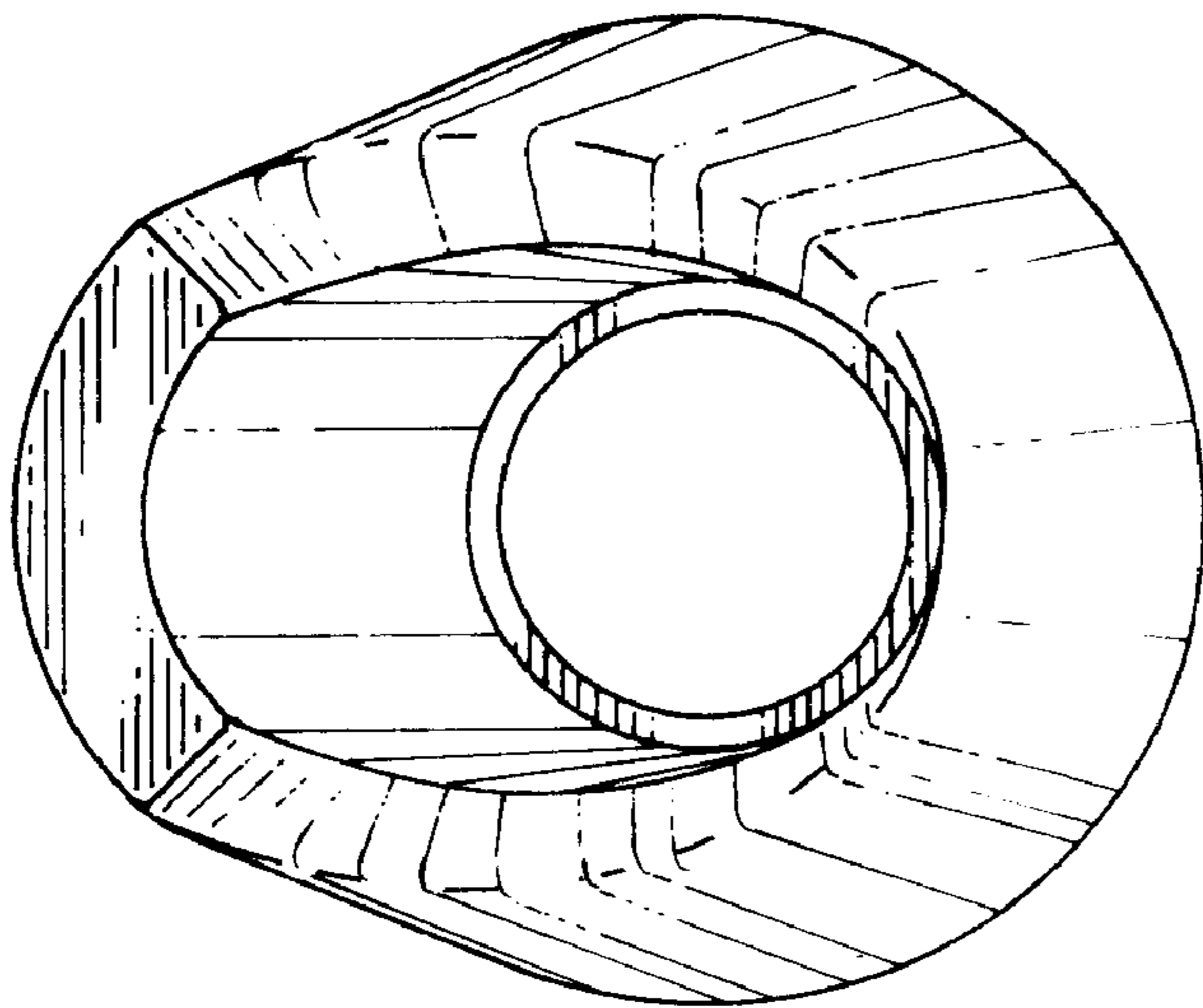


FIG 17