



US00D413378S

United States Patent [19]
Zuege

[11] **Patent Number: Des. 413,378**

[45] **Date of Patent: ** Aug. 31, 1999**

[54] **COMBINED CEILING FAN AND LIGHT
FIXTURE**

[75] Inventor: **Bradford C. Zuege**, Memphis, Tenn.

[73] Assignee: **Hunter Fan Company**, Memphis,
Tenn.

[**] Term: **14 Years**

[21] Appl. No.: **29/096,115**

[22] Filed: **Nov. 5, 1998**

[51] **LOC (6) Cl.** **23-04**

[52] **U.S. Cl.** **D23/377; D23/379; D23/385;**
D26/59

[58] **Field of Search** D23/377, 379,
D23/385, 411, 413; 416/5; 362/96; 392/364;
D26/59, 51, 81-86, 88, 72, 80

[56] **References Cited**

U.S. PATENT DOCUMENTS

- D. 325,776 4/1992 Scofield et al. D23/377
- D. 407,154 3/1999 Thomas D23/411

Primary Examiner—Lisa Lichtenstein
Attorney, Agent, or Firm—Garrison, Morris & Haight,
PLLC

[57] **CLAIM**

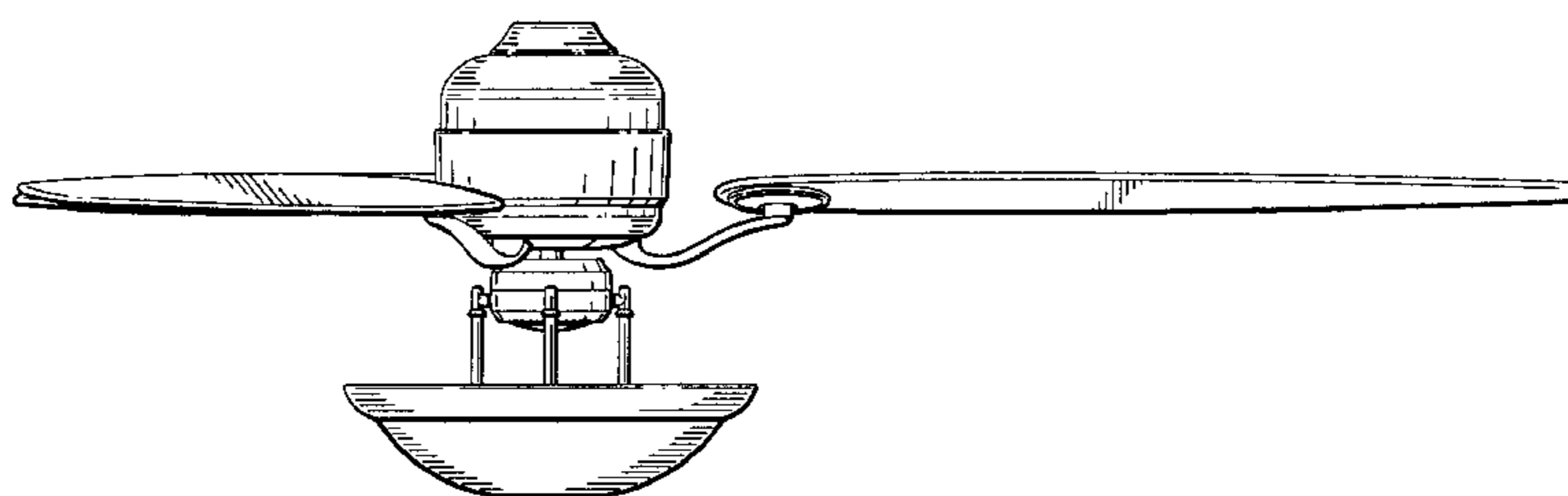
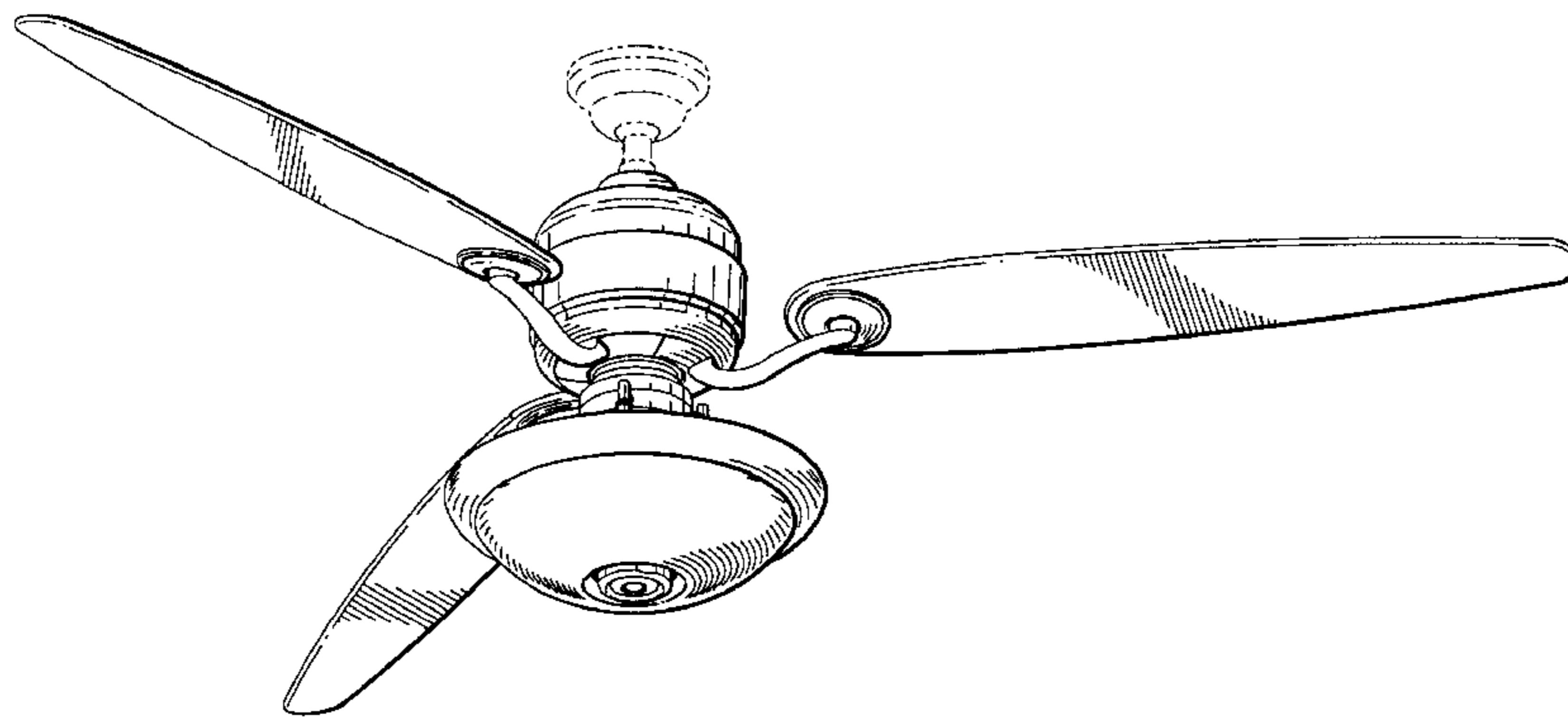
The ornamental design for a combined ceiling fan and light fixture, as shown and described.

DESCRIPTION

FIG. 1 is a perspective view of a combined ceiling fan and light fixture showing our new design;
 FIG. 2 is a perspective view of the design shown in FIG. 1 with the environmental structure removed therefrom;
 FIG. 3 is a front view of FIG. 2;
 FIG. 4 is a right-side view of FIG. 2;
 FIG. 5 is rear view of FIG. 2;
 FIG. 6 is a left-side view of FIG. 2;
 FIG. 7 is a top view of FIG. 2;
 FIG. 8 is a bottom view of FIG. 2;
 FIG. 9 is an enlarged perspective view of the design shown in FIG. 1 with the environmental structure removed therefrom and the included fan blades shown in fragmentary view; and,
 FIG. 10 is a bottom view of FIG. 9.

The broken line showing of environmental structure shown in FIG. 1 is for illustrative purposes only and forms no part of the claimed design.

1 Claim, 10 Drawing Sheets



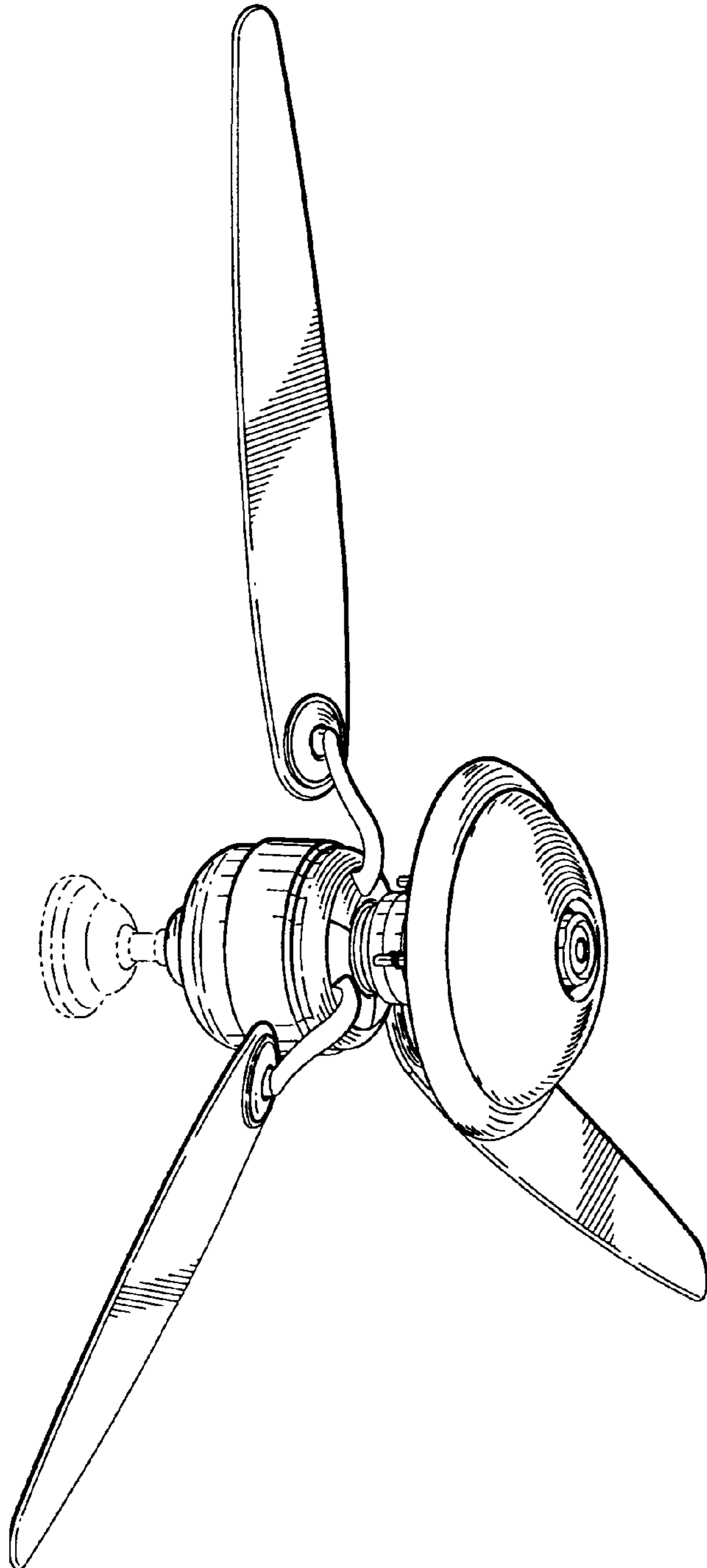


FIG 1

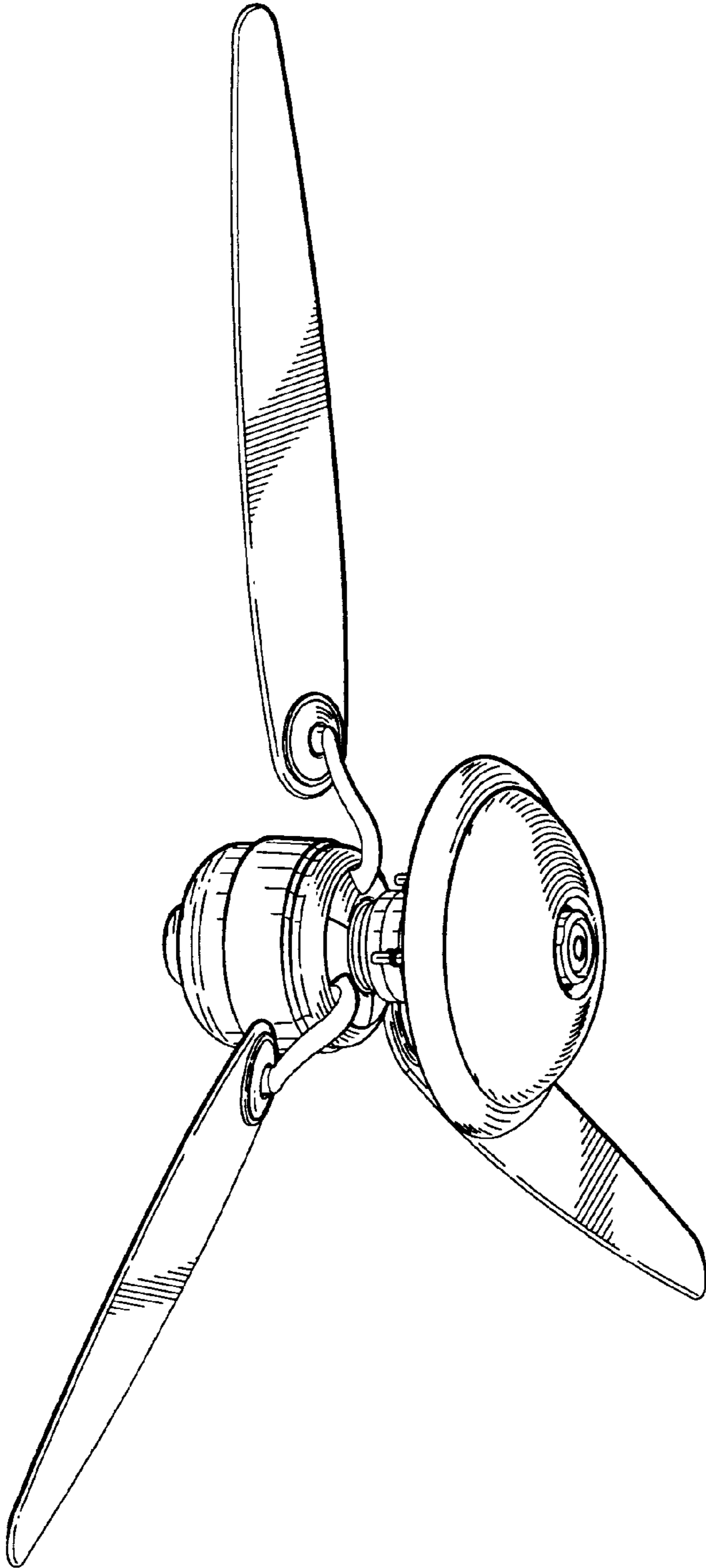


FIG 2

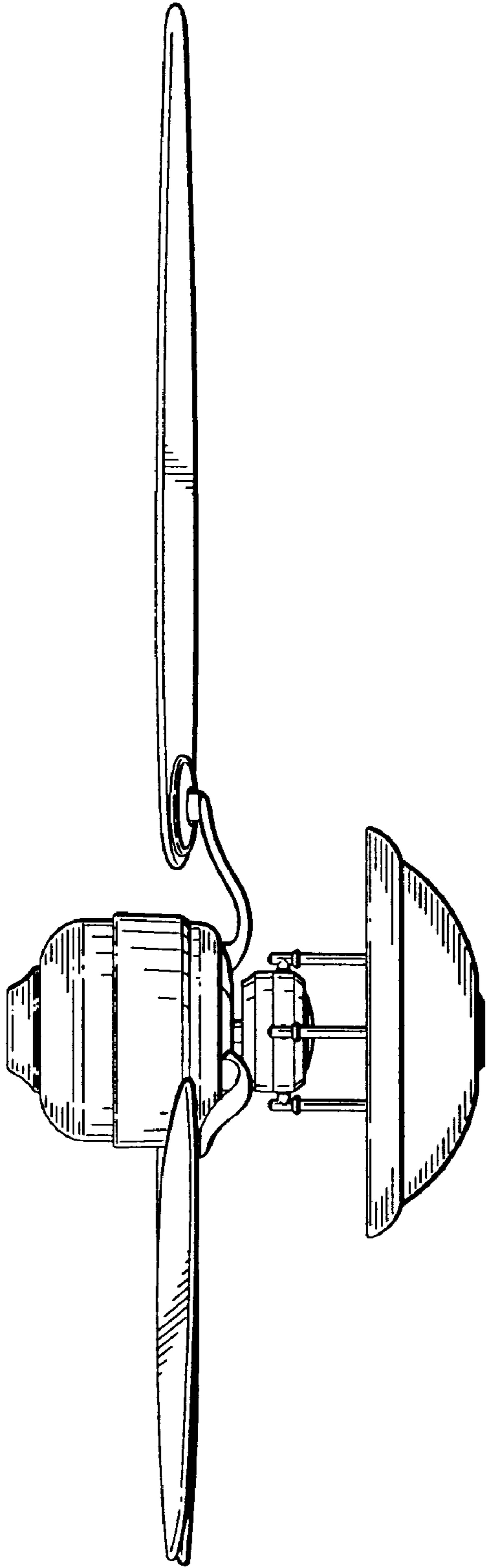


FIG 3

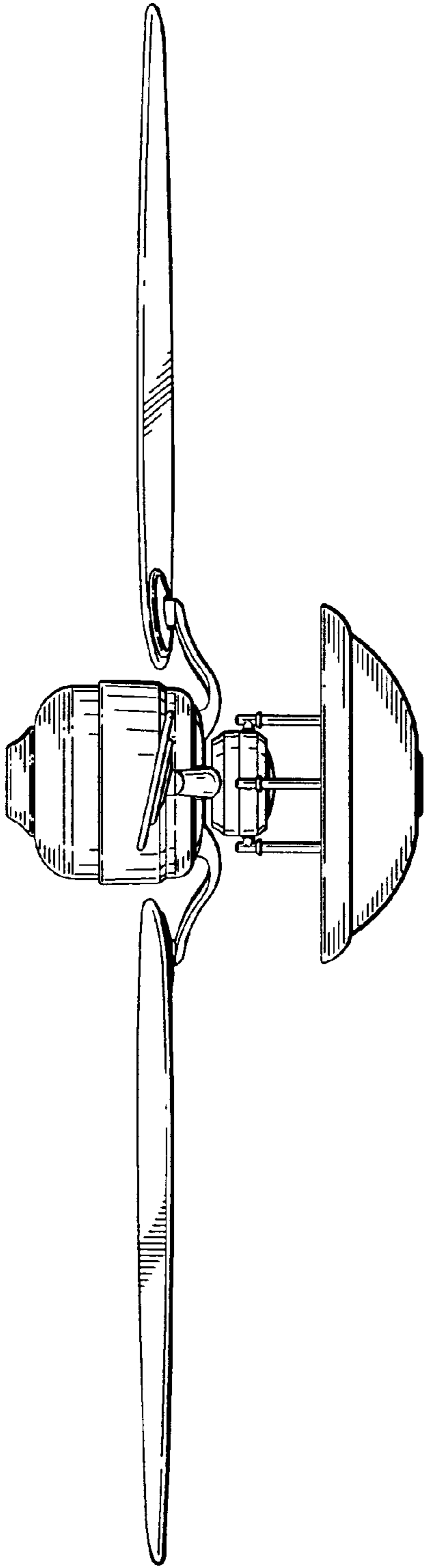


FIG 4

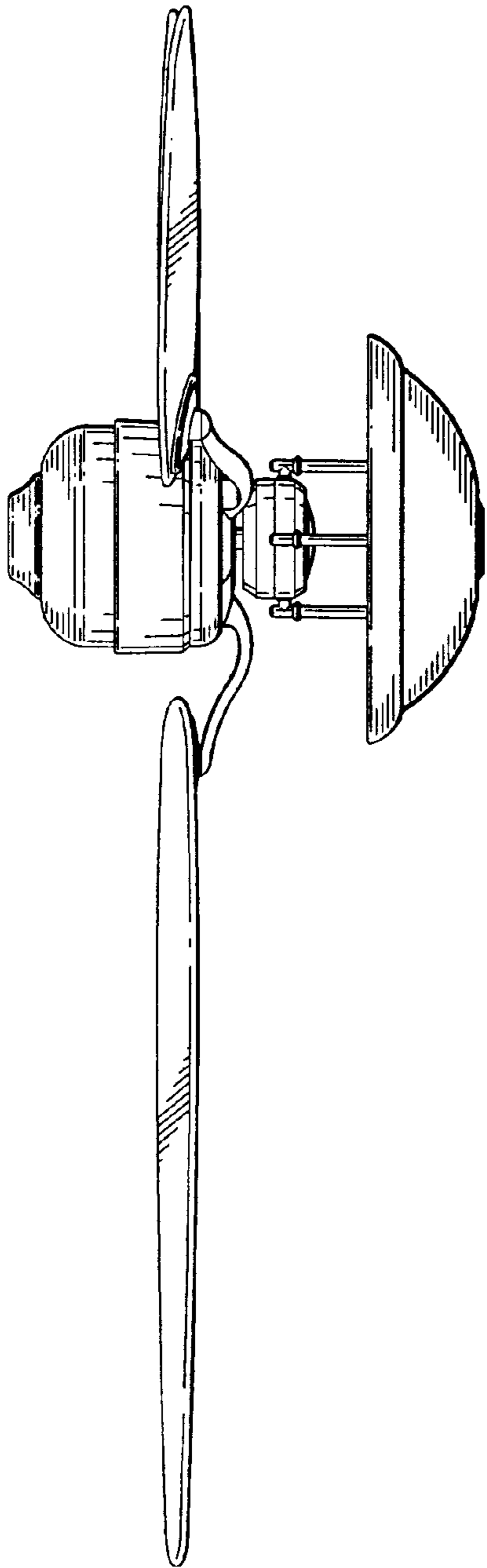


FIG 5

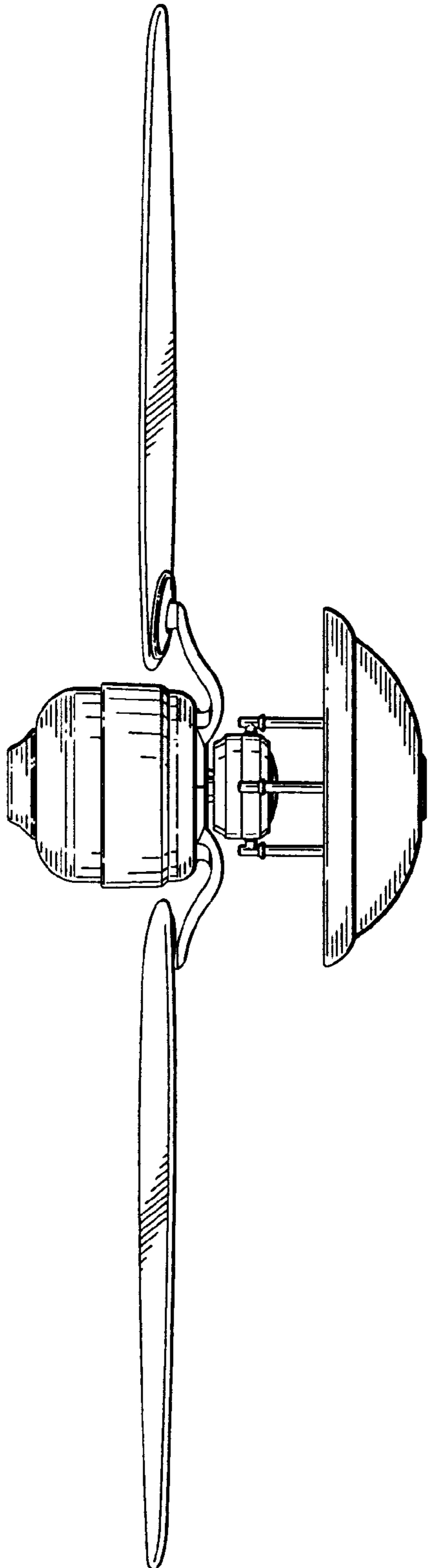


FIG 6

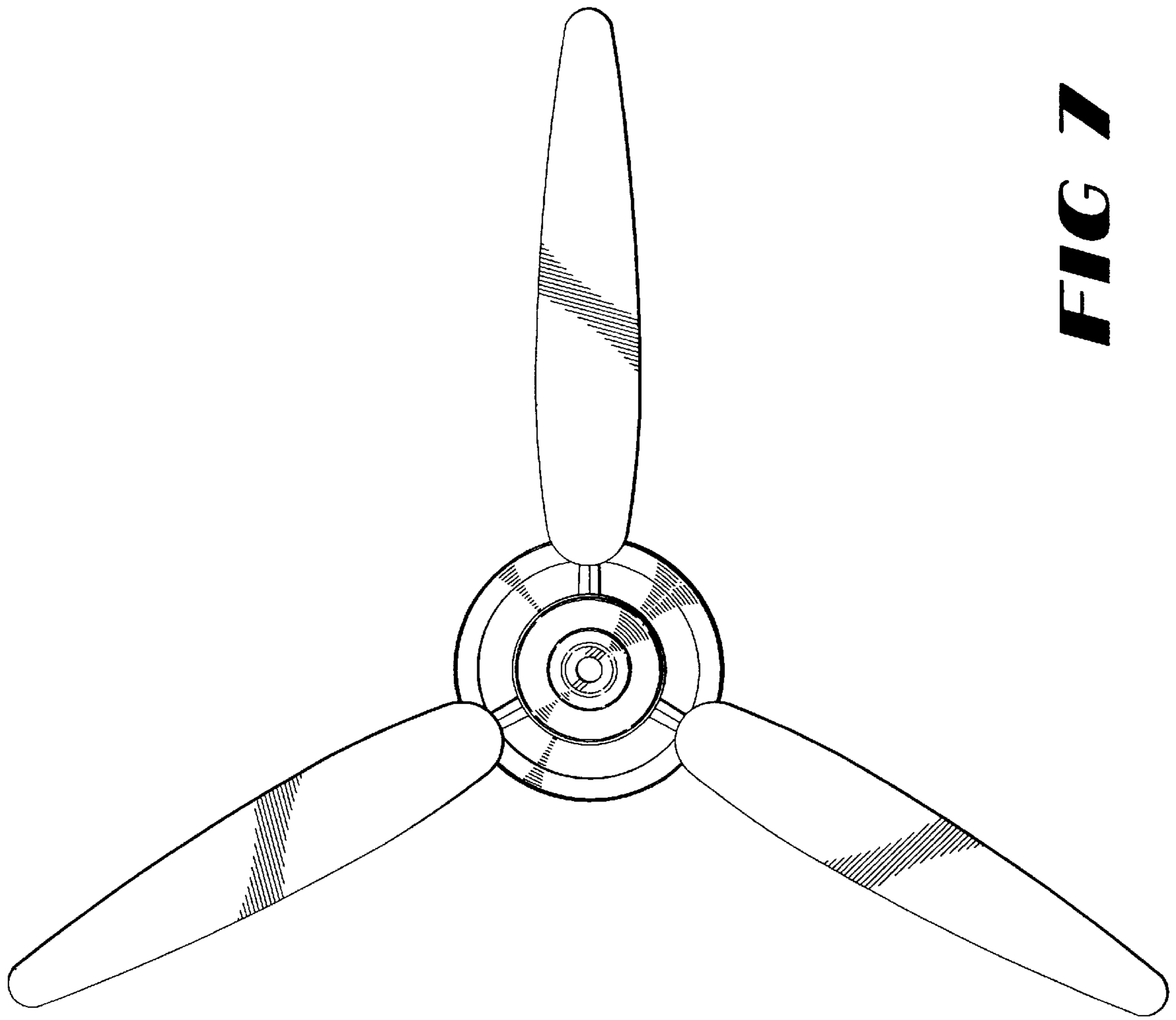


FIG 7

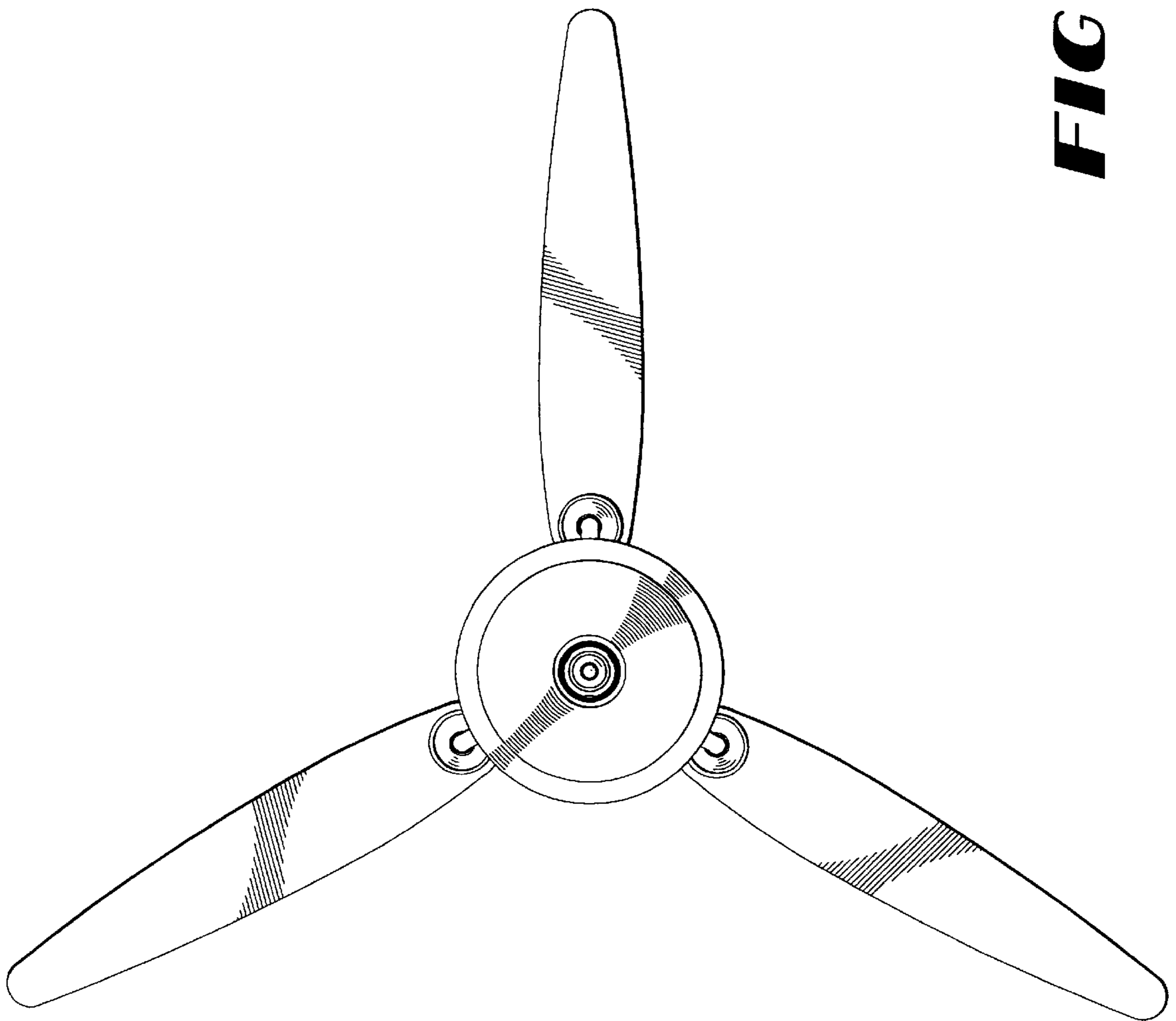


FIG 8

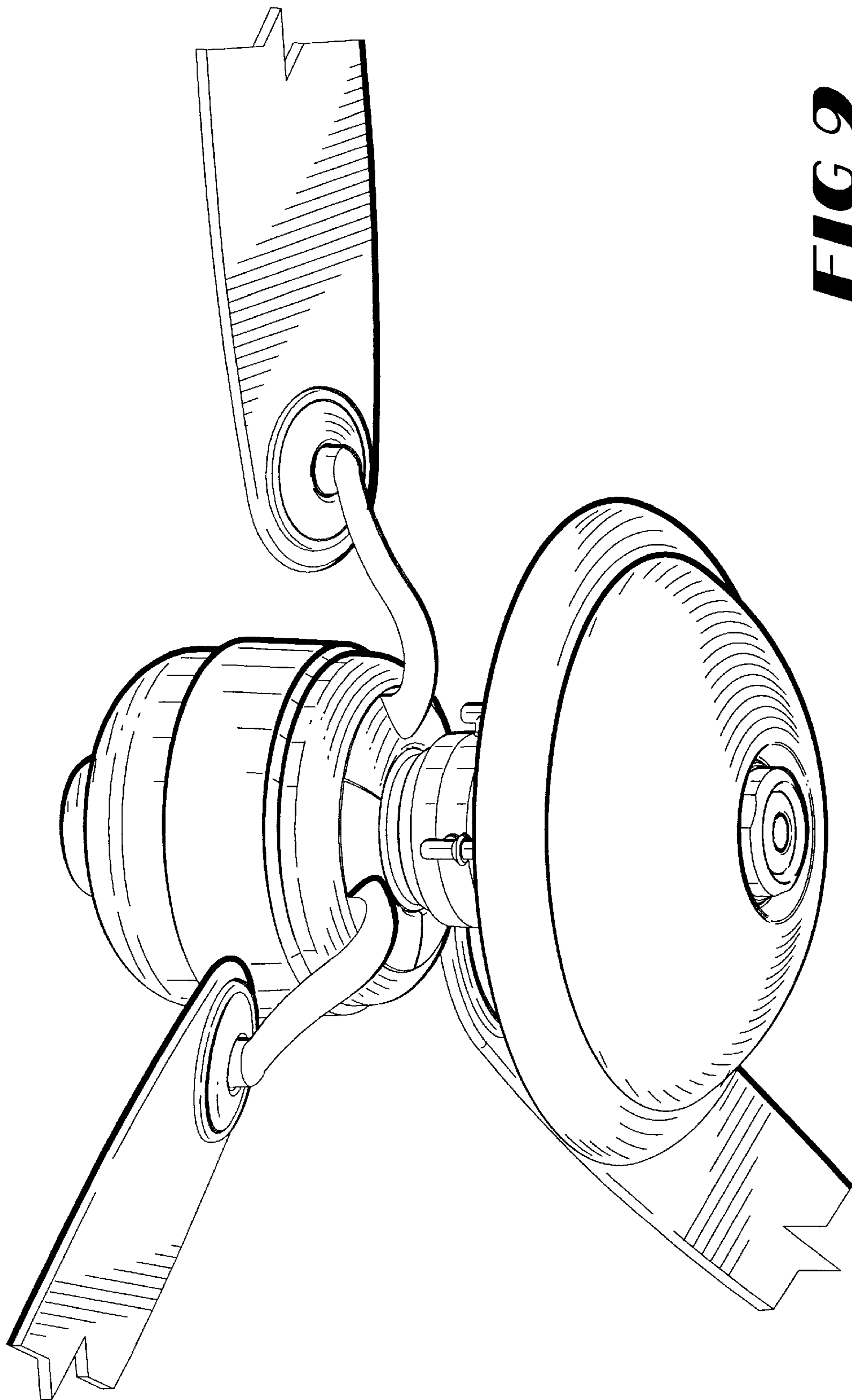


FIG 9

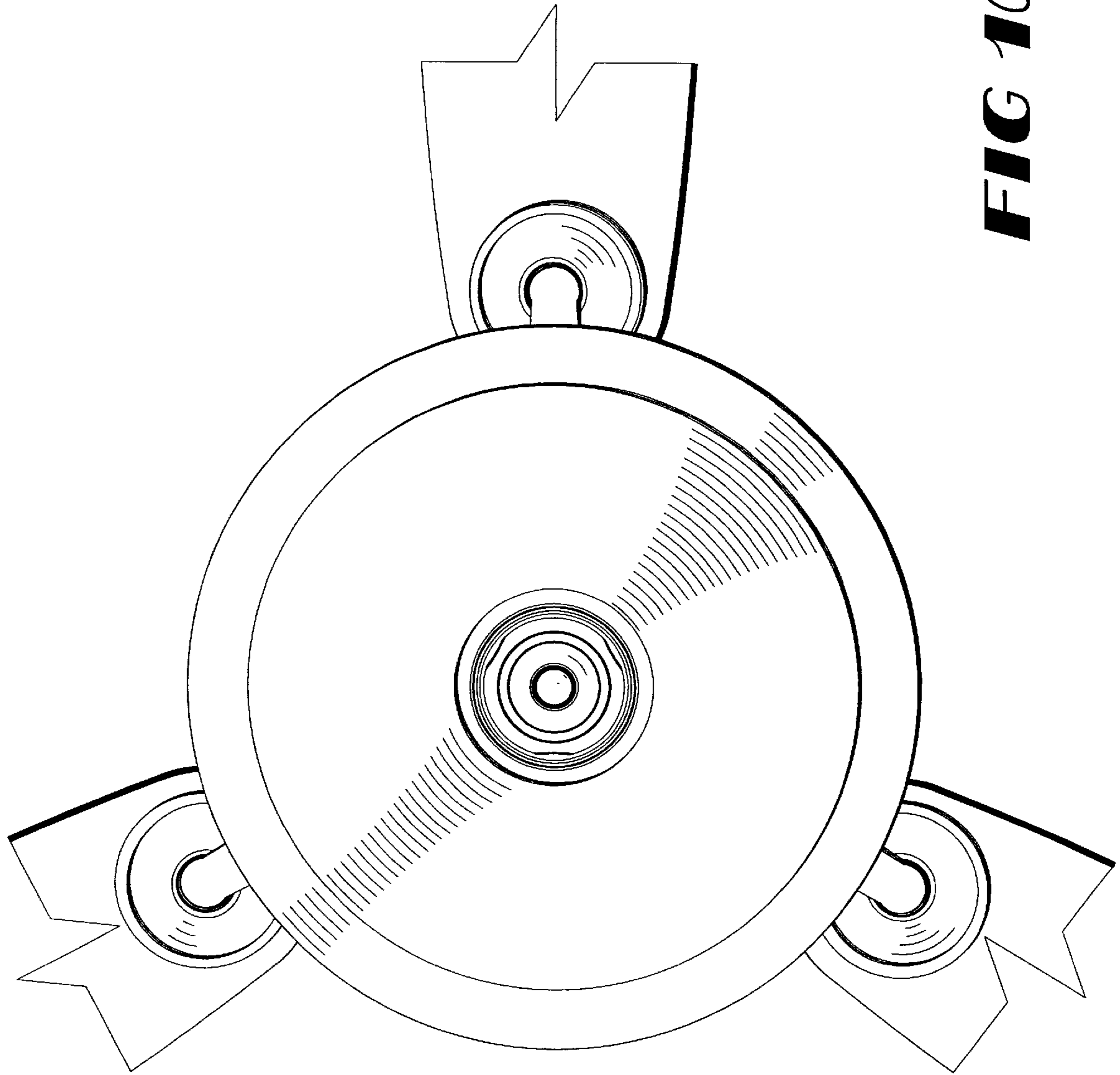


FIG 10