



US00D413377S

United States Patent [19] Pauly

[11] **Patent Number: Des. 413,377**

[45] **Date of Patent: ** Aug. 31, 1999**

[54] **FLOOR DRAIN FINISHED EXTENSION APPARATUS**

4,419,231 12/1983 Friedl 210/164
4,562,602 1/1986 Cuschera 4/288
5,372,715 12/1994 Maggard et al. 210/165

[76] Inventor: **Vern Pauly**, 25051 Indian Ave., New Prague, Minn. 56071

Primary Examiner—Alan P. Douglas
Assistant Examiner—Reid Hecker

[**] Term: **14 Years**

[57] **CLAIM**

[21] Appl. No.: **29/060,420**

The ornamental design for a floor drain finished extension apparatus, as shown.

[22] Filed: **Sep. 27, 1996**

DESCRIPTION

[51] **LOC (6) Cl.** **23-01**

[52] **U.S. Cl.** **D23/261**

[58] **Field of Search** D25/113-115,
D25/118, 119, 121, 122, 124, 142-144;
D23/260, 261; D5/8, 20, 54, 58, 60, 61;
D7/667; D32/56; 4/286-292, 650, 679,
507, 510; 404/2, 4; 312/229; 210/463, 464,
459, 163, 164; D26/118

FIG. 1 is a top perspective view of the floor drain finished extension apparatus of the present invention;
FIG. 2 is a rear plan view of the floor drain finished extension apparatus of FIG. 1;
FIG. 3 is a left side plan view of the floor drain finished extension apparatus of FIG. 1;
FIG. 4 is a right side plan view of the floor drain finished extension apparatus of FIG. 1;
FIG. 5 is a top plan view of the floor drain finished extension apparatus of FIG. 1; and,
FIG. 6 is a bottom plan view of the floor drain finished extension apparatus of FIG. 1.

[56] **References Cited**

U.S. PATENT DOCUMENTS

D. 370,716 6/1996 Menzies D23/261
885,786 4/1908 Prinz 210/422
3,771,177 11/1973 Rogers et al. 4/287

1 Claim, 4 Drawing Sheets

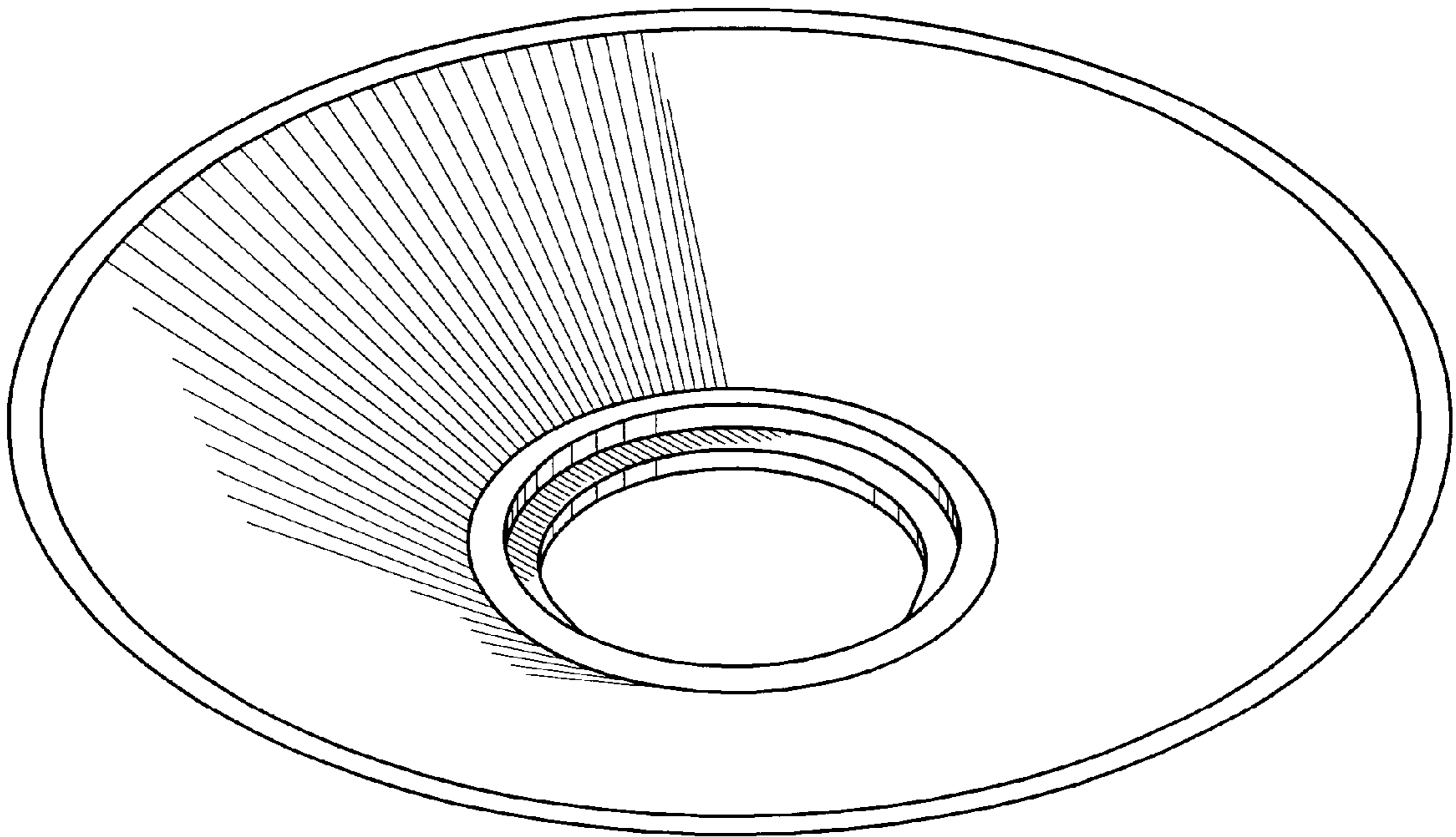


FIG. 1

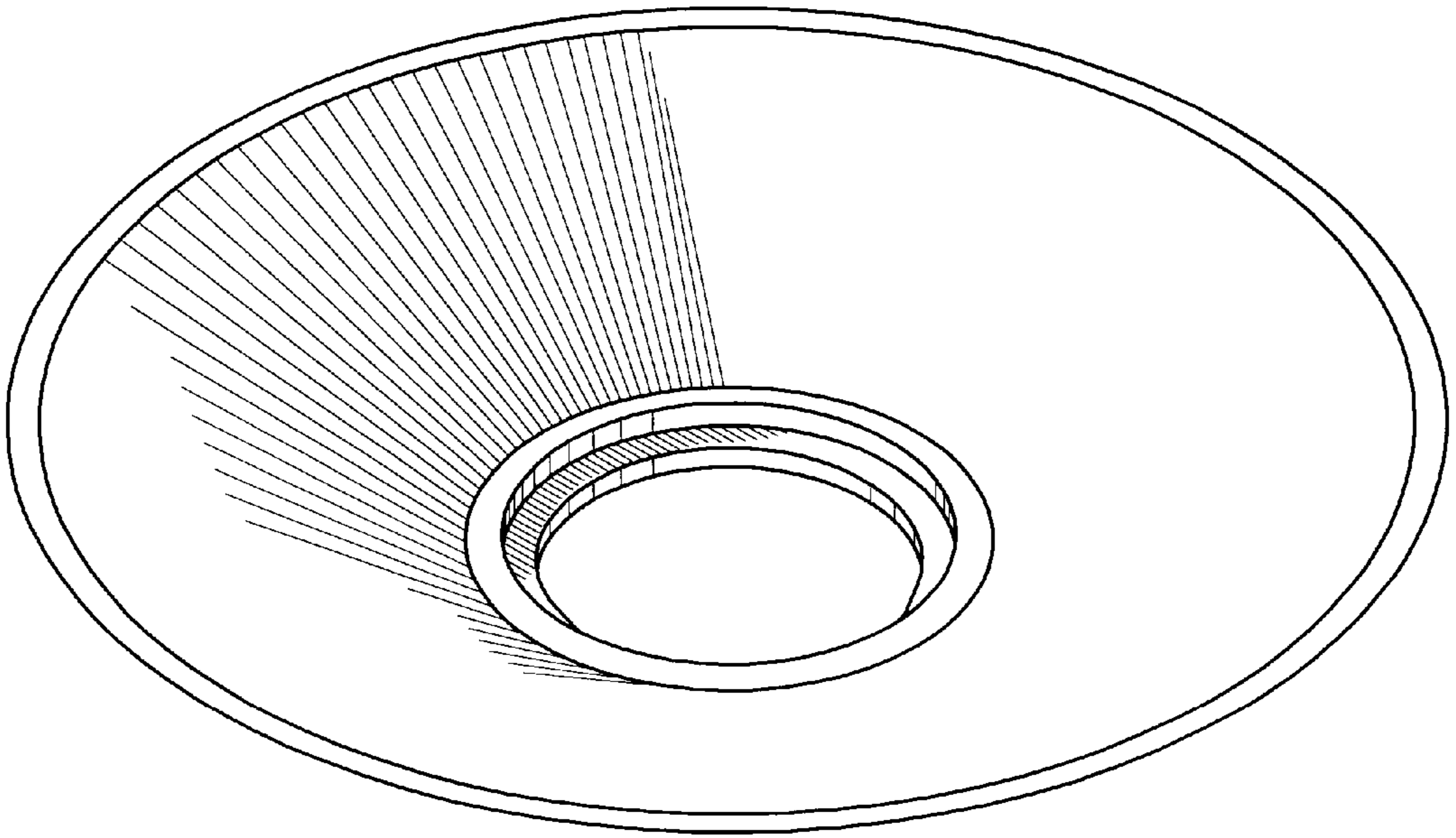


FIG. 2



FIG. 3

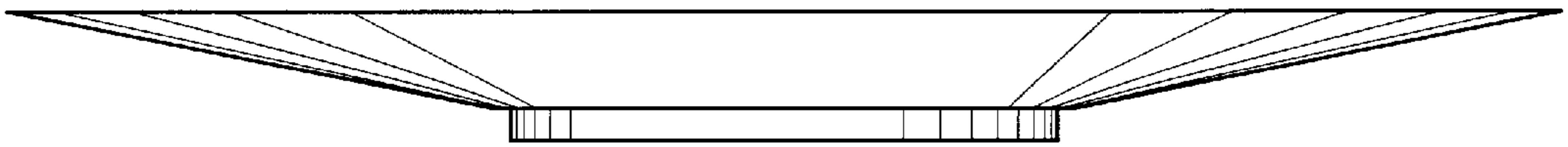


FIG. 4

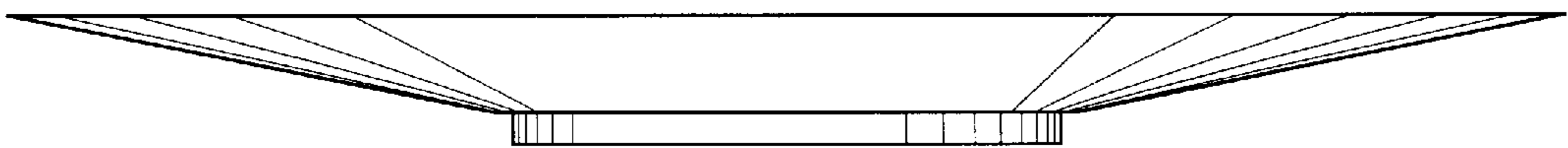


FIG. 5

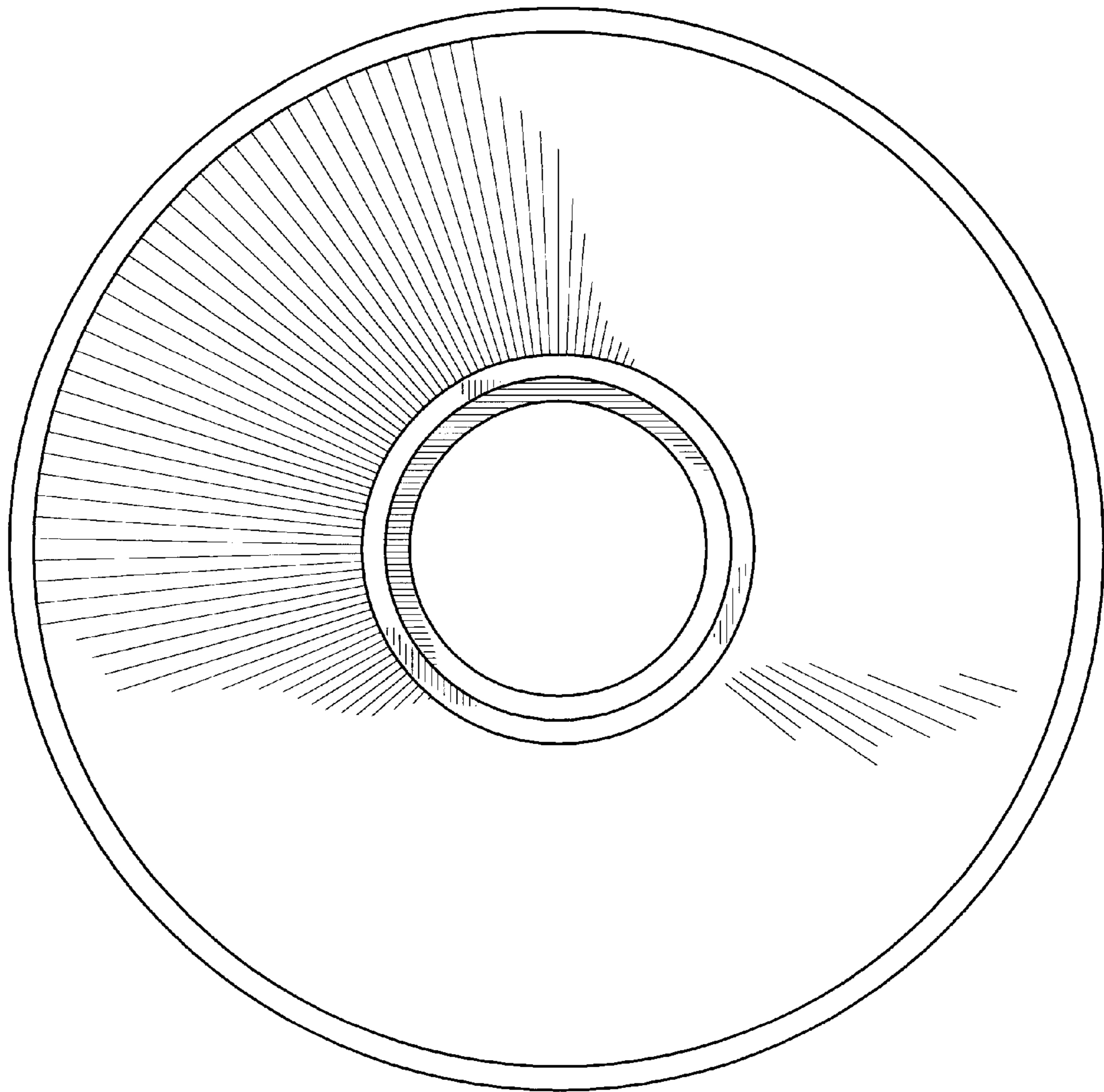


FIG. 6

