



US00D413371S

**United States Patent** [19]  
**Douglas**

[11] **Patent Number: Des. 413,371**

[45] **Date of Patent: \*\* Aug. 31, 1999**

[54] **COMBINED SHOWERHEAD AND FILTER**

[76] Inventor: **John H. Douglas**, 14001 63rd Way,  
Clearwater, Fla. 34620

[\*\*] Term: **14 Years**

[21] Appl. No.: **29/093,719**

[22] Filed: **Sep. 17, 1998**

[51] **LOC (6) Cl.** ..... **23-01**

[52] **U.S. Cl.** ..... **D23/209; D23/228**

[58] **Field of Search** ..... **D23/200, 228,**  
**D23/207, 209; 210/198.1, 448, 460**

[56] **References Cited**

**U.S. PATENT DOCUMENTS**

D. 316,136	4/1991	Underwood	.....	D23/228
D. 348,921	7/1994	Strand et al.	.....	D23/228
5,545,314	8/1996	Parise et al.	.....	210/460

*Primary Examiner*—Robin V. Taylor  
*Attorney, Agent, or Firm*—M. K. Silverman

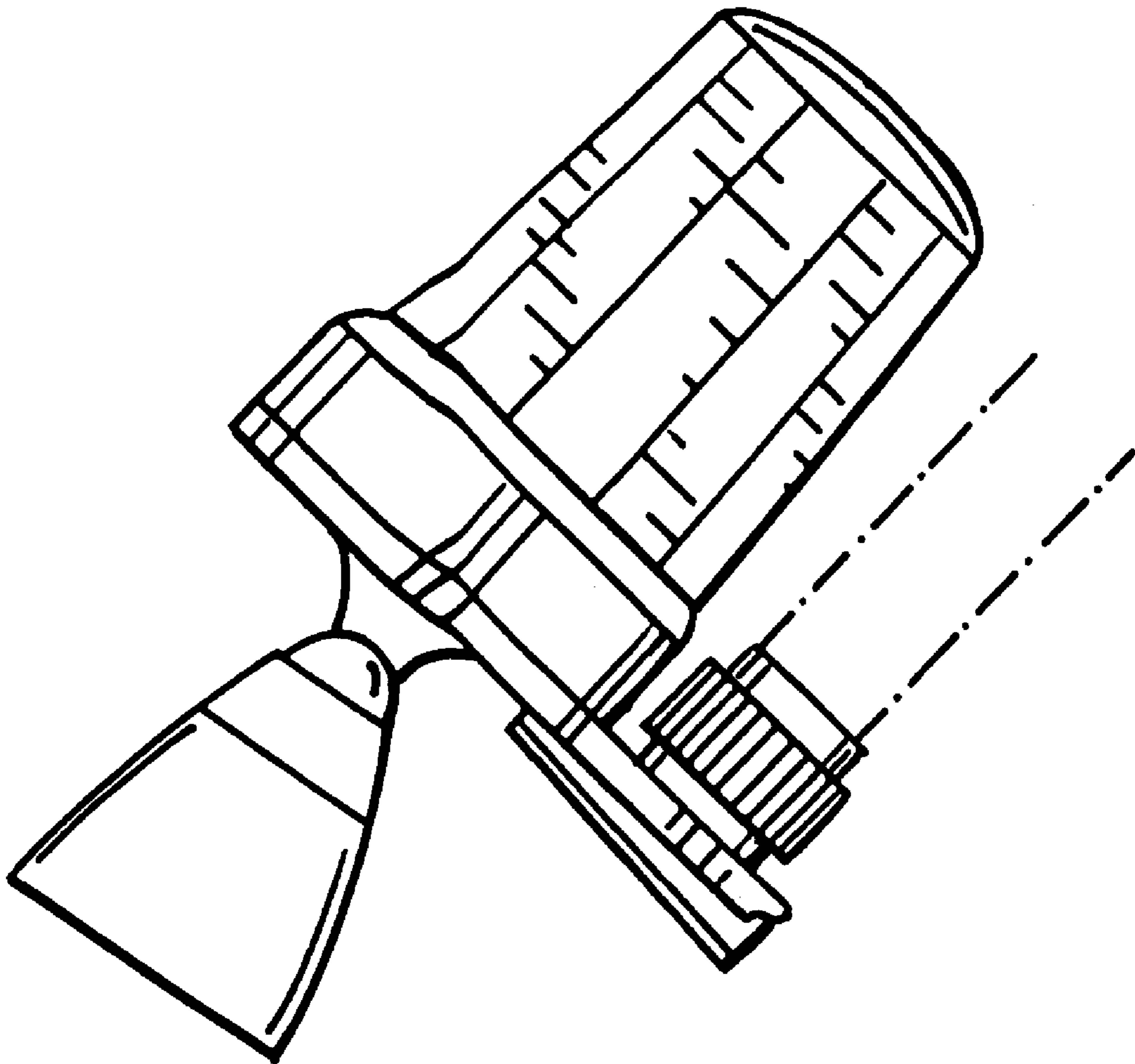
[57] **CLAIM**

The ornamental design for a combined showerhead and filter, as shown and described.

**DESCRIPTION**

FIG. 1 is a side elevational view of the combined showerhead and filter showing my new design in which the other side comprises a mirror image thereof;  
FIG. 2 is a top front perspective view thereof;  
FIG. 3 is a bottom, front perspective view of my inventive design;  
FIG. 4 is a top, rear perspective view thereof; and,  
FIG. 5 is a bottom rear perspective view of the invention.  
The broken lines shown in FIG. 1 is for illustrative purposes only and forms no part of the claimed design.

**1 Claim, 3 Drawing Sheets**



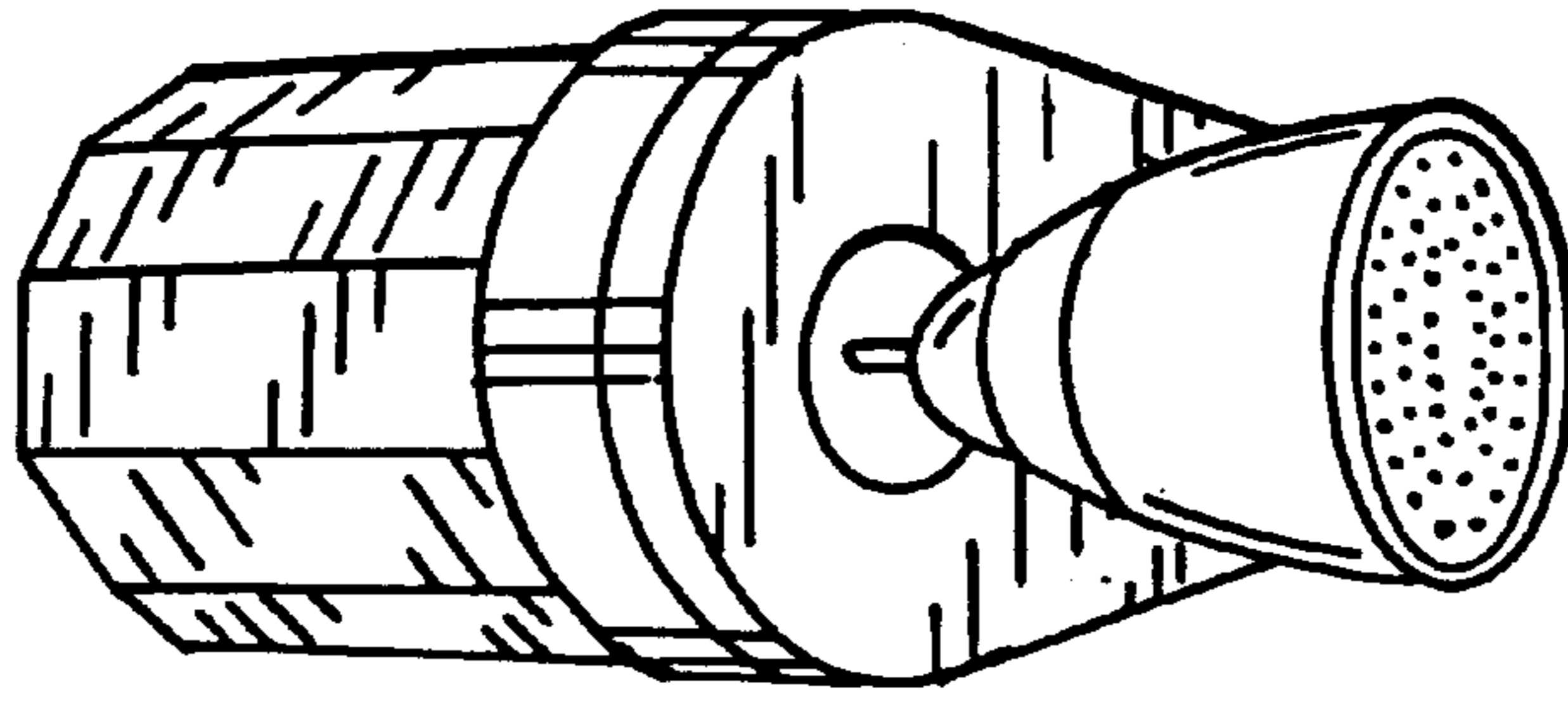


FIG. 2

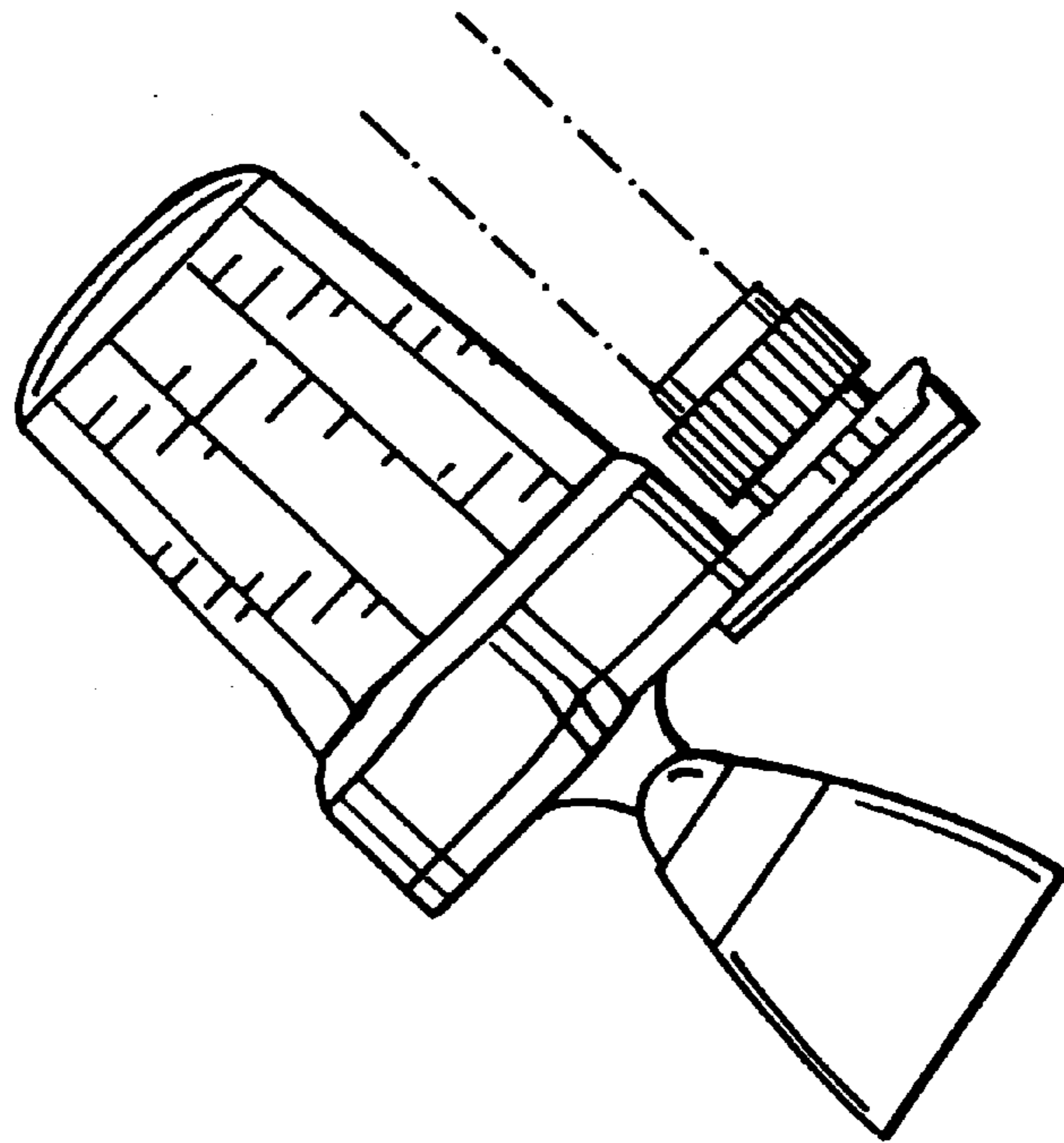


FIG. 1

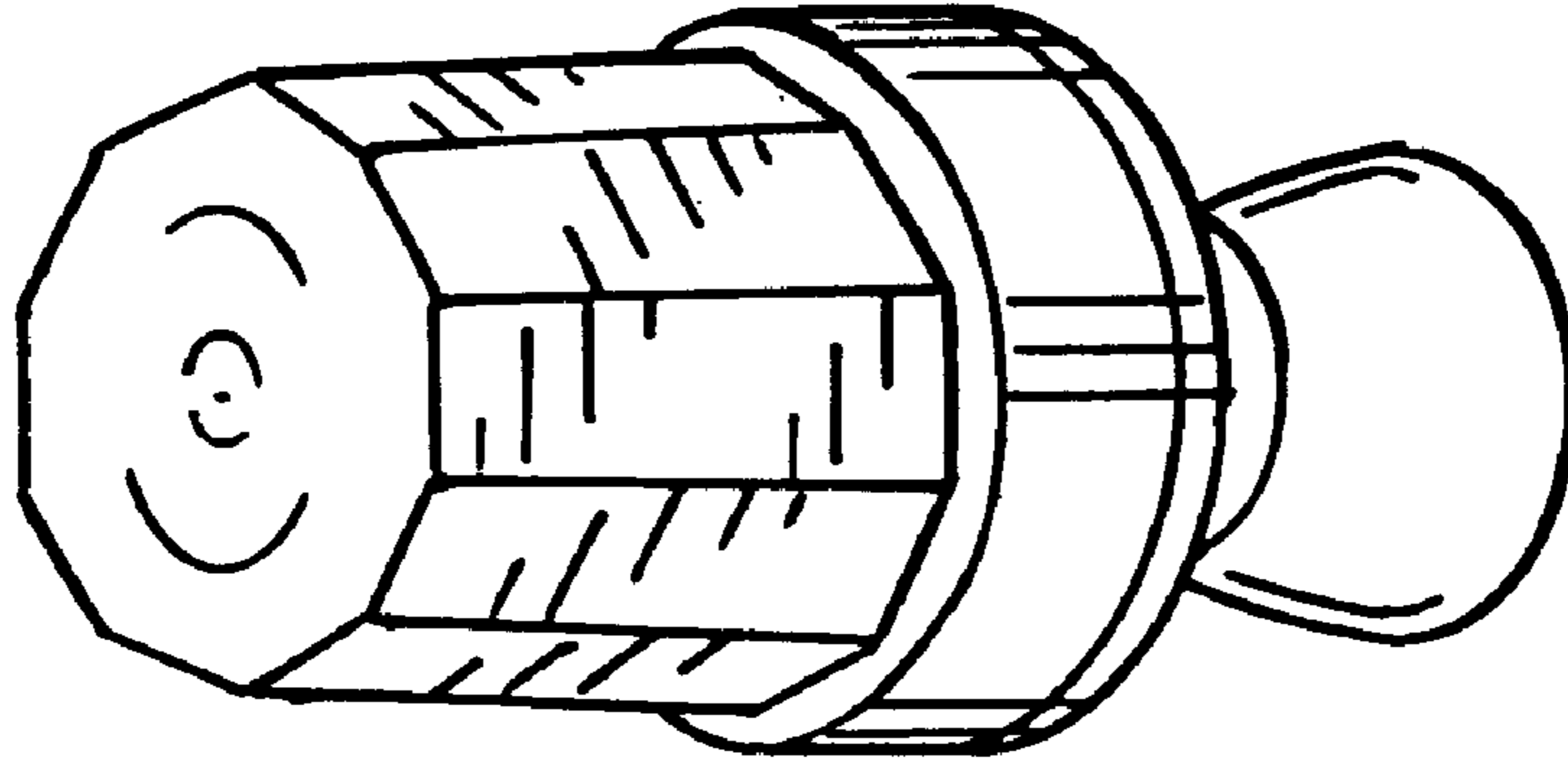


FIG. 4

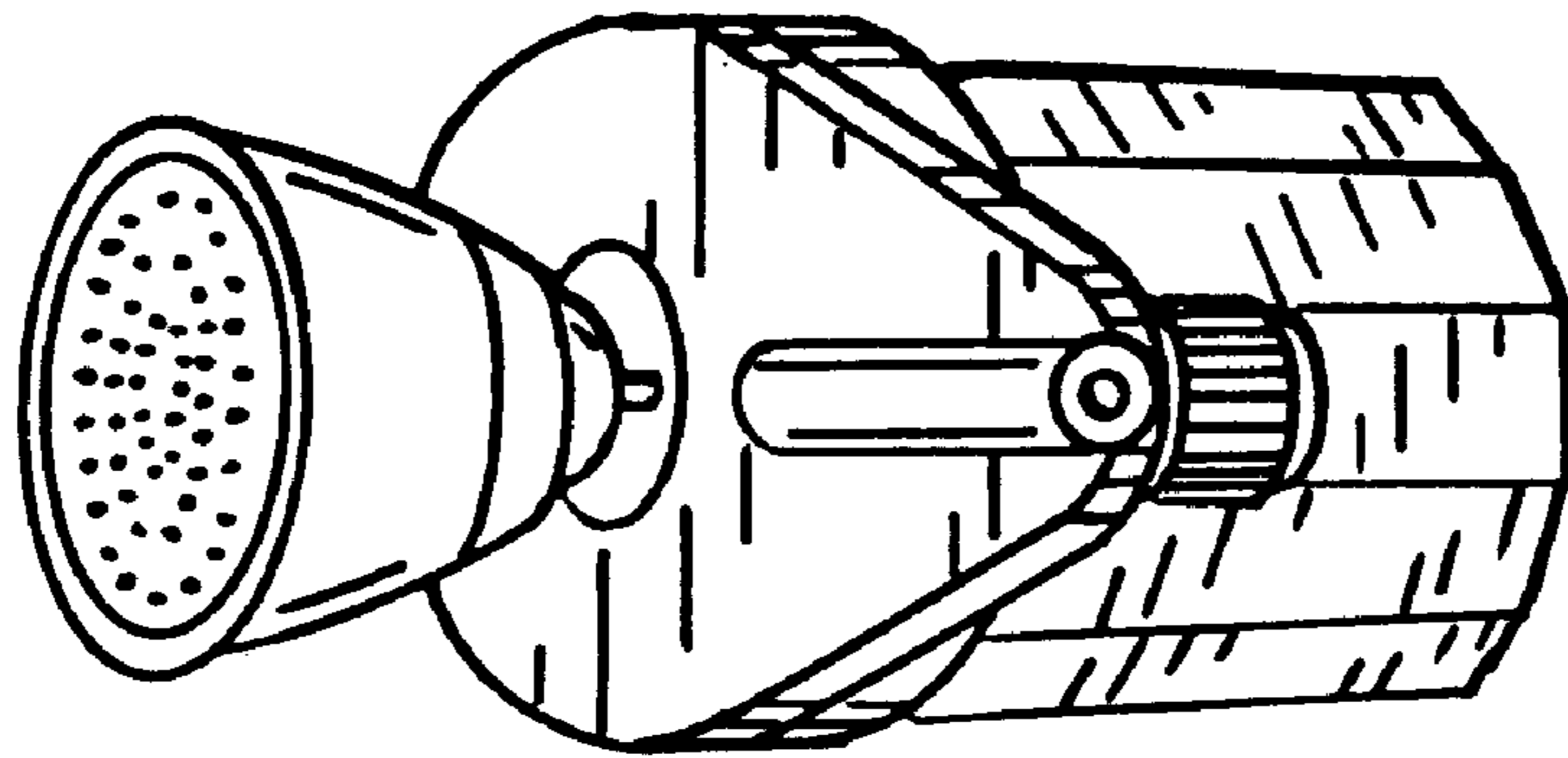


FIG. 3

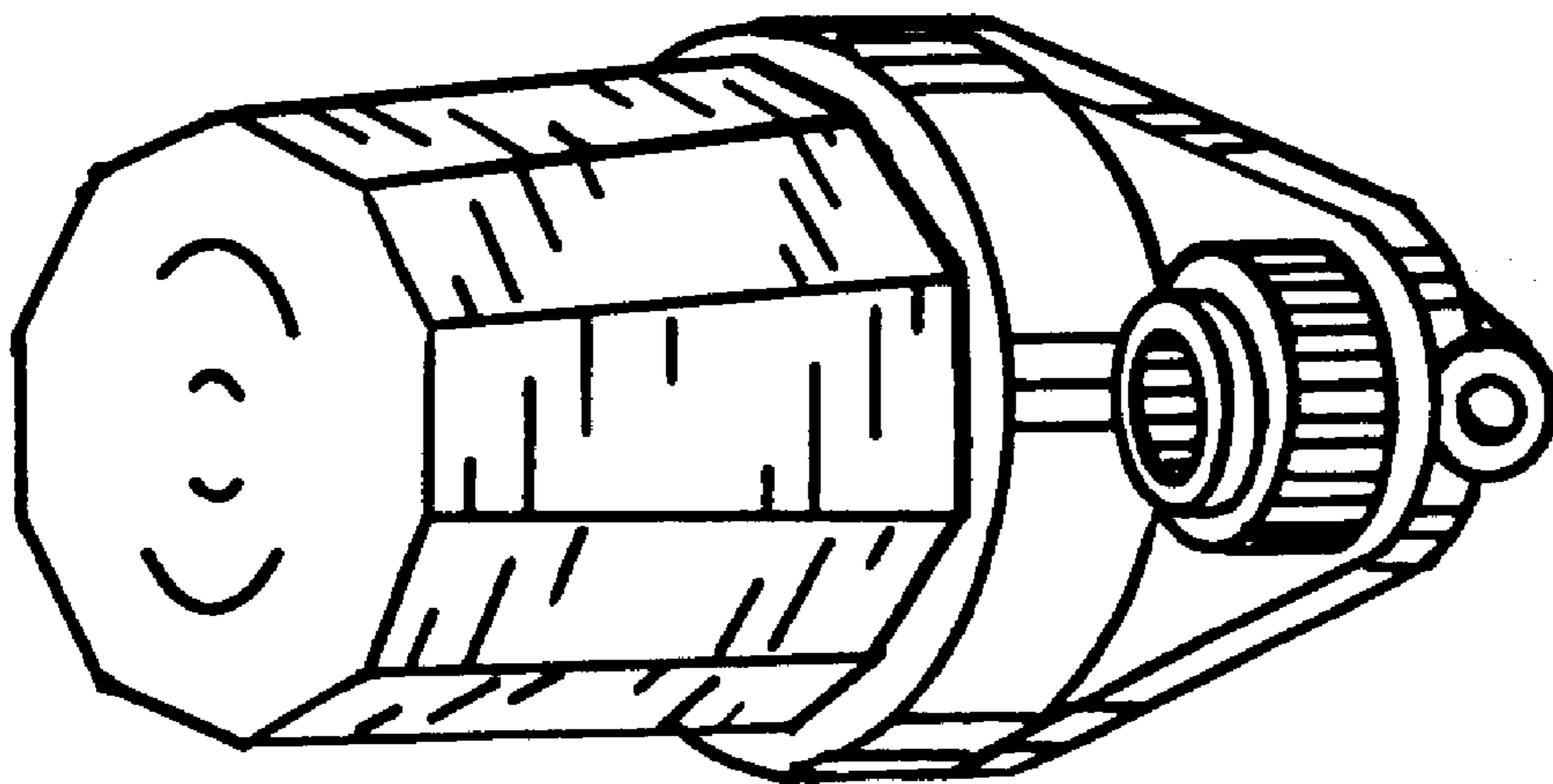


FIG. 5