



US00D413370S

United States Patent [19]

Kirn et al.

[11] **Patent Number: Des. 413,370**

[45] **Date of Patent: ** Aug. 31, 1999**

[54] **PLAY TUNNEL**

[75] Inventors: **S. Kenneth Kirn**, Vancouver, Wash.;
Michael B. Fox, Aloha, Oreg.

[73] Assignee: **Columbia Cascade Company**,
Portland, Oreg.

[**] Term: **14 Years**

[21] Appl. No.: **29/063,397**

[22] Filed: **Dec. 6, 1996**

[51] **LOC (6) Cl. 21-03**

[52] **U.S. Cl. D21/814**

[58] **Field of Search D21/240, 242;**
482/35, 36

[56] **References Cited**

U.S. PATENT DOCUMENTS

D. 219,603	12/1970	Wormser	D21/245
D. 340,498	10/1993	Warren et al.	D21/242
D. 341,644	11/1993	Petersheim	D21/242
D. 379,209	5/1997	Coddington, Jr.	D21/240
5,167,595	12/1992	Gleeson et al.	482/35
5,496,232	3/1996	Morris et al.	482/35

OTHER PUBLICATIONS

Columbia Cascade Tunnel Crawl Picture/Advertisement (1991).

Swing and Slide catalog; p. 15, Tower Tunnel, lower left of page, Aug. 1995.

Primary Examiner—Mitchell Siegel
Attorney, Agent, or Firm—Kolisch Hartwell Dickinson McCormack & Heuser

[57] **CLAIM**

The ornamental design for a play tunnel, as shown and described.

DESCRIPTION

FIG. 1 is a perspective view of a play tunnel showing our new design;

FIG. 2 is an end elevation view of the play tunnel of FIG. 1 the undisclosed side being identical;

FIG. 3 is a top plan view of the play tunnel of FIG. 1, the undisclosed side being identical; and,

FIG. 4 is a side elevation view of the play tunnel of FIG. 1, the undisclosed side being identical.

1 Claim, 1 Drawing Sheet

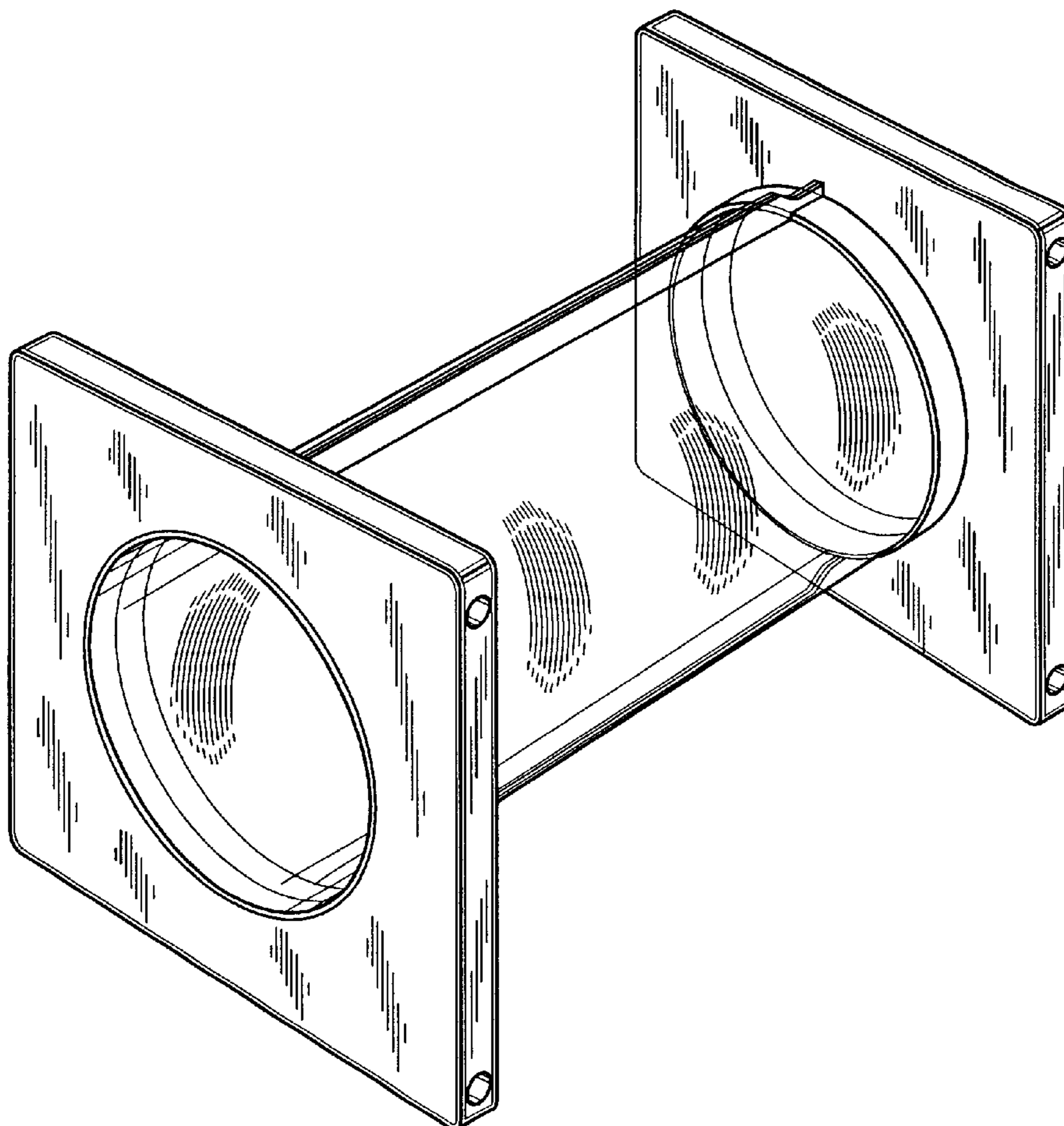


FIG. 1

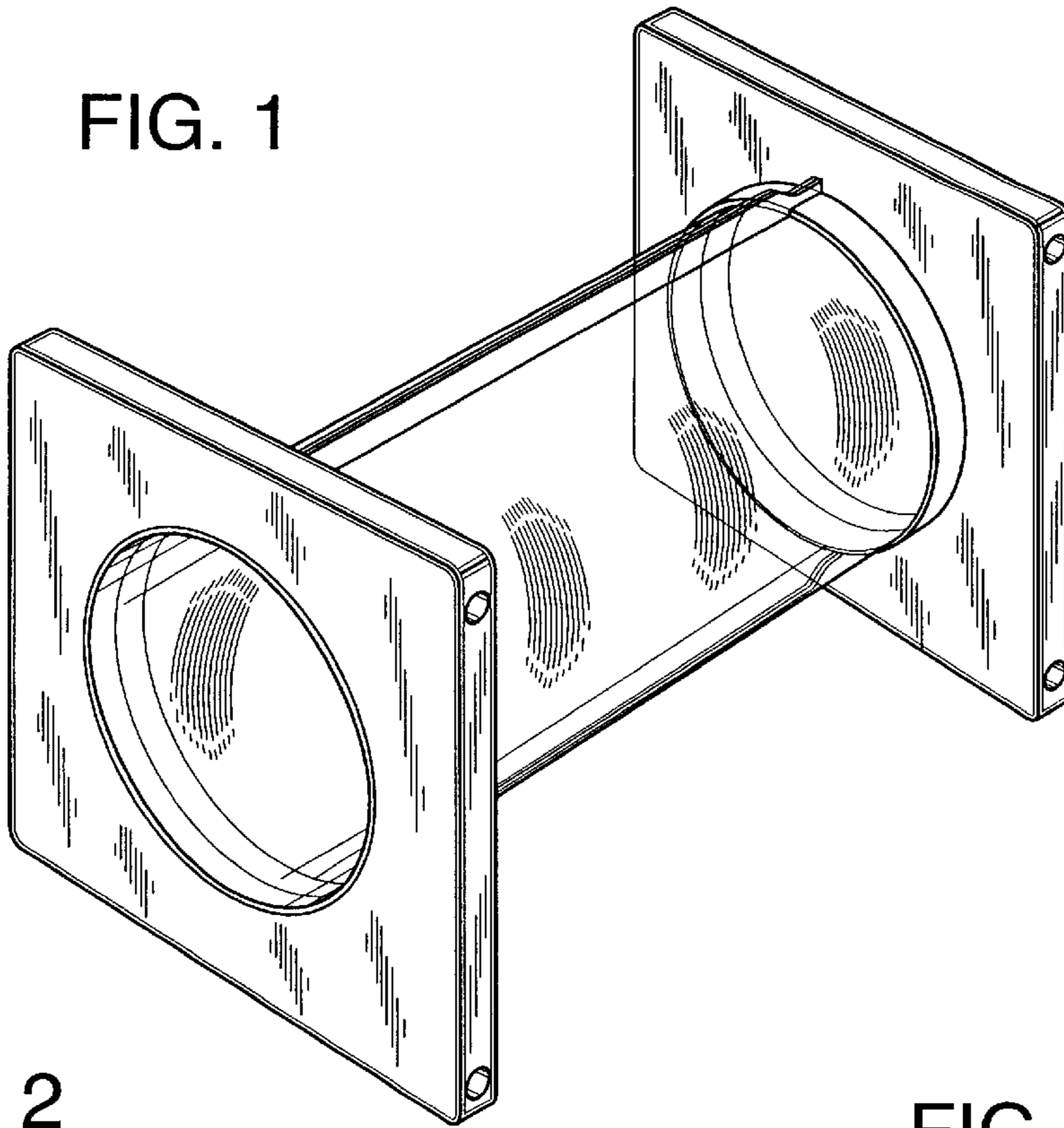


FIG. 2

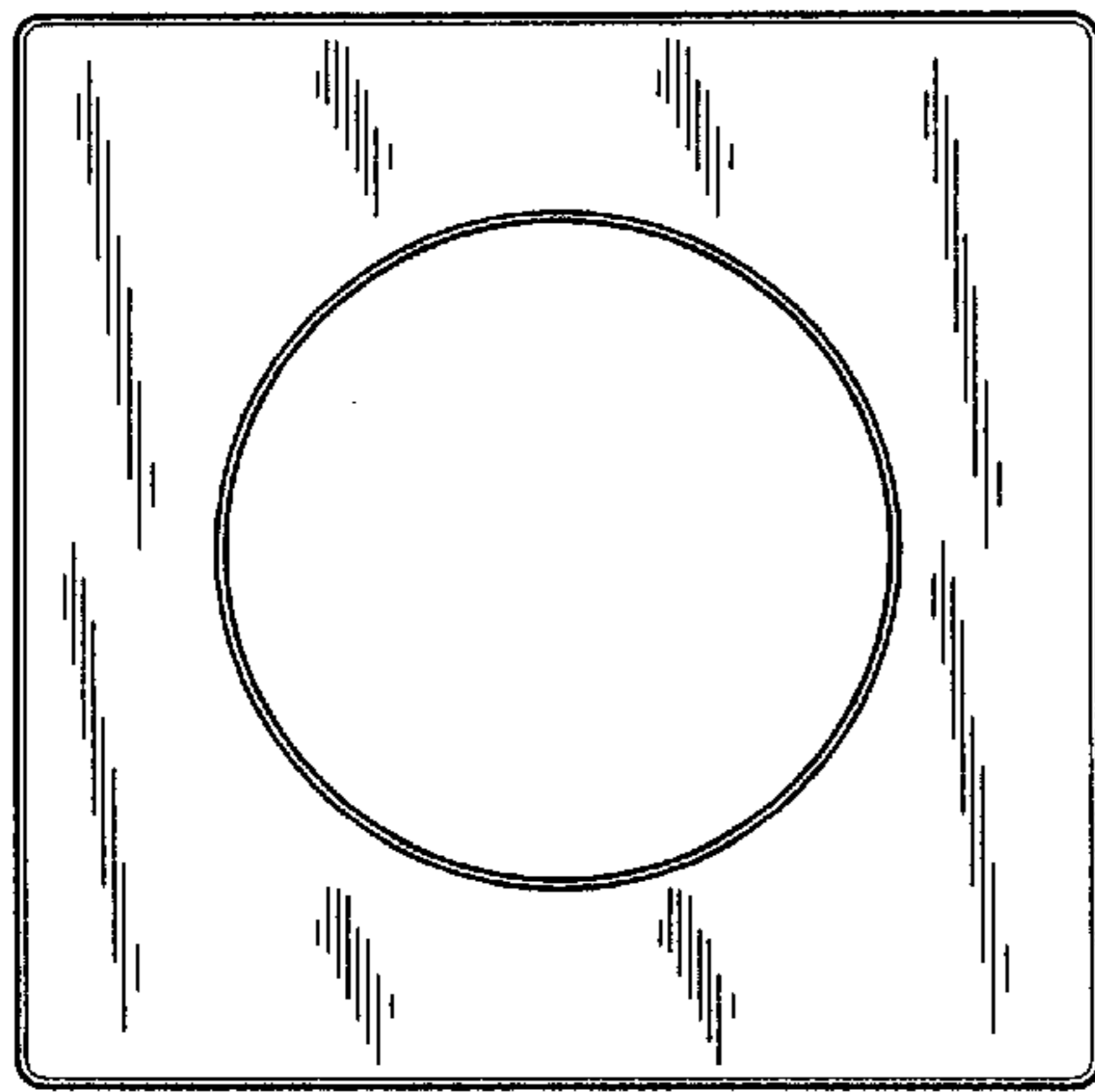


FIG. 3

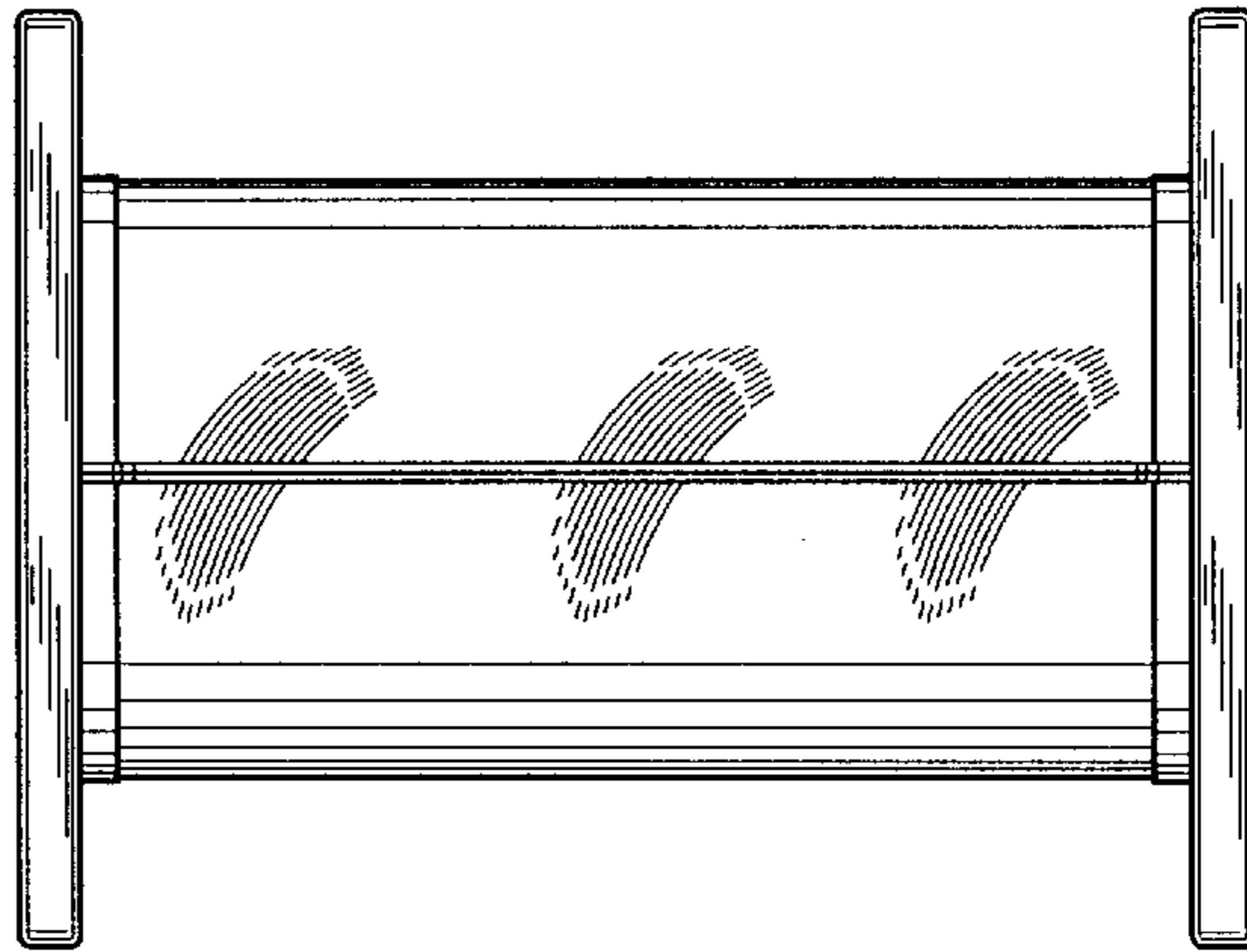


FIG. 4

